



US00D808037S

(12) **United States Design Patent**  
**Gavlak et al.**

(10) **Patent No.:** **US D808,037 S**  
(45) **Date of Patent:** **\*\* Jan. 16, 2018**

(54) **CANISTER ASSEMBLY**

(71) Applicant: **5x Surgical, LLC**, Atlanta, GA (US)

(72) Inventors: **William Gavlak**, Atlanta, GA (US);  
**Richard Grambergs**, Suwanee, GA (US);  
**Roland Krevitt**, Scotts Valley, CA (US);  
**Michael A. Fisher**, Lawrenceville, GA (US);  
**Michael J. Glatzer**, Atlanta, GA (US)

(73) Assignee: **5x Surgical, LLC**, Atlanta, GA (US)

(\*\*) Term: **15 Years**

(21) Appl. No.: **29/599,452**

(22) Filed: **Apr. 3, 2017**

**Related U.S. Application Data**

(63) Continuation of application No. 29/541,872, filed on Oct. 8, 2015, now Pat. No. Des. 783,176.

(51) **LOC (11) Cl.** ..... **24-02**

(52) **U.S. Cl.**  
USPC ..... **D24/224**; D24/121

(58) **Field of Classification Search**  
USPC ..... D24/108, 117, 121, 216, 224, 232;  
D3/203.1, 203.2; D10/81; D9/435-436,  
(Continued)

(56) **References Cited**

**U.S. PATENT DOCUMENTS**

D293,536 S \* 1/1988 Ritman ..... D7/531  
D305,360 S \* 1/1990 Fechtner ..... D24/226  
(Continued)

*Primary Examiner* — Ian Simmons

*Assistant Examiner* — Mark Cavanna

(74) *Attorney, Agent, or Firm* — KPPB LLP

(57) **CLAIM**

The ornamental design for a canister assembly, as shown and described.

**DESCRIPTION**

FIG. 1 is a top perspective view of an assembled canister assembly consisting of a base portion and a lid portion with the lid uncapped, showing our new design;

FIG. 2 is a bottom perspective view thereof;

FIG. 3 is a front side view thereof;

FIG. 4 is a back side view thereof;

FIG. 5 is a left side view thereof;

FIG. 6 is right side view thereof;

FIG. 7 is a top view thereof; and

FIG. 8 is a bottom view thereof.

FIG. 9 is a top perspective view of the lid portion of the canister assembly seen in FIG. 1 shown separately for clarity of illustration;

FIG. 10 is a bottom perspective view thereof;

FIG. 11 is a front side view thereof;

FIG. 12 is a back side view thereof;

FIG. 13 is a left side view thereof;

FIG. 14 is right side view thereof;

FIG. 15 is a top view thereof; and

FIG. 16 is a bottom view thereof.

FIG. 17 is a top perspective view of the base portion of the canister assembly seen in FIG. 1 shown separately for clarity of illustration;

FIG. 18 is a bottom perspective view thereof;

FIG. 19 is a front side view thereof;

FIG. 20 is a back side view thereof;

FIG. 21 is a left side view thereof;

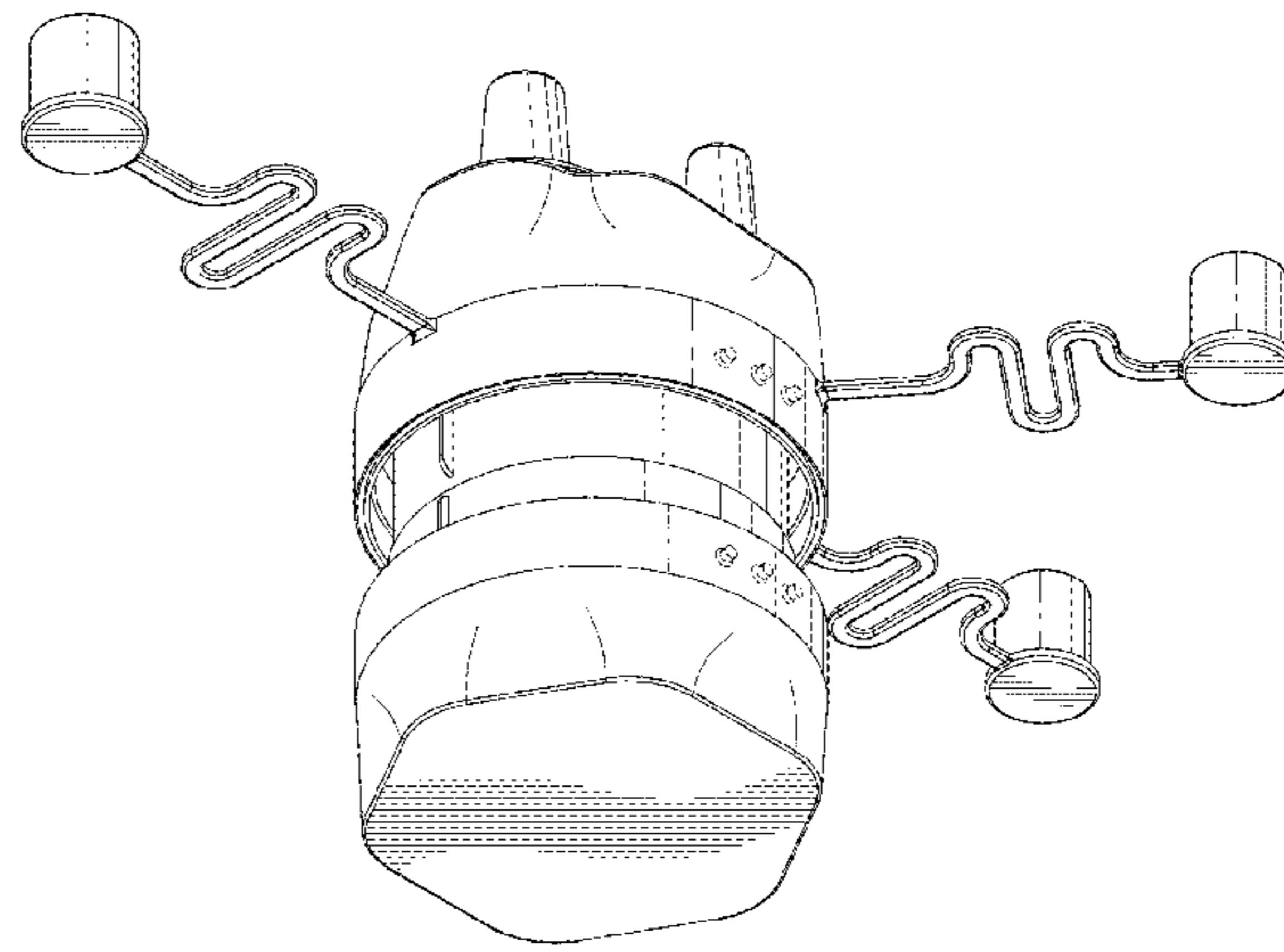
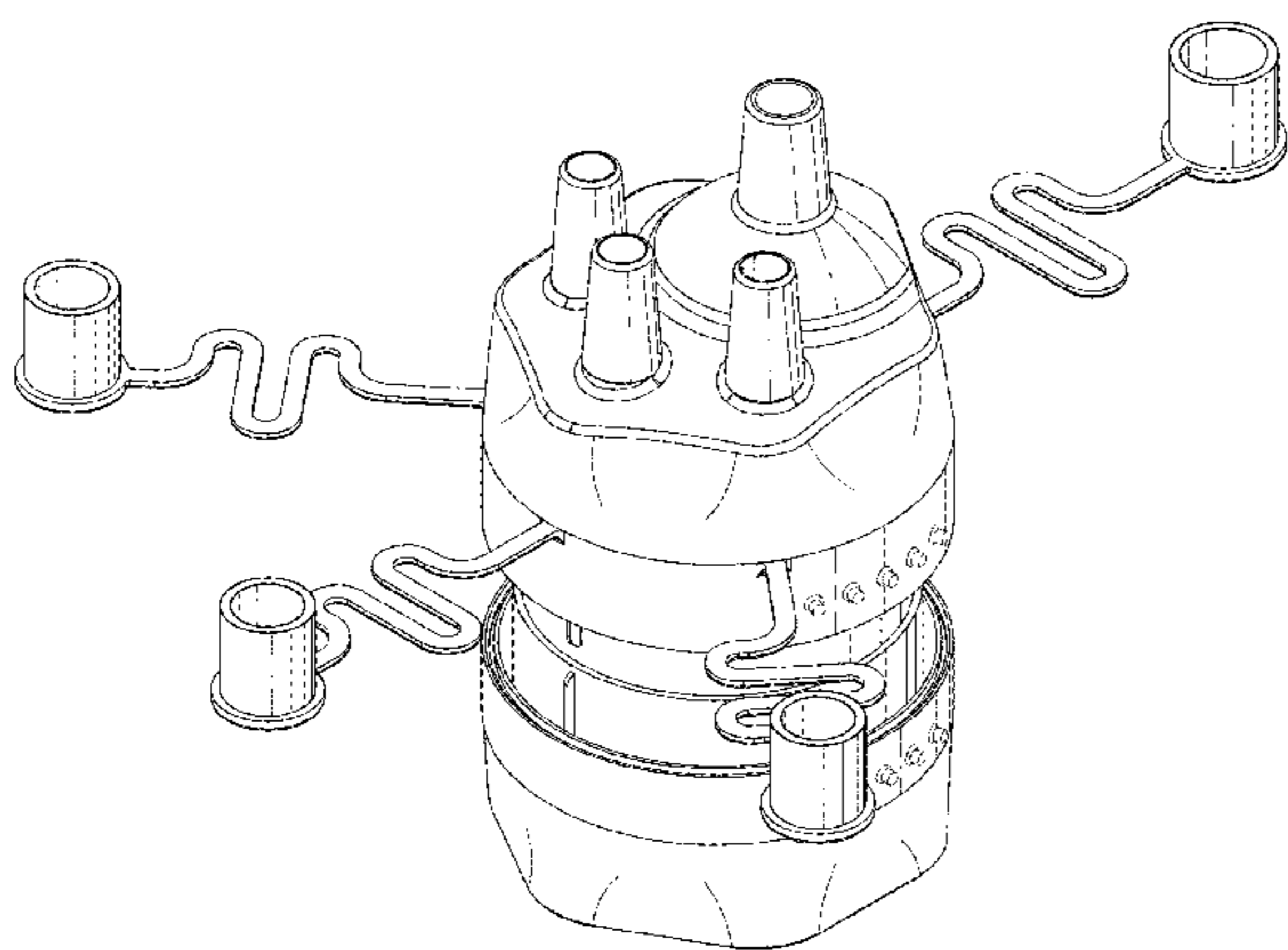
FIG. 22 is right side view thereof;

FIG. 23 is a top view thereof; and,

FIG. 24 is a bottom view thereof.

The broken lines are included for the purpose of illustrating portions of the canister assembly that form no part of the claimed design.

**1 Claim, 18 Drawing Sheets**



(58) **Field of Classification Search**

USPC ..... D9/446, 521; 422/400-401, 430, 68.1,  
 422/500, 527-528, 536, 547, 556, 559;  
 604/317, 319-326, 356; 215/136, 198.2,  
 215/232, 435; 435/289.1, 287.1, 288.1,  
 435/302.1, 304.1; 220/495.06;  
 210/198.2; D7/300.1, 590, 523, 543, 545;  
 600/582  
 CPC ..... A61G 7/001; A61G 7/015; A61G 7/05;  
 A61G 7/05707; A61G 7/05715; A61G  
 7/05738; A61G 7/05769; A61G 7/05776;  
 A61G 7/0755; A61B 10/007; A61L 11/00;  
 A61M 1/00; A61M 1/0001; A61M  
 1/0003; A61M 1/0005; A61M 1/0007;  
 A61M 1/0011; A61M 1/0015; A61M  
 1/0017; A61M 1/0023; A61M 1/0025;  
 A61M 1/0031; A61M 1/0035; A61M  
 1/0043; A61M 1/0049; A61M 1/005;  
 A61M 1/0052; A61M 1/0056; A61M  
 1/0058; A61M 1/0062; A61M 1/0066;  
 A61M 1/008; A61M 1/0096; A61M  
 1/0098; A61M 39/02; A61M 39/06;  
 A61M 39/12; A61M 39/22; A61M  
 39/223; A61M 39/24; A61M 39/28;  
 A61M 5/1408; B01D 15/22; B01D 29/01;  
 B01D 29/018; B01D 29/03; B01D 29/05;  
 B01D 29/085; B01D 29/114; B01D  
 29/17; B01D 29/23; B01D 29/27; B01D  
 29/35; B01D 29/908; B01D 35/153;  
 B01D 35/30; B01F 11/0082; B08B 9/02;  
 B08B 9/08; B08B 9/0813; B08B 9/0826;  
 B08B 9/093; B08B 9/0936; B09B 3/0075;  
 B09B 3/0091; B09B 3/26; B63B 13/00;  
 B63B 13/02

See application file for complete search history.

(56) **References Cited**

U.S. PATENT DOCUMENTS

D351,904 S \* 10/1994 Maze ..... D24/224  
 D355,260 S \* 2/1995 Tomasso ..... D24/224

D370,263 S \* 5/1996 Falkenberg ..... D24/108  
 D400,263 S \* 10/1998 Shugart ..... D24/224  
 6,387,256 B1 \* 5/2002 Tuvim ..... B01D 15/22  
 210/198.2  
 D461,684 S \* 8/2002 Wilson ..... D7/523  
 D483,613 S \* 12/2003 Gluck ..... D7/509  
 D485,365 S \* 1/2004 Py ..... D24/121  
 D500,856 S \* 1/2005 Hellstrom ..... D10/81  
 D505,494 S \* 5/2005 Py ..... D24/121  
 D522,145 S \* 5/2006 Best ..... D10/81  
 D543,787 S \* 6/2007 Wasserman ..... D7/565  
 D552,423 S \* 10/2007 Friedland ..... D7/543  
 D561,907 S \* 2/2008 Py ..... D24/224  
 D561,908 S \* 2/2008 Py ..... D24/224  
 D569,008 S \* 5/2008 Lundqvist ..... D24/232  
 D578,829 S \* 10/2008 Freeman ..... D7/584  
 D578,879 S \* 10/2008 Friedland ..... D7/545  
 D601,912 S \* 10/2009 Gebauer ..... D10/81  
 7,615,037 B2 \* 11/2009 Murray ..... A61M 1/0001  
 604/319  
 D607,118 S \* 12/2009 Py ..... D24/224  
 7,806,879 B2 \* 10/2010 Brooks ..... A61M 1/0001  
 604/317  
 D630,765 S \* 1/2011 Winkenbach ..... D24/224  
 D641,866 S \* 7/2011 Burgess ..... D24/121  
 D642,260 S \* 7/2011 Hendricks ..... D24/121  
 8,100,874 B1 \* 1/2012 Jordan ..... A61M 1/0001  
 604/19  
 D656,622 S \* 3/2012 Gasser ..... D24/224  
 D665,283 S \* 8/2012 Nishimoto ..... D10/81  
 D673,814 S \* 1/2013 Honein ..... D7/590  
 D678,502 S \* 3/2013 Schmidt ..... D24/108  
 D678,544 S \* 3/2013 Mueller ..... D24/216  
 D679,148 S \* 4/2013 Schwartz ..... D7/629  
 D687,304 S \* 8/2013 Tanner ..... D24/121  
 D690,826 S \* 10/2013 Kuroda ..... D24/224  
 D702,474 S \* 4/2014 Scherer ..... D7/300.1  
 D720,468 S \* 12/2014 Calderwood ..... D24/224  
 D731,672 S \* 6/2015 Kuroda ..... D24/224  
 D735,880 S \* 8/2015 Bargh ..... D24/224  
 D748,776 S \* 2/2016 Brannon ..... D24/121  
 D748,813 S \* 2/2016 Ishiguro ..... D24/224  
 9,322,748 B1 \* 4/2016 Kimsey, II ..... A61M 1/0007  
 2003/0008389 A1 \* 1/2003 Carll ..... B01F 11/0082  
 435/302.1  
 2008/0015526 A1 \* 1/2008 Reiner ..... A61M 1/0001  
 604/320

\* cited by examiner

FIG. 1

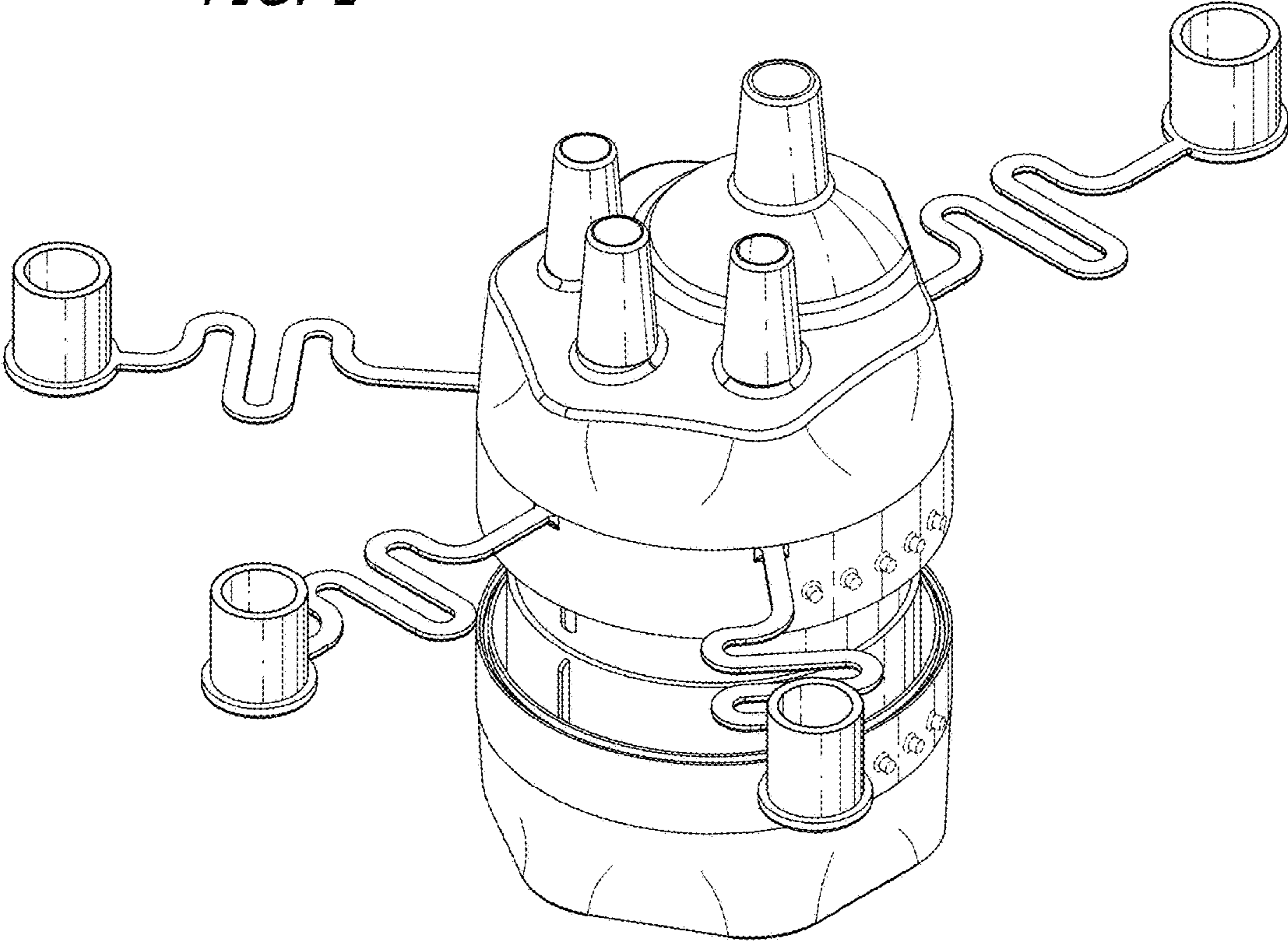
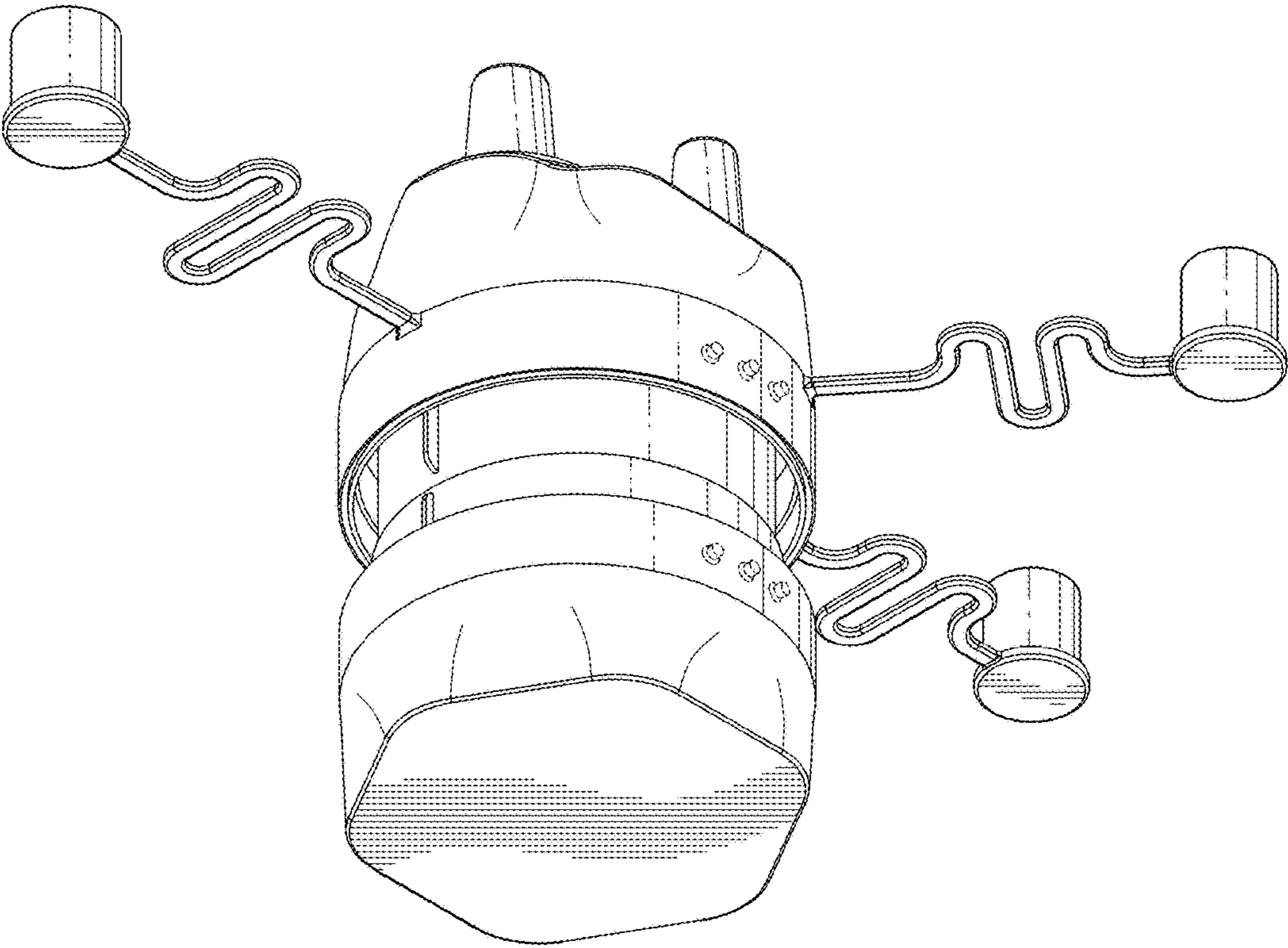


FIG. 2



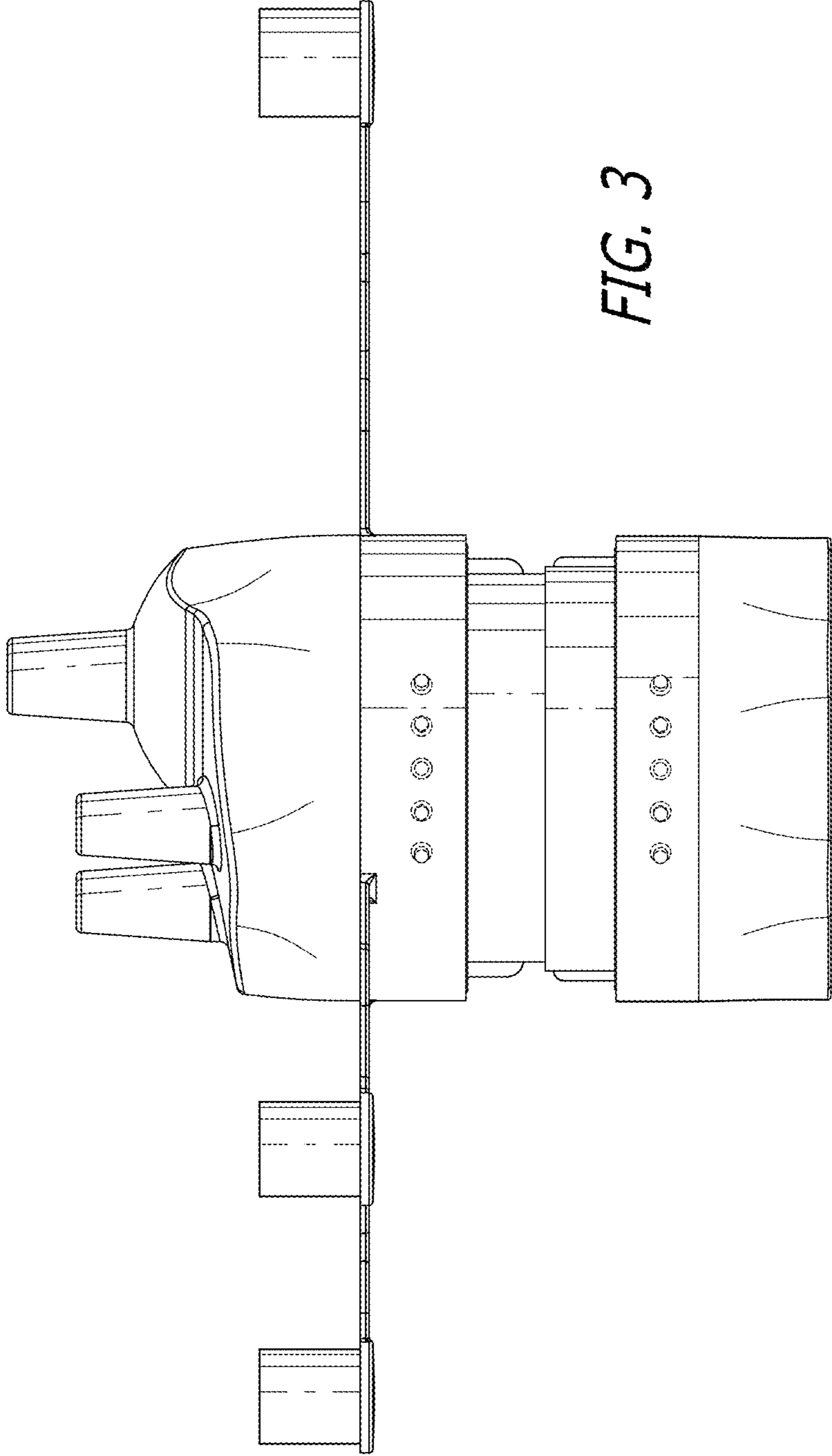


FIG. 3

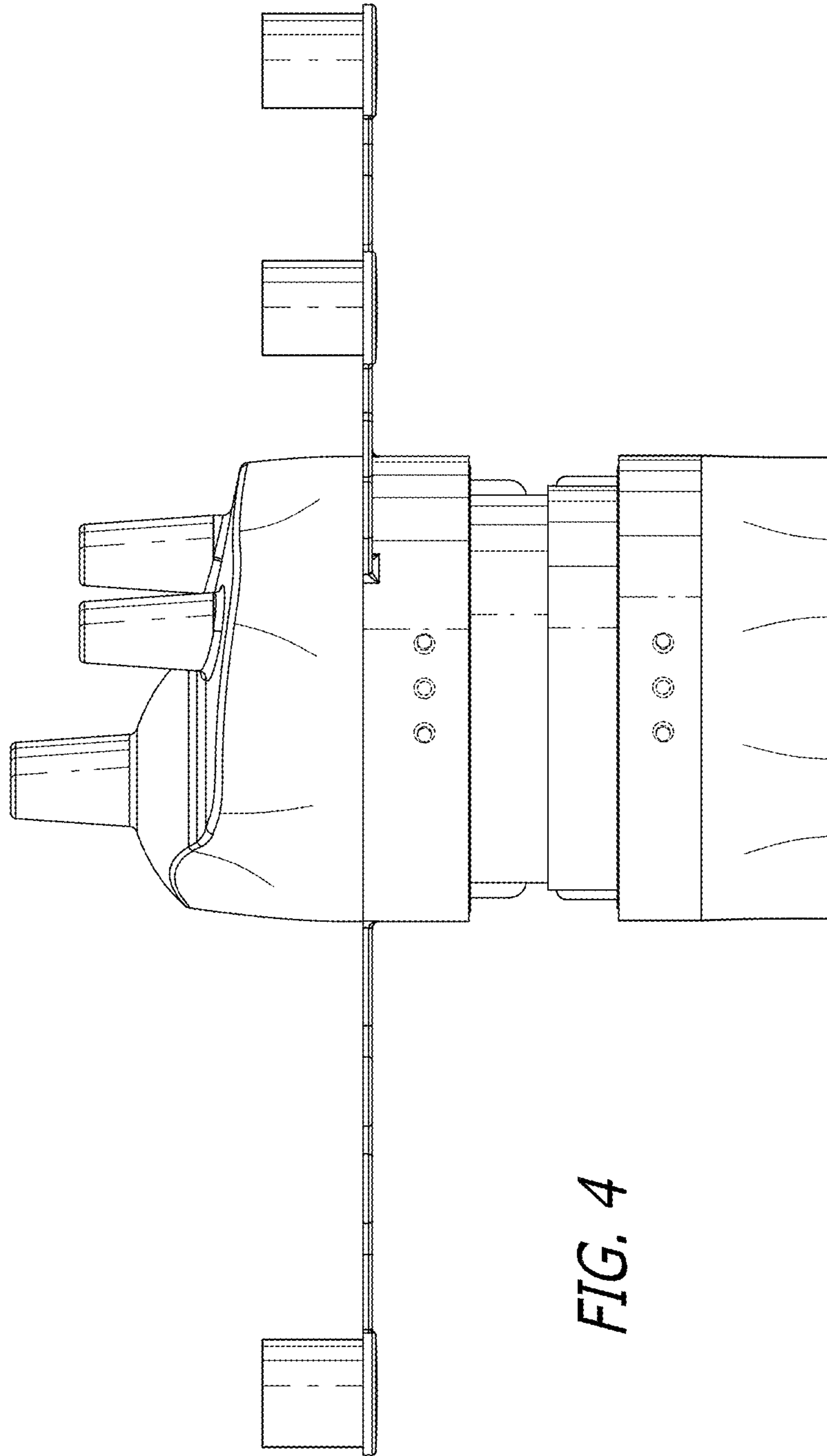
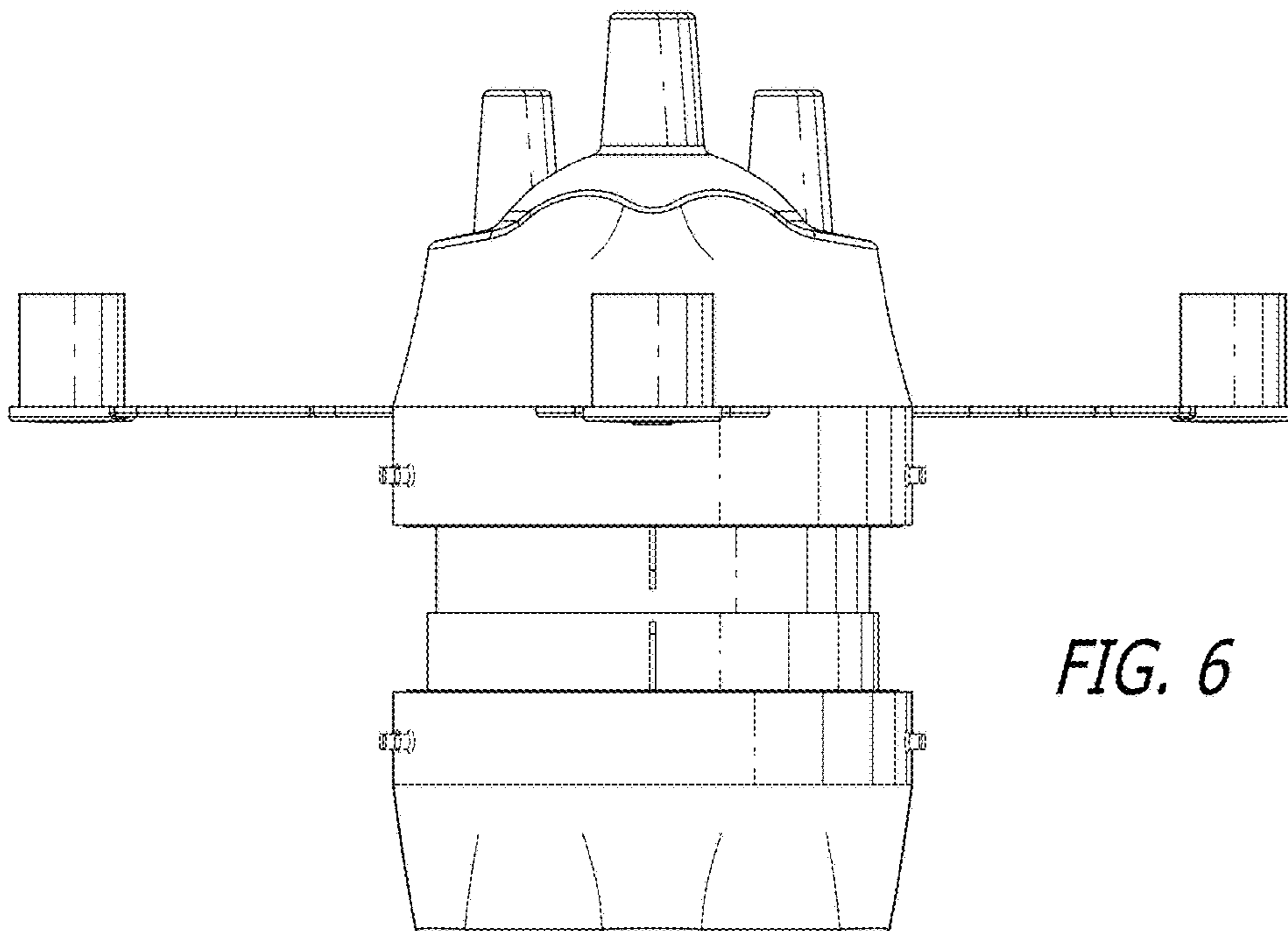
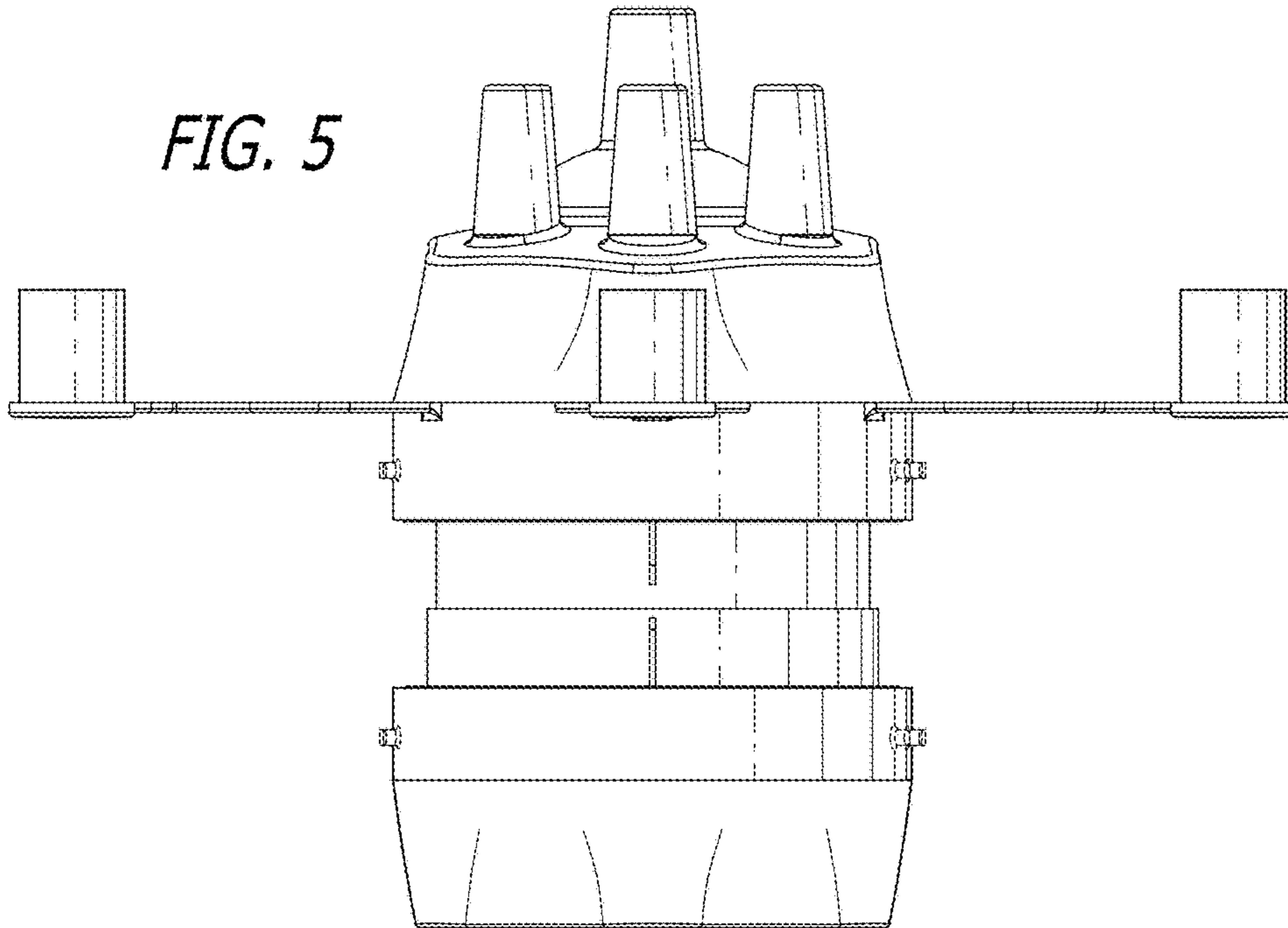


FIG. 4

*FIG. 5*



*FIG. 6*

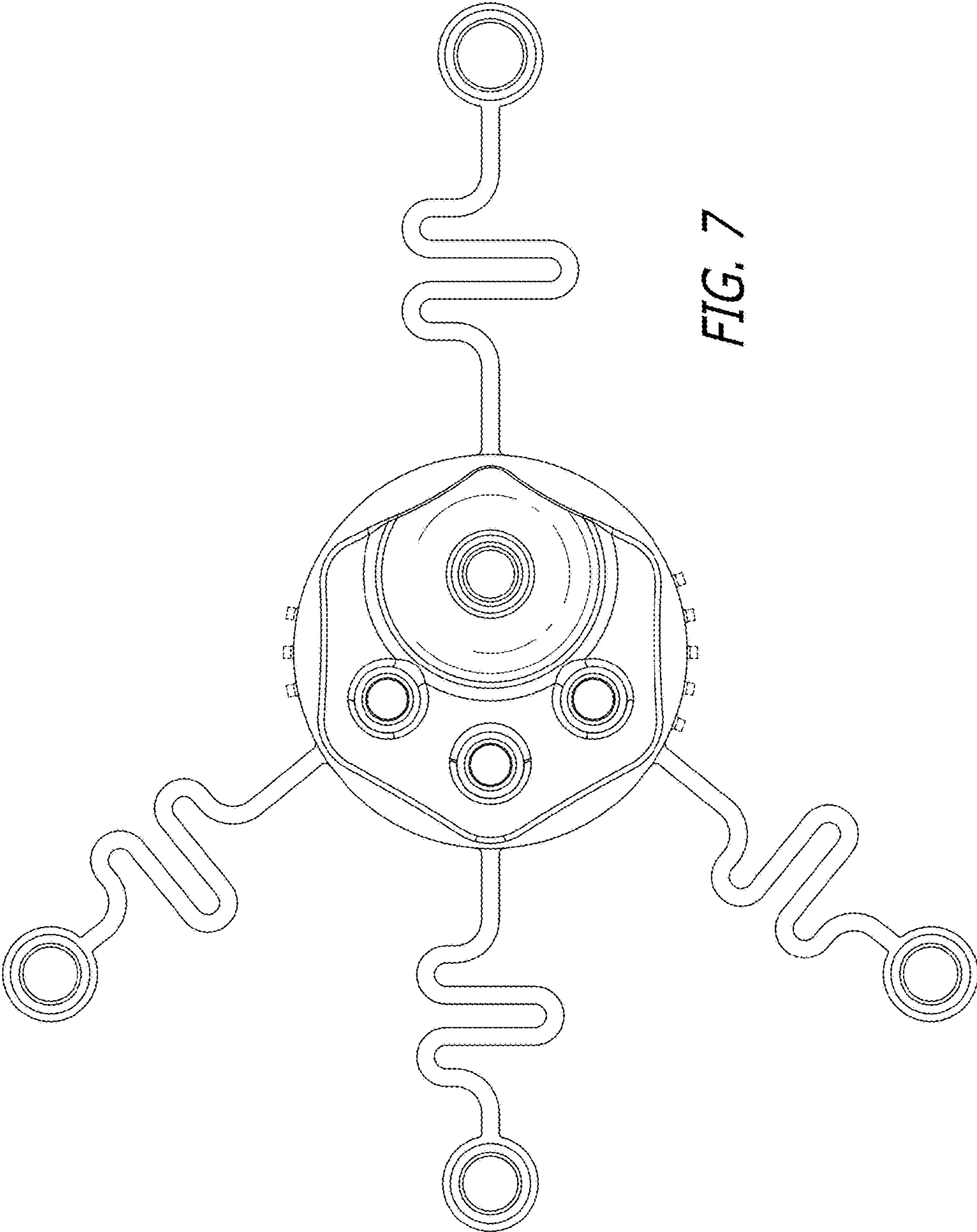


FIG. 7



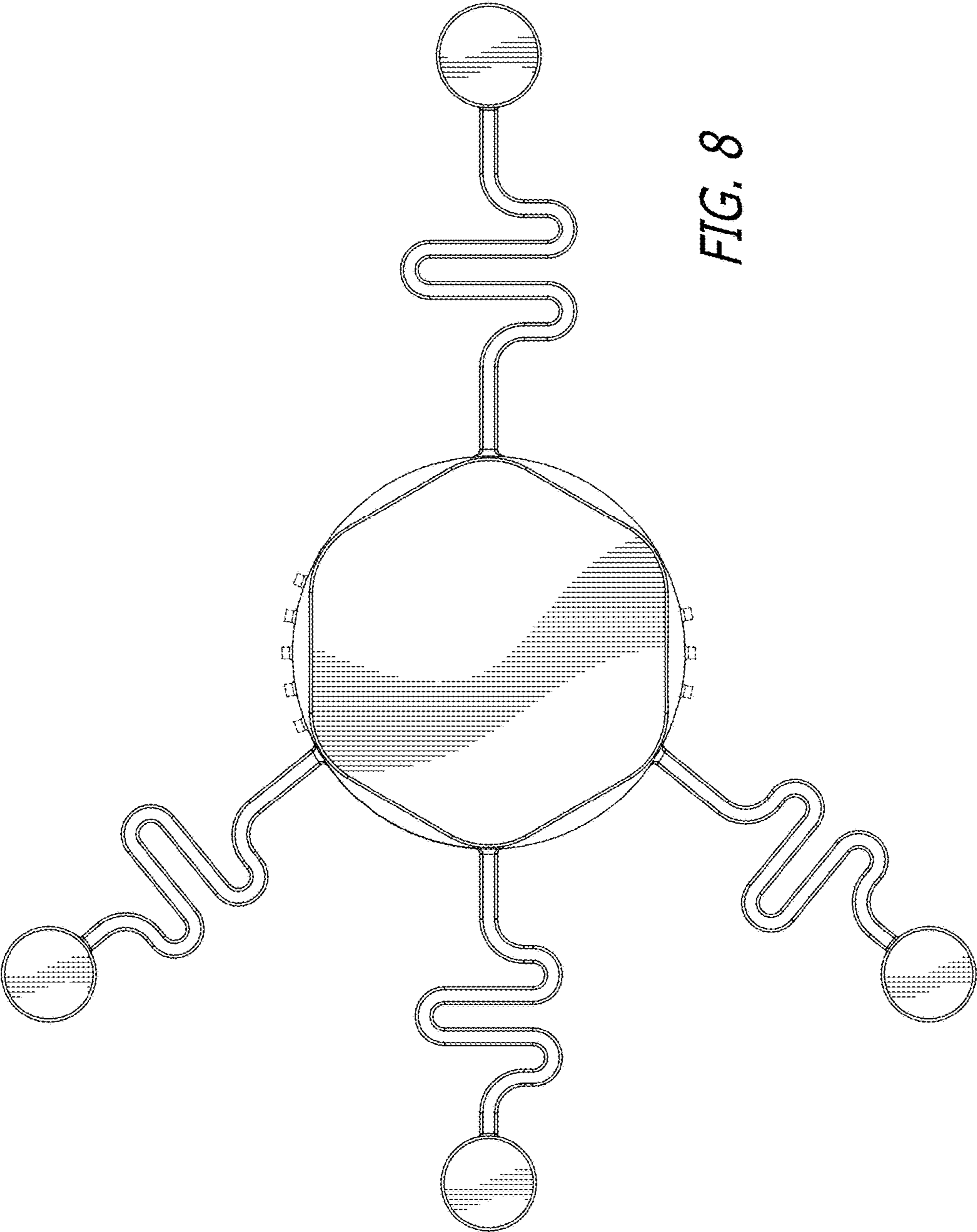
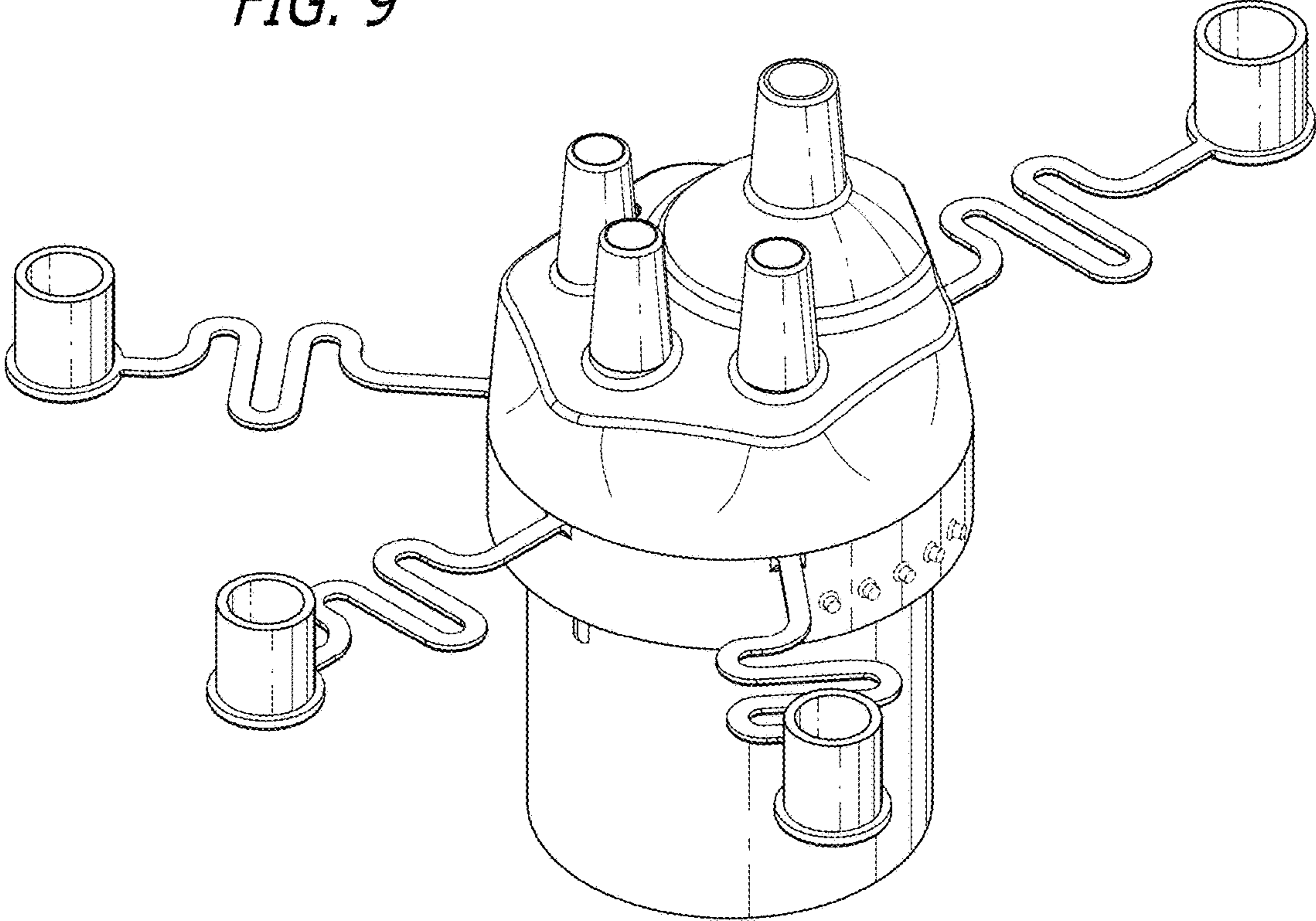


FIG. 8

FIG. 9



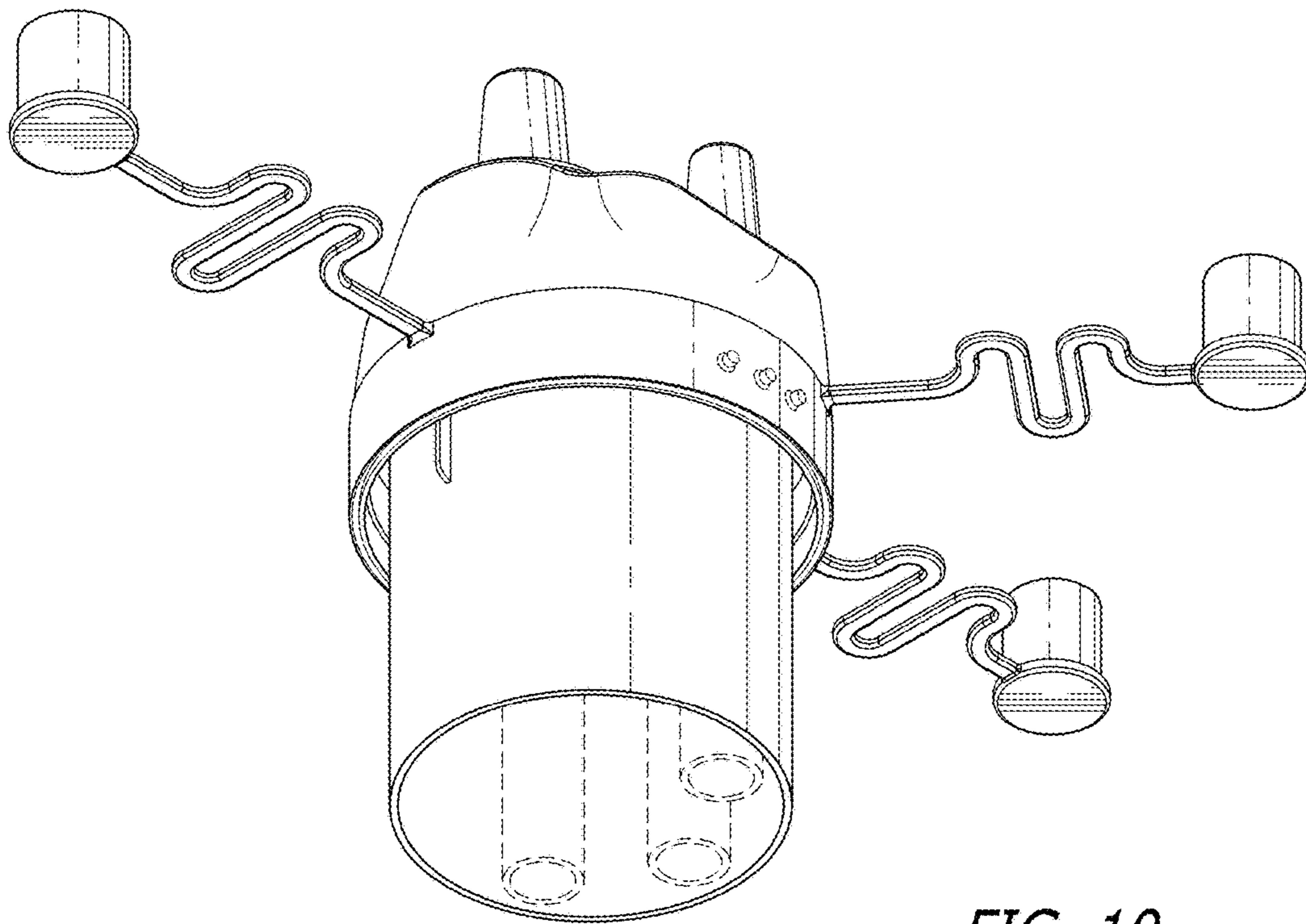


FIG. 10

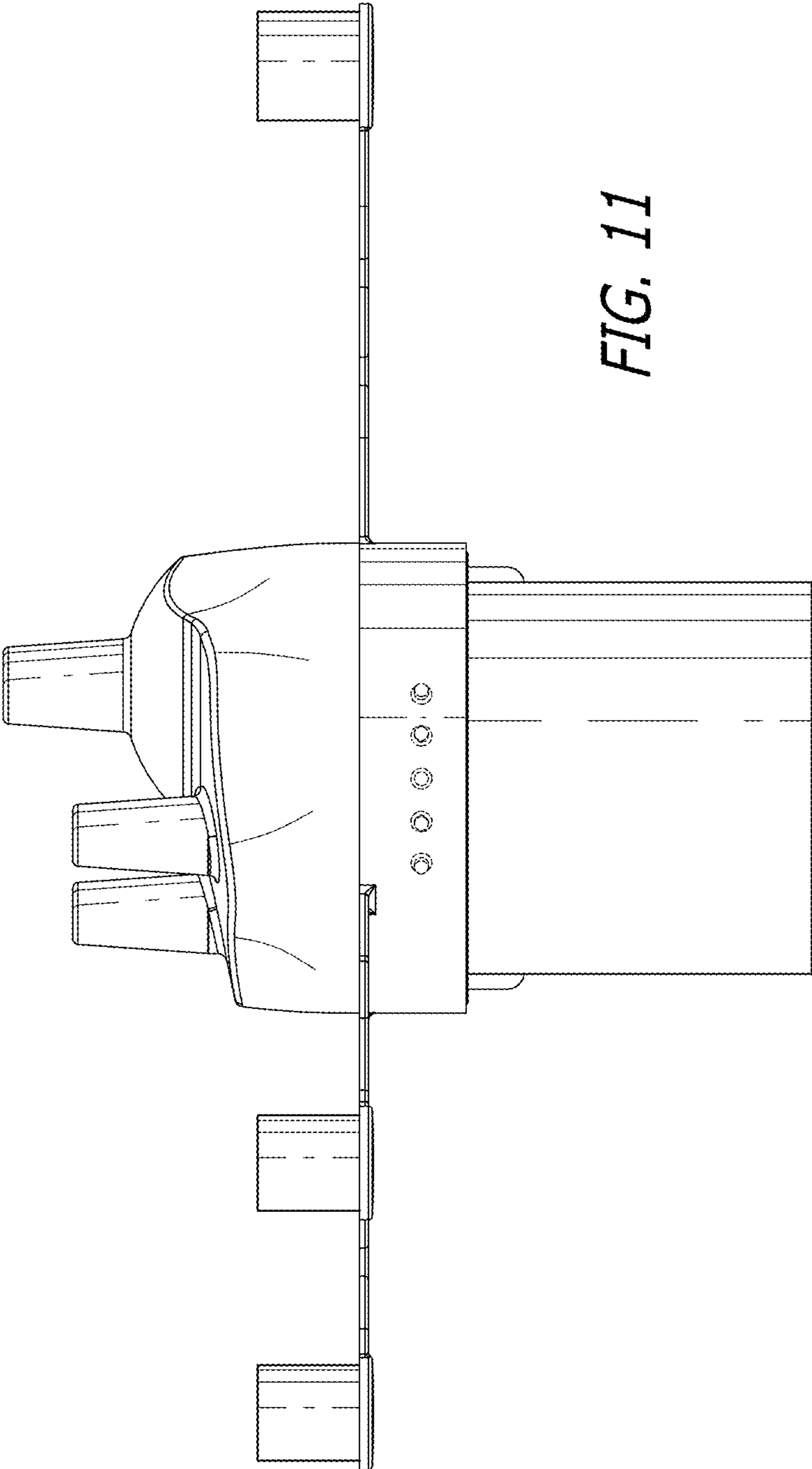


FIG. 11

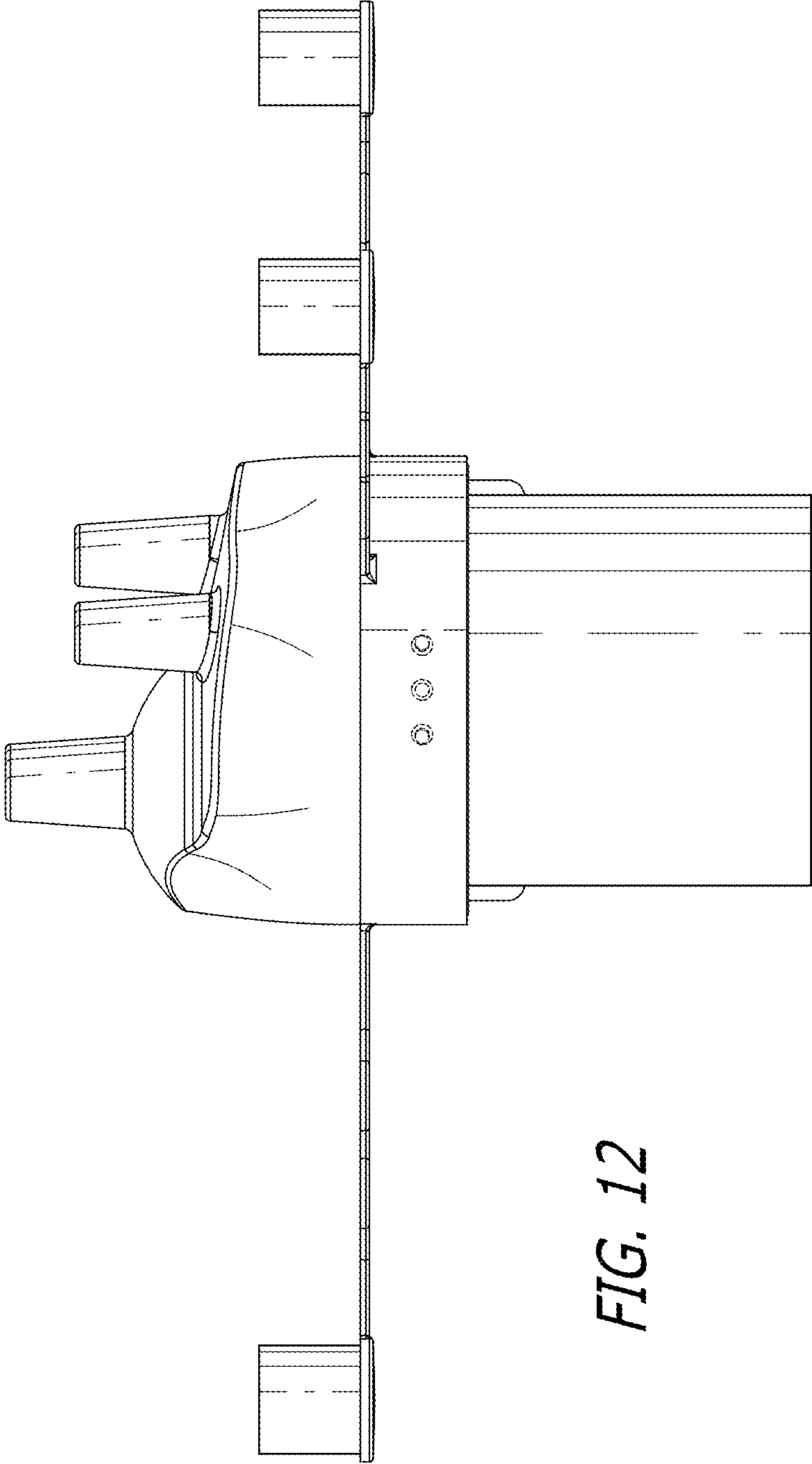
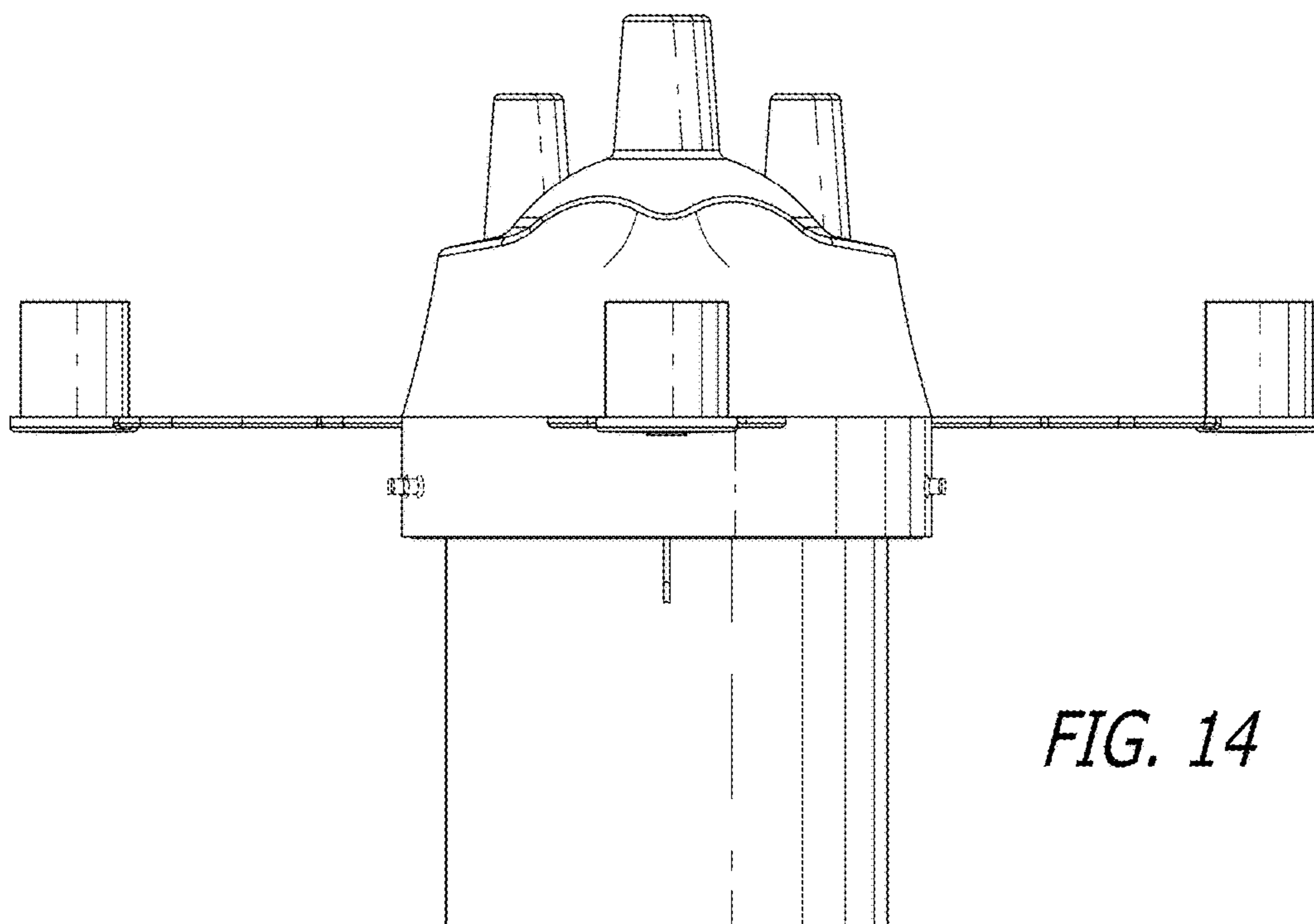
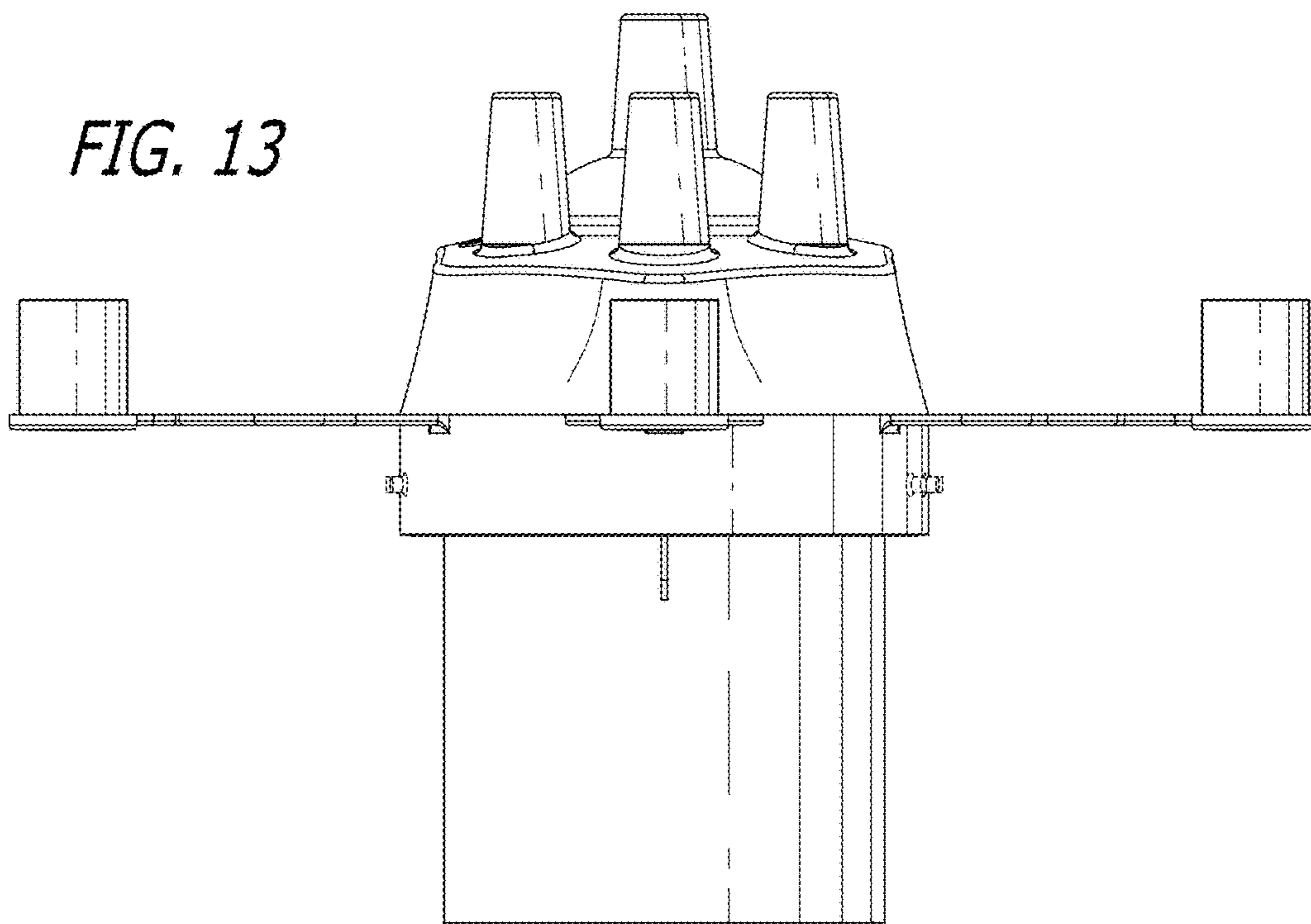


FIG. 12

*FIG. 13*



*FIG. 14*

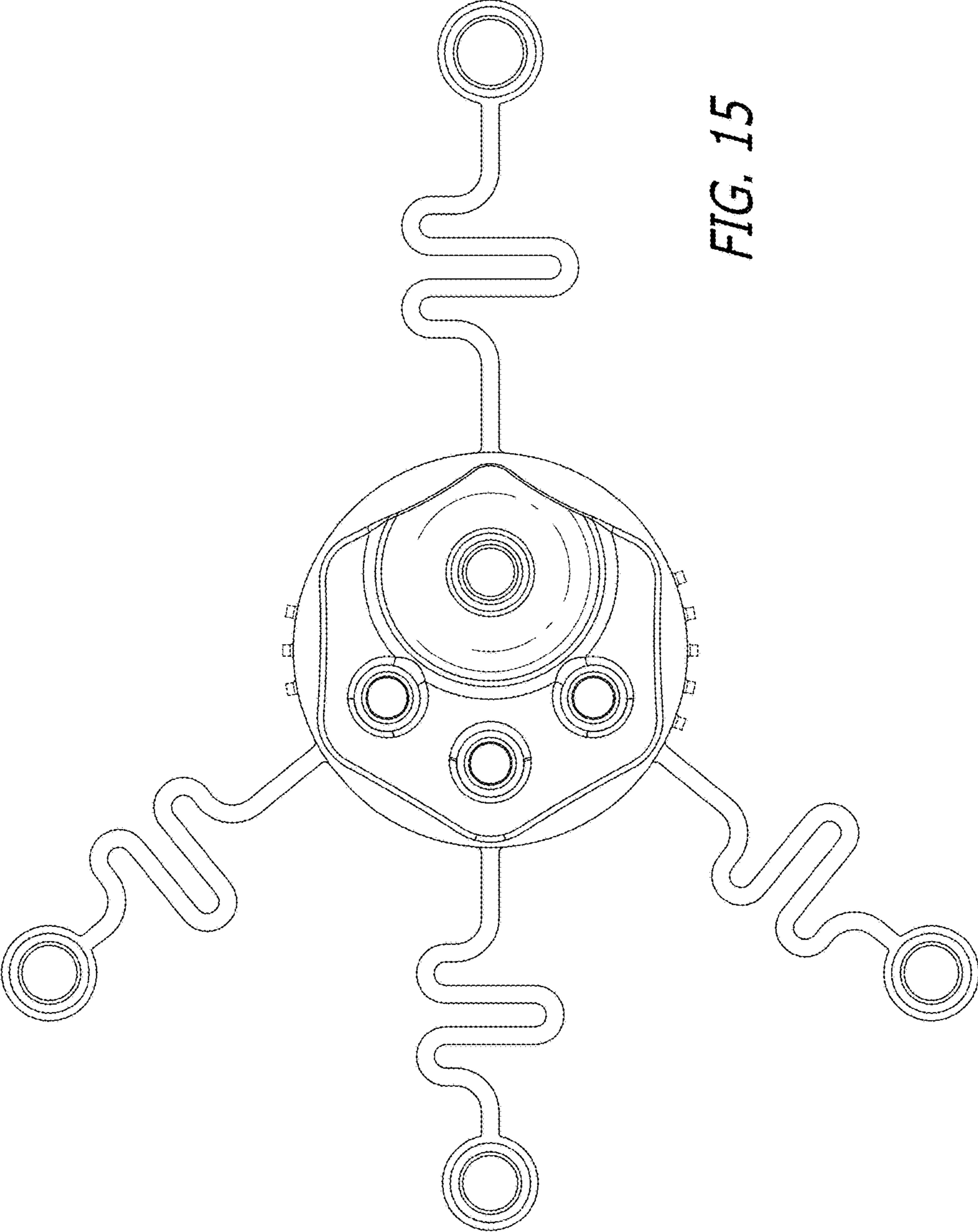


FIG. 15

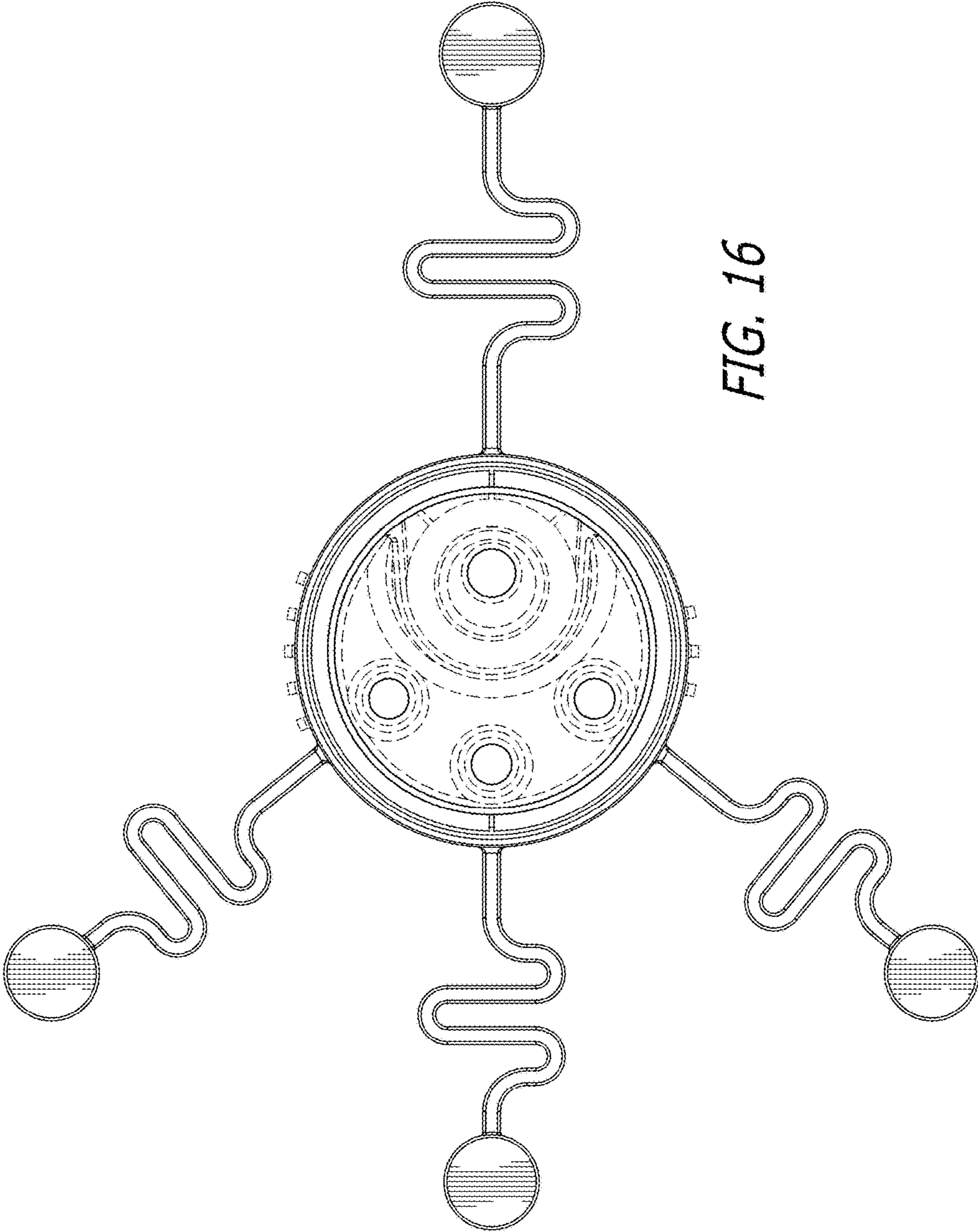
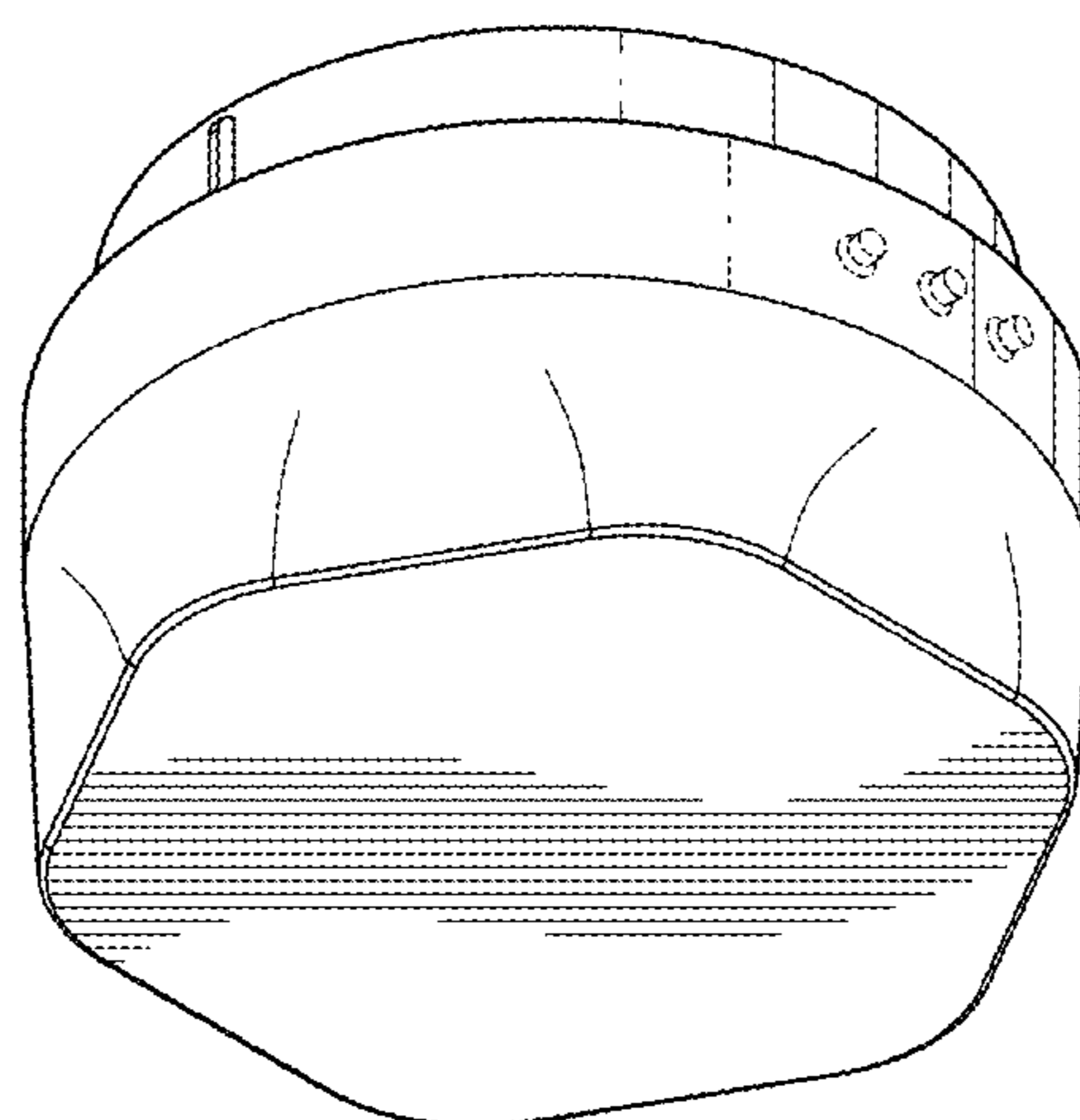
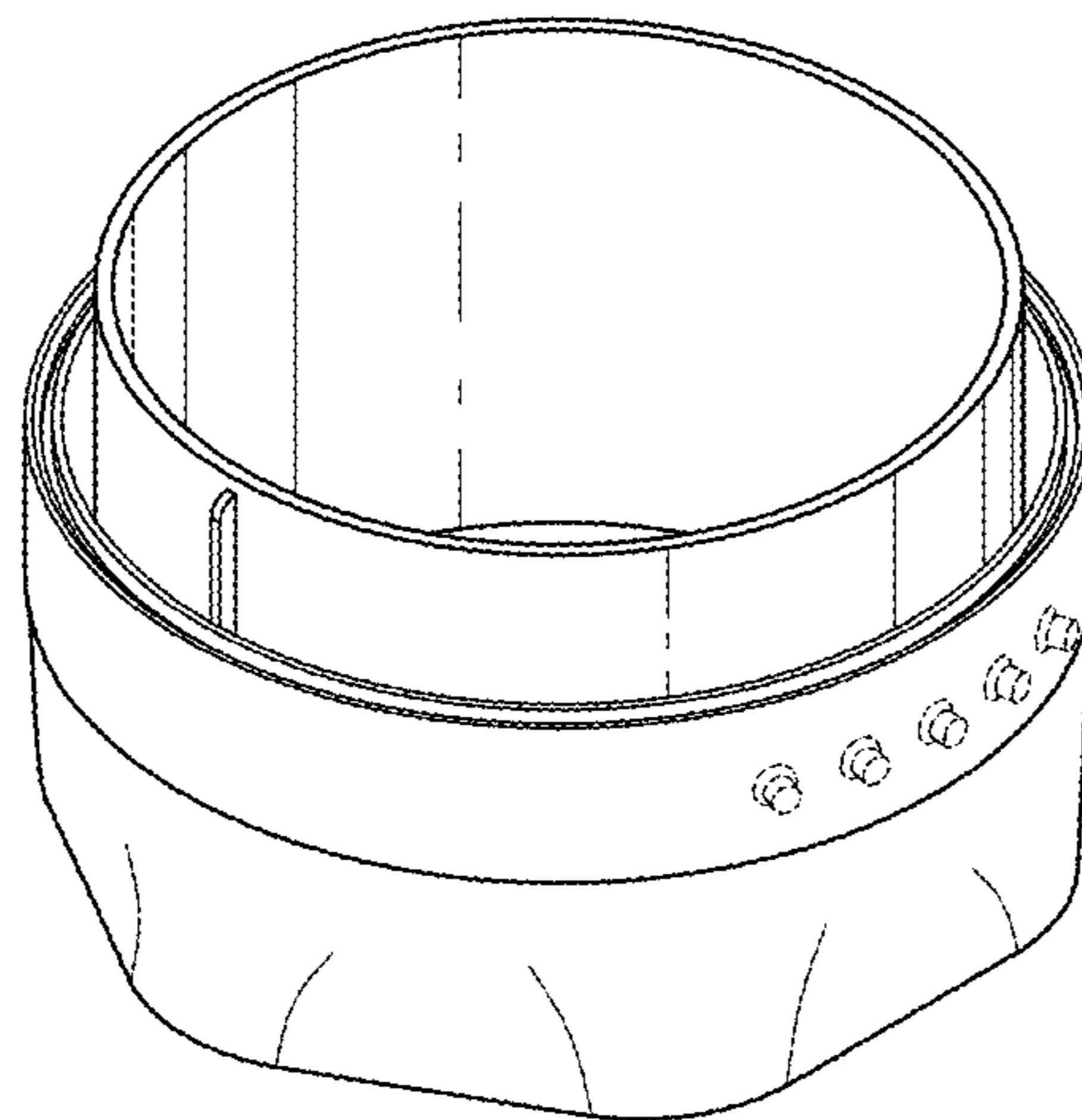


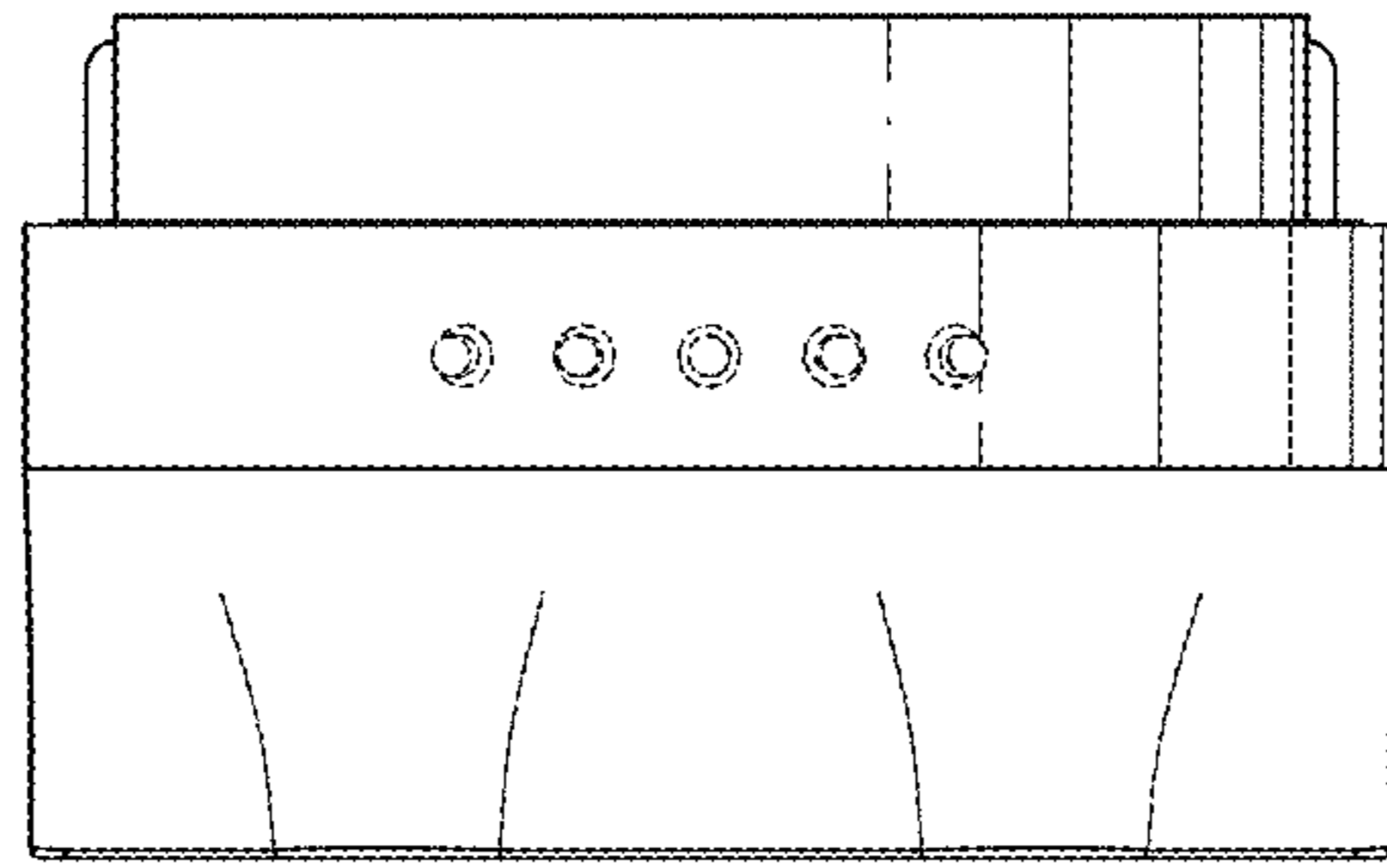
FIG. 16



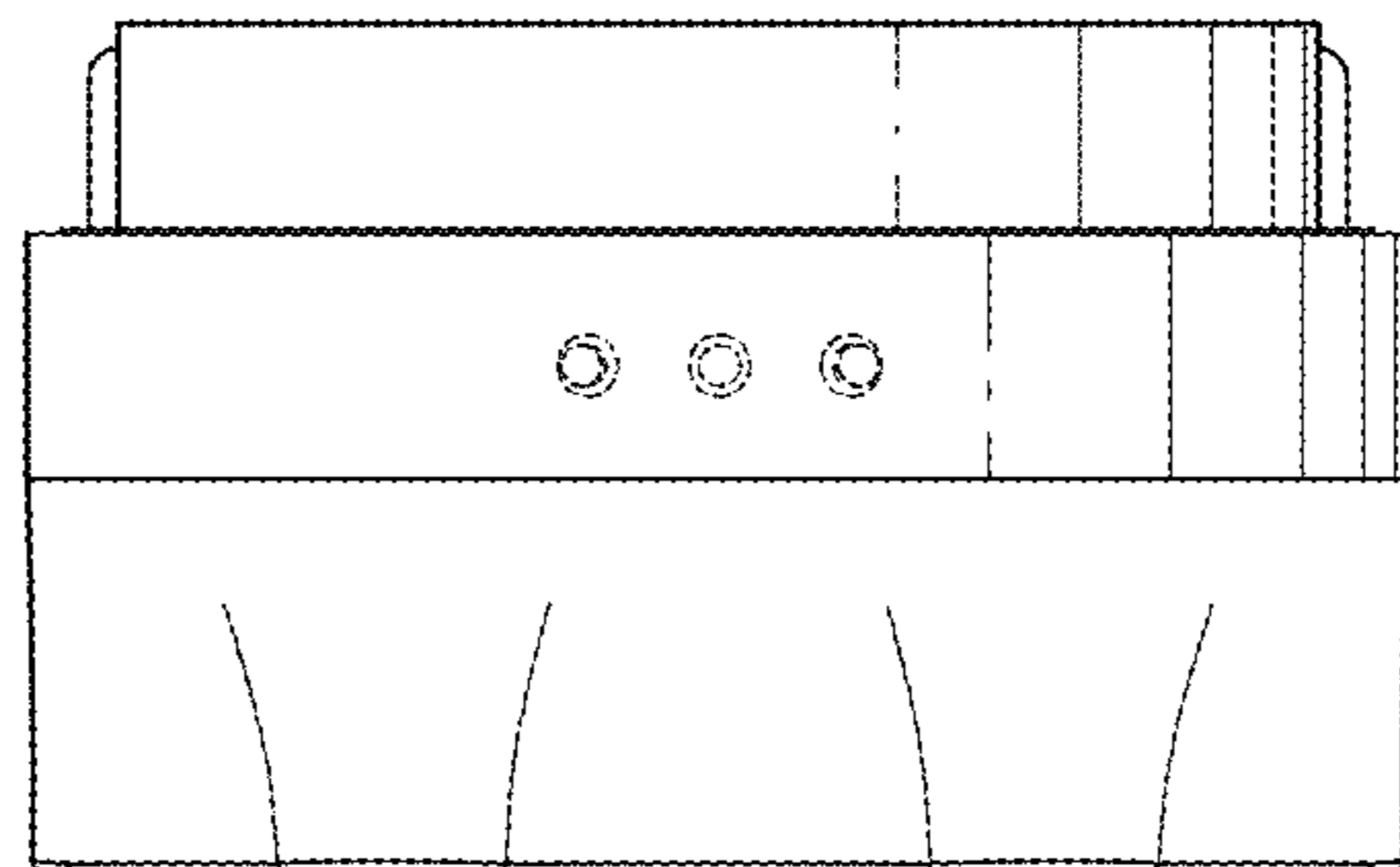
*FIG. 17*



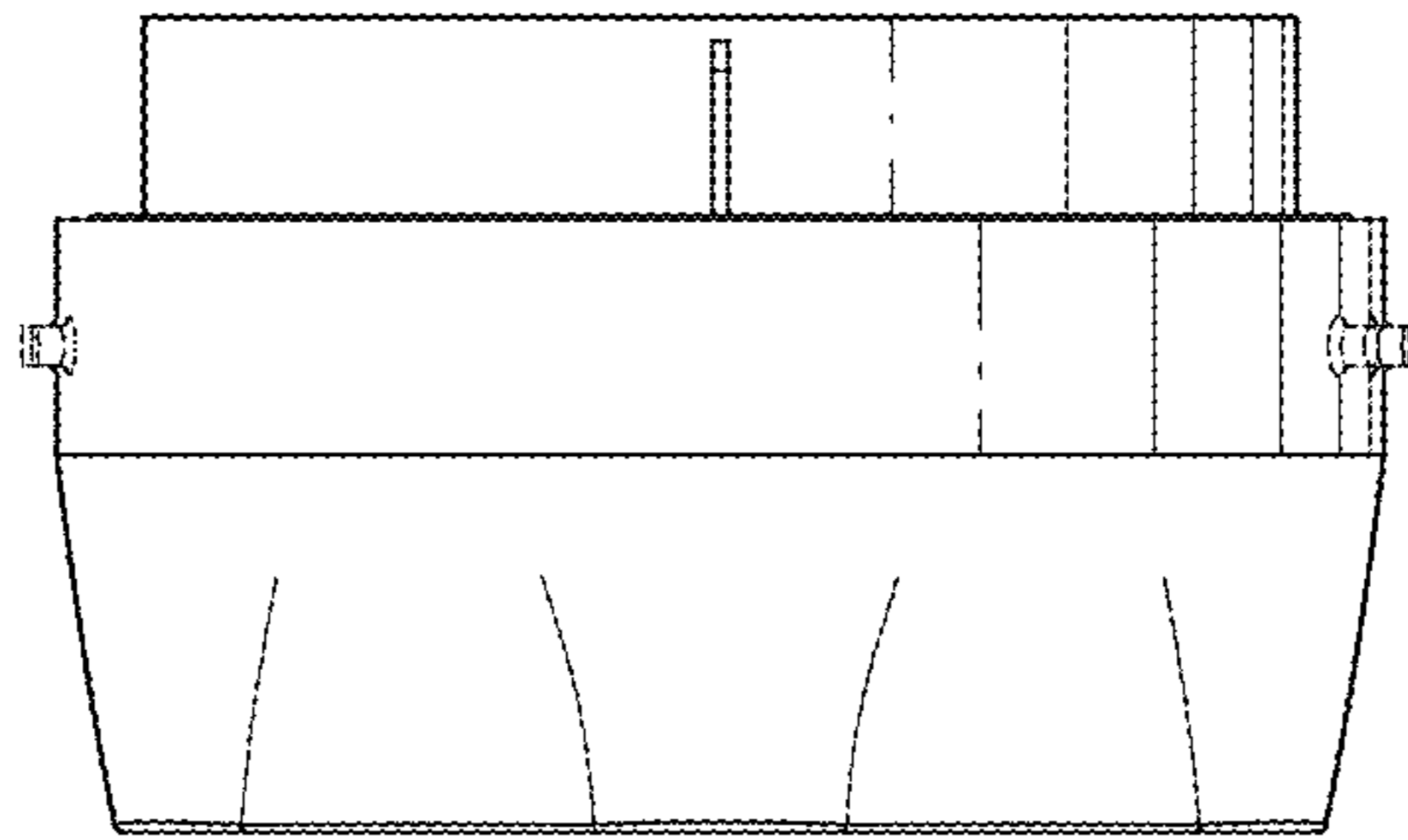
*FIG. 18*



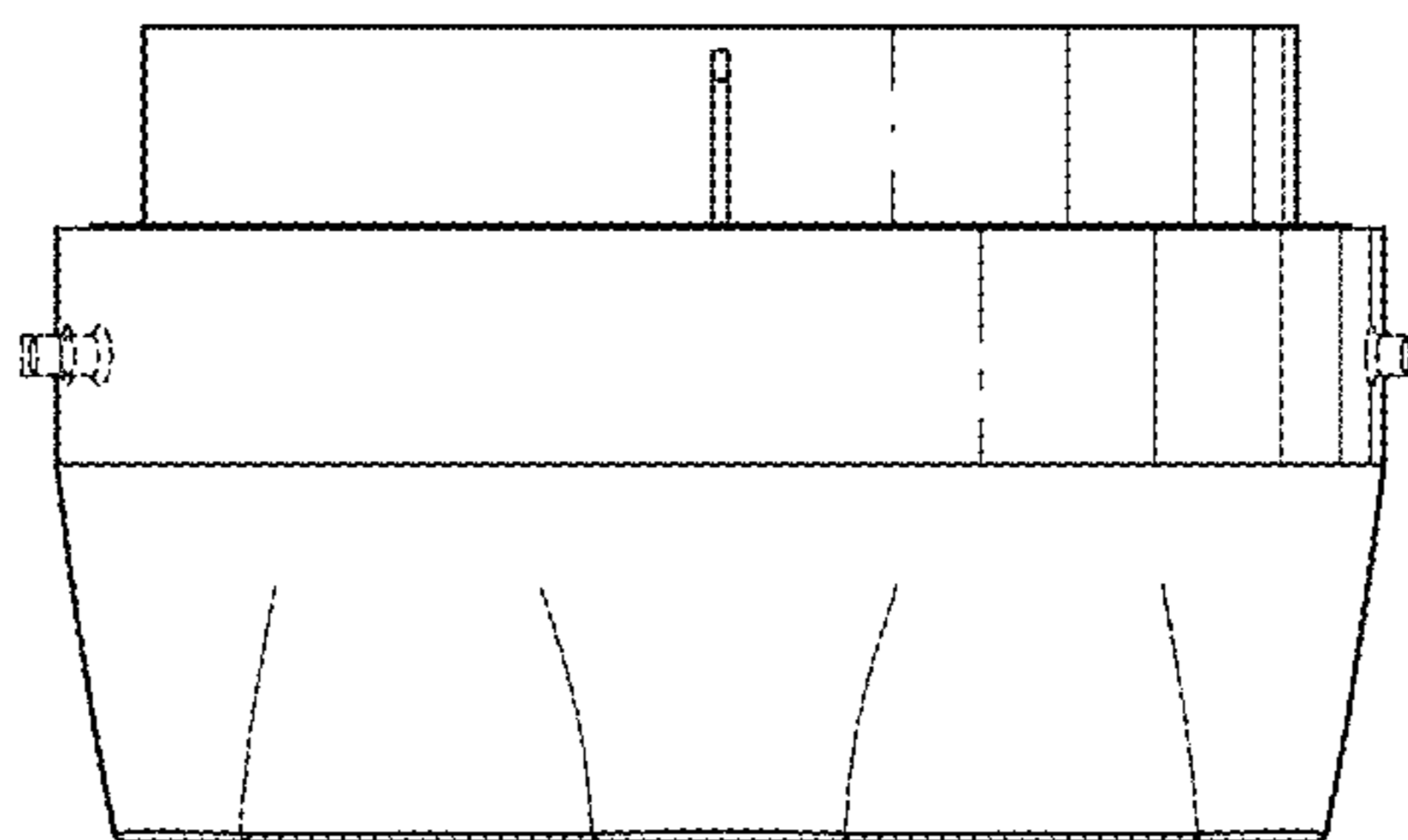
*FIG. 19*



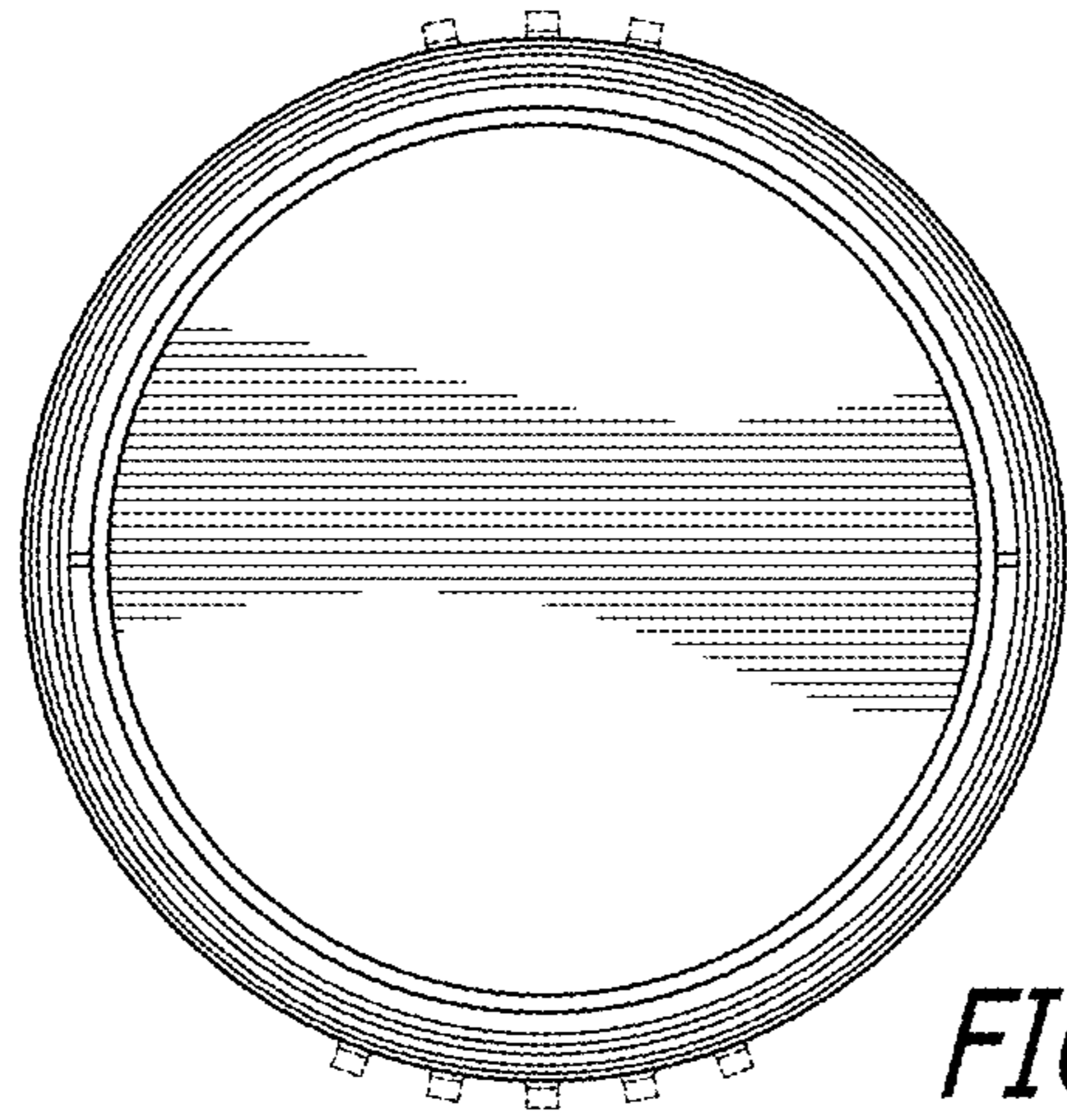
*FIG. 20*



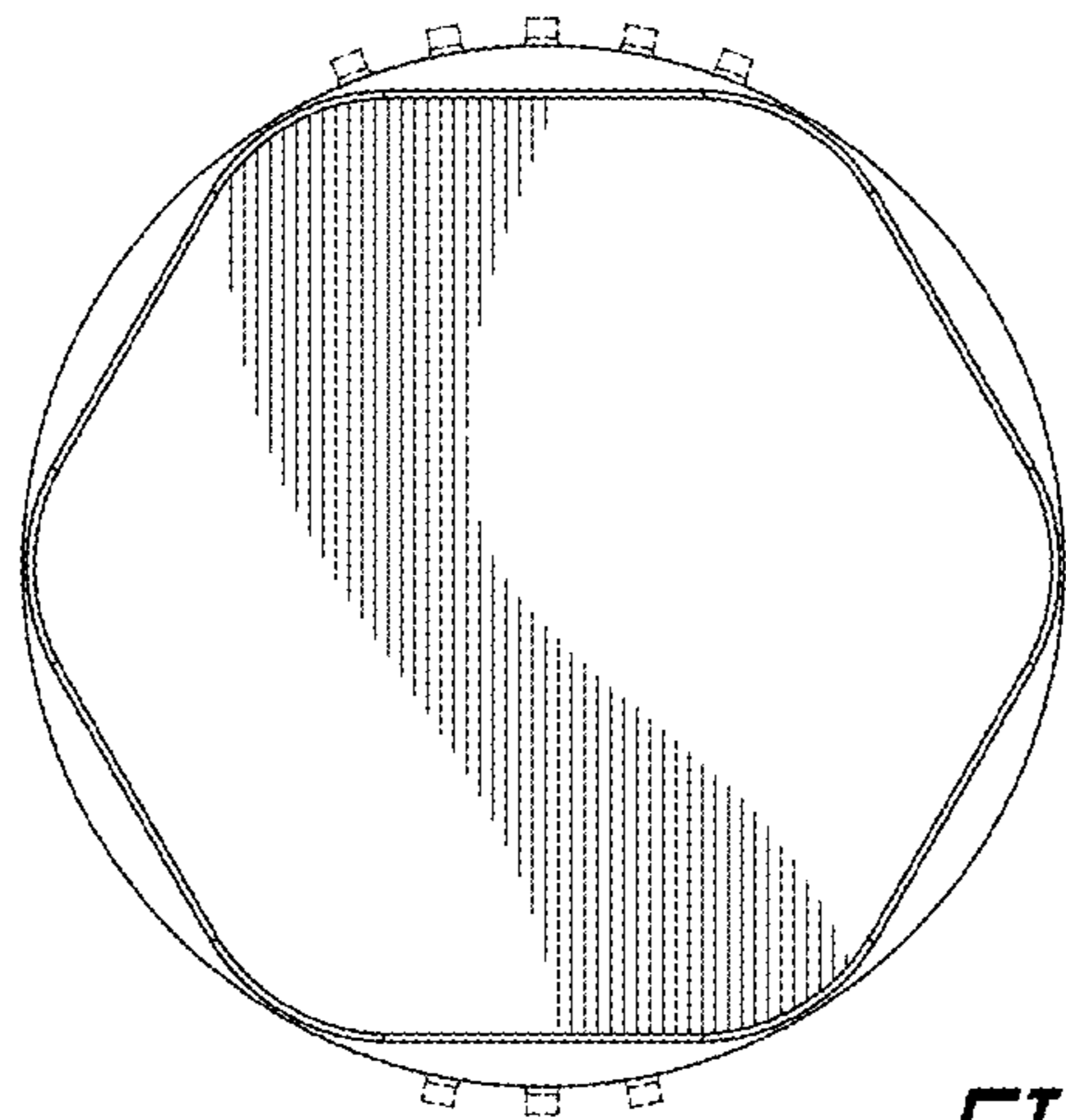
*FIG. 21*



*FIG. 22*



*FIG. 23*



*FIG. 24*