



US00D808036S

(12) **United States Design Patent**  
**Langhoff et al.**

(10) **Patent No.:** **US D808,036 S**

(45) **Date of Patent:** **\*\* Jan. 16, 2018**

(54) **CUVETTE**

(71) Applicant: **BD Kiestra B.V.**, Drachten (NL)

(72) Inventors: **Brian Reuben Langhoff**, Julian, NC (US); **William Alan Fox**, Lake Wylie, SC (US); **Kerry Lynn Smith**, York, PA (US); **Stefan Campbell Dehaseth**, Baltimore, MD (US)

(73) Assignee: **BD Kiestra B.V.** (NL)

(\*\*) Term: **15 Years**

(21) Appl. No.: **29/540,916**

(22) Filed: **Sep. 29, 2015**

(51) **LOC (11) Cl.** ..... **24-02**

(52) **U.S. Cl.**

USPC ..... **D24/224**

(58) **Field of Classification Search**

USPC ..... 206/557-565, 431, 438, 363, 371;  
356/244, 246, 929, 930; 422/552-554,  
422/549, 400, 430, 547, 63-67, 82.09,  
422/258; 435/285.2, 287.6, 303.1,  
435/164-165; 73/304 R; D24/216,  
D24/223-230; D3/203.1, 203.3;  
D7/553.1, 553.7, 554.3; D9/760  
CPC ..... A61B 5/150343; B01D 9/00; B01L 3/06;  
B01L 3/502; B01L 3/5025; B01L 3/508;  
B01L 3/5021; B01L 3/5082; B01L  
3/5085; B01L 3/50855; B01L 3/545;  
B01L 3/5453; B01L 9/06; B65D 1/34;  
B65D 1/36; G01N 21/07; G01N 21/76;  
G01N 21/253; G01N 33/80; G01N 35/04;  
G01N 35/025; G01N 35/1083; G01N  
21/03; G01N 21/0303; G01N 21/0332

See application file for complete search history.

(56) **References Cited**

U.S. PATENT DOCUMENTS

3,627,432 A \* 12/1971 Bergmann ..... B01L 3/5082  
422/562

3,869,214 A \* 3/1975 Egli ..... G01N 21/03  
356/246  
4,251,159 A \* 2/1981 White ..... G01N 21/03  
422/547  
4,332,471 A \* 6/1982 Gross ..... G01N 21/03  
356/246  
4,560,269 A \* 12/1985 Baldszun ..... G01N 21/0303  
356/246  
D283,728 S \* 5/1986 Aihara ..... D24/224  
4,639,135 A \* 1/1987 Borer ..... G01N 21/03  
356/246

(Continued)

FOREIGN PATENT DOCUMENTS

EP 0661532 A2 7/1995  
EP 1909094 A1 4/2008

(Continued)

OTHER PUBLICATIONS

International Search Report for Application No. PCT/IB2015/  
002072 dated Apr. 20, 2016.

(Continued)

*Primary Examiner* — Ian Simmons

*Assistant Examiner* — Mark Cavanna

(74) *Attorney, Agent, or Firm* — Lerner, David,  
Littenberg, Krumholz & Mentlik, LLP

(57) **CLAIM**

The ornamental design for a cuvette, as shown and  
described.

**DESCRIPTION**

FIG. 1 is a front perspective view of a cuvette showing our  
new design;

FIG. 2 is a bottom perspective view thereof;

FIG. 3 is a front elevation view thereof;

FIG. 4 is a rear elevation view thereof;

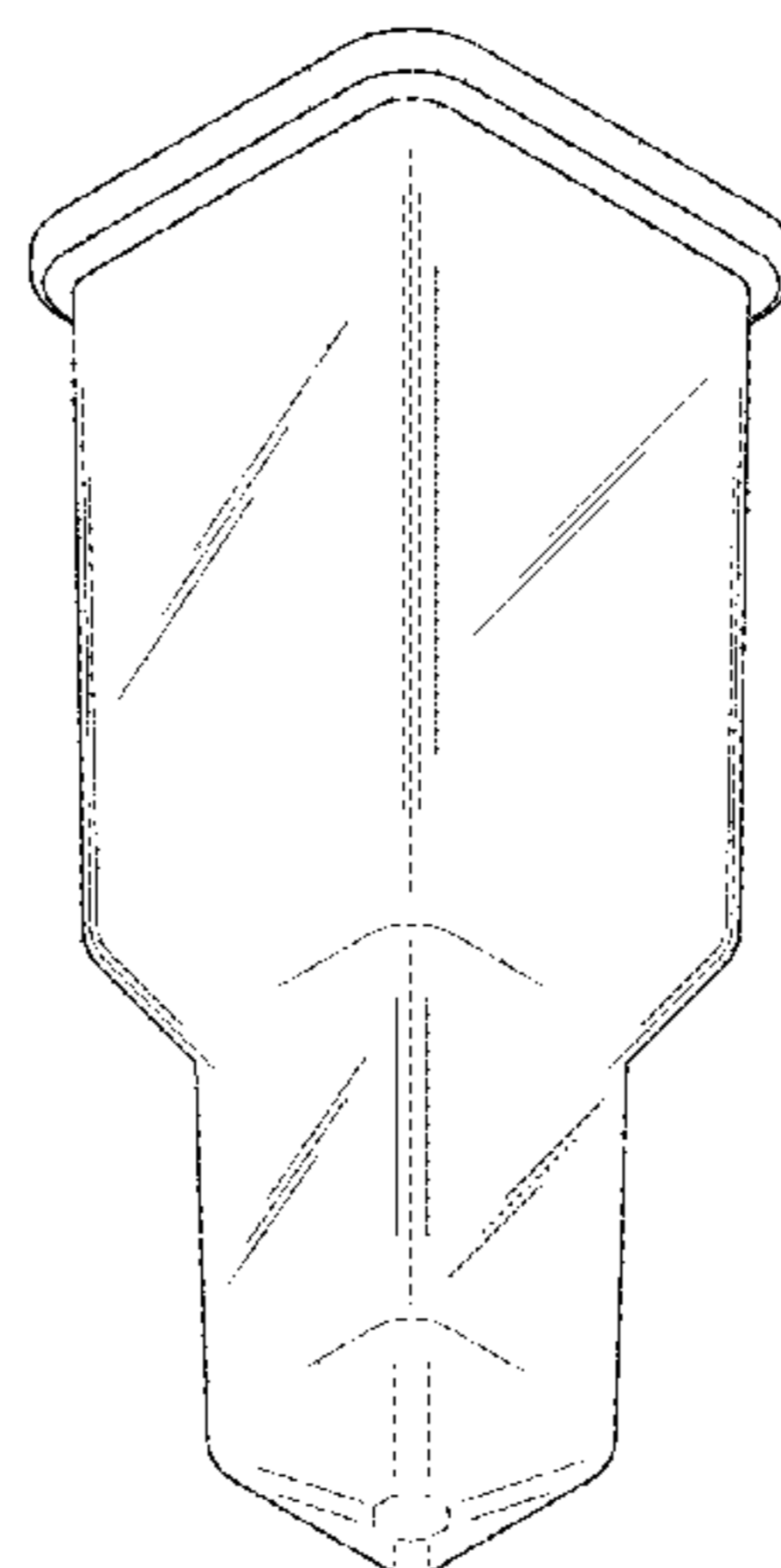
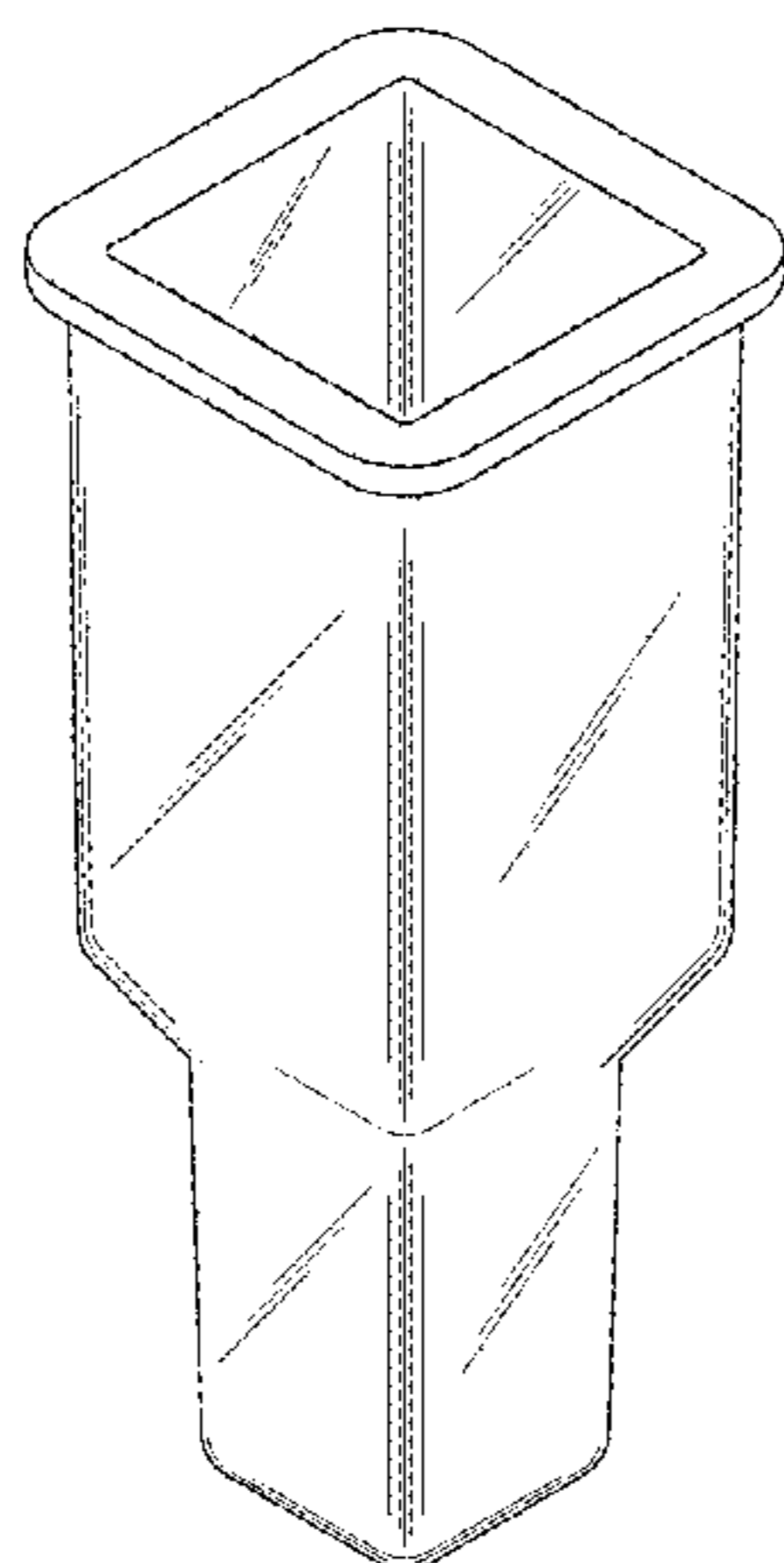
FIG. 5 is a right side elevation view thereof;

FIG. 6 is a left side elevation view thereof;

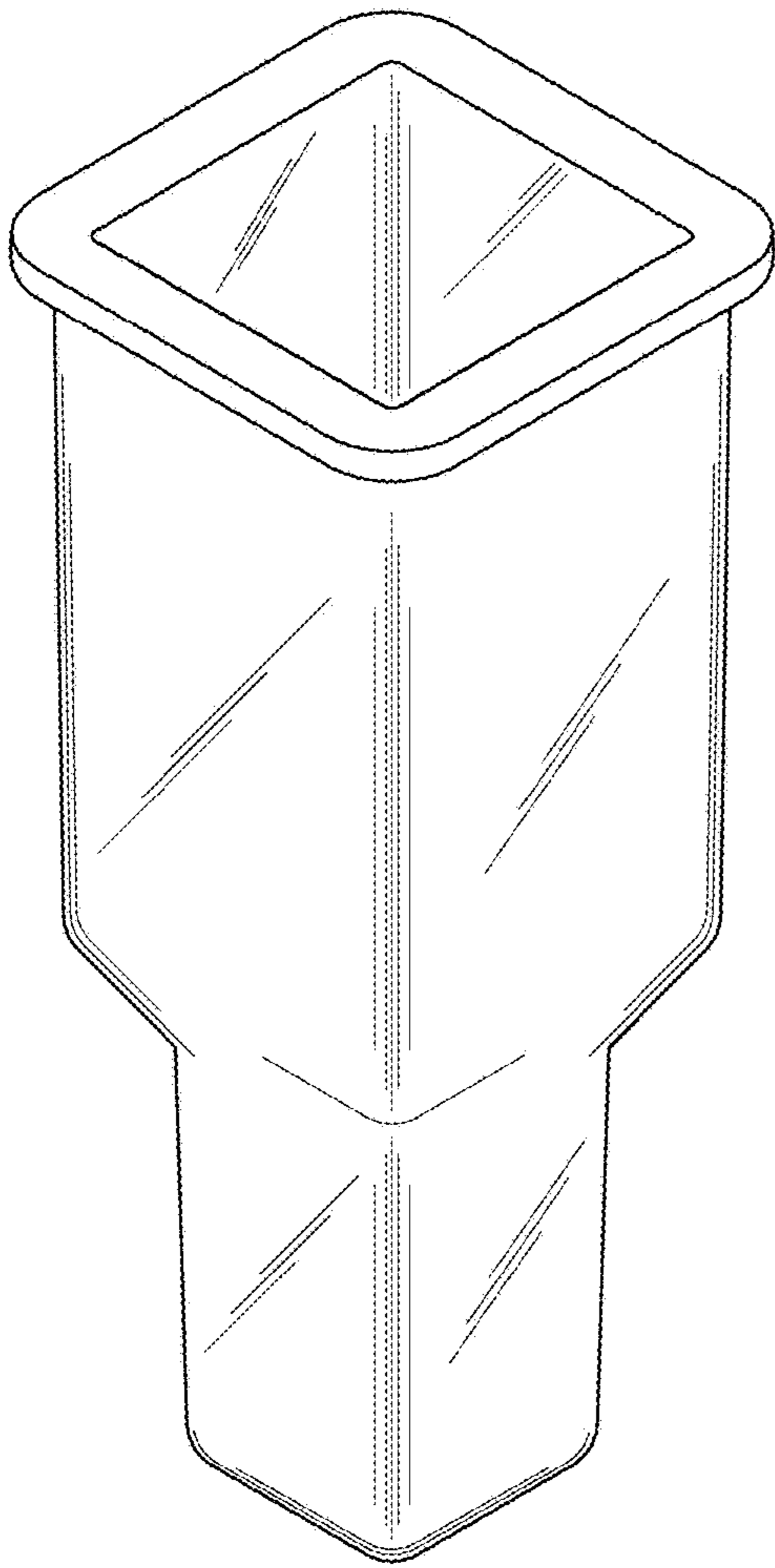
FIG. 7 is a top plan view thereof; and,

FIG. 8 is a bottom plan view thereof.

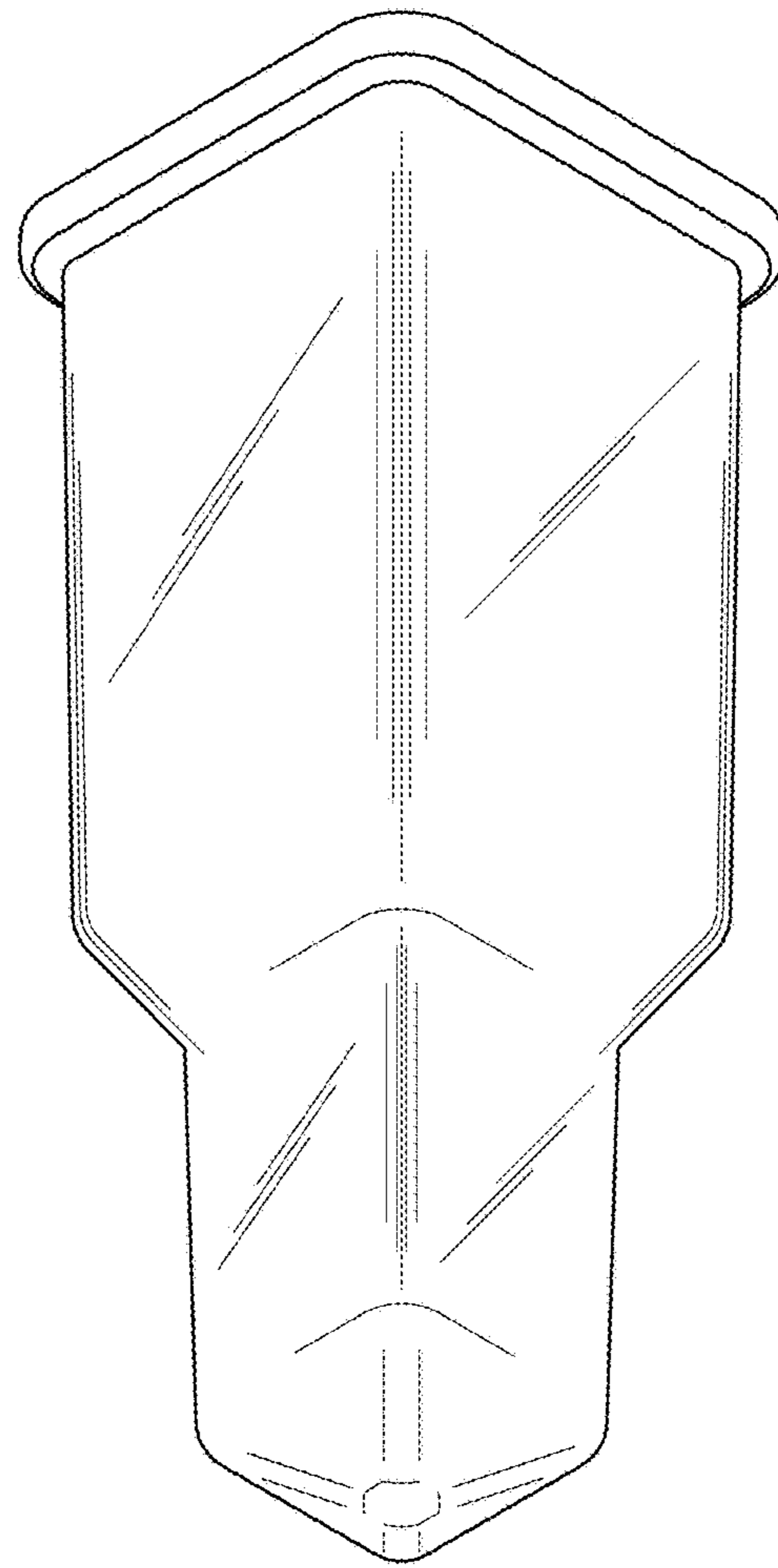
**1 Claim, 4 Drawing Sheets**



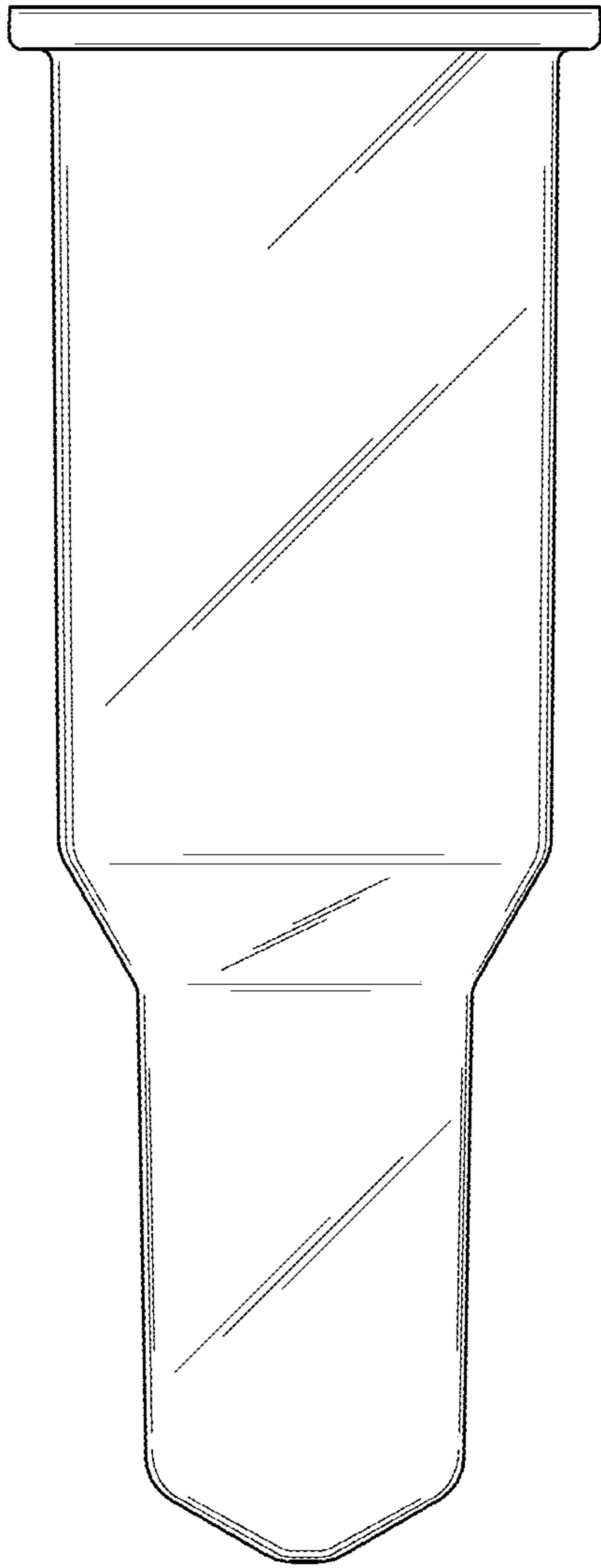




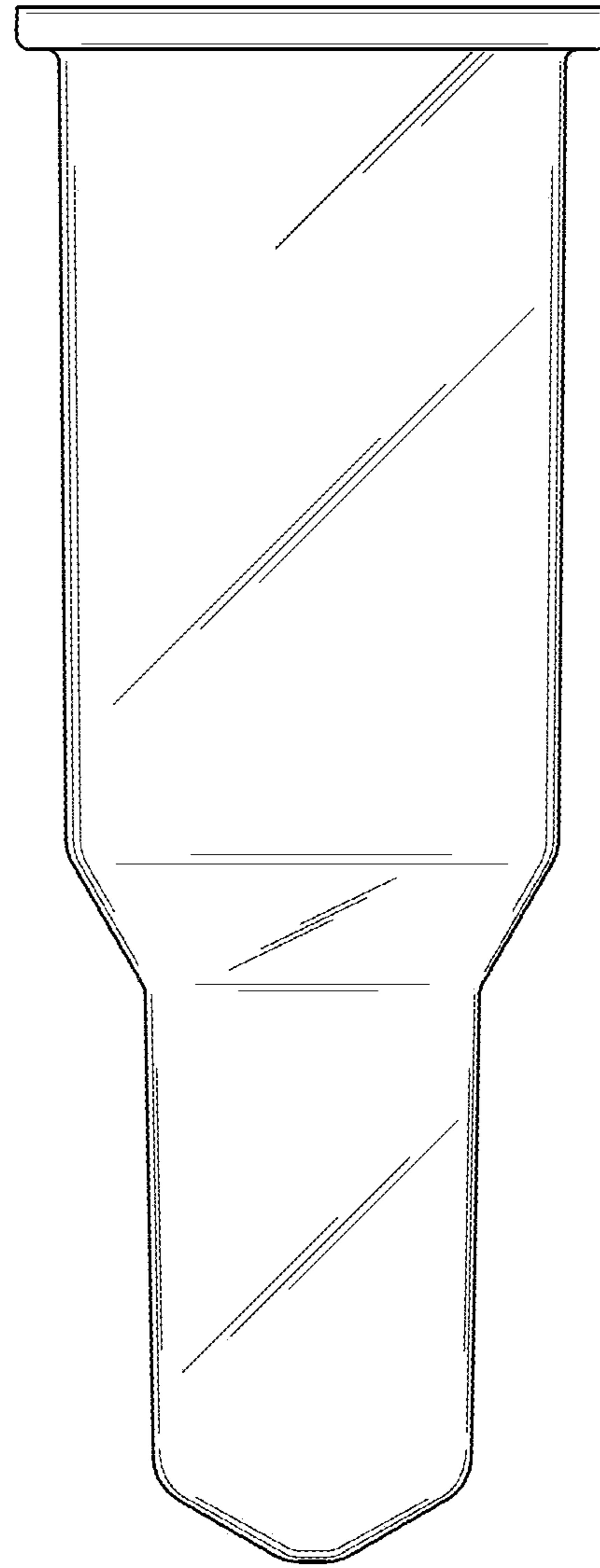
**FIG. 1**



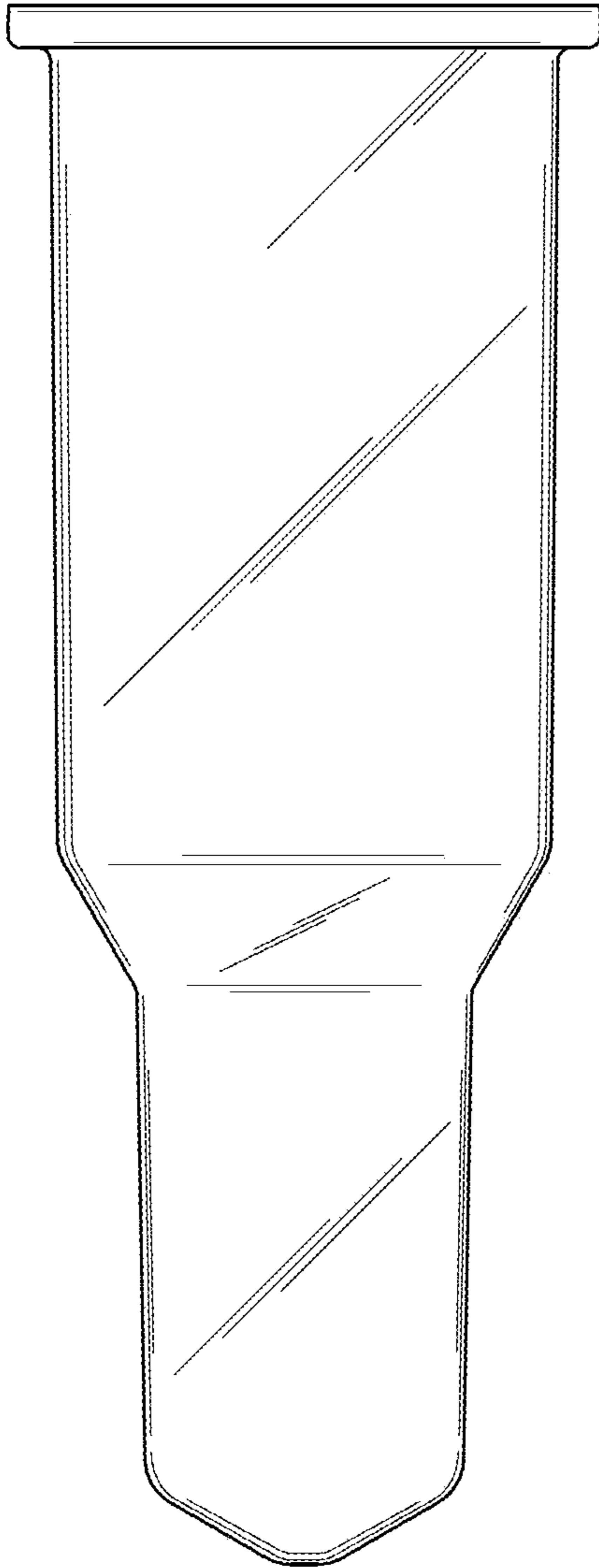
**FIG. 2**



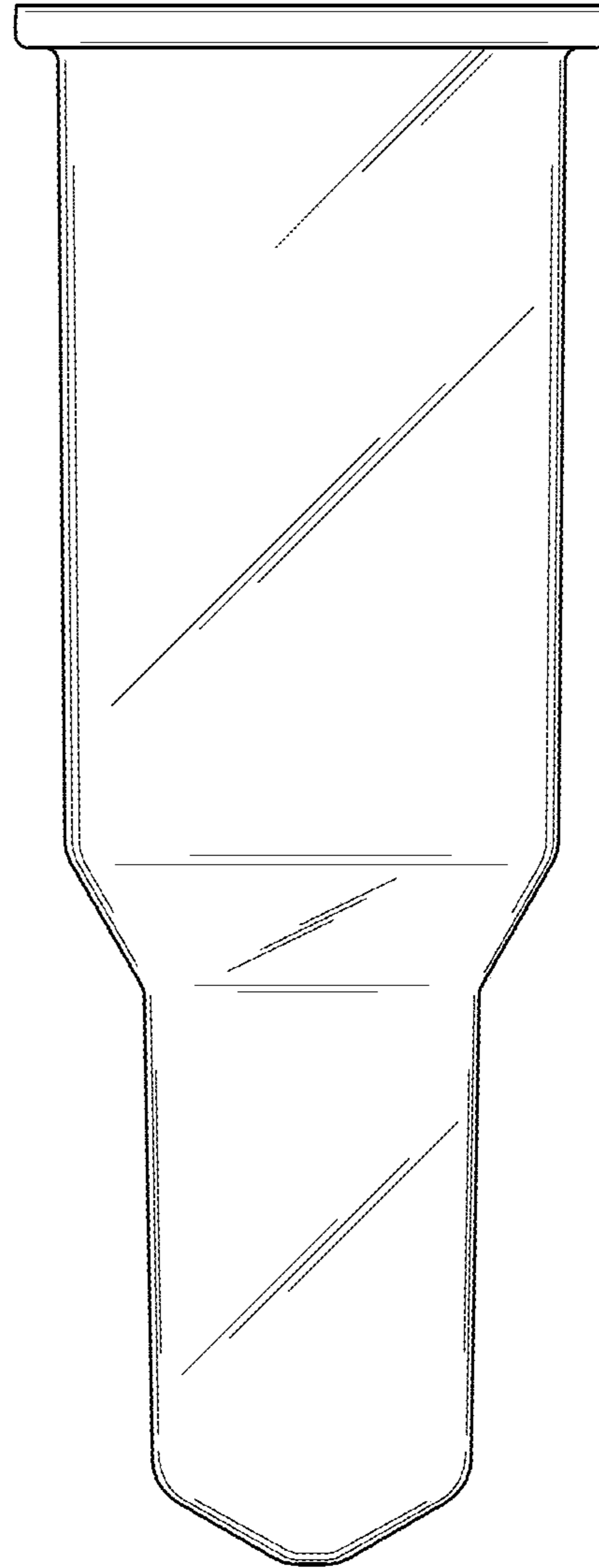
**FIG. 3**



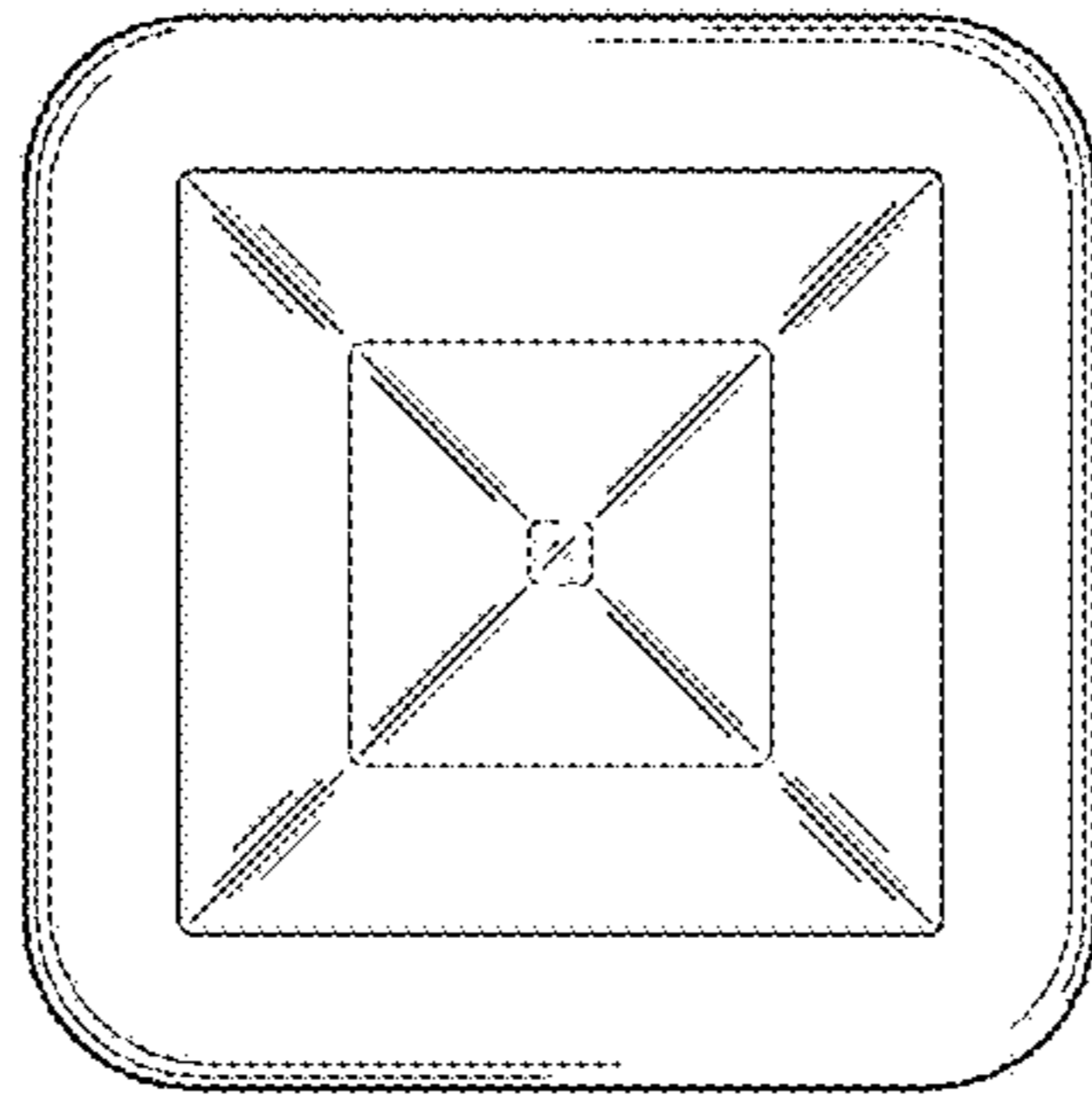
**FIG. 4**



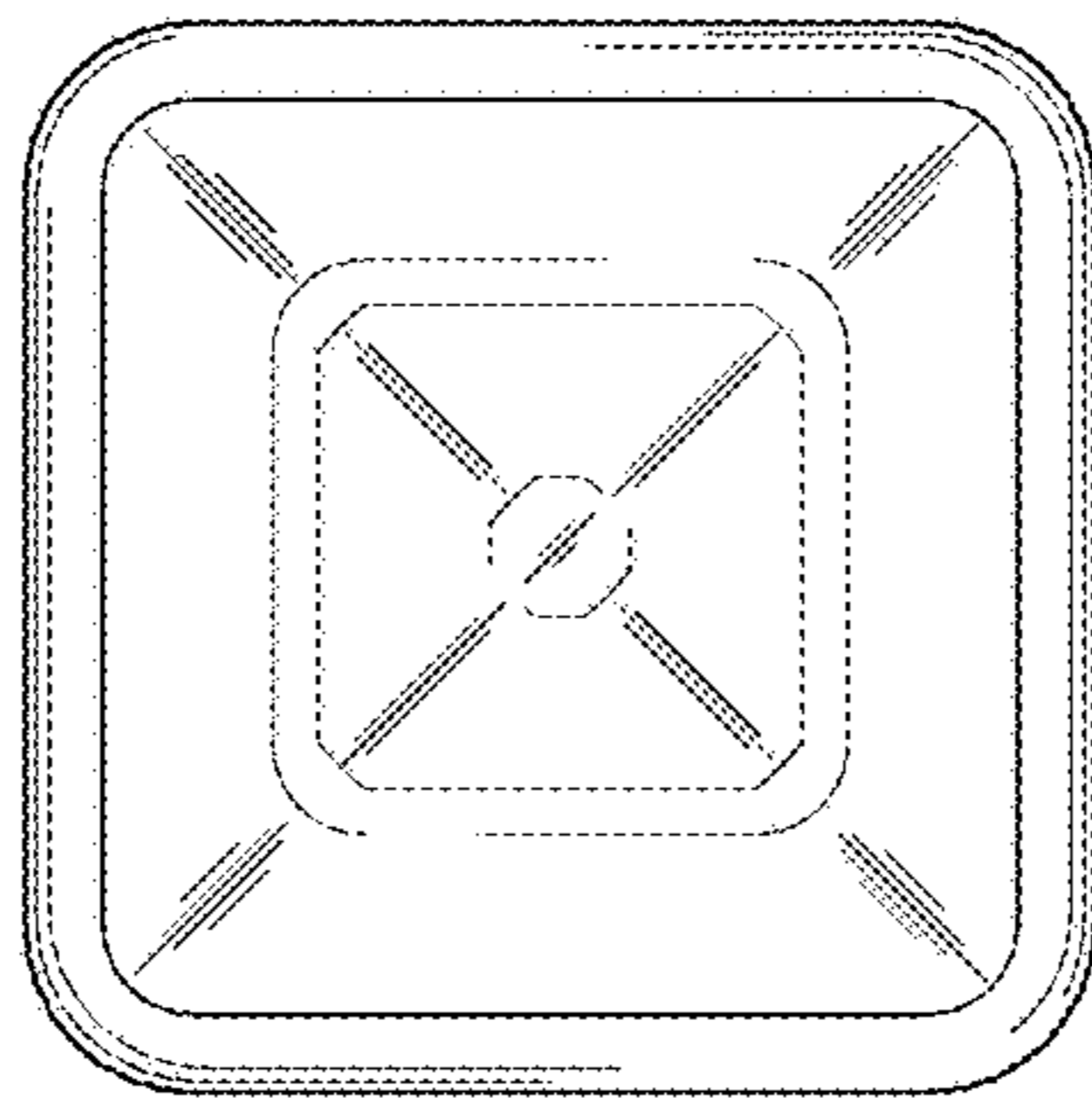
**FIG. 5**



**FIG. 6**



**FIG. 7**



**FIG. 8**