



US00D808033S

(12) **United States Design Patent**
Clithero

(10) **Patent No.:** **US D808,033 S**

(45) **Date of Patent:** **** Jan. 16, 2018**

(54) **PLANTAR FASCIITIS FOOT ROLLER
ACCESSORY**

(71) Applicant: **GOLDHERO, INC.**, Austin, TX (US)

(72) Inventor: **Paul Clithero**, St. Louis, MO (US)

(73) Assignee: **Goldhero, Inc.**, Austin, TX (US)

(**) Term: **15 Years**

(21) Appl. No.: **29/593,400**

(22) Filed: **Feb. 8, 2017**

(51) **LOC (11) Cl.** **28-03**

(52) **U.S. Cl.**
USPC **D24/211**

(58) **Field of Classification Search**
USPC D24/200, 211, 212, 213, 214, 215;
601/19, 27-32, 46-48, 52, 99, 112-113,
601/118, 135, DIG. 12, DIG. 14, DIG. 15,
601/DIG. 16, DIG. 17; D30/160;
D14/218, 138 AA
CPC A61H 19/00; A61H 19/30; A61H 19/32;
A61H 19/34; A61H 19/40; A61H 19/44;
A61H 19/50; A61H 2015/0007; A61H
2015/0014; A61H 2015/0042; A61H
15/00; A61H 7/003; A61H 7/005
See application file for complete search history.

(56) **References Cited**

U.S. PATENT DOCUMENTS

3,037,500 A * 6/1962 Daugherty A61H 15/00
482/79
3,662,748 A * 5/1972 Thurman A61H 15/00
601/121
4,109,649 A * 8/1978 Iyomasa A61H 15/00
601/121
D256,841 S * 9/1980 Corbett D24/211
4,378,007 A * 3/1983 Kachadourian A61H 15/00
482/79

D357,952 S * 5/1995 Chen D21/684
5,411,470 A * 5/1995 Liptak A61H 15/00
601/118
D399,569 S * 10/1998 Wier D24/212
5,830,161 A * 11/1998 Cosmano A61H 15/00
601/118
D427,391 S * 6/2000 Gill D30/160
D446,584 S * 8/2001 Chen D21/662
D475,464 S * 6/2003 Chen D24/211
D513,816 S * 1/2006 Crane A01K 15/025
D30/160
D568,487 S * 5/2008 Hsu D24/214
D626,706 S * 11/2010 Ragonetti D30/160
D643,540 S * 8/2011 Jian D24/211
(Continued)

Primary Examiner — Sandra Snapp

(74) *Attorney, Agent, or Firm* — Lathrop Gage L.L.P.

(57) **CLAIM**

The ornamental design for a plantar fasciitis foot roller accessory, as shown.

DESCRIPTION

FIG. 1 is a top perspective view of a plantar fasciitis foot roller accessory showing the new design.

FIG. 2 is a top perspective view of the plantar fasciitis foot roller accessory in combination with a foot massage roller shown in phantom.

FIG. 3 is a top view of the plantar fasciitis foot roller accessory of FIG. 1.

FIG. 4 is a bottom view of the plantar fasciitis foot roller accessory of FIG. 1.

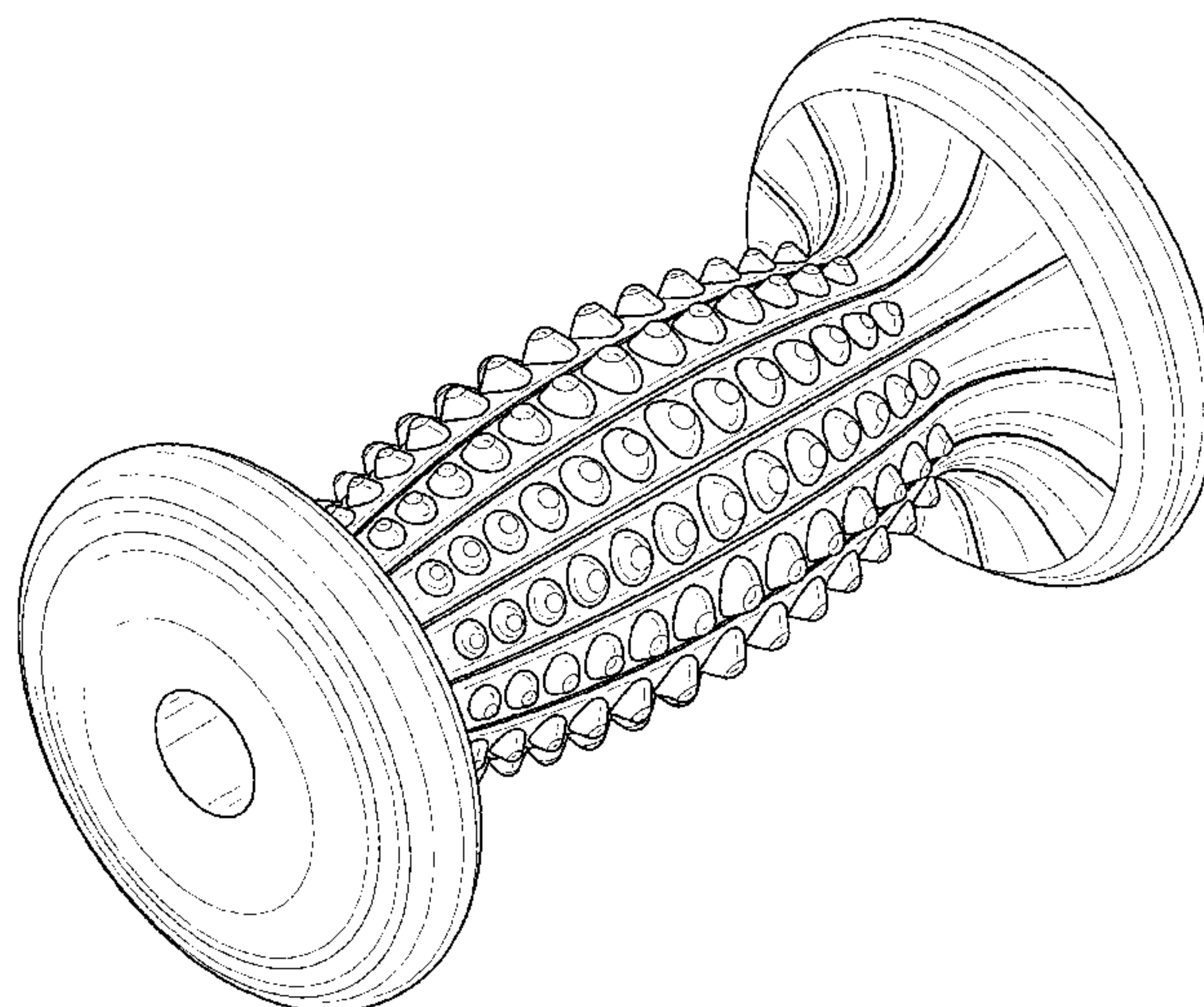
FIG. 5 is a side elevation view of the plantar fasciitis foot roller accessory of FIG. 1.

FIG. 6 is another side elevation view of the plantar fasciitis foot roller accessory of FIG. 1.

FIG. 7 is a front elevation view of the plantar fasciitis foot roller accessory of FIG. 1; and,

FIG. 8 is a rear elevation view of the plantar fasciitis foot roller accessory of FIG. 1.

1 Claim, 5 Drawing Sheets



(56)

References Cited

U.S. PATENT DOCUMENTS

D648,034 S	*	11/2011	Rice	D24/215
D650,487 S	*	12/2011	Briscoe	D24/211
D650,537 S	*	12/2011	Oblack	D21/713
D676,140 S	*	2/2013	Feightner	D24/212
D687,159 S	*	7/2013	Cho	D24/215
D744,112 S	*	11/2015	Phillips	D24/211
D751,724 S	*	3/2016	Nelson	D24/211
D777,340 S	*	1/2017	Nelson	D24/211

* cited by examiner

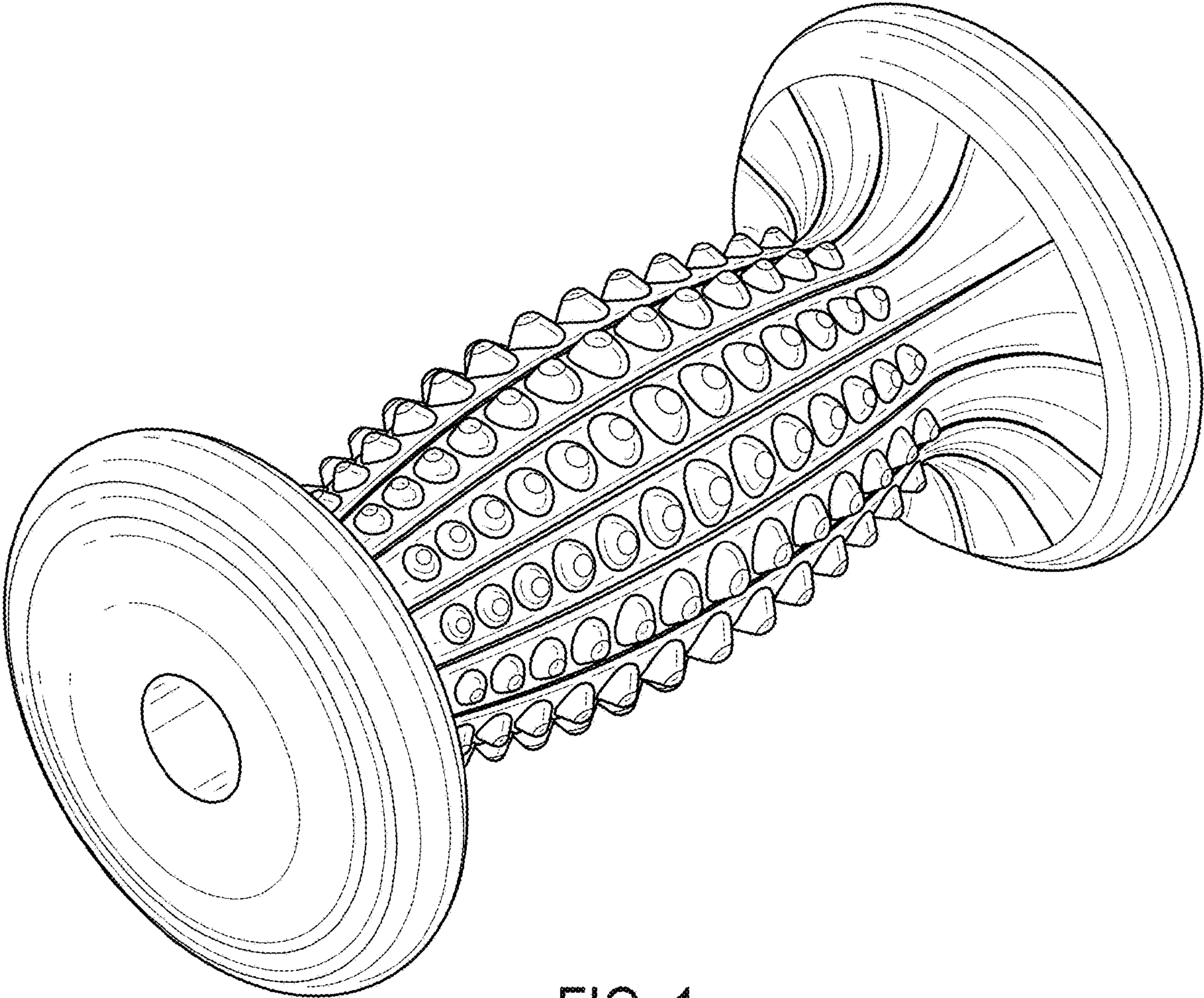


FIG. 1

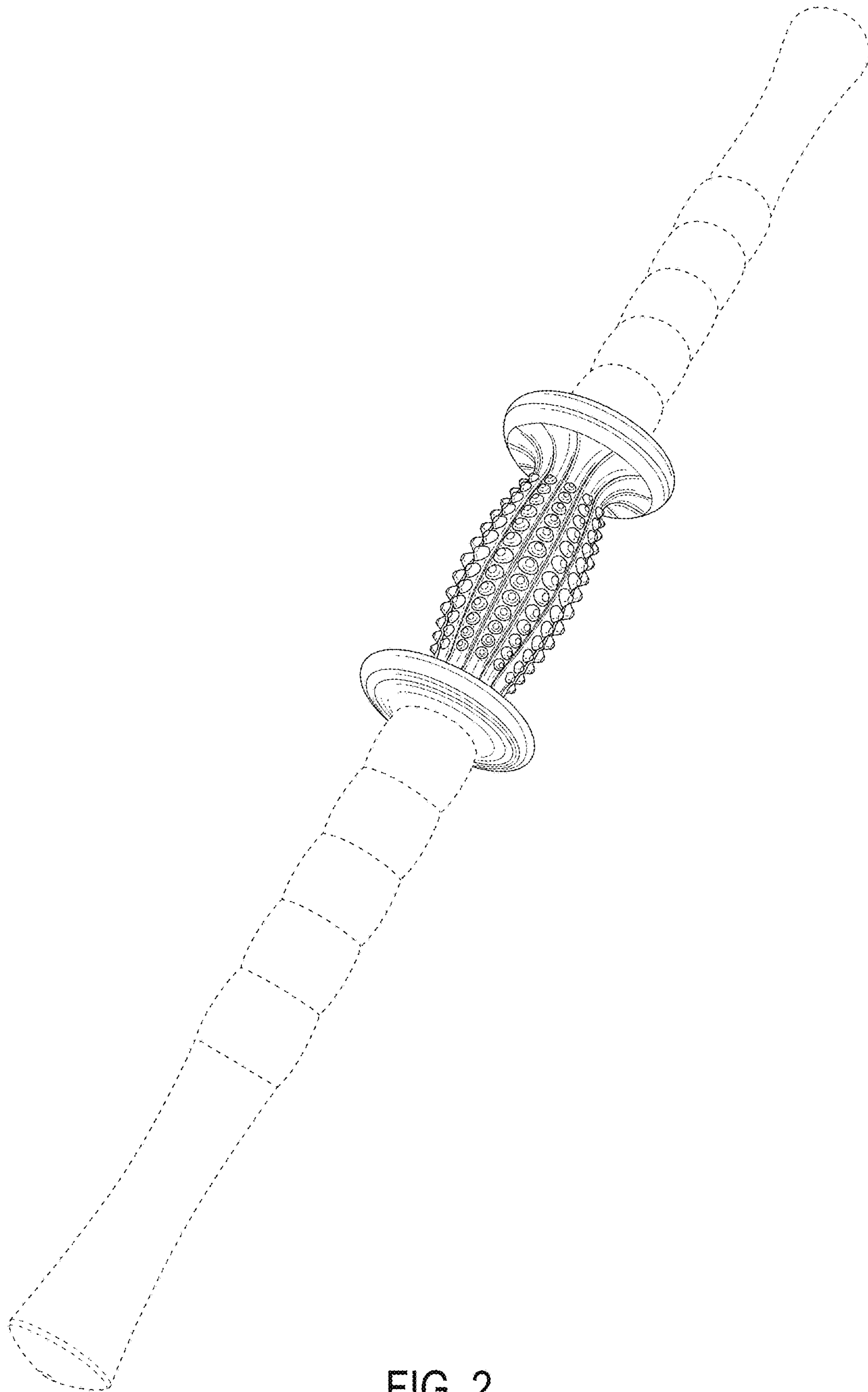


FIG. 2

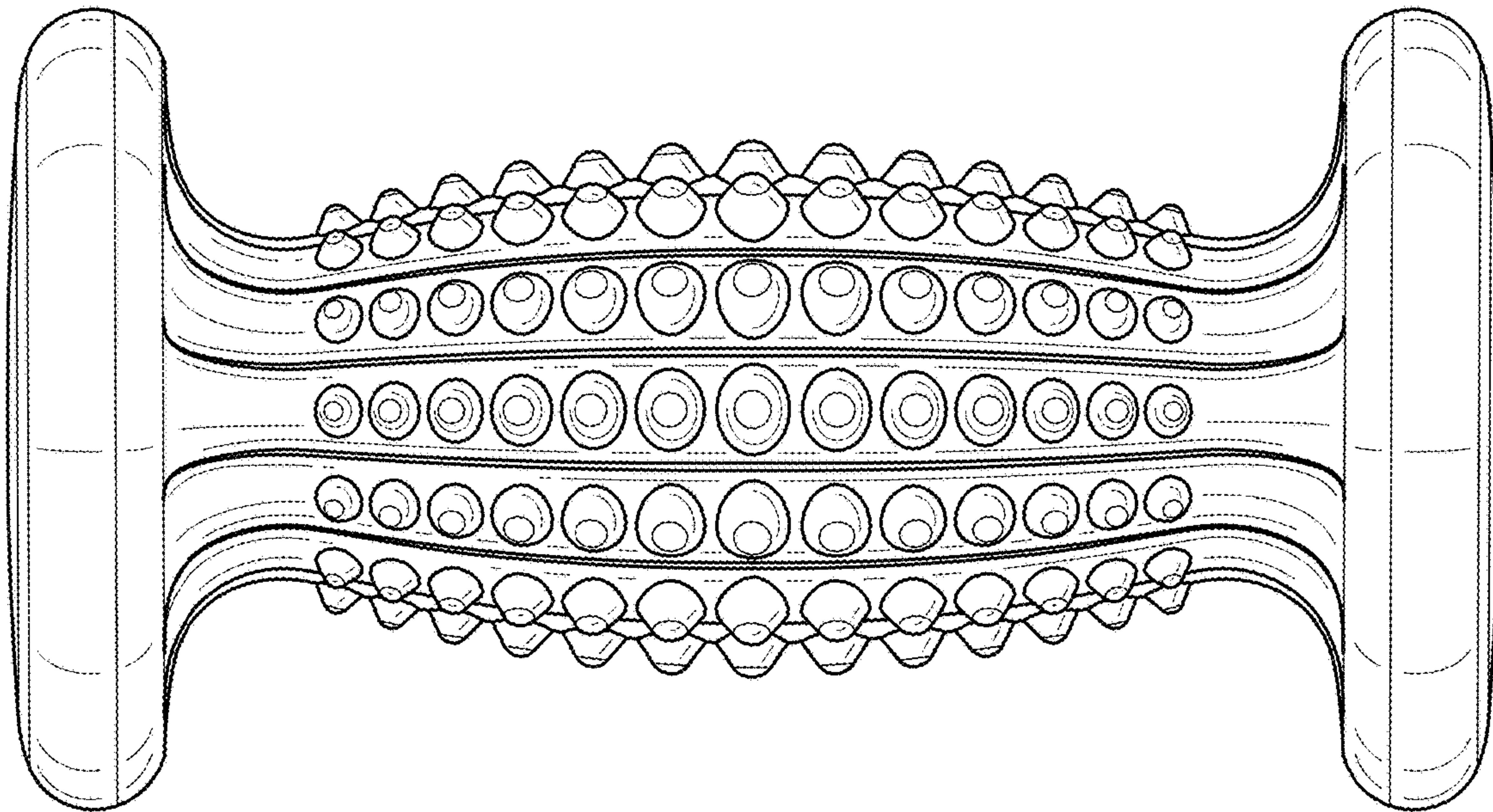


FIG. 3

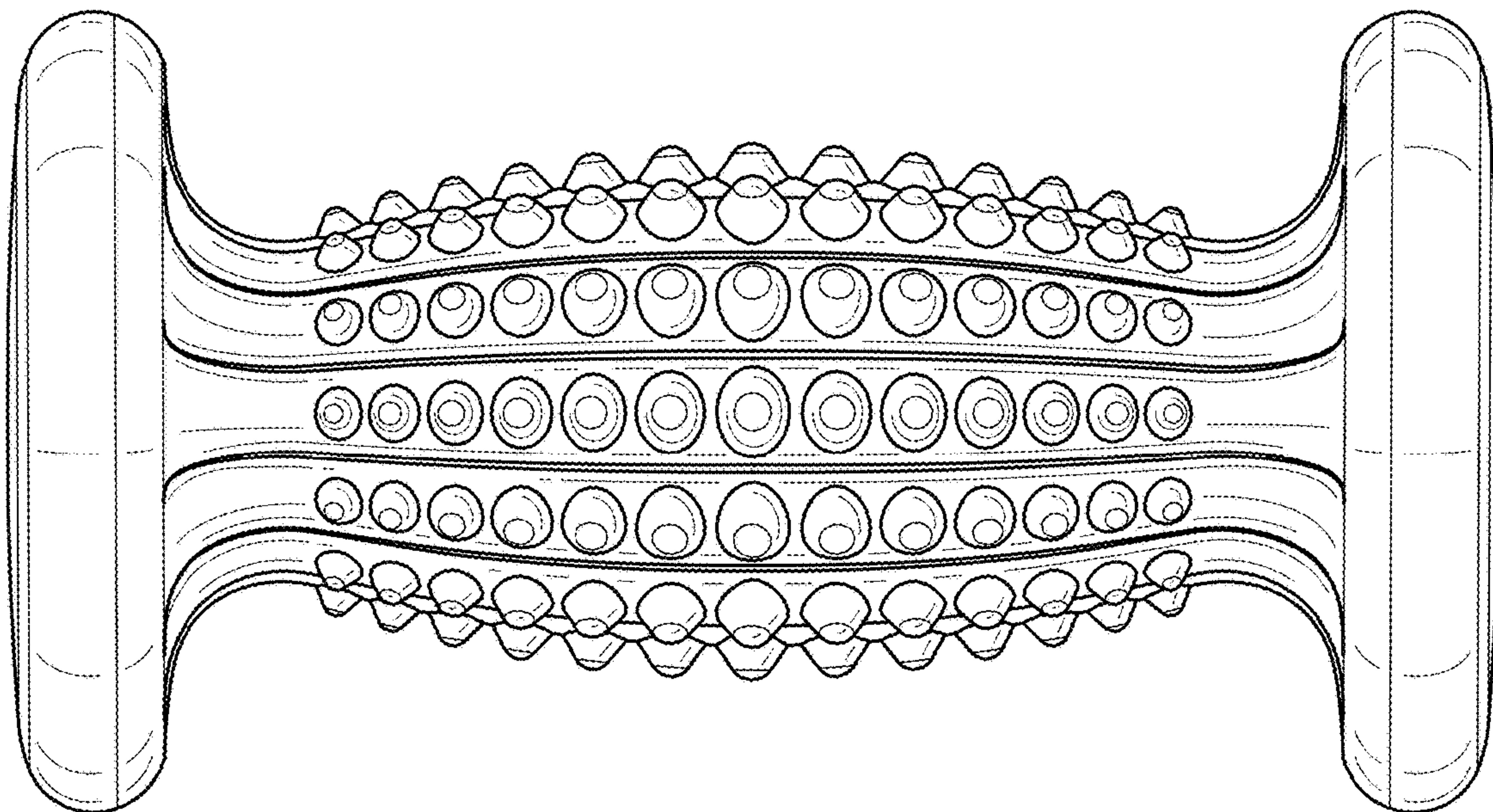


FIG. 4

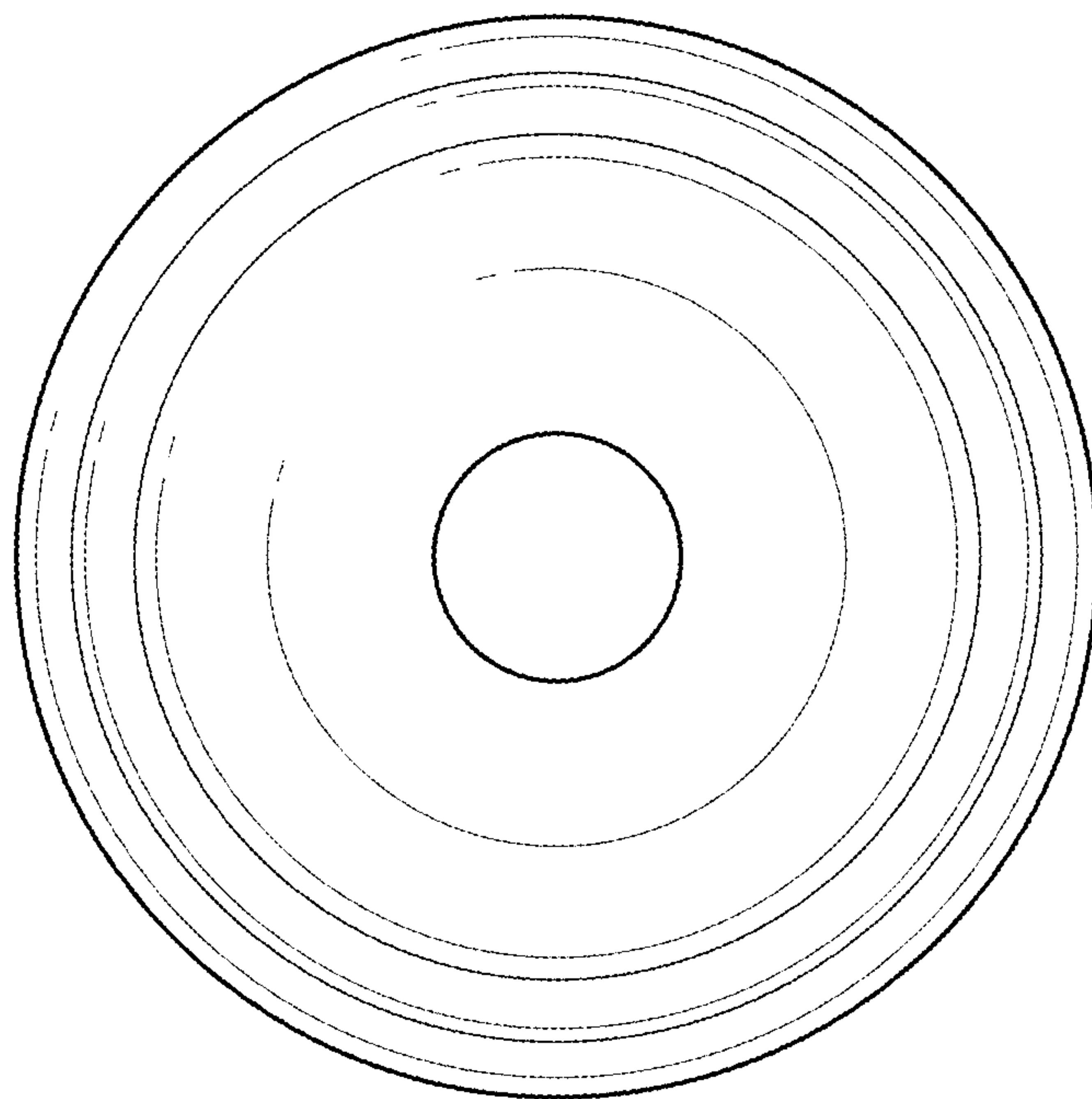


FIG. 5

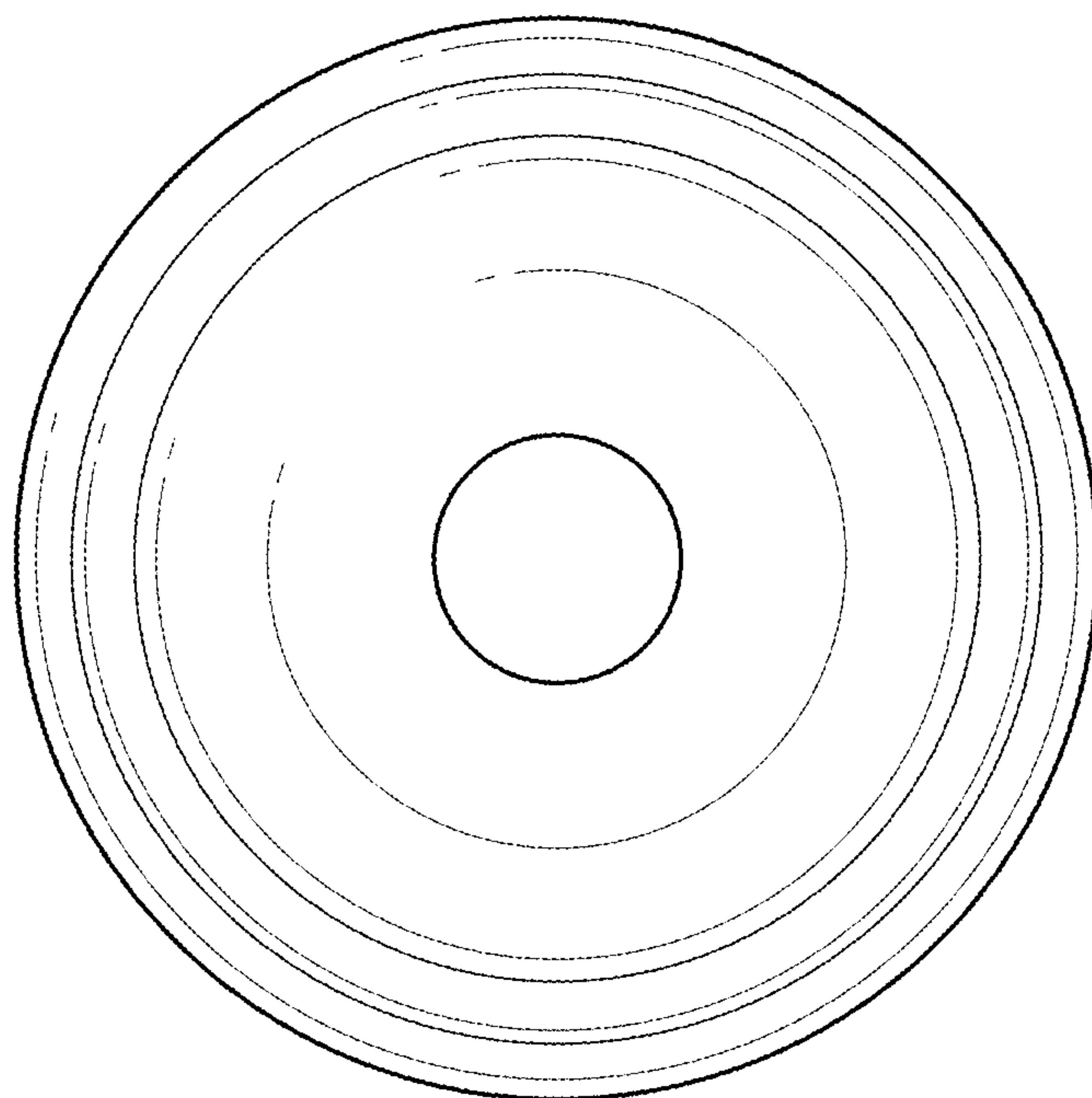


FIG. 6

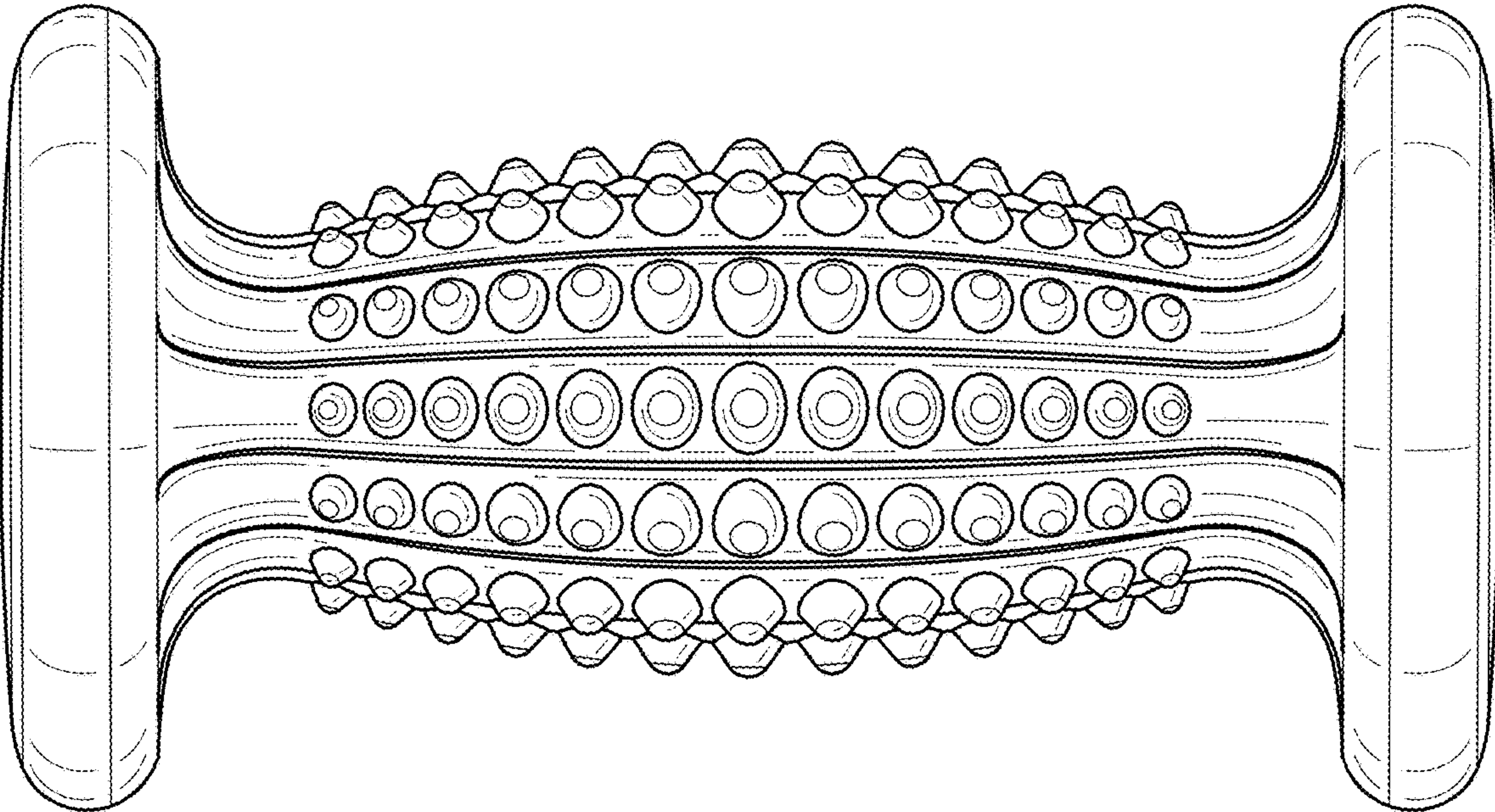


FIG. 7

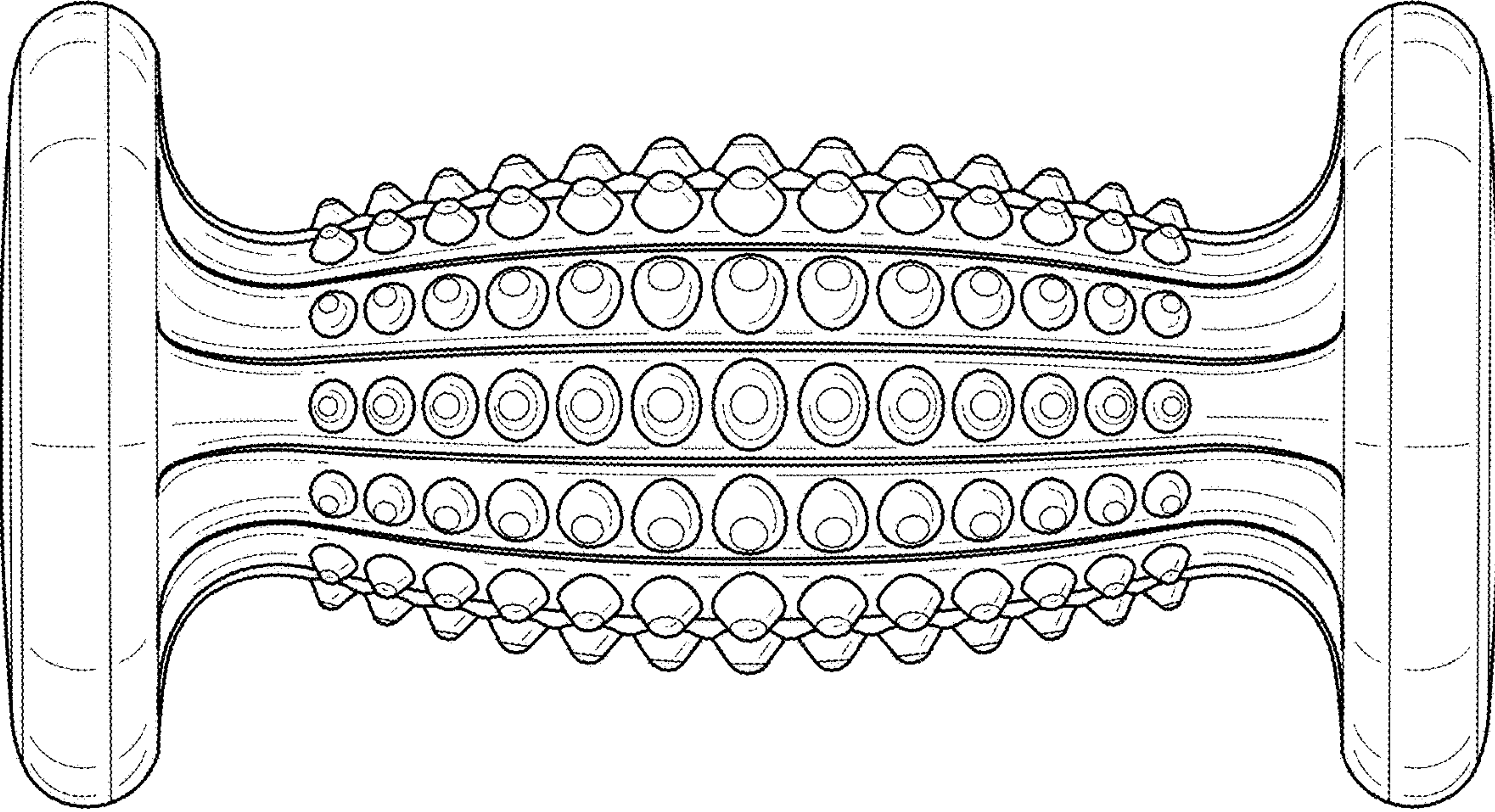


FIG. 8