



US00D808028S

(12) **United States Design Patent**
Richards et al.

(10) **Patent No.:** **US D808,028 S**

(45) **Date of Patent:** **** Jan. 16, 2018**

(54) **ELBOW BRACE**

(71) Applicants: **Mostyn J. Richards**, Gwent (GB);
Royston J. Richards, Gwent (GB)

(72) Inventors: **Mostyn J. Richards**, Gwent (GB);
Royston J. Richards, Gwent (GB)

(**) Term: **15 Years**

(21) Appl. No.: **29/571,522**

(22) Filed: **Jul. 19, 2016**

(51) **LOC (11) Cl.** **24-04**

(52) **U.S. Cl.**
USPC **D24/190**

(58) **Field of Classification Search**
USPC D24/190
CPC .. A61F 5/0118; A61F 5/0123; A61F 5/05866;
A61H 3/00; A61H 2003/007; A61H
2205/10

See application file for complete search history.

(56) **References Cited**

U.S. PATENT DOCUMENTS

D666,301 S *	8/2012	Joseph	D24/190
D678,536 S *	3/2013	Niefer	D24/190
D720,860 S *	1/2015	Meyer	D24/190
2008/0249448 A1 *	10/2008	Stevenson	A61F 5/0125 602/16

2009/0112134 A1 *	4/2009	Avni	A61H 23/0263 601/15
2009/0149790 A1 *	6/2009	Farrell	A61F 5/0118 602/20
2012/0004586 A1 *	1/2012	Martino	A61F 5/0118 602/20
2014/0024987 A1 *	1/2014	Anglada	A61F 5/013 602/16
2014/0221889 A1 *	8/2014	Burns	A61F 5/0102 602/5

* cited by examiner

Primary Examiner — Charles D Hanson

(74) *Attorney, Agent, or Firm* — King & Schickli, PLLC

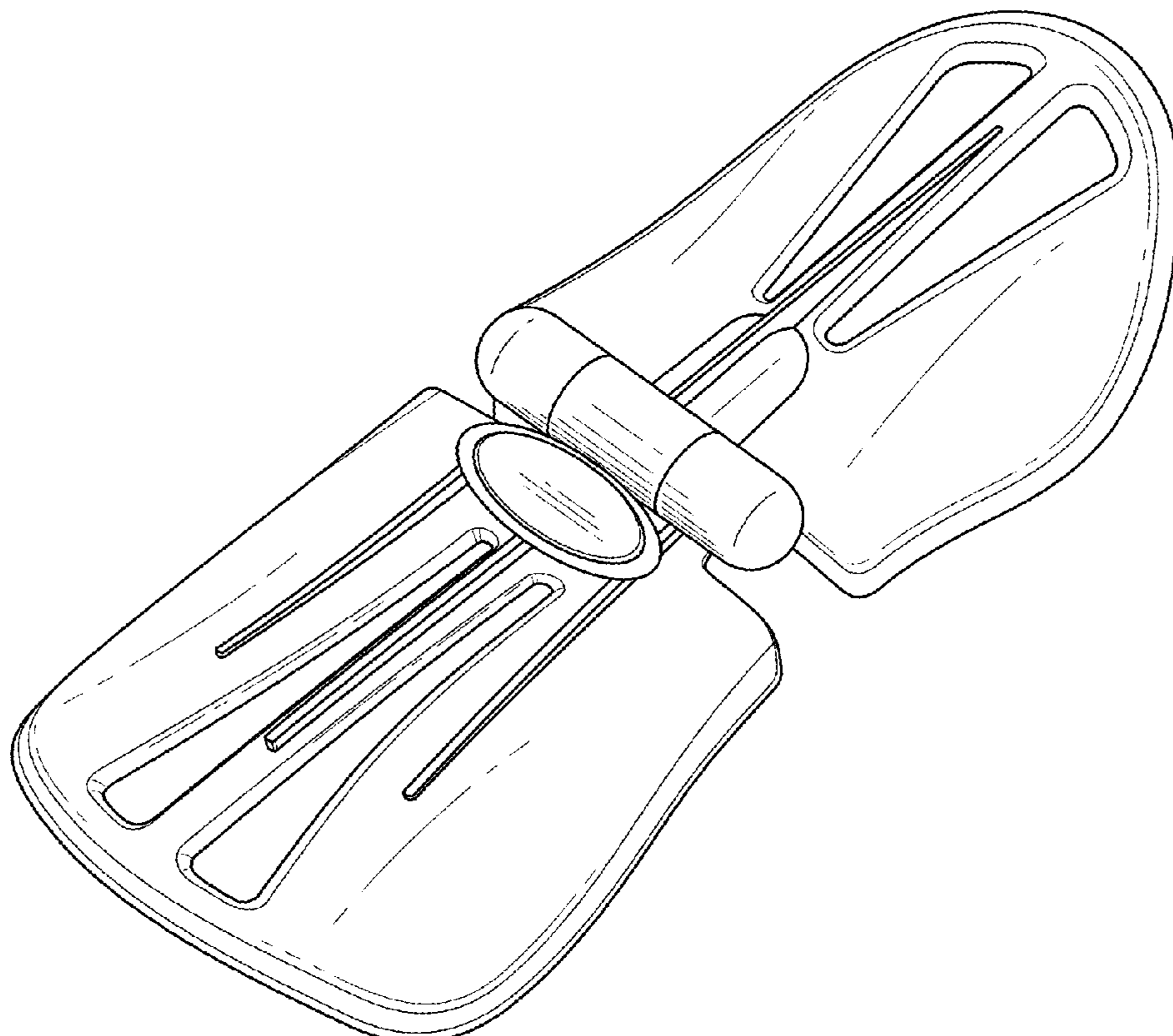
(57) **CLAIM**

The ornamental design for an elbow brace, as shown and described.

DESCRIPTION

FIG. 1 is a perspective view of the design;
FIG. 2 is a front view of the design;
FIG. 3 is a rear view of the design;
FIG. 4 is a left side view of the design;
FIG. 5 is a right side view of the design;
FIG. 6 is a top view of the design; and,
FIG. 7 is a bottom view of the design.

1 Claim, 3 Drawing Sheets



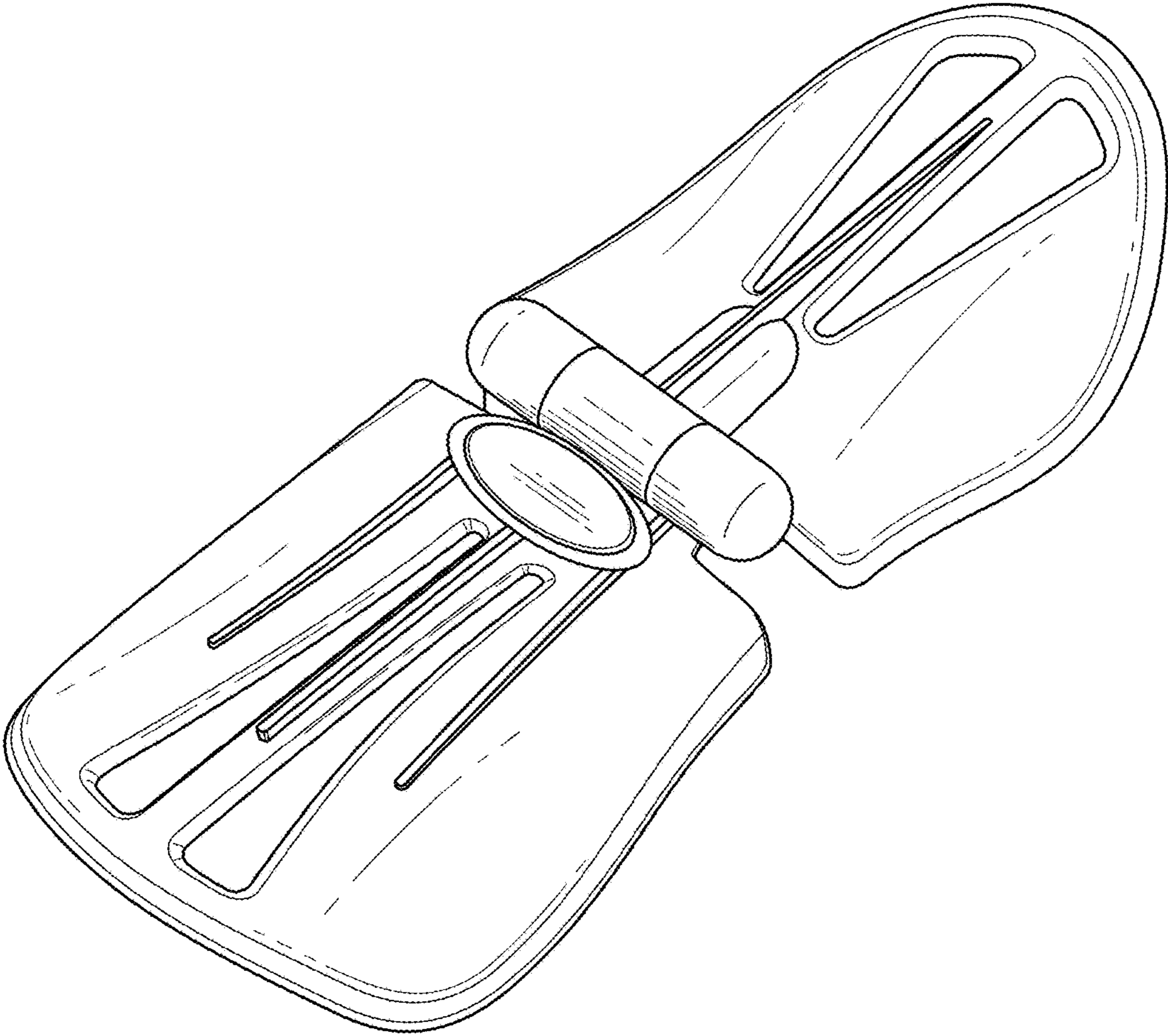


FIG. 1

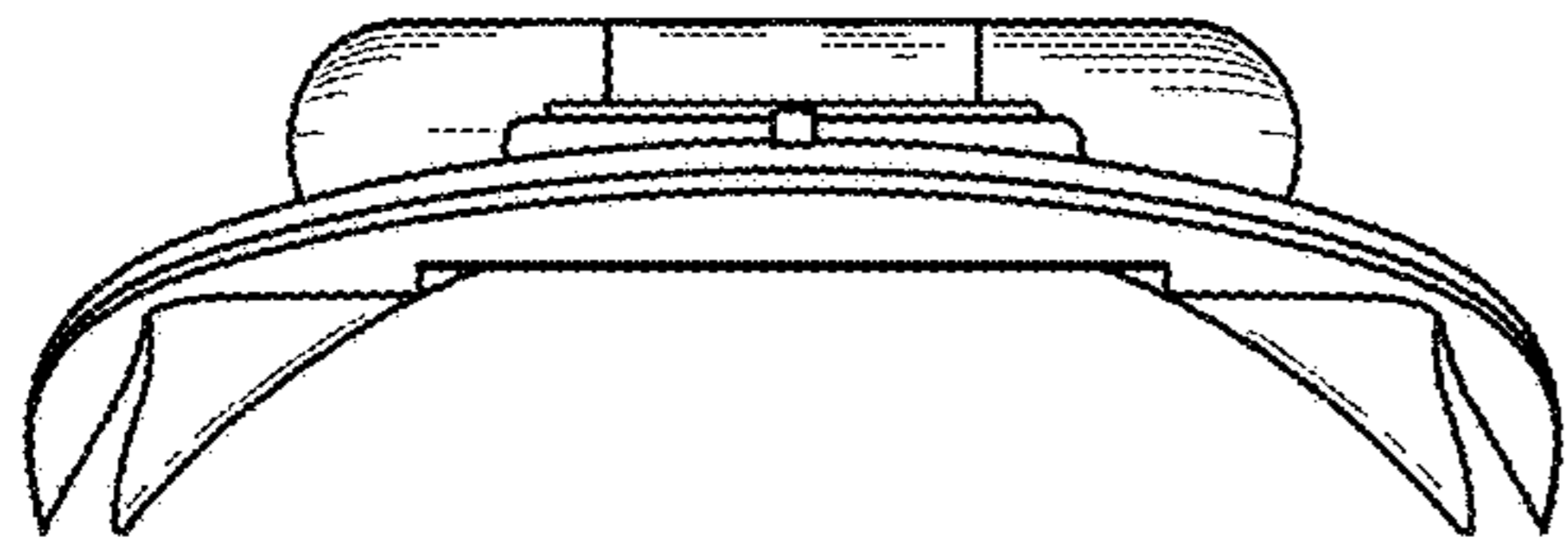


FIG. 2

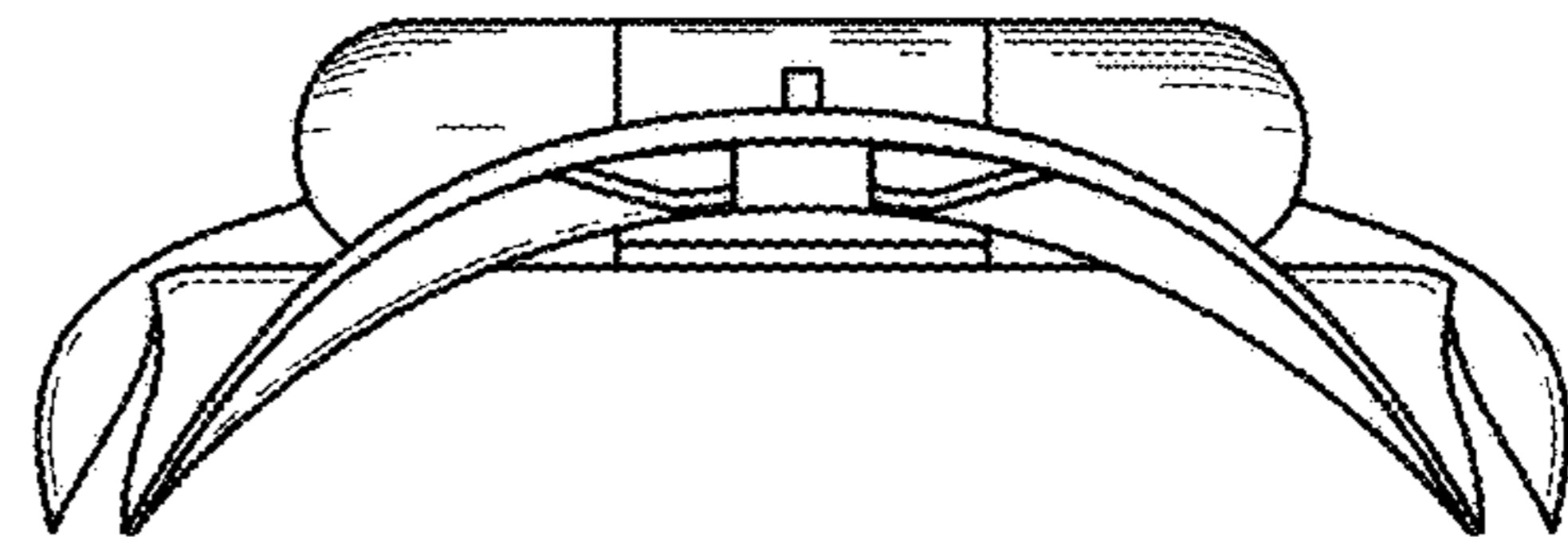


FIG. 3

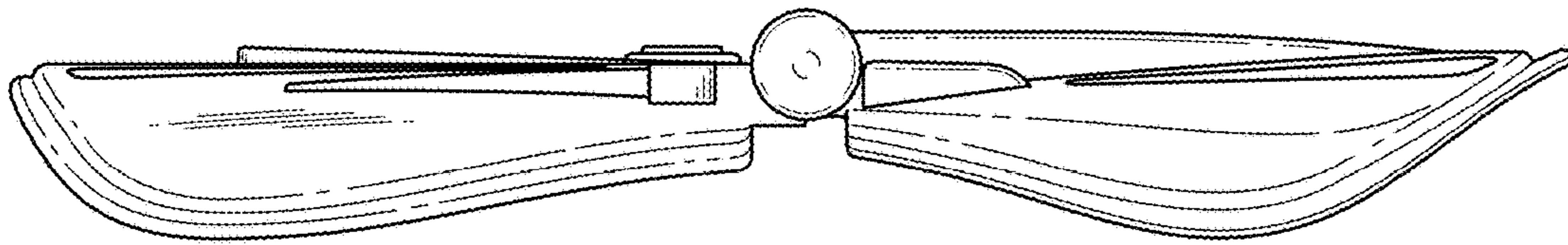


FIG. 4

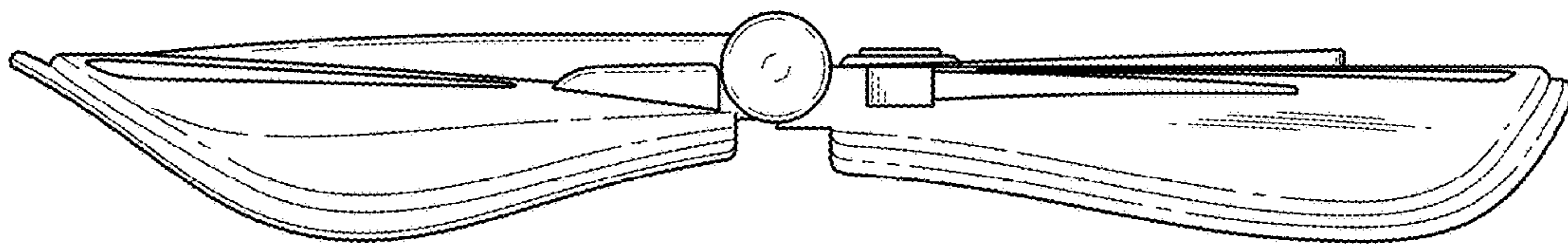


FIG. 5

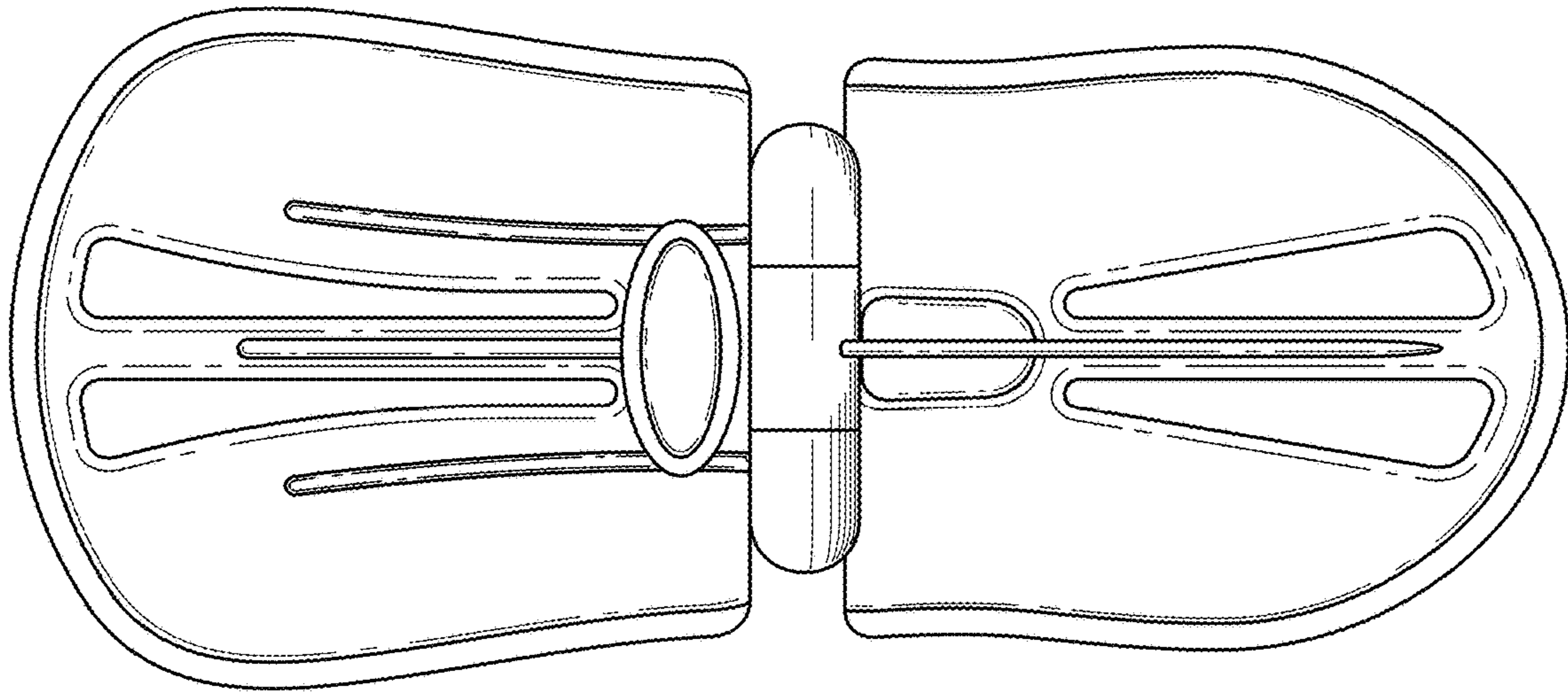


FIG. 6

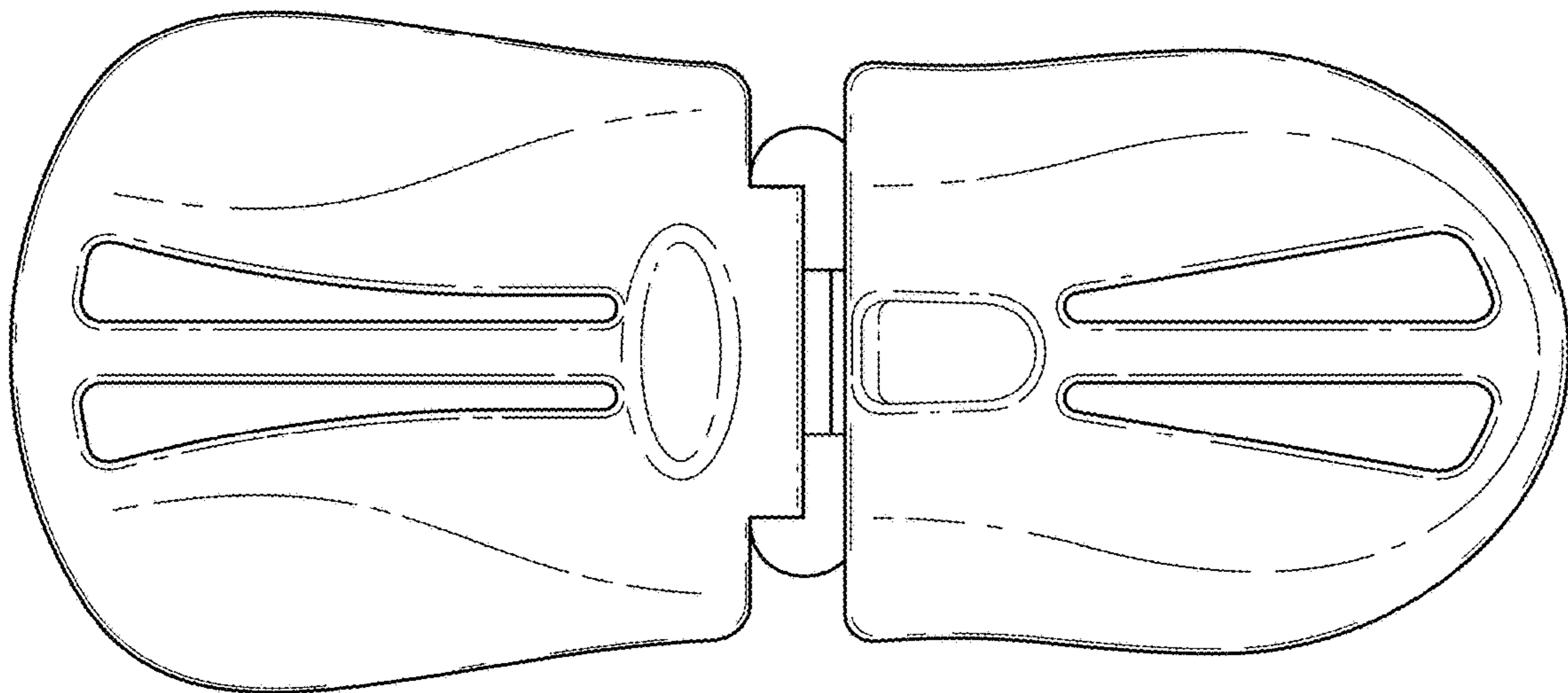


FIG. 7