



US00D808027S

(12) **United States Design Patent**
Lane et al.

(10) **Patent No.:** **US D808,027 S**
(45) **Date of Patent:** **** Jan. 16, 2018**

(54) **MOLDABLE WRIST BRACE**

(71) Applicant: **Scott Specialties, Inc.**, Belleville, KS (US)

(72) Inventors: **Meghan Lane**, Cavan (CA); **Martin Paul Onrot**, Boynton Beach, FL (US); **Antonio Vitale**, LaSalle (CA); **Teresa Champlin**, Concordia, KS (US); **Melva Nondorf**, Belleville, KS (US); **Melissa Novak**, Narka, KS (US)

(**) Term: **15 Years**

(21) Appl. No.: **29/570,963**

(22) Filed: **Jul. 13, 2016**

(51) **LOC (11) Cl.** **24-01**

(52) **U.S. Cl.**
USPC **D24/190**

(58) **Field of Classification Search**
USPC D24/190
CPC .. A61F 5/0118; A61F 5/0123; A61F 5/05866; A61H 3/00; A61H 2003/007; A61H 2205/10

See application file for complete search history.

5,713,837 A * 2/1998 Grim A61F 5/0111 602/21

D392,072 S 3/1998 Levine

5,759,166 A 6/1998 Nelson et al.

6,013,045 A 1/2000 Gaylord

6,142,966 A 11/2000 Hely

6,146,348 A * 11/2000 Slautterback A61F 5/05866 602/21

6,186,969 B1 * 2/2001 Bell A61F 5/0118 602/64

6,190,344 B1 2/2001 Bobroff

6,196,985 B1 3/2001 Slautterback

D456,081 S 4/2002 Bell et al.

6,383,157 B1 5/2002 Massi et al.

6,398,748 B1 * 6/2002 Wilson A61F 5/0118 128/869

D461,600 S 8/2002 Domanski et al.

D461,901 S 8/2002 Rodgers

(Continued)

Primary Examiner — Charles D Hanson
(74) *Attorney, Agent, or Firm* — Erickson Kernell IP, LLC

(57) **CLAIM**
The ornamental design for a moldable wrist brace, as shown and described.

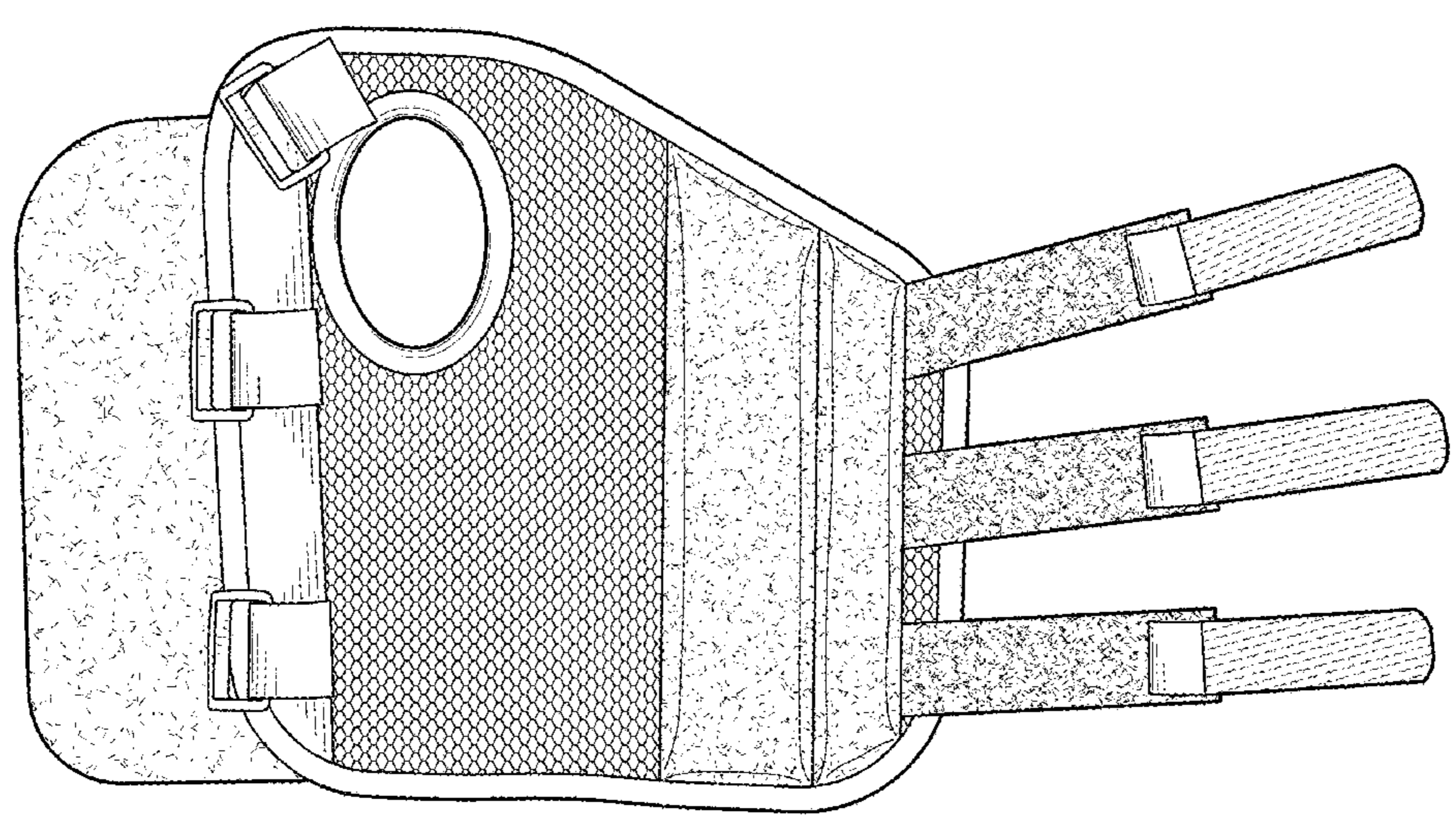
DESCRIPTION

FIG. 1 is a front side plan view of a moldable wrist brace in accordance with the present invention;
FIG. 2 is a back side plan view of the moldable wrist brace of FIG. 1;
FIG. 3 is a top edge elevational view of the moldable wrist brace of FIG. 1;
FIG. 4 is a bottom edge elevational view of the moldable wrist brace of FIG. 1;
FIG. 5 is an elevational view of the left end of the moldable wrist brace of FIG. 1; and,
FIG. 6 is an elevational view of the right end of the moldable wrist brace of FIG. 1.

1 Claim, 4 Drawing Sheets

(56) **References Cited**
U.S. PATENT DOCUMENTS

949,716 A	2/1910	Quenzer
3,512,776 A	5/1970	Thomas
4,040,632 A	8/1977	Pawl
4,183,098 A	1/1980	Knowles, Jr.
4,300,543 A	11/1981	Rhee
4,441,490 A	4/1984	Nirschl
RE32,566 E	12/1987	Patton, Jr.
5,072,725 A	12/1991	Miller
5,160,314 A	11/1992	Peters
5,388,273 A	2/1995	Sydor et al.
5,426,791 A	6/1995	Sydor et al.
5,484,392 A	1/1996	Sydor et al.
5,538,501 A	7/1996	Caswell



(56)

References Cited

U.S. PATENT DOCUMENTS

6,582,382	B2	6/2003	Domanski et al.	
D477,088	S	7/2003	Brown et al.	
6,702,772	B1	3/2004	Colditz	
D499,184	S	11/2004	Mills et al.	
7,037,286	B1	5/2006	Reinhardt	
7,056,298	B1	6/2006	Weber	
7,276,039	B2 *	10/2007	Garellick	A61F 5/0118 602/21
7,318,812	B2	1/2008	Taylor et al.	
D565,189	S	3/2008	Gramza et al.	
D580,064	S	11/2008	Lin et al.	
D580,555	S	11/2008	Lin et al.	
D581,539	S *	11/2008	Rotter	D24/190
7,568,238	B2	8/2009	Schossberger et al.	
D603,969	S *	11/2009	Bauerfeind	D24/190
D617,464	S	6/2010	Weaver, II et al.	
7,780,614	B2	8/2010	Bruce et al.	
D645,564	S	9/2011	Hinds	
D656,685	S	3/2012	Best et al.	
D665,088	S	8/2012	Joseph	
8,398,573	B2	3/2013	Howard	
D696,784	S *	12/2013	Ibrahim	D24/190
D767,774	S *	9/2016	Wellendorf	D24/190
D777,334	S *	1/2017	Souney	D24/190
D779,075	S *	2/2017	Fried	D24/190
2003/0191421	A1	10/2003	Weaver, II et al.	
2007/0197944	A1	8/2007	Bruce et al.	
2009/0187126	A1	7/2009	Nelson	
2015/0018738	A1 *	1/2015	Fried	A61F 5/013 602/21
2015/0374528	A1 *	12/2015	Mueller	A61F 5/0118 602/21
2017/0014257	A1	1/2017	Vvellendorf et al.	

* cited by examiner

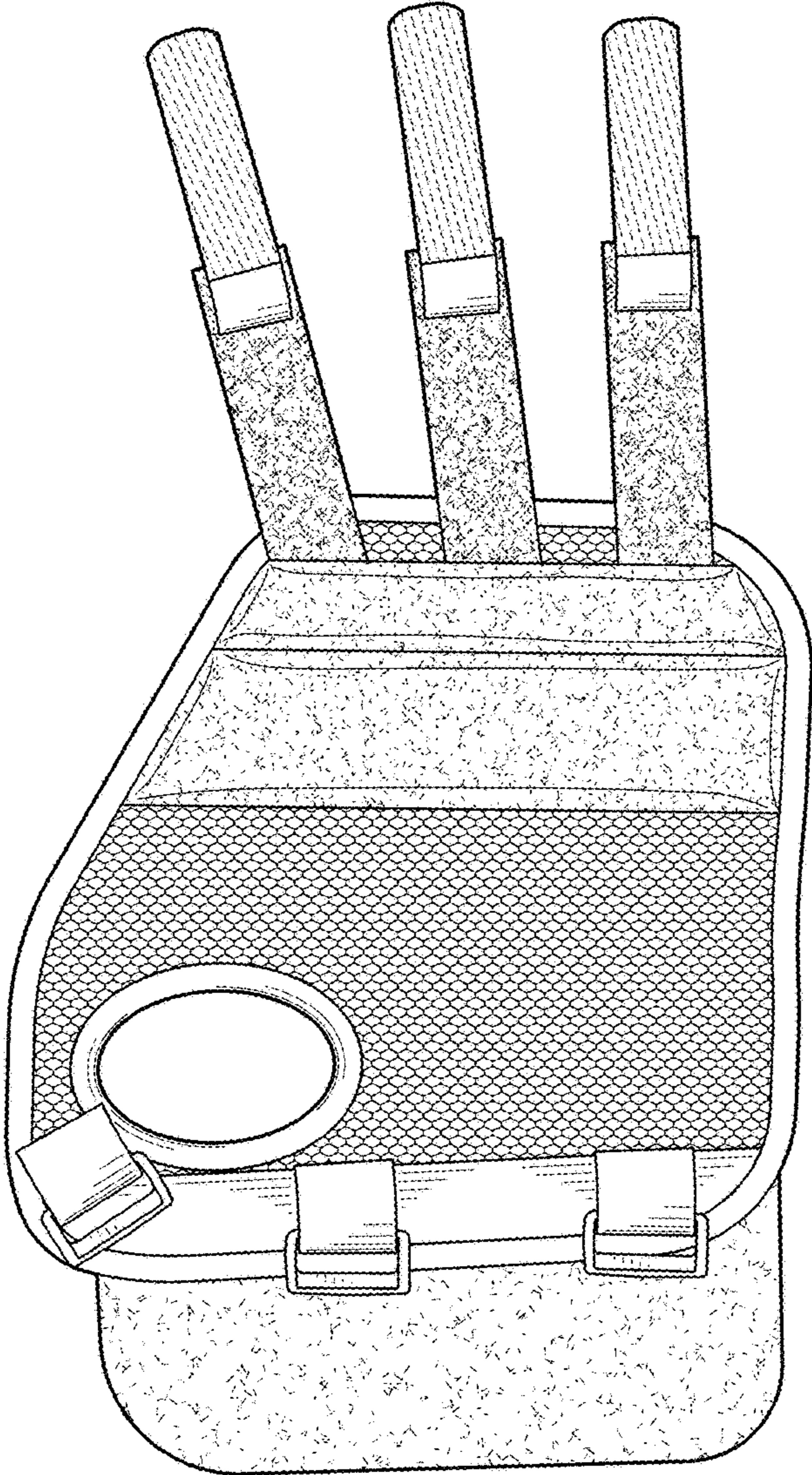


Fig. 1

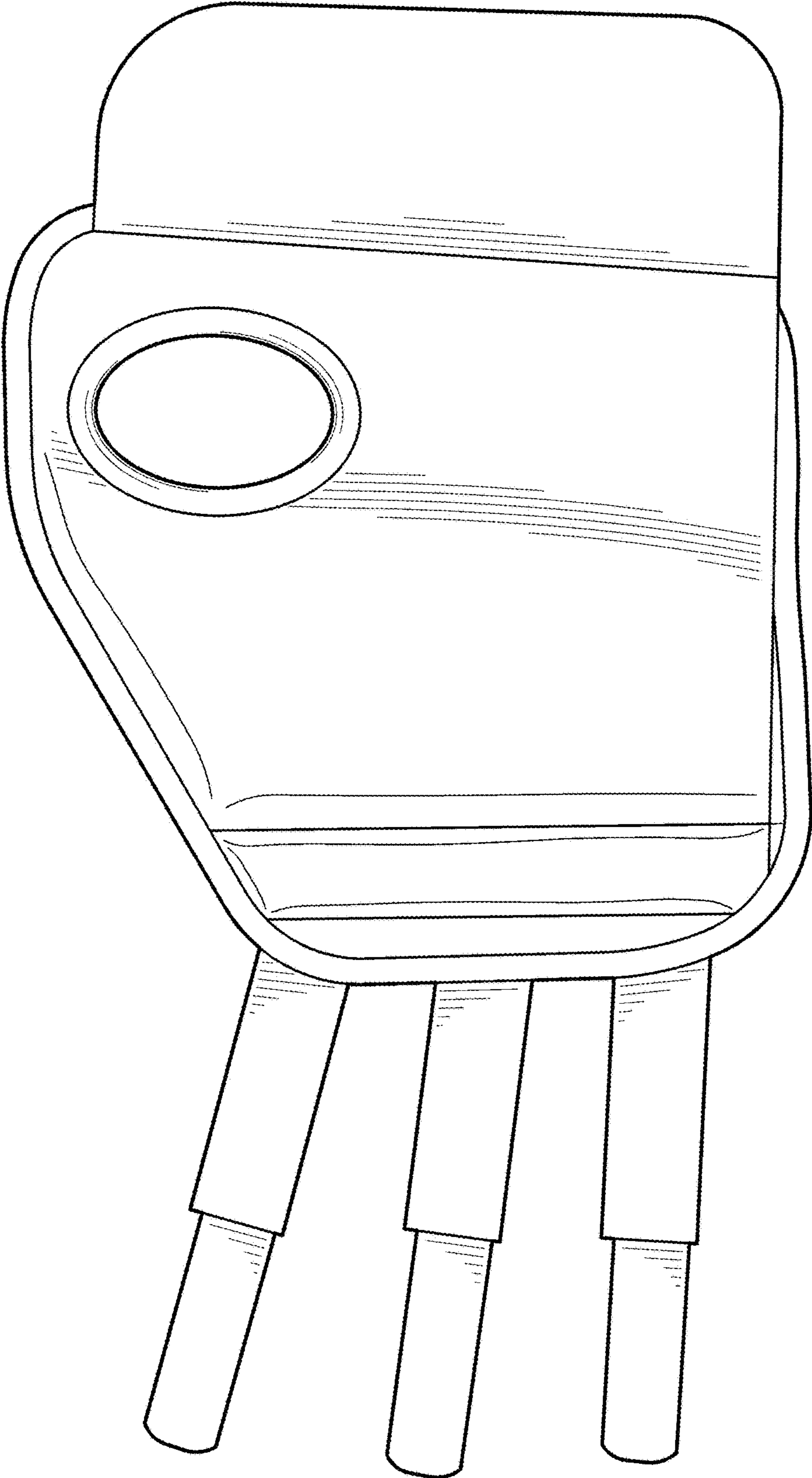


Fig. 2

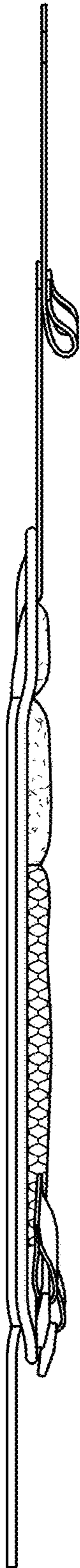


Fig. 3



Fig. 4

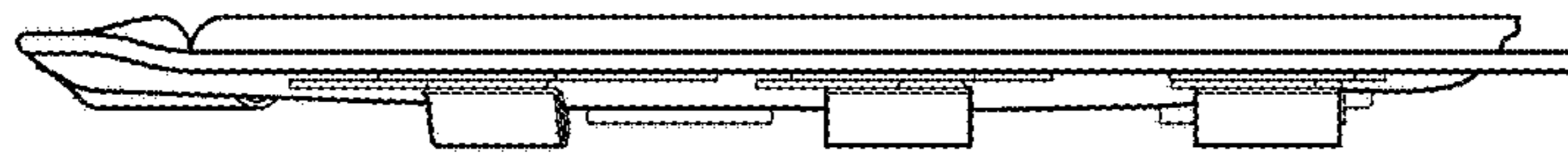


Fig. 6



Fig. 5