



US00D808024S

(12) **United States Design Patent** (10) **Patent No.:** **US D808,024 S**
Moore (45) **Date of Patent:** **** Jan. 16, 2018**

- (54) **BORDER DRESSING**
- (71) Applicant: **Aspen Surgical Products, Inc.**,
Caledonia, MI (US)
- (72) Inventor: **Nicholas Moore**, Grand Rapids, MI
(US)
- (73) Assignee: **Aspen Surgical Products, Inc.**,
Caledonia, MI (US)
- (**) Term: **15 Years**
- (21) Appl. No.: **29/573,214**
- (22) Filed: **Aug. 3, 2016**
- (51) **LOC (11) Cl.** **24-01**
- (52) **U.S. Cl.**
USPC **D24/189**
- (58) **Field of Classification Search**
USPC D24/189
CPC A61F 13/0273; A61F 13/00021; A61F
13/00063; A61F 13/023; A61F 13/06;
A61F 13/126; A61F 13/0226; A61F
13/0246; A61F 13/025; A61F 13/539;
A61F 2013/00217
See application file for complete search history.

5,160,315 A	11/1992	Heinecke et al.
5,437,622 A	8/1995	Carion
5,520,629 A	5/1996	Heinecke et al.
5,531,855 A	7/1996	Heinecke et al.
5,738,642 A	4/1998	Heinecke et al.
5,951,505 A	9/1999	Gilman et al.
5,985,990 A	11/1999	Kantner et al.
6,008,429 A	12/1999	Ritger et al.
D430,674 S *	9/2000	Dunshee D24/189
6,121,508 A	9/2000	Bischof et al.
6,124,520 A	9/2000	Roberts
6,124,521 A	9/2000	Roberts
6,149,614 A	11/2000	Dunshee et al.
6,169,224 B1	1/2001	Heinecke et al.
D454,955 S	3/2002	Dunshee

(Continued)

Primary Examiner — Charles D Hanson
(74) *Attorney, Agent, or Firm* — Price Heneveld LLP

(57) **CLAIM**

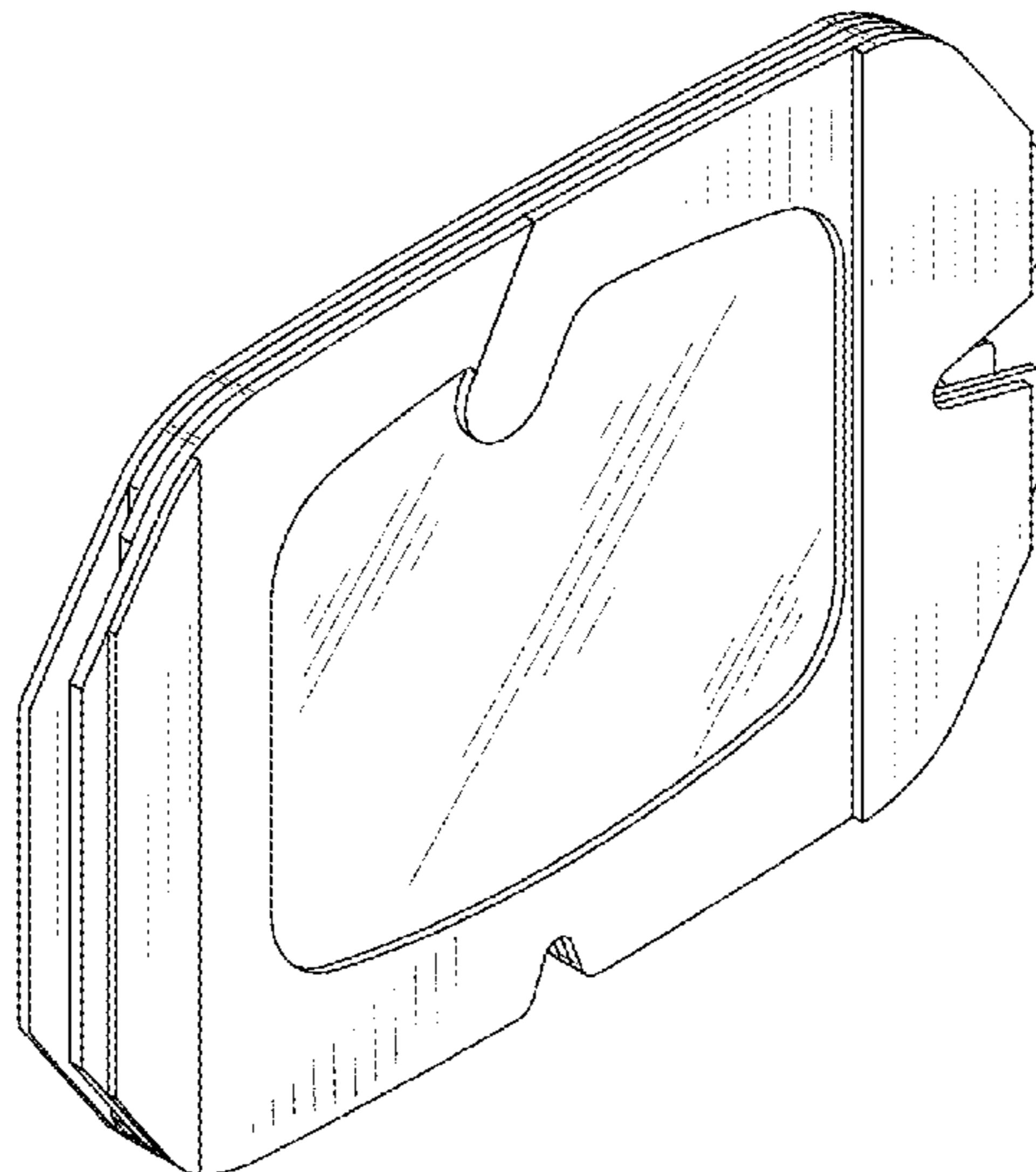
I claim the ornamental design for a border dressing, as shown and described.

DESCRIPTION

FIG. 1 is a front perspective view of a border dressing of the present disclosure;
FIG. 2 is a rear perspective view of the border dressing of FIG. 1;
FIG. 3 is a front elevational view of the border dressing of FIG. 1;
FIG. 4 is a rear elevational view of the border dressing of FIG. 1;
FIG. 5 is a first side elevational view of the border dressing of FIG. 1;
FIG. 6 is a second side elevational view of the border dressing of FIG. 1;
FIG. 7 is a top plan view of the border dressing of FIG. 1;
and,
FIG. 8 is a bottom plan view of the border dressing of FIG. 1.

1 Claim, 4 Drawing Sheets

- (56) **References Cited**
U.S. PATENT DOCUMENTS
4,372,303 A 2/1983 Grossmann et al.
4,485,809 A 12/1984 Dellas
4,561,435 A 12/1985 McKnight et al.
4,641,643 A 2/1987 Greer
4,664,106 A 5/1987 Snedeker et al.
4,753,232 A 6/1988 Ward et al.
4,917,112 A 4/1990 Kalt et al.
4,919,654 A 4/1990 Kalt
5,088,483 A 2/1992 Heinecke et al.
5,147,698 A 9/1992 Cole
5,153,040 A 10/1992 Faasse et al.



(56)

References Cited

U.S. PATENT DOCUMENTS

6,512,158 B1 1/2003 Dobos
 6,685,682 B1 2/2004 Heinecke et al.
 6,706,940 B2 3/2004 Worthley
 D493,230 S 7/2004 Liedtke et al.
 6,797,855 B2 9/2004 Worthley
 6,809,230 B2 10/2004 Hancock et al.
 6,838,589 B2 1/2005 Liedtke
 6,841,715 B2 1/2005 Roberts
 D503,982 S 4/2005 Liedtke
 6,884,920 B2 4/2005 Worthley
 6,923,320 B2 8/2005 Grossman
 D511,005 S 10/2005 Liedtke et al.
 6,966,320 B1 11/2005 Baynes
 6,998,511 B2 2/2006 Worthley
 7,025,749 B2 4/2006 Propp
 7,049,479 B2 5/2006 Cleary et al.
 7,094,944 B2 8/2006 Faasse, Jr.
 7,119,247 B2 10/2006 Worthley
 7,294,751 B2 11/2007 Propp et al.
 7,294,752 B1 11/2007 Propp
 7,317,134 B2 1/2008 Faasse, Jr.
 7,563,941 B2 7/2009 Lebner et al.
 7,585,554 B2 9/2009 Johnson et al.
 7,598,298 B2 10/2009 Lewandowski et al.
 7,626,070 B2 12/2009 Propp
 7,659,323 B2 2/2010 Lewandowski et al.
 7,674,948 B2 3/2010 Propp et al.
 7,723,561 B2 5/2010 Propp
 7,812,212 B2* 10/2010 Propp A61M 25/02
 602/41
 7,888,546 B2 2/2011 Marcoux et al.
 D634,423 S 3/2011 Heinecke et al.
 8,049,057 B2 11/2011 Propp
 8,049,058 B2 11/2011 Propp
 8,053,623 B2 11/2011 Propp
 8,053,624 B2* 11/2011 Propp A61M 25/02
 602/41
 8,110,718 B2 2/2012 Heinecke
 8,153,394 B2 4/2012 Booher
 8,212,101 B2* 7/2012 Propp A61F 13/0269
 602/41
 D679,402 S * 4/2013 Conrad-Vlasak D24/189
 D679,403 S * 4/2013 Heinecke D24/189
 8,497,407 B2 7/2013 Fabo et al.
 D687,555 S * 8/2013 Peterson D24/189

D688,377 S 8/2013 Heinecke et al.
 D690,425 S * 9/2013 Heinecke D24/189
 8,546,637 B2 10/2013 Holm et al.
 8,561,796 B2 10/2013 Hatanaka et al.
 D693,010 S 11/2013 Mosa et al.
 D695,901 S * 12/2013 Heinecke D24/189
 D712,046 S * 8/2014 Igwebuike D24/189
 D712,551 S * 9/2014 Igwebuike D24/189
 8,871,464 B2 10/2014 Booher
 8,893,887 B2 11/2014 Reinhardt et al.
 D723,175 S * 2/2015 Igwebuike D24/189
 D723,703 S * 3/2015 Igwebuike D24/189
 9,017,301 B2 4/2015 Tang
 9,168,180 B2 10/2015 Ha et al.
 9,186,283 B2 11/2015 Ferris
 D745,973 S 12/2015 Russo
 9,242,022 B2 1/2016 Asmus et al.
 9,271,876 B2 3/2016 Fabo et al.
 9,278,155 B2 3/2016 Asmus et al.
 9,295,749 B2 3/2016 Addison et al.
 D755,962 S 5/2016 Adams et al.
 9,326,952 B2 5/2016 Iwao et al.
 9,457,123 B2 10/2016 Holm et al.
 D790,714 S * 6/2017 Addison D24/189
 2004/0143220 A1 7/2004 Worthley
 2008/0063695 A1 3/2008 Vitaris
 2008/0114278 A1 5/2008 Fabo et al.
 2008/0312574 A1 12/2008 Pemot
 2009/0018475 A1 1/2009 Lesca
 2009/0062711 A1 3/2009 Lewandowski et al.
 2009/0187130 A1 7/2009 Asmus et al.
 2009/0240187 A1 9/2009 Johnson et al.
 2010/0022961 A1 1/2010 Dewey
 2010/0318052 A1* 12/2010 Ha A61F 13/02
 604/385.01
 2011/0166492 A1 7/2011 Holm et al.
 2013/0310754 A1 11/2013 Kutsch
 2014/0005607 A1 1/2014 Elsamahy et al.
 2014/0257242 A1 9/2014 Sung
 2014/0303574 A1 10/2014 Knutson
 2015/0025436 A1 1/2015 Tang et al.
 2015/0141949 A1 5/2015 Decabooter et al.
 2015/0150731 A1 6/2015 Hatanaka et al.
 2015/0252215 A1 9/2015 Sanghi et al.
 2016/0030248 A1 2/2016 Potters
 2016/0038345 A1 2/2016 Ha et al.
 2016/0067106 A1 3/2016 Howell et al.

* cited by examiner

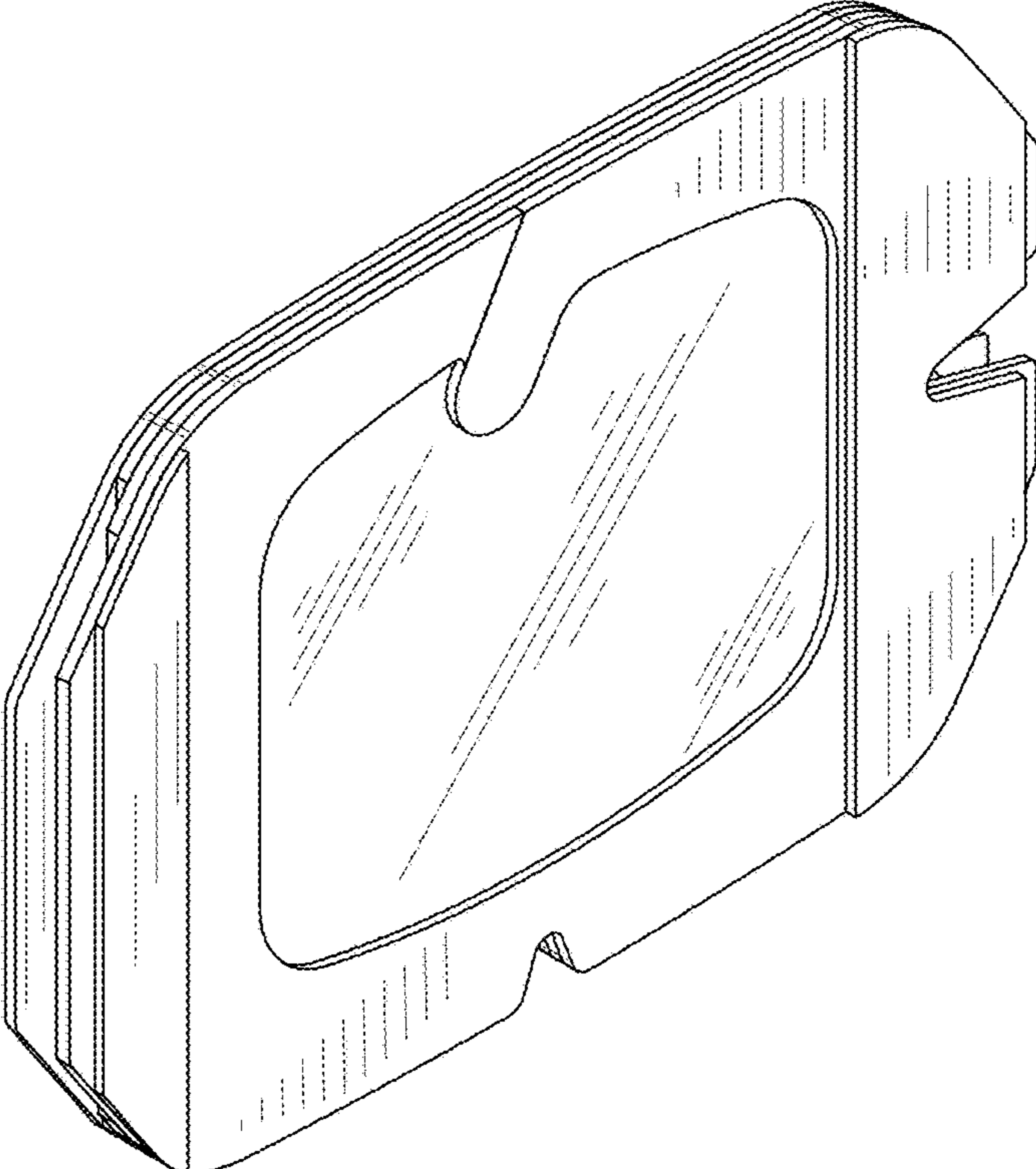


FIG. 1

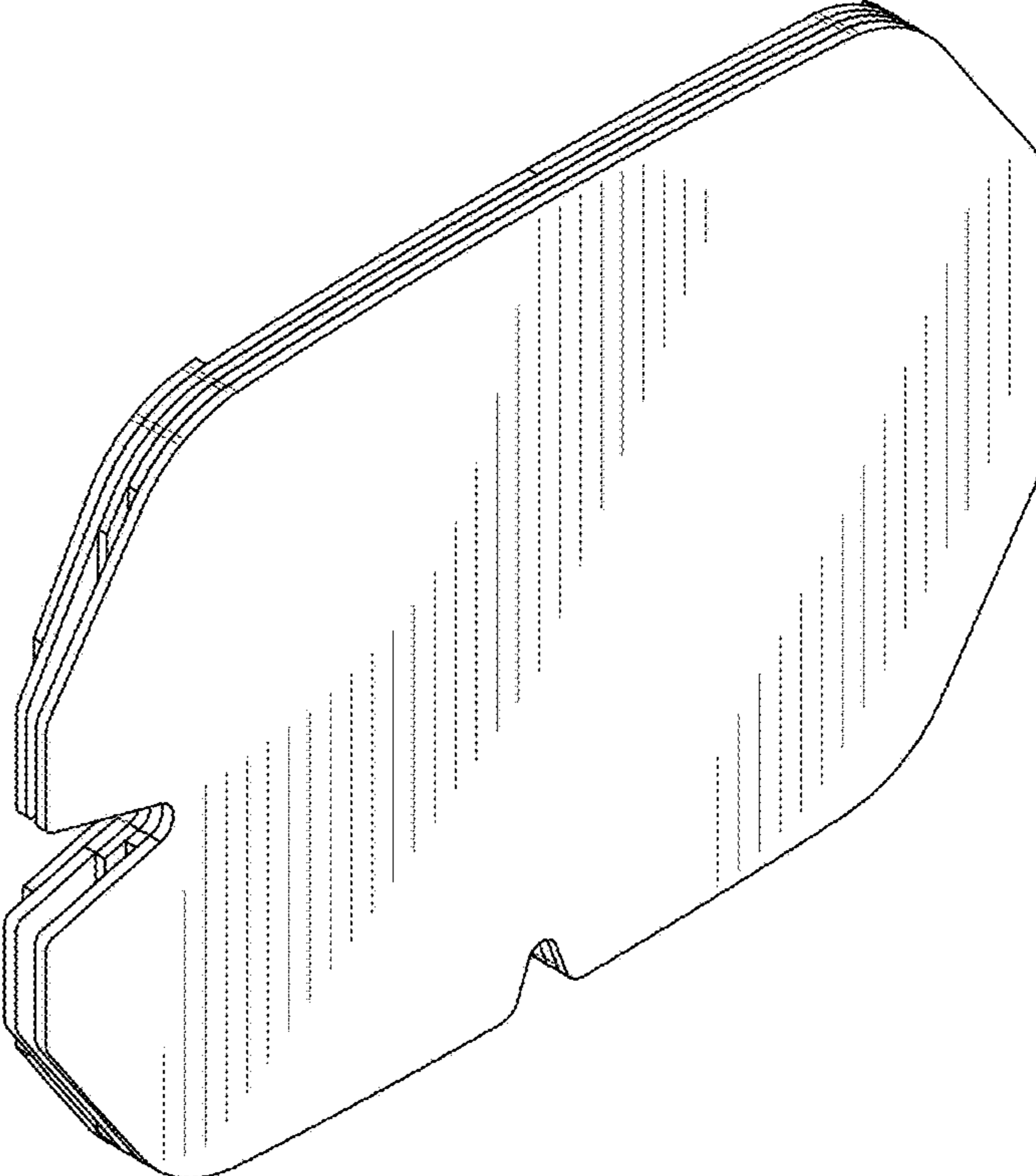


FIG. 2

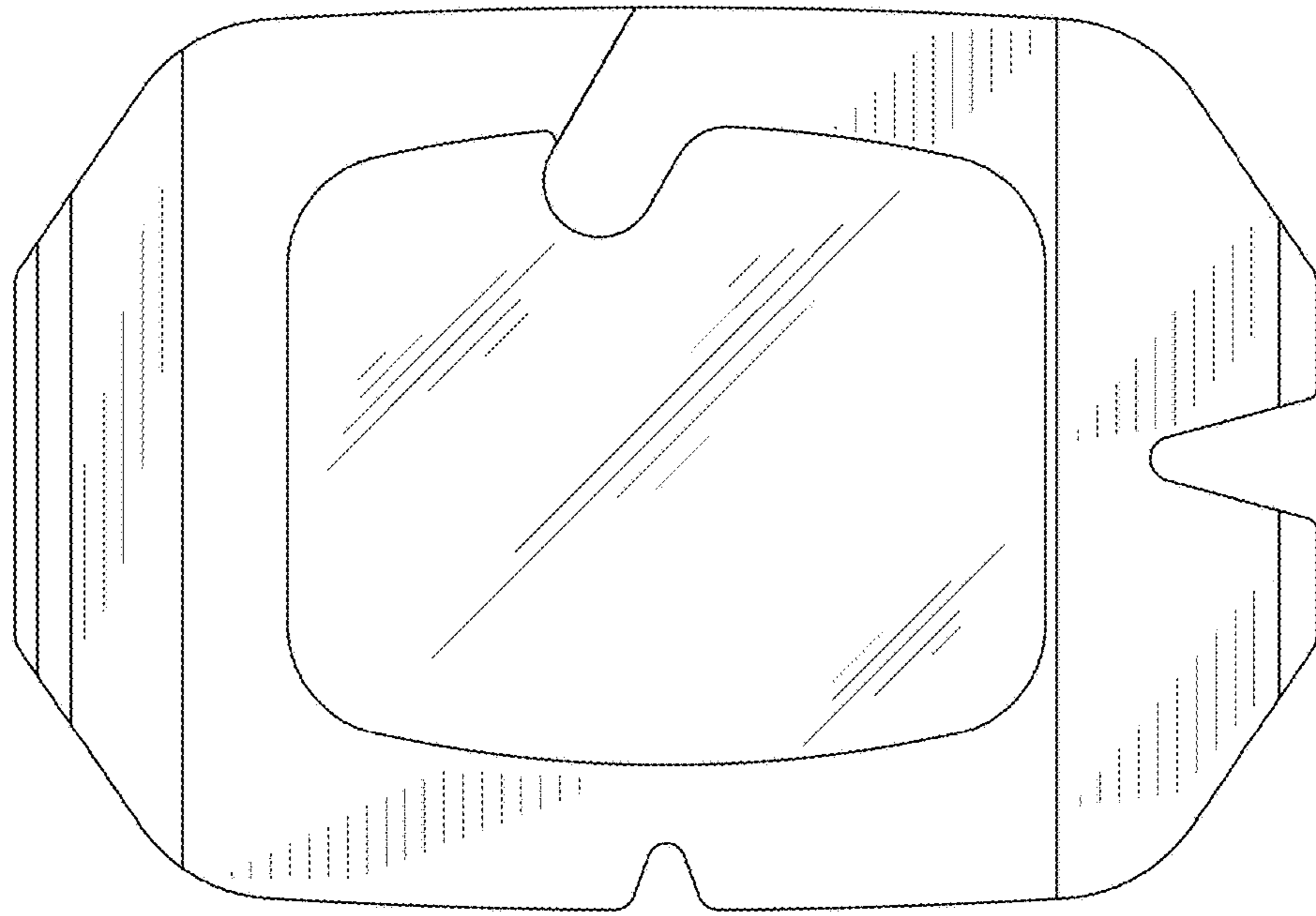


FIG. 3

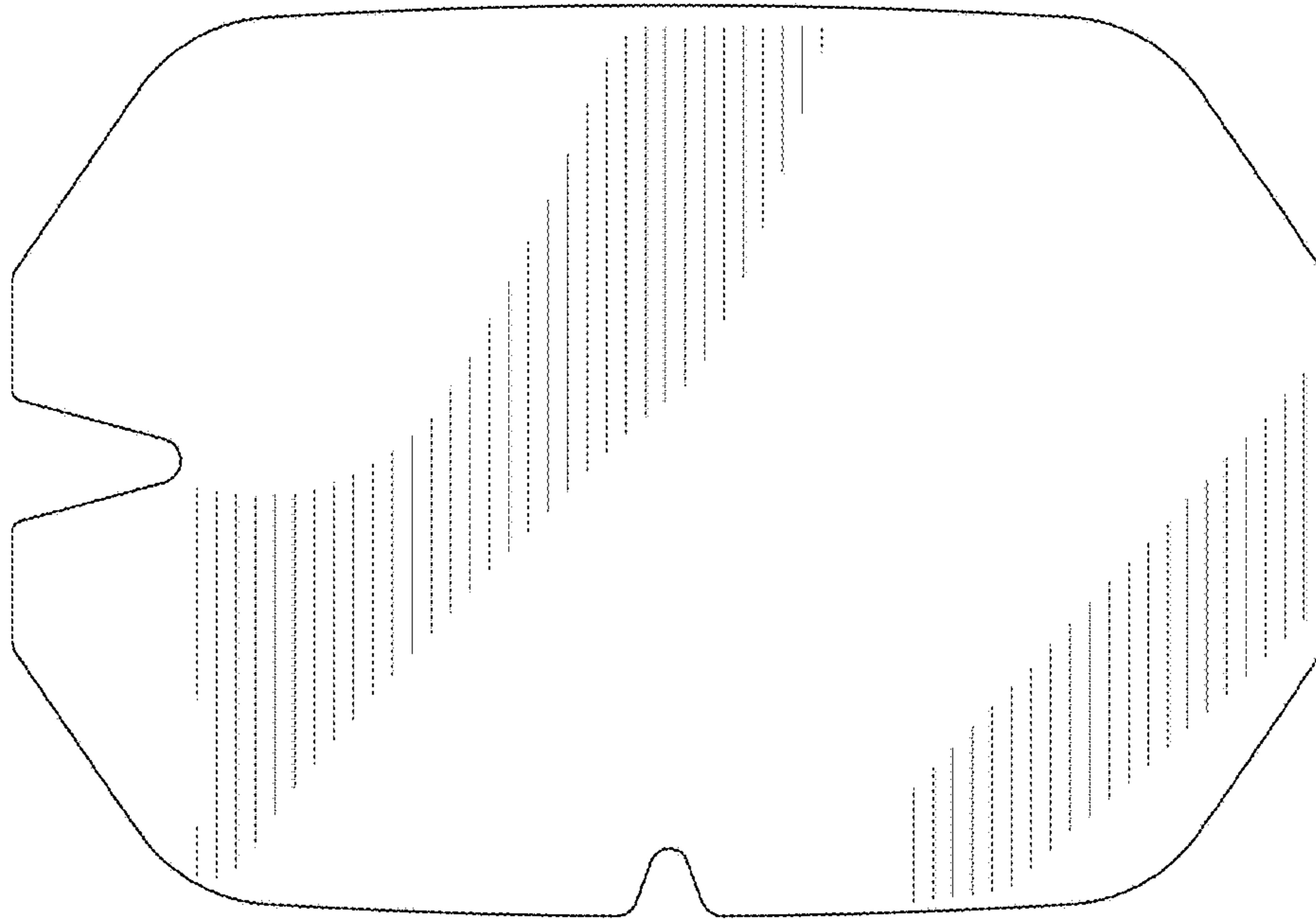


FIG. 4



FIG. 5



FIG. 6

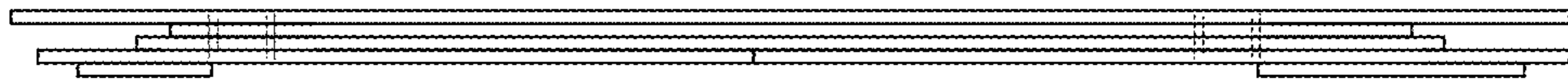


FIG. 7

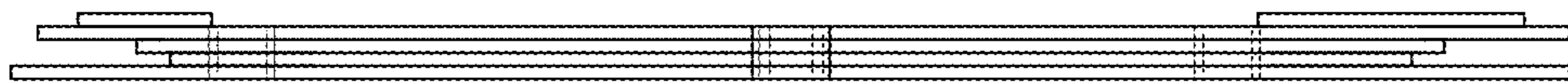


FIG. 8