



US00D808023S

(12) **United States Design Patent** (10) **Patent No.:** **US D808,023 S**
Farris et al. (45) **Date of Patent:** **** Jan. 16, 2018**

(54) **MOVEMENT ASSISTANCE DEVICE—HIP COMPONENT**

5,472,401 A 12/1995 Rouillard
5,980,435 A * 11/1999 Joutras A43B 1/0054
482/114
6,331,152 B1 * 12/2001 Holle A47C 3/02
434/55

(71) Applicant: **Parker-Hannifin Corporation**,
Cleveland, OH (US)

(Continued)

(72) Inventors: **Ryan Farris**, Hartville, OH (US); **Mike Clausen**, Turlock, CA (US); **Edgar Wilson**, Toledo, OH (US)

Primary Examiner — Michael A. Pratt
Assistant Examiner — Michelle E Wilson

(73) Assignee: **Parker-Hannifin Corporation**,
Cleveland, OH (US)

(74) *Attorney, Agent, or Firm* — Renner, Otto, Boisselle & Sklar, LLP

(**) Term: **15 Years**

(57) **CLAIM**

The ornamental design for a movement assistance device—hip component, as shown and described.

(21) Appl. No.: **29/584,606**

DESCRIPTION

(22) Filed: **Nov. 16, 2016**

Related U.S. Application Data

(62) Division of application No. 29/486,534, filed on Mar. 31, 2014, now Pat. No. Des. 774,198.

(51) **LOC (11) Cl.** **24-04**

(52) **U.S. Cl.**
USPC **D24/188**

(58) **Field of Classification Search**
USPC D24/183, 188, 190
CPC A61H 33/0087; A61H 33/0095; A61H
2033/0016; A63B 22/02
See application file for complete search history.

FIG. 1 is a front perspective view of a movement assistance device—hip component showing my design.
FIG. 2 is left side view thereof, the right side view being a mirror image thereof.
FIG. 3 is rear view thereof.
FIG. 4 is a front view thereof.
FIG. 5 is a top view thereof.
FIG. 6 is a bottom view thereof.
FIG. 7 is a front perspective view thereof, with the adjustment wings removed.
FIG. 8 is a front view thereof.
FIG. 9 is rear view thereof.
FIG. 10 is a left side view thereof, the right side view being a mirror image thereof.
FIG. 11 is a top view thereof; and,
FIG. 12 is a bottom view thereof.

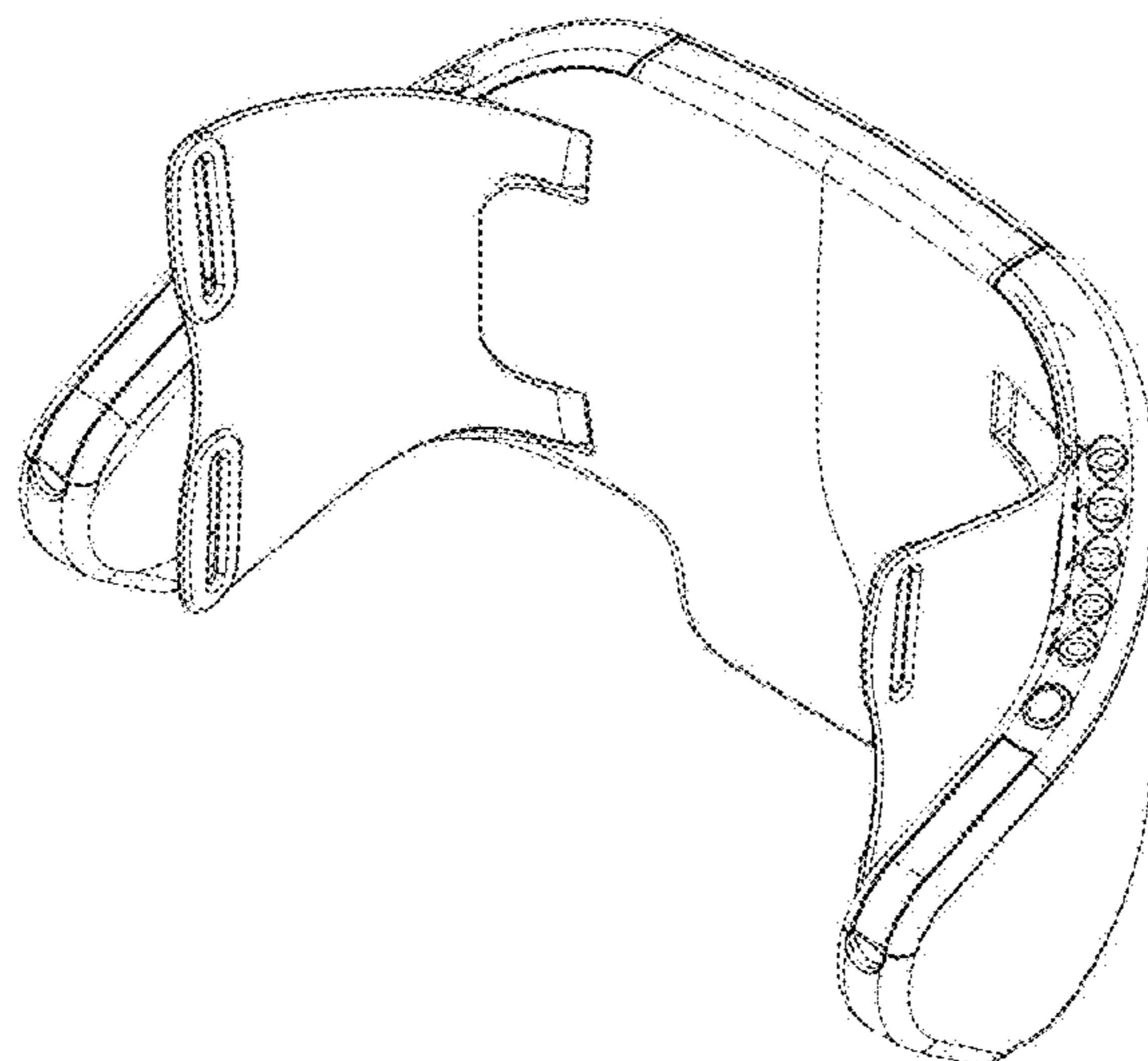
(56) **References Cited**

U.S. PATENT DOCUMENTS

3,491,385 A 1/1970 Werner
3,672,361 A 6/1972 Fourneron
4,102,336 A 7/1978 Wiener
4,817,588 A * 4/1989 Bledsoe A61F 5/0125
602/16
4,915,101 A 4/1990 Cuccia
5,282,834 A 2/1994 Remy
D346,028 S * 4/1994 Lengyel D24/190

It is understood that the appearance of any part of the article not shown in the drawing or described in the specification forms no part of the claimed design.
The broken lines shown in the figures represent portions of the movement assistance device—hip component that form no part of the claimed design.

1 Claim, 7 Drawing Sheets



(56)

References Cited

U.S. PATENT DOCUMENTS

6,428,496 B1	8/2002	Sargent					
6,436,065 B1 *	8/2002	Mitchell	A61F 5/01			
					2/44		
6,976,944 B1	12/2005	Damasio					
D530,426 S *	10/2006	Muehlenberend	D24/190			
7,144,353 B2	12/2006	Sjuragari					
D546,955 S *	7/2007	Bauerfiend	D24/190			
D660,971 S *	5/2012	Franke	D24/192			
8,301,575 B2 *	10/2012	Bonnet	A61B 5/1116			
					600/545		
D693,930 S *	11/2013	Manalo	D24/190			
D726,925 S *	4/2015	Fraser	D24/190			
D731,663 S *	6/2015	Jung	D24/190			
2002/0188238 A1 *	12/2002	Townsend	A61F 5/0125			
					602/26		
2006/0052732 A1 *	3/2006	Shimada	A61F 5/0102			
					602/5		
2006/0155232 A1 *	7/2006	Ceriani	A61F 5/0125			
					602/23		
2008/0188784 A1 *	8/2008	Ceriani	A61F 5/0123			
					602/16		
2010/0262052 A1 *	10/2010	Lunau	A61B 5/6828			
					602/5		
2011/0009786 A1 *	1/2011	Chan	A61F 5/0125			
					602/16		
2011/0082402 A1 *	4/2011	Oddou	A61F 5/0125			
					602/16		
2011/0282255 A1 *	11/2011	Nace	A61F 5/0123			
					602/16		
2013/0006159 A1 *	1/2013	Nakashima	A61H 1/024			
					602/23		
2013/0012852 A1 *	1/2013	Imaida	A61F 5/01			
					602/16		
2014/0339391 A1 *	11/2014	Hsu	A61G 5/046			
					248/371		
2015/0099970 A1 *	4/2015	Schluesselberger	.	B25J 17/0208			
					600/437		

* cited by examiner

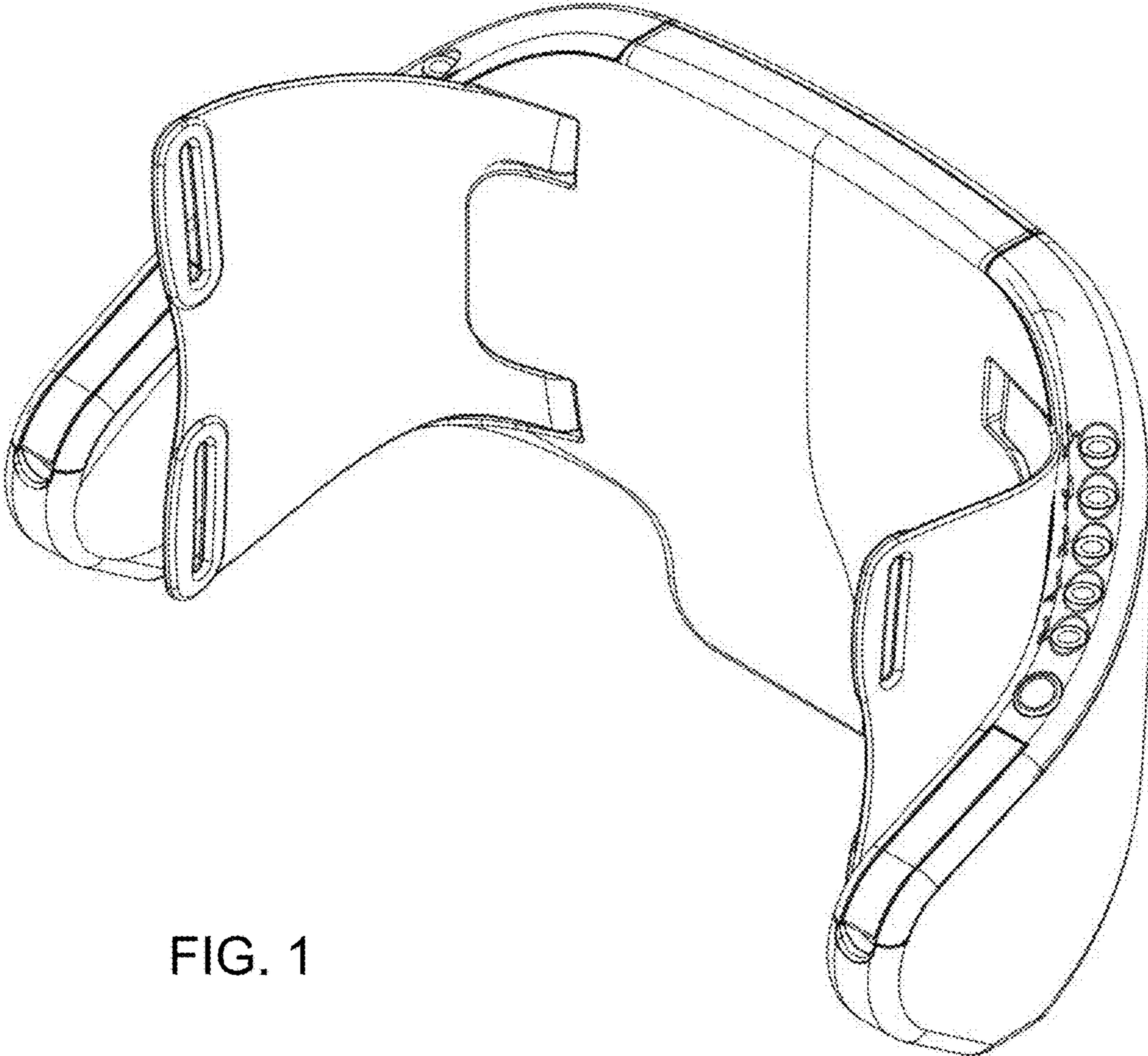


FIG. 1

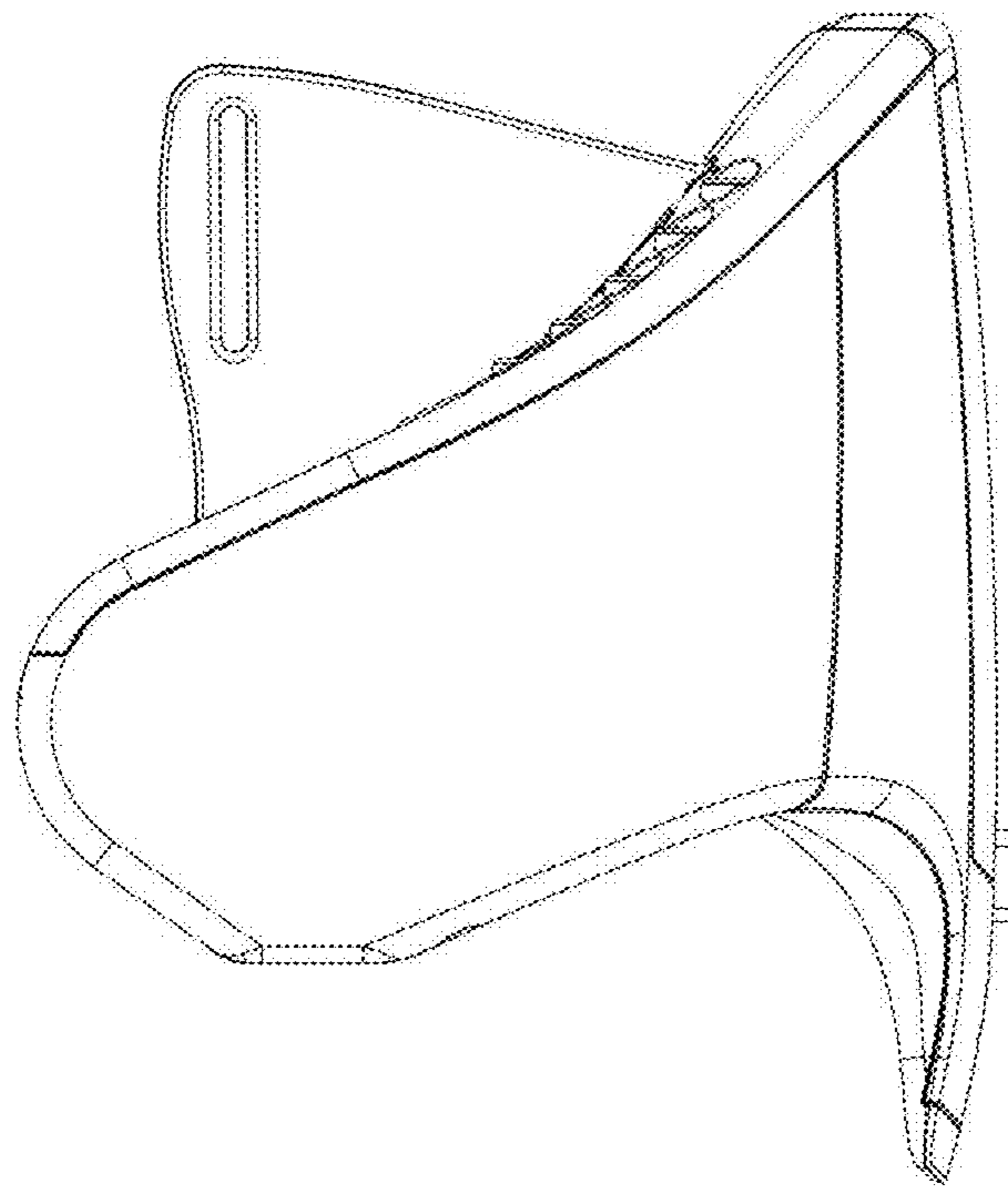


FIG. 2

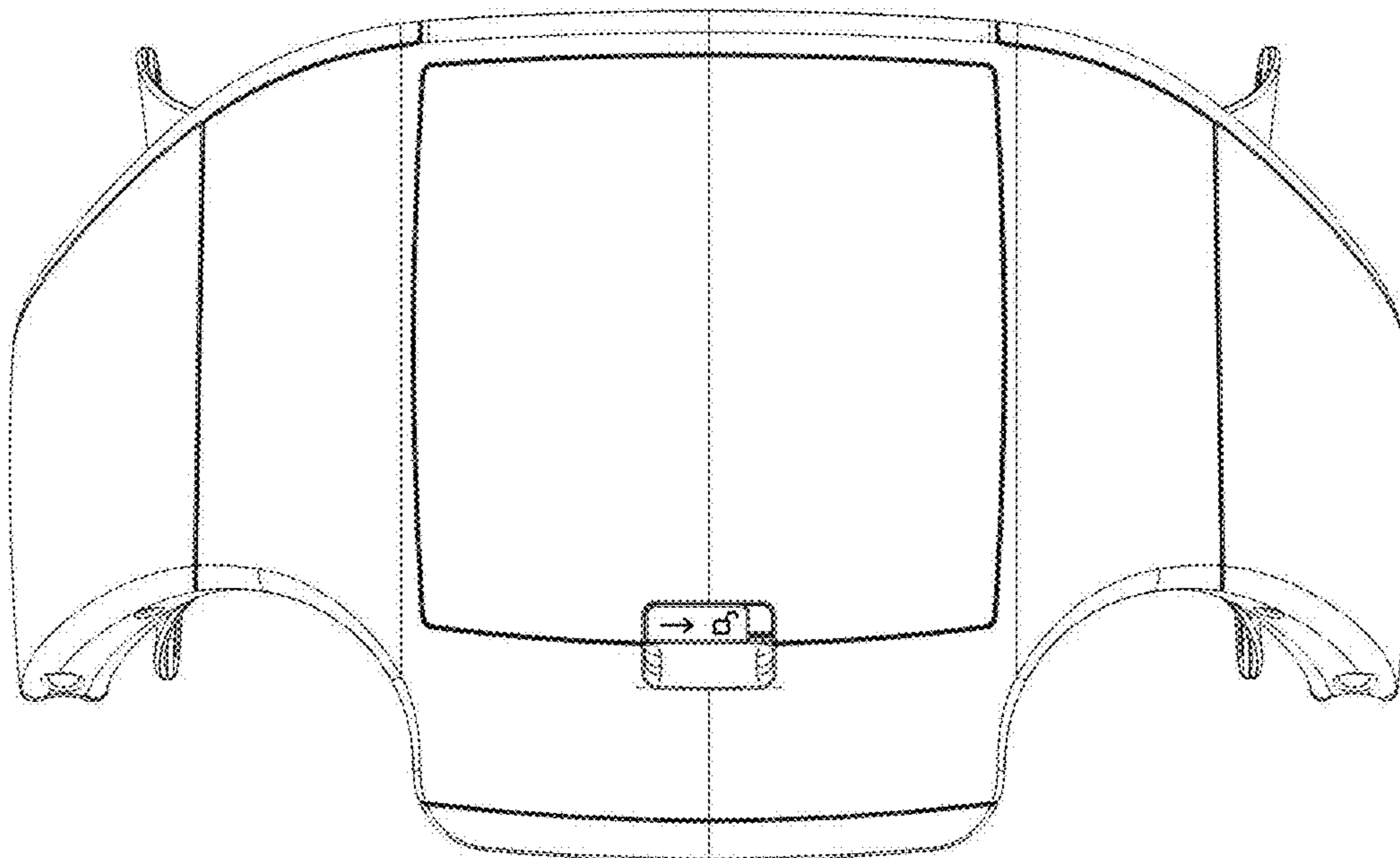


FIG. 3

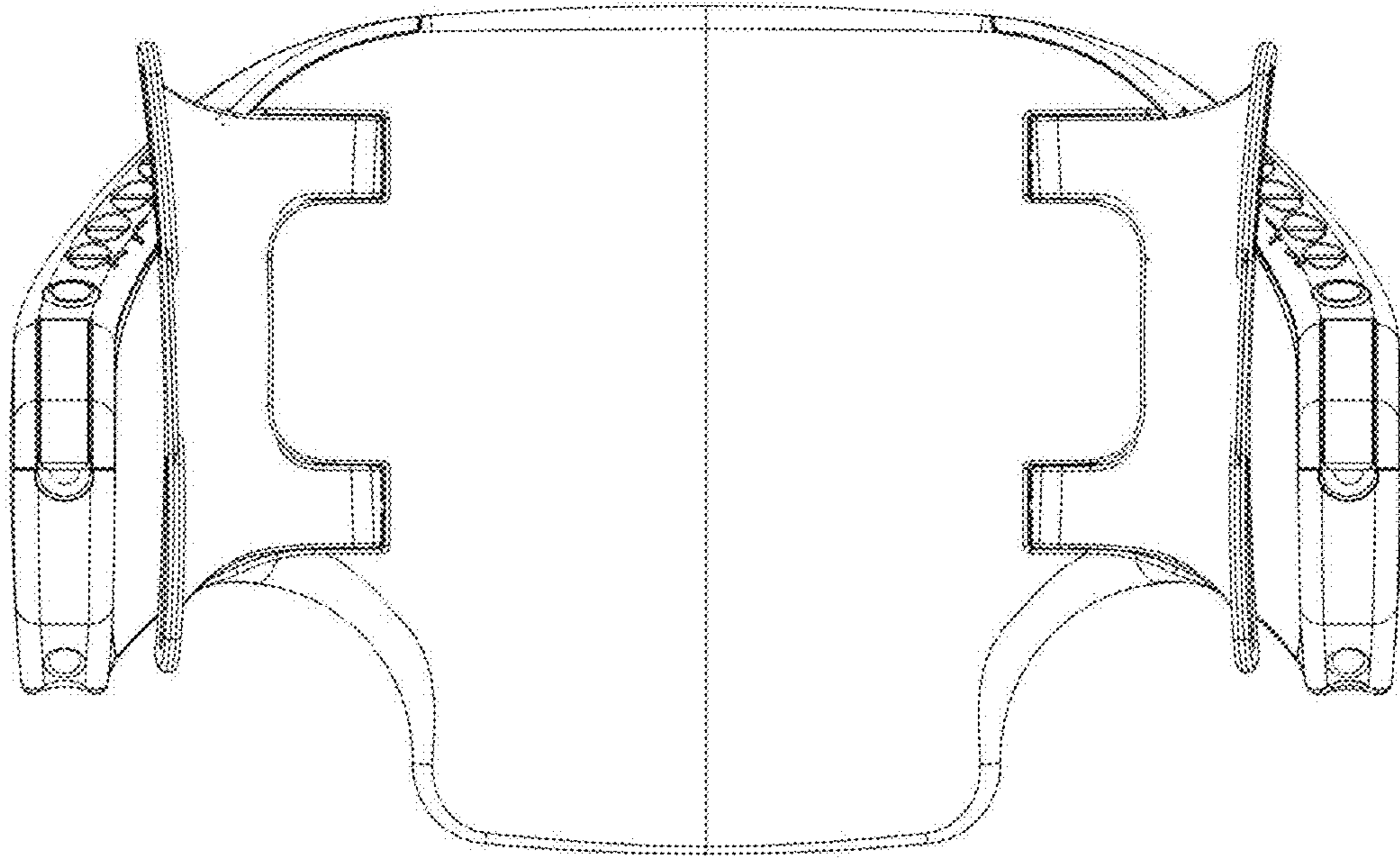


FIG. 4

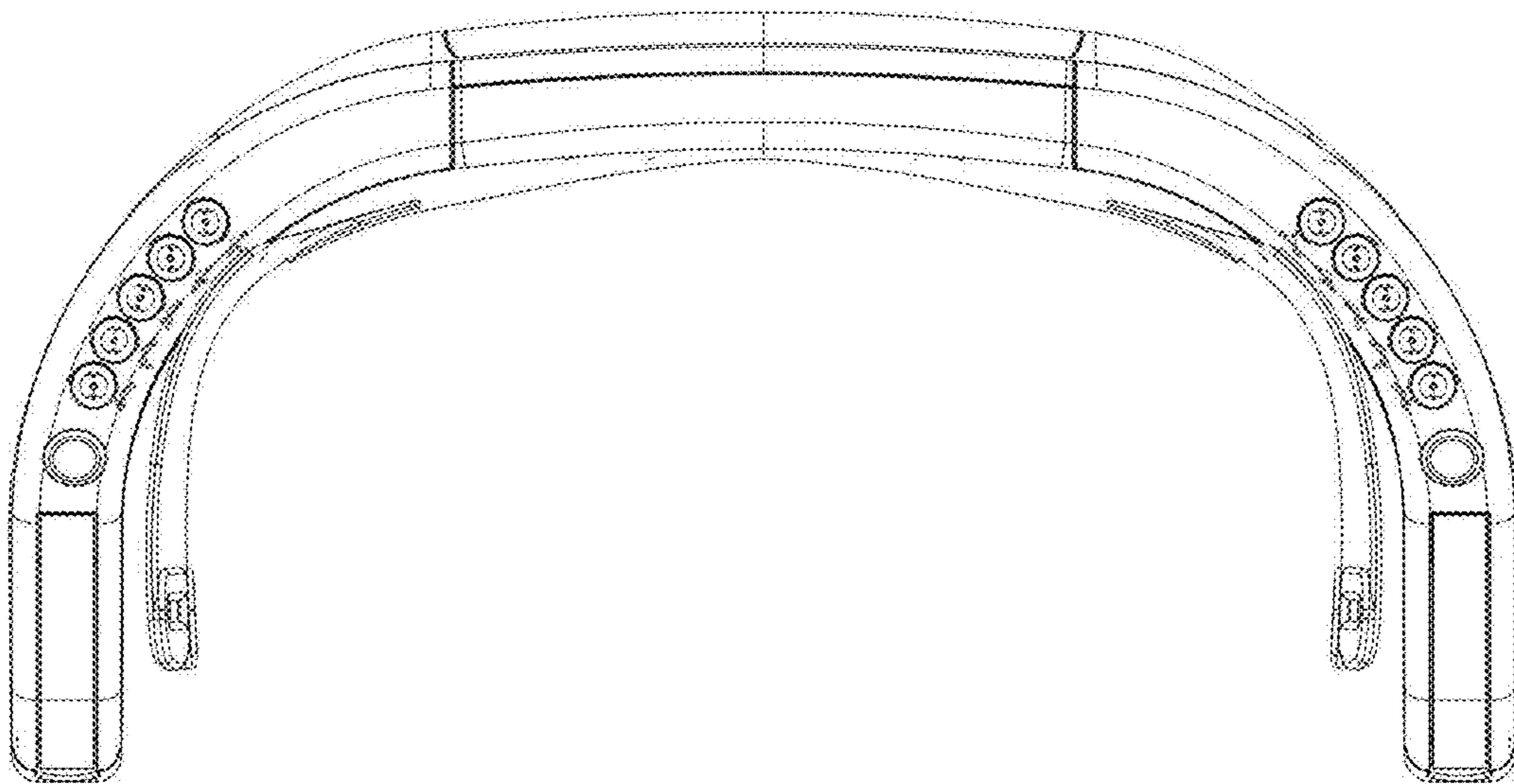


FIG. 5

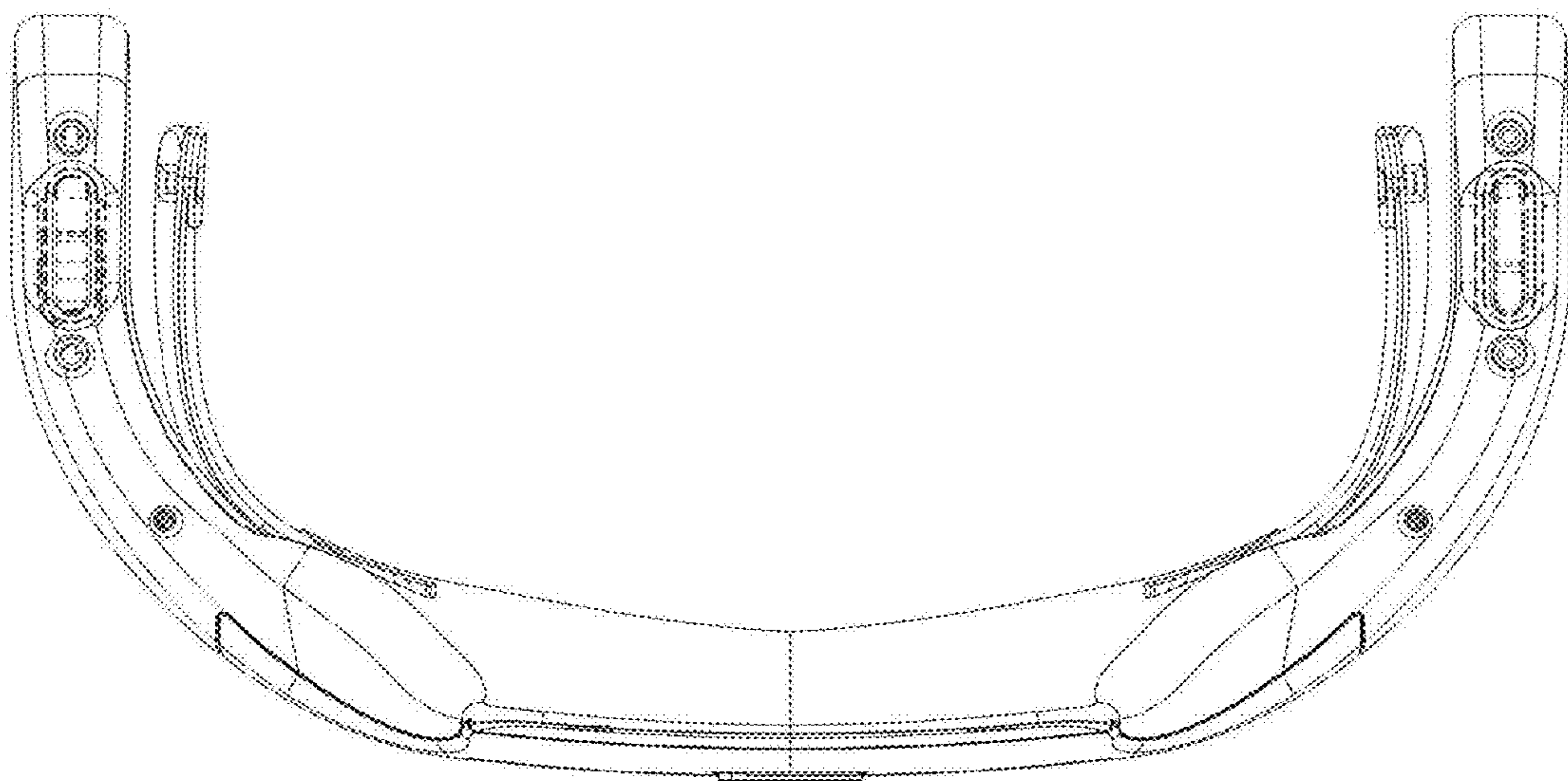


FIG. 6

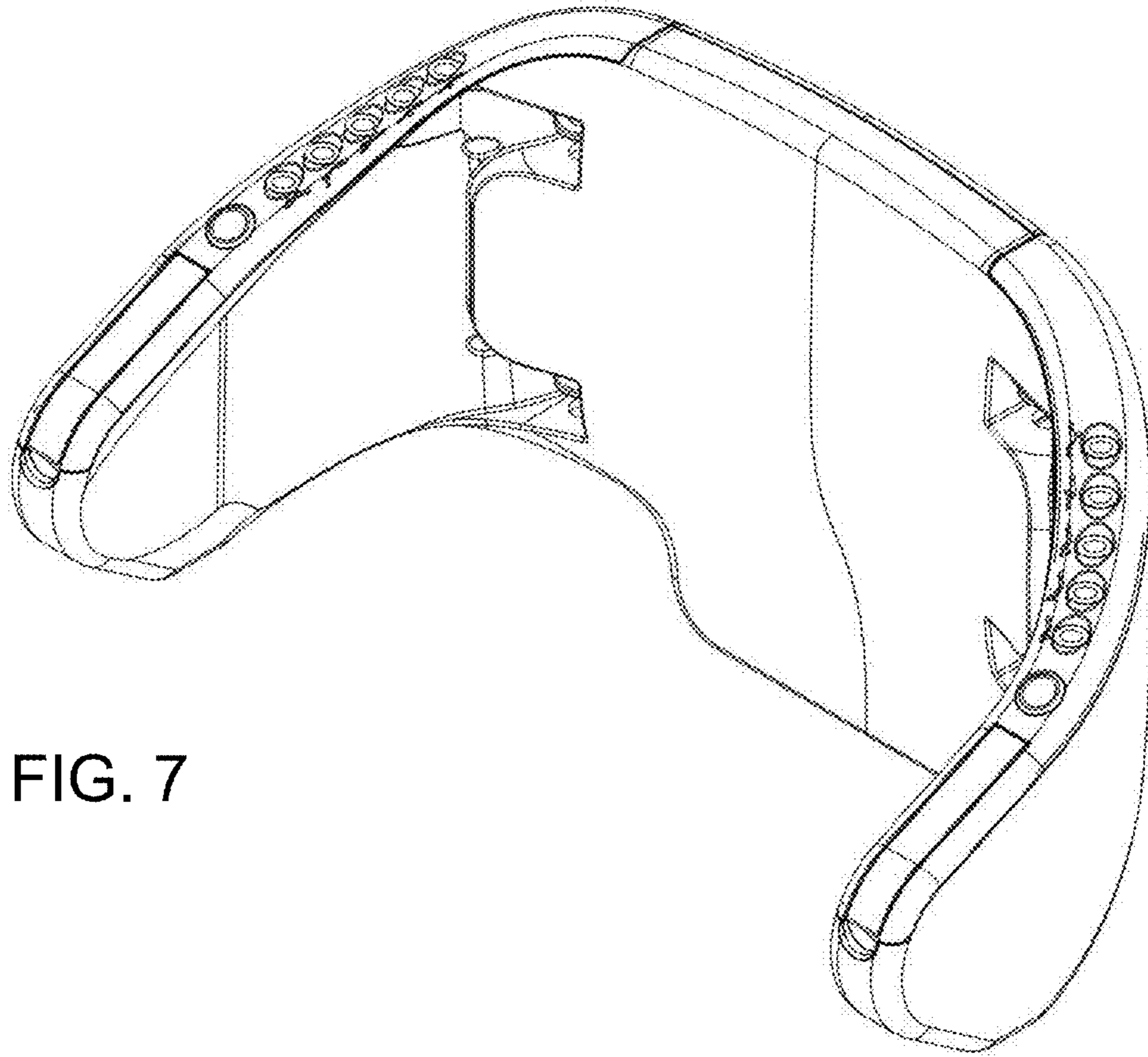


FIG. 7

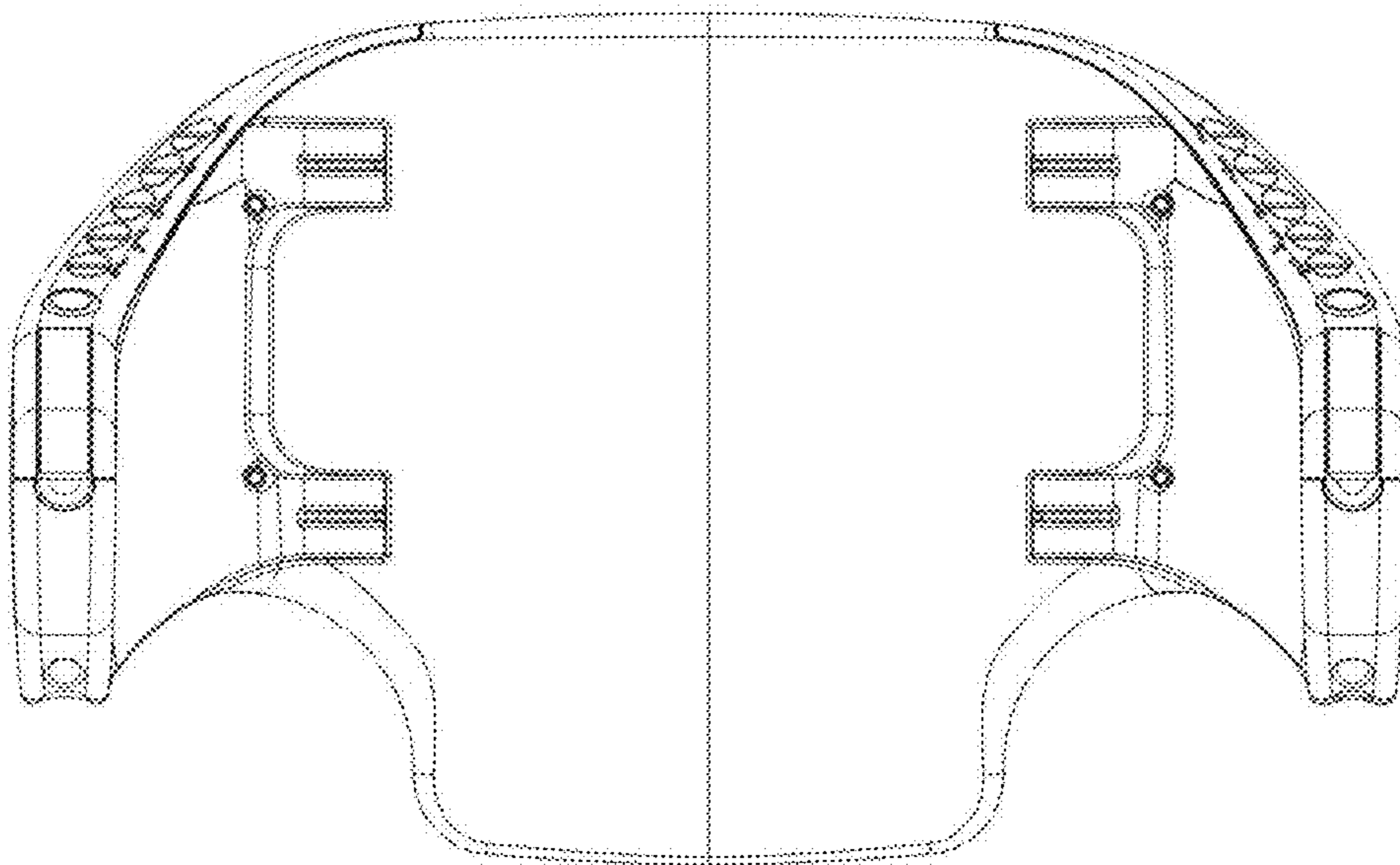


FIG. 8

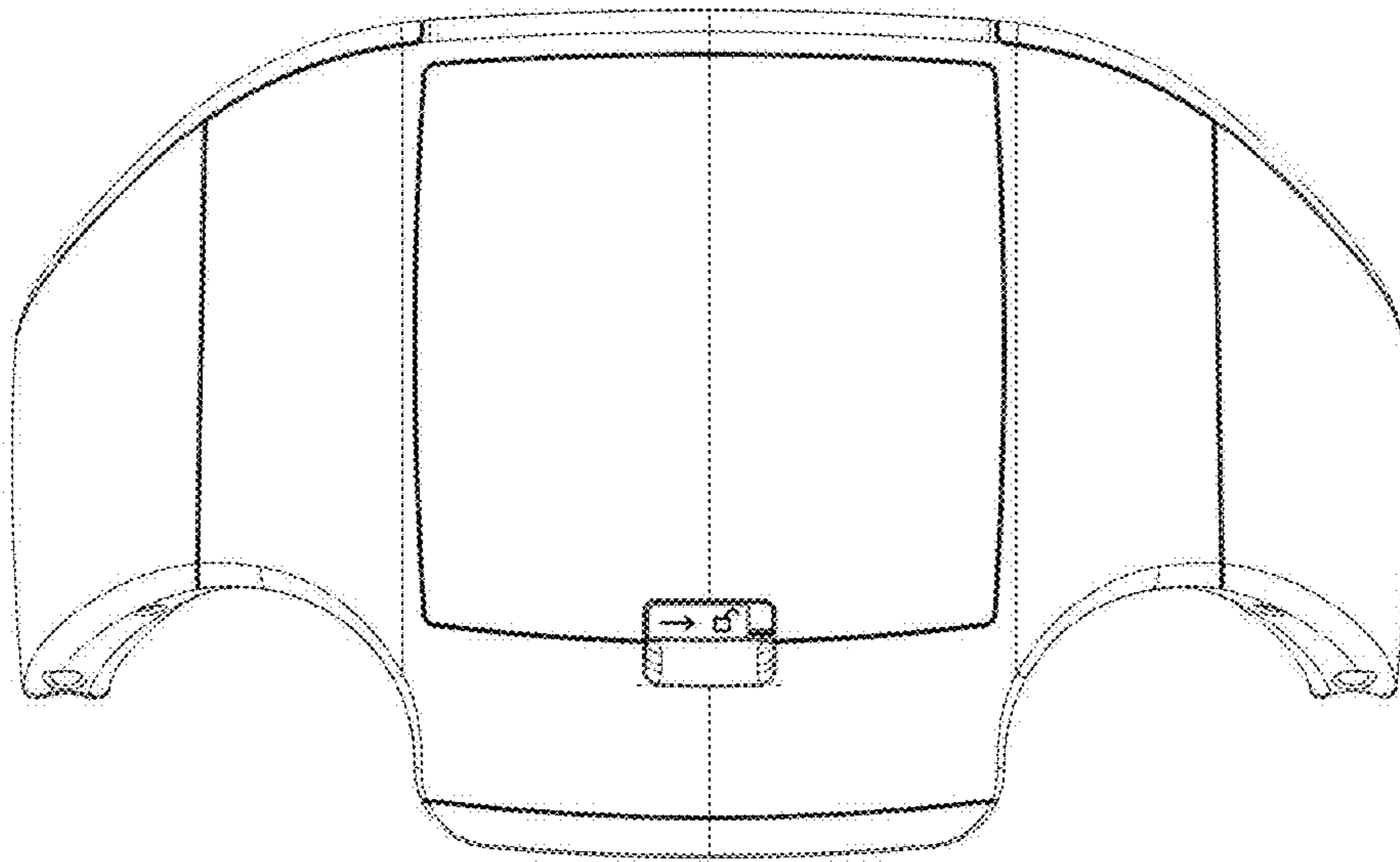


FIG. 9

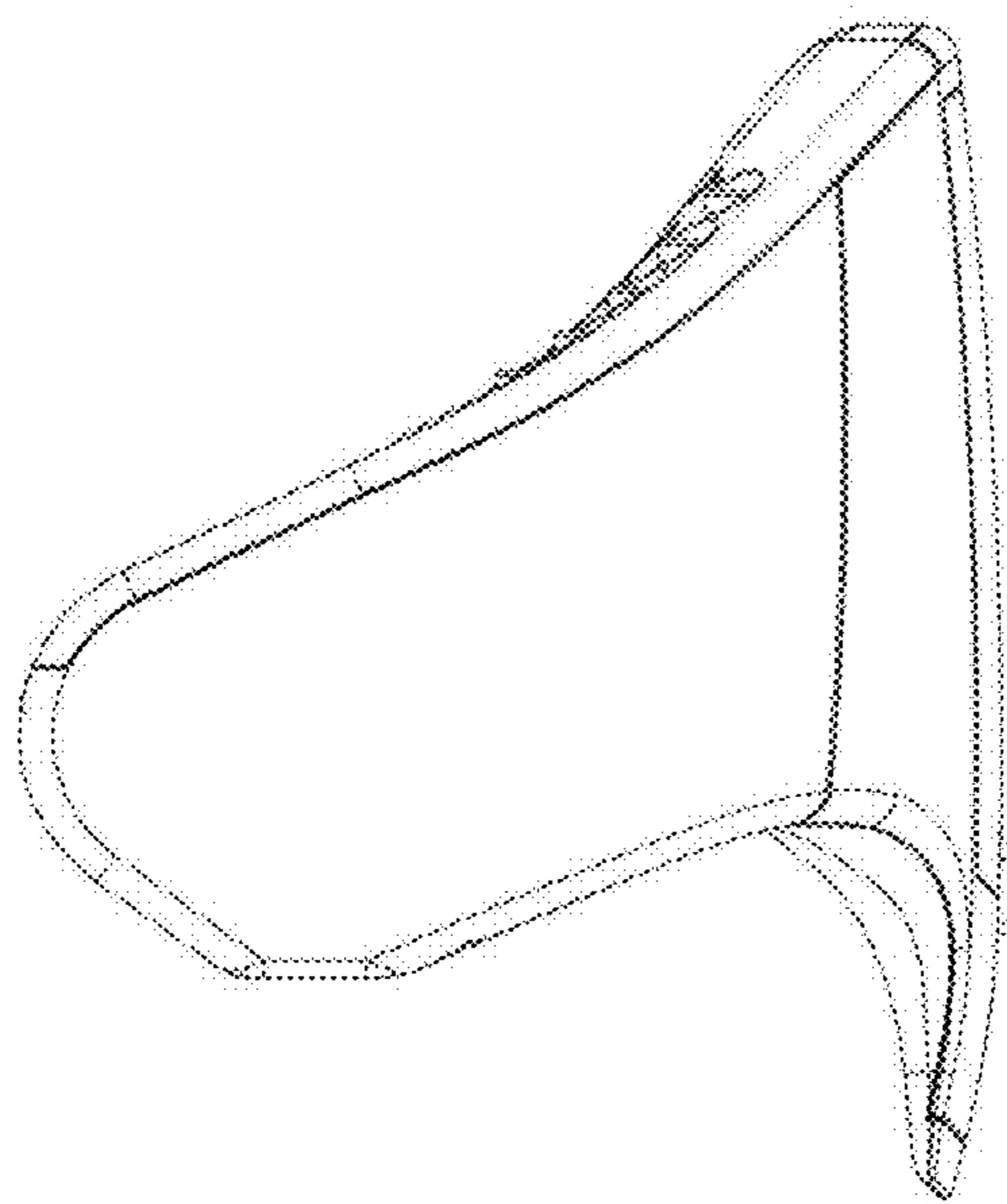


FIG. 10

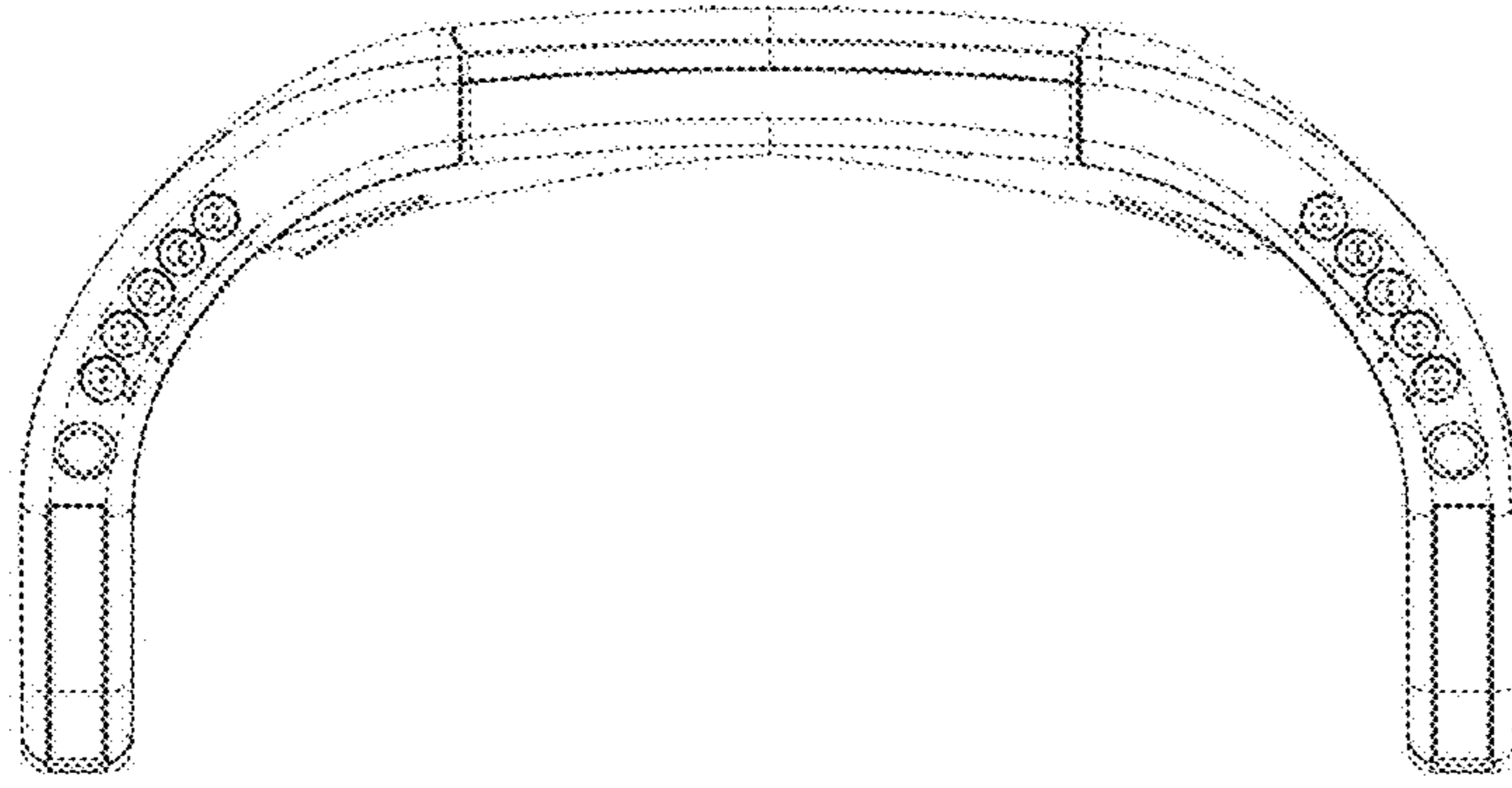


FIG. 11

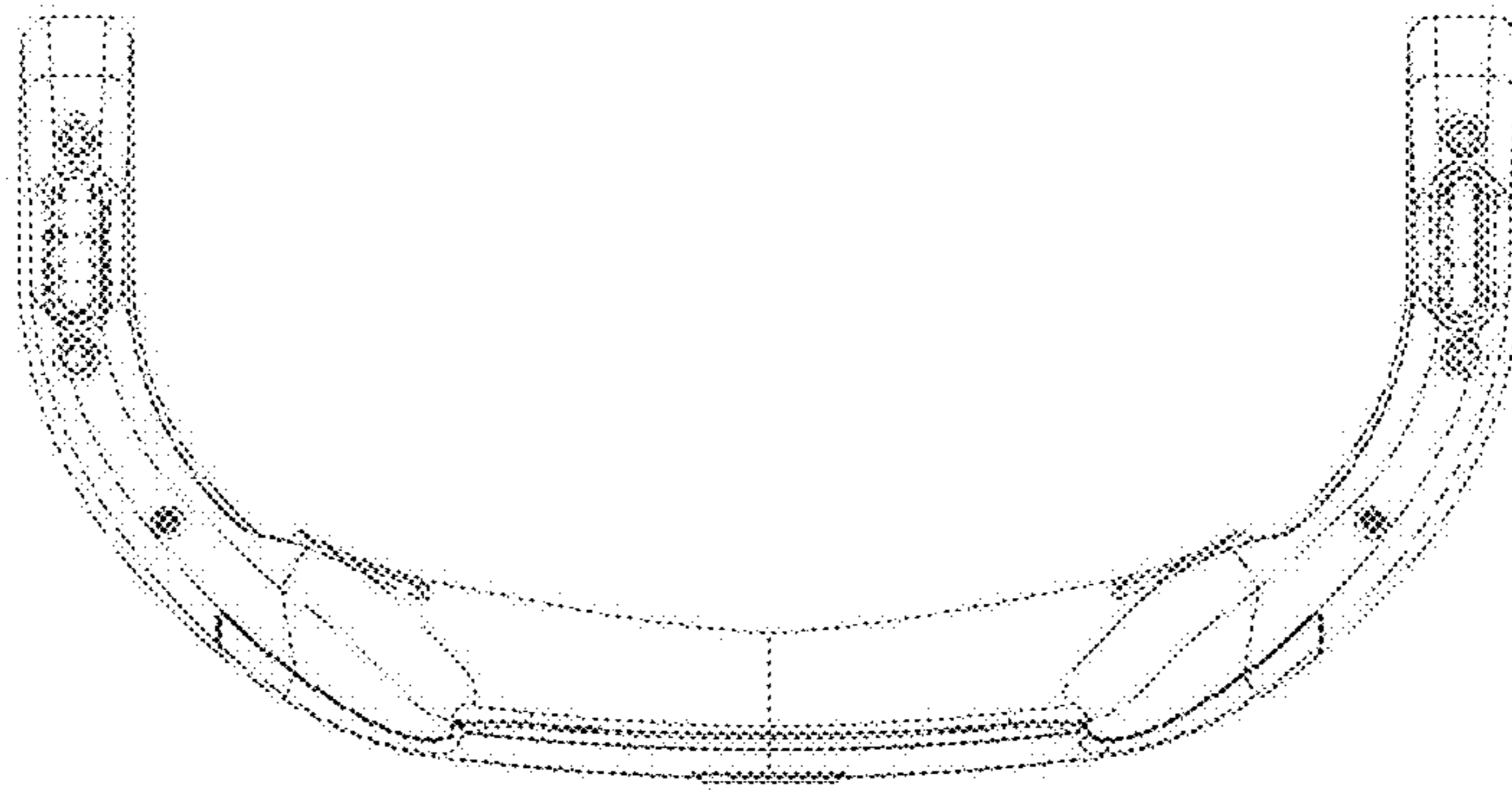


FIG. 12