



US00D808022S

(12) **United States Design Patent** (10) **Patent No.:** **US D808,022 S**
Ingemarsson-Matzen (45) **Date of Patent:** **** Jan. 16, 2018**

(54) **ORAL DEVICE FOR PREVENTING SNORING AND SLEEP APNEA**

(71) Applicant: **Natashia Ingemarsson-Matzen**, Charlottenlund (DK)

(72) Inventor: **Natashia Ingemarsson-Matzen**, Charlottenlund (DK)

(73) Assignee: **Petruska, LLC**, Orlando, FL (US)

(**) Term: **15 Years**

(21) Appl. No.: **29/536,338**

(22) Filed: **Aug. 15, 2015**

Related U.S. Application Data

(63) Continuation of application No. 29/430,427, filed on Aug. 24, 2012, now abandoned.

(30) **Foreign Application Priority Data**

Feb. 29, 2012 (DK) 2012 00040
Mar. 11, 2012 (WO) DM/078 356

(51) **LOC (11) Cl.** **24-04**

(52) **U.S. Cl.**
USPC **D24/188**

(58) **Field of Classification Search**
USPC D24/180-182, 152, 176-177; D29/108;
128/848, 859, 861-862; 433/6-7, 19, 44;
602/902
See application file for complete search history.

(56) **References Cited**

U.S. PATENT DOCUMENTS

587,358 A * 8/1897 Anderson A61F 5/566
128/848
746,869 A * 12/1903 Moulton A61F 5/566
128/848

2,424,533 A * 7/1947 Faires A61F 5/566
128/848
2,827,899 A * 3/1958 Altieri A63B 71/085
128/862
2,833,278 A * 5/1958 Ross A63B 71/085
128/862
3,236,235 A * 2/1966 Jacobs A63B 71/085
128/862

(Continued)

FOREIGN PATENT DOCUMENTS

AU 1999 476 15 B2 1/2000
CA 223 650 3 A1 11/1998

(Continued)

OTHER PUBLICATIONS

U.S. Appl. No. 14/011,117, Natashia Ingemarsson-Matzen.
U.S. Appl. No. 14/308,636, Natashia Ingemarsson-Matzen.
U.S. Appl. No. 35/500,286, Natashia Ingemarsson-Matzen.

Primary Examiner — Michael A. Pratt

Assistant Examiner — Michelle E Wilson

(74) *Attorney, Agent, or Firm* — Frijouf, Rust & Pyle P.A.

(57) **CLAIM**

The ornamental design for an oral device for preventing snoring and sleep apnea, as shown and described.

DESCRIPTION

FIG. 1 is a front perspective view of an oral device for preventing snoring and sleep apnea, showing my new design;

FIG. 2 is a top view thereof;

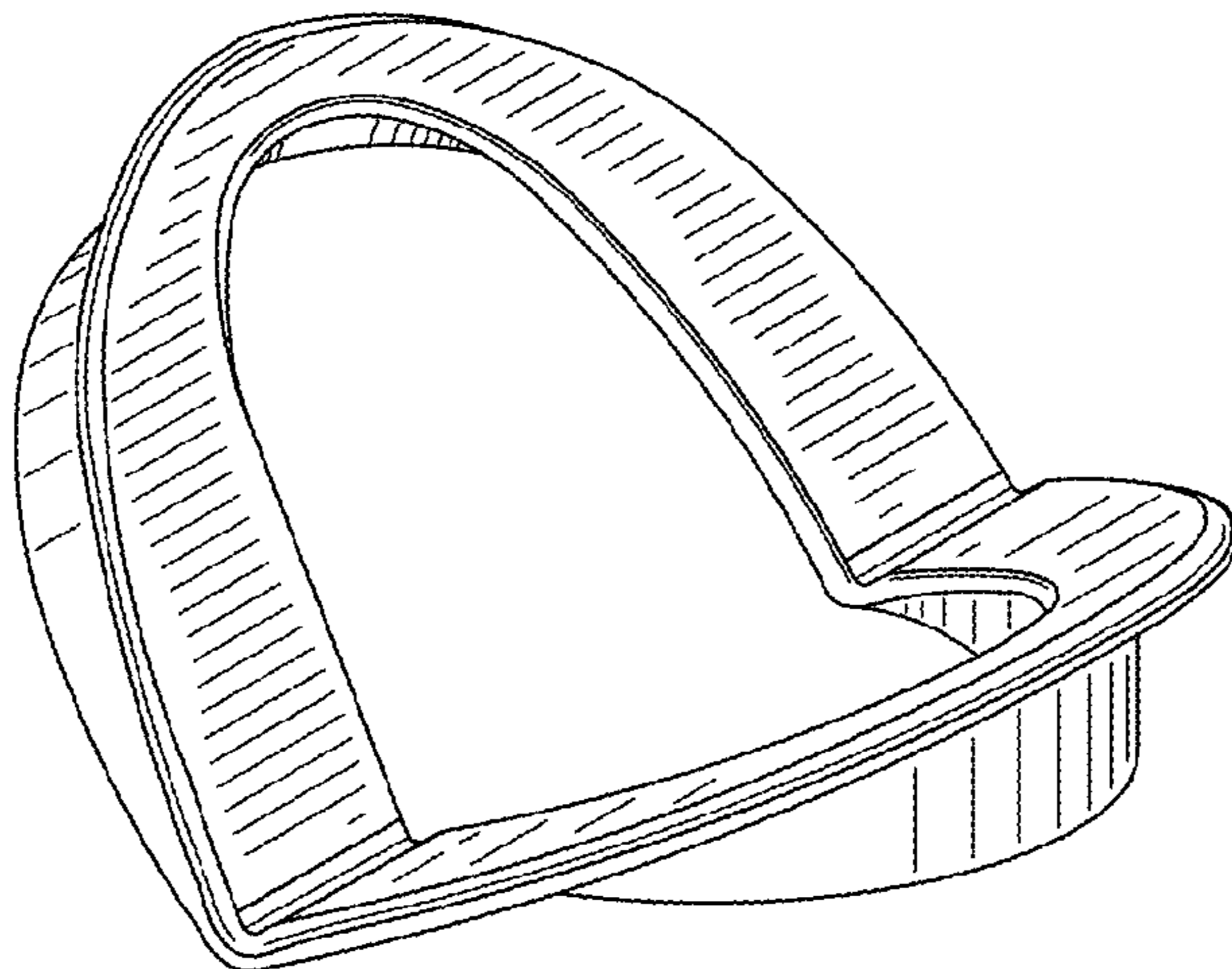
FIG. 3 is a side view thereof;

FIG. 4 is a front view thereof;

FIG. 5 is a rear view thereof; and,

FIG. 6 is a bottom view thereof.

1 Claim, 3 Drawing Sheets



(56)

References Cited

U.S. PATENT DOCUMENTS

3,312,218 A * 4/1967 Jacobs A63B 71/085
128/862
3,434,470 A * 3/1969 Strickland A61F 5/566
128/848
3,478,742 A * 11/1969 Bohlmann A61C 7/08
128/860
3,536,069 A * 10/1970 Gores A61C 19/063
128/861
4,169,473 A * 10/1979 Samelson A61F 5/566
128/848
5,313,960 A 5/1994 Tomasi
5,566,683 A * 10/1996 Thornton A61F 5/566
128/848
6,729,335 B1 5/2004 Halstrom
7,810,502 B1 10/2010 Nguyen et al.
2005/0236003 A1 10/2005 Meader
2008/0099029 A1 5/2008 Lamberg
2008/0115791 A1 5/2008 Heine
2009/0014013 A1 1/2009 Magnin
2010/0043805 A1 2/2010 Kelly
2010/0300458 A1 12/2010 Stubbs et al.

2011/0017220 A1 1/2011 Lindsay et al.
2011/0226261 A1 9/2011 Hernandez
2013/0014765 A1 1/2013 Meade
2013/0098372 A1 4/2013 Webster et al.

FOREIGN PATENT DOCUMENTS

DE 201 02 432 U1 4/2001
EP O 312 368 4/1989
EP 0 337 201 B1 8/1992
EP 0 794 749 B1 6/2003
EP 1 719 481 A1 4/2009
EP 2 529 710 A1 12/2012
EP 2 491 901 A1 7/2014
GB 2 264 868 9/1993
WO WO 92/05752 4/1992
WO WO 92/11827 7/1992
WO WO 01 302 60 A1 5/2001
WO WO 2008 / 130 413 A1 10/2008
WO WO 2009 / 062 541 A1 5/2009
WO WO 2011 / 115 962 A1 9/2011
WO WO 2013 / 032 884 A1 3/2013
WO WO 2013 049 751 A2 4/2013
WO WO/2014/194910 12/2014

* cited by examiner

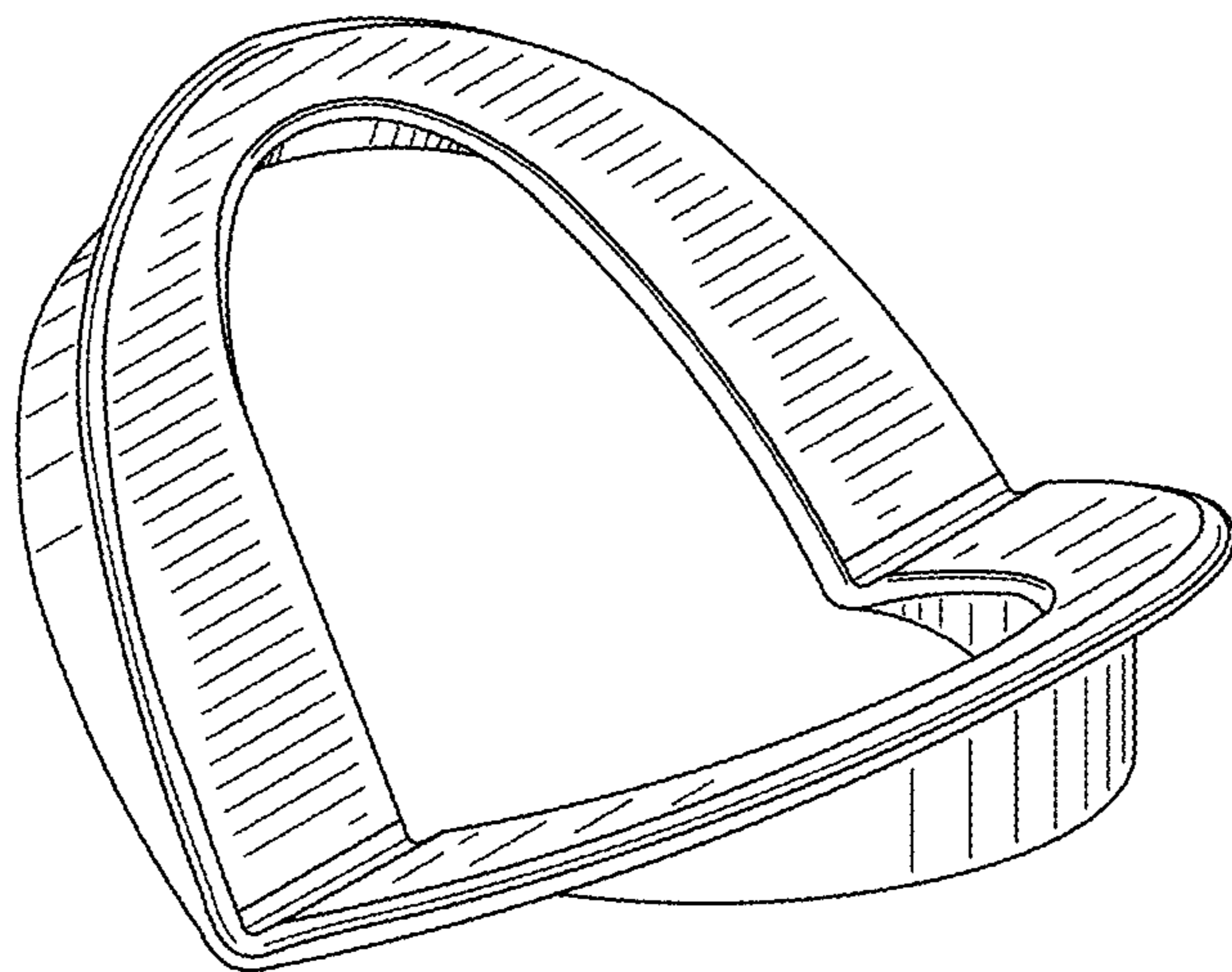


FIG. 1

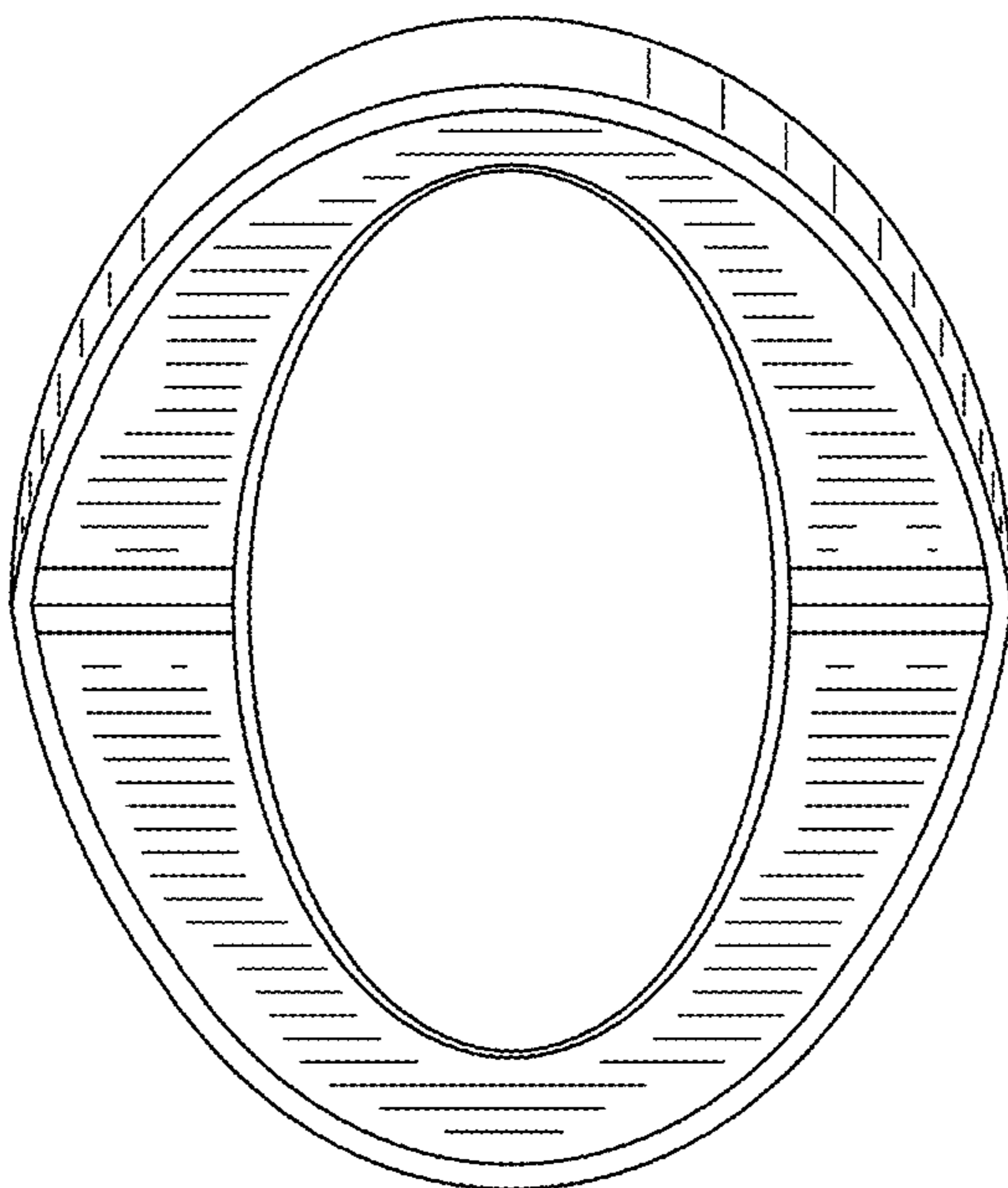


FIG. 2

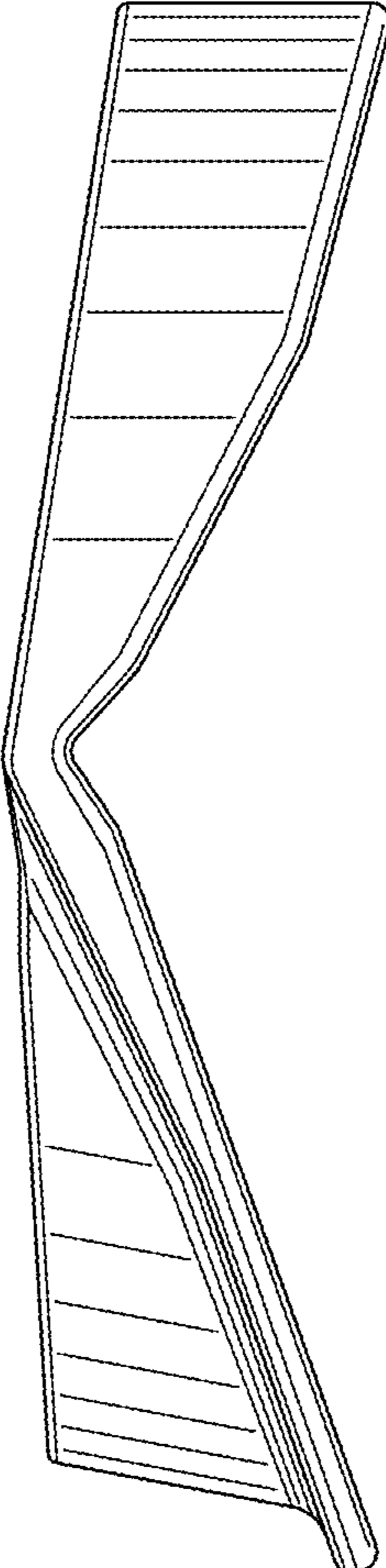


FIG. 3

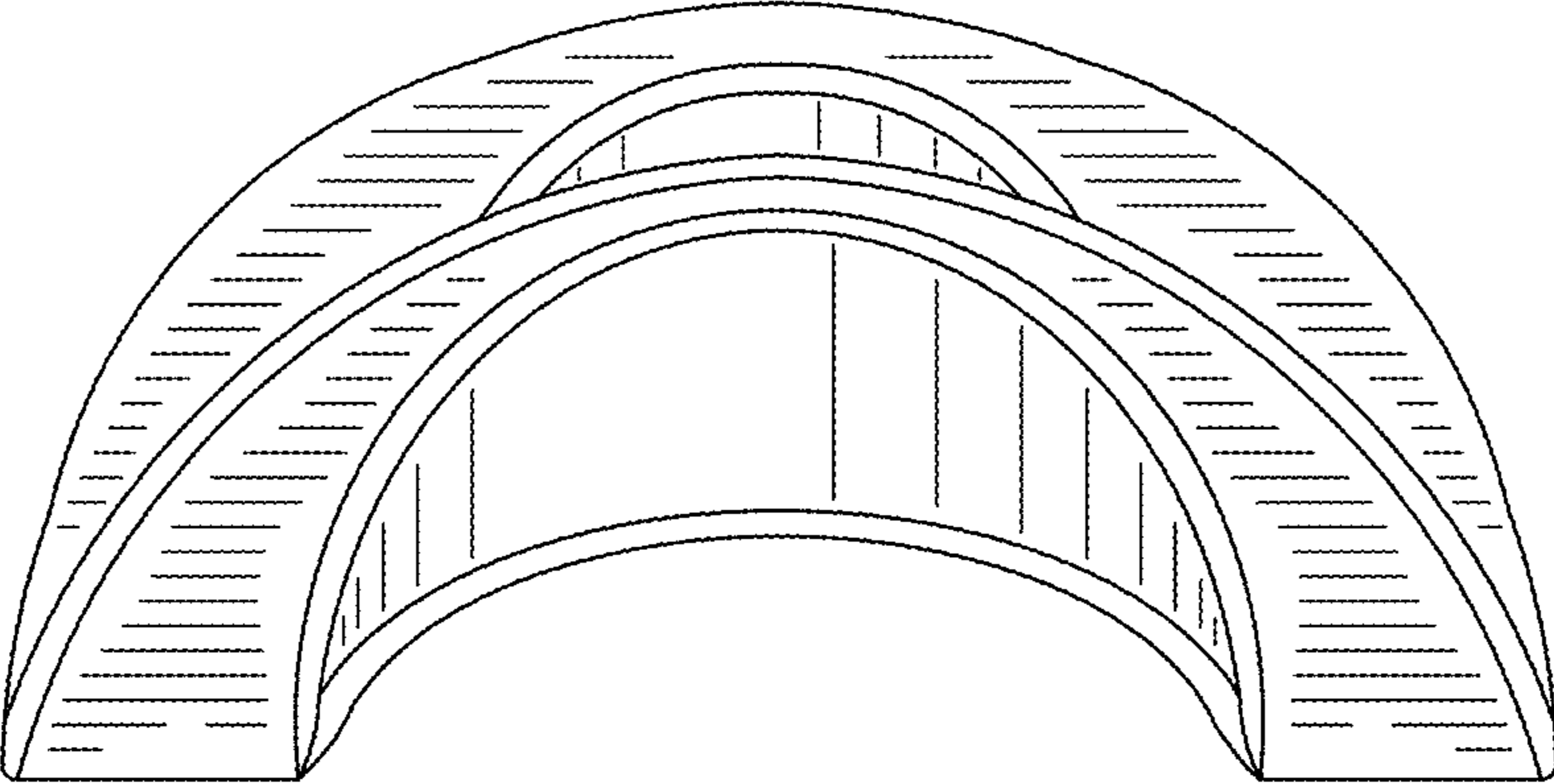


FIG. 4

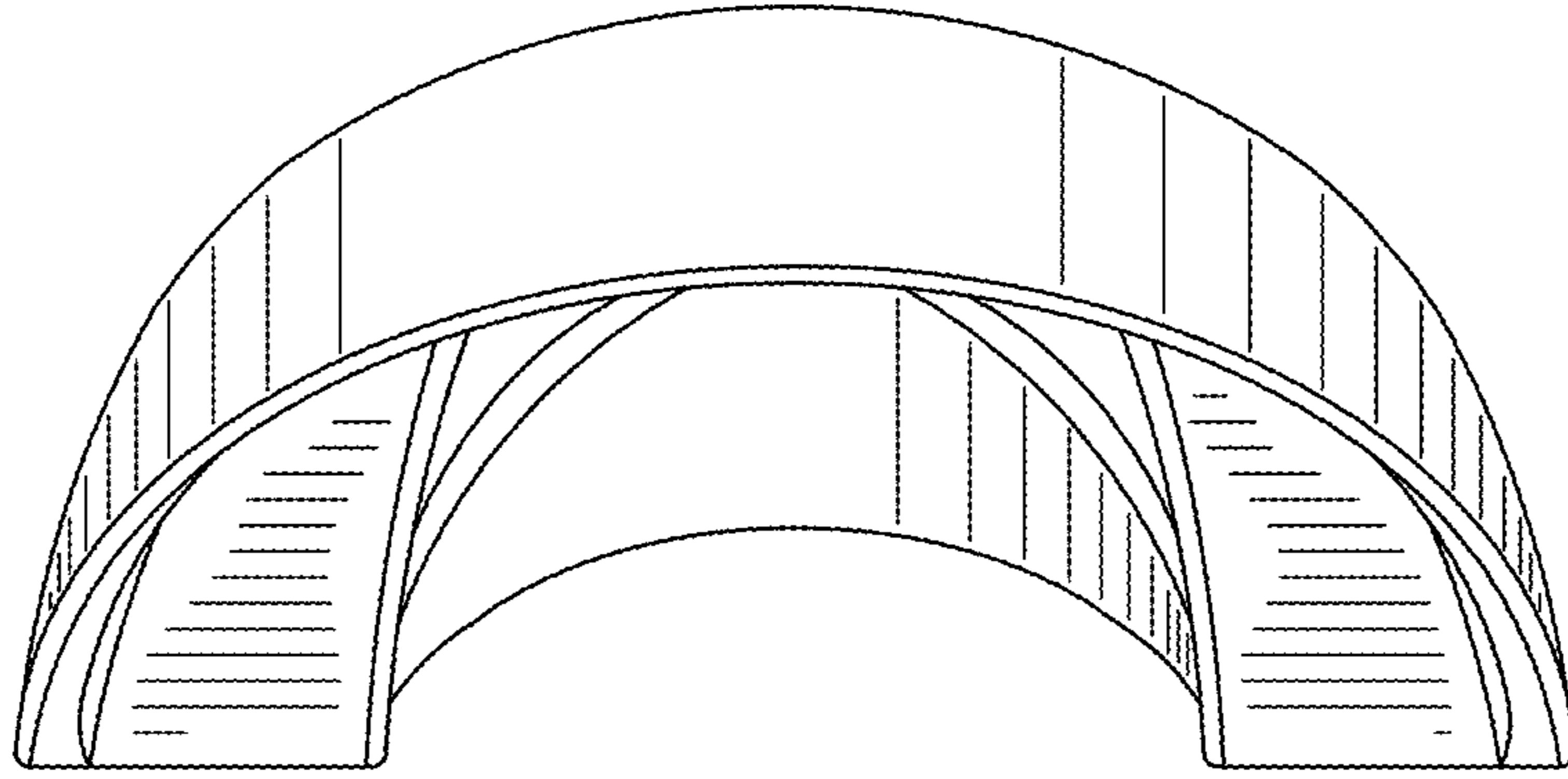


FIG. 5

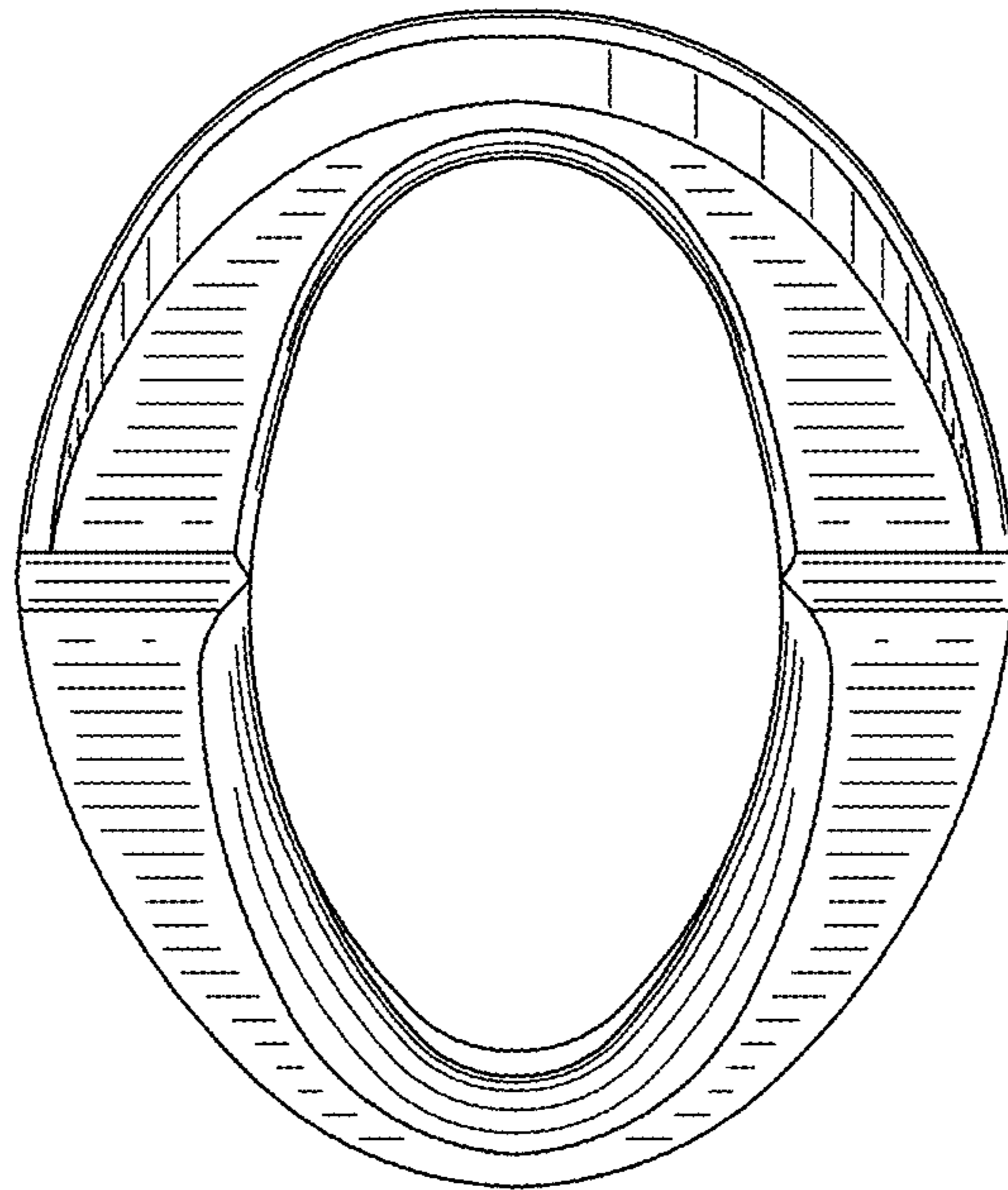


FIG. 6