



US00D808021S

(12) **United States Design Patent** (10) **Patent No.:** **US D808,021 S**  
**Coonahan et al.** (45) **Date of Patent:** **\*\* Jan. 16, 2018**

(54) **MOUNT FOR MEDICAL EQUIPMENT ACCESSORIES**

(56) **References Cited**

(71) Applicant: **Draeger Medical Systems, Inc.**,  
Andover, MA (US)

(72) Inventors: **Tim Coonahan**, Sterling, MA (US);  
**William T. Buresh**, Salem, NH (US);  
**Michael Hirst**, Hudson, MA (US);  
**Rajesh Rane**, Cambridge, MA (US);  
**Juan Eslava**, Boylston, MA (US);  
**Ricardo Luis Fernandez**, Beverly, MA  
(US); **Thomas Swyst**, Arlington, MA  
(US); **David Carpenter**, Jaffrey, NH  
(US)

U.S. PATENT DOCUMENTS

5,227,957	A *	7/1993	Deters .....	G06F 1/181 312/223.2
D435,558	S *	12/2000	Tong .....	D14/434
D458,608	S *	6/2002	Tong .....	D14/434
D520,014	S *	5/2006	Harris .....	D14/434
D524,815	S *	7/2006	McRae .....	D14/433
D647,881	S *	11/2011	Warner .....	D14/447
D709,445	S *	7/2014	Yeh .....	D13/107
D734,859	S *	7/2015	Weichert .....	D24/186
D736,192	S *	8/2015	Jeon .....	D14/240
D748,807	S *	2/2016	Wawro .....	D24/186
D769,872	S *	10/2016	Swyst .....	D14/371
2009/0124868	A1 *	5/2009	Barnett .....	A61N 1/3968 600/301

(73) Assignee: **Draeger Medical Systems, Inc.**,  
Andover, MA (US)

(Continued)

(\*\*) Term: **15 Years**

(21) Appl. No.: **29/569,288**

(22) Filed: **Jun. 24, 2016**

OTHER PUBLICATIONS

Engadget modular computer (2014).  
Design U.S. Appl. No. 29/550,193, filed Dec. 30, 2015.

*Primary Examiner* — Anhdao Doan  
(74) *Attorney, Agent, or Firm* — Jones Day

**Related U.S. Application Data**

(63) Continuation-in-part of application No. 29/550,193,  
filed on Dec. 30, 2015.

(51) **LOC (11) Cl.** ..... **24-01**

(52) **U.S. Cl.**  
USPC ..... **D24/186**

(58) **Field of Classification Search**  
USPC ..... D24/185, 186, 107; D14/433, 434, 447,  
D14/451, 371, 374, 375, 328, 336, 339,  
D14/340; D8/349, 380  
CPC . A61B 5/0205; A61B 5/02055; A61B 5/0002;  
A61B 5/0006; A61B 5/0008; A61B  
5/002; A61B 5/0022; A61B 2560/0443;  
A61B 2560/045; A61B 2560/0456

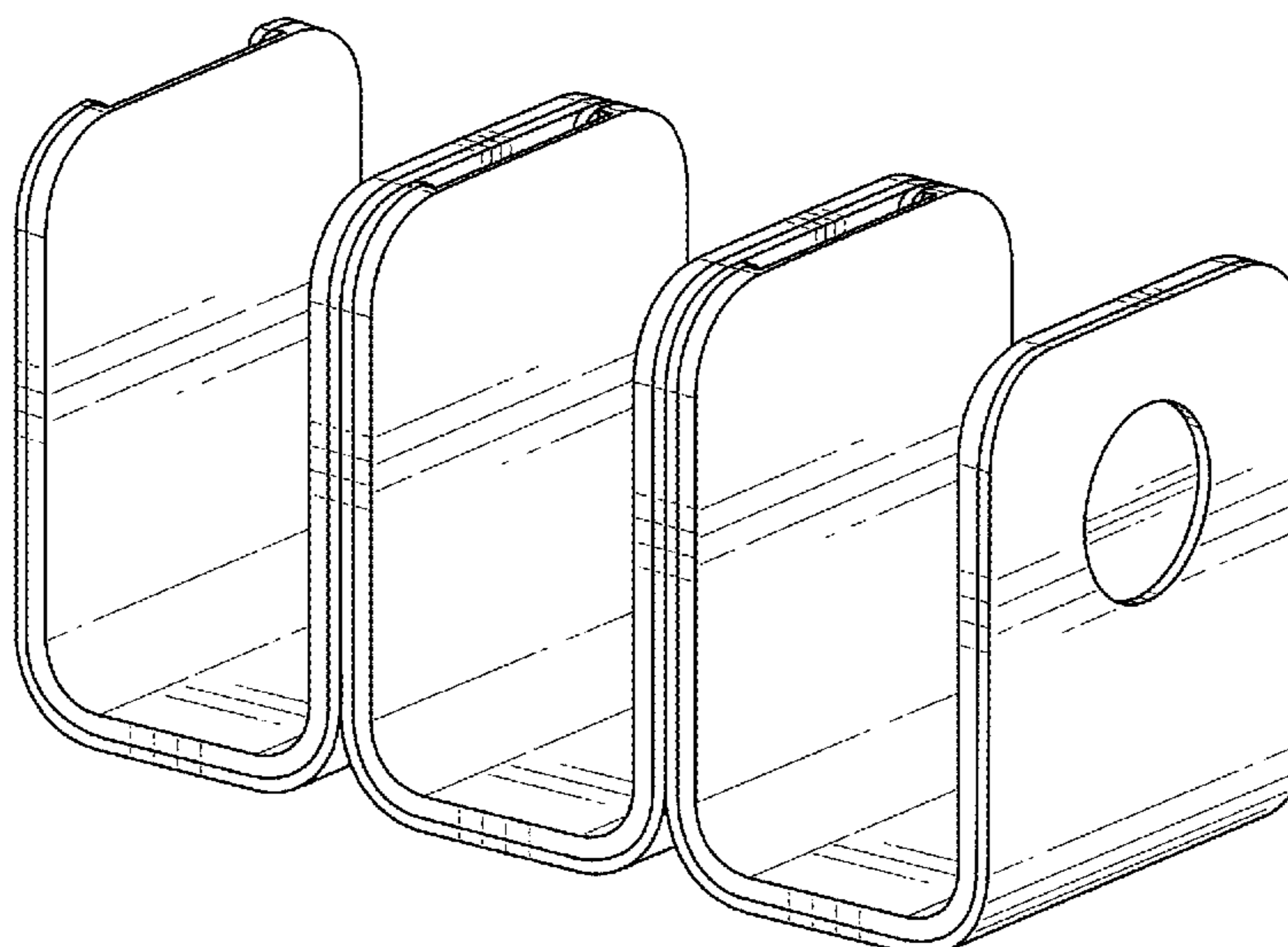
See application file for complete search history.

(57) **CLAIM**  
The ornamental design for mount for medical equipment accessories, as shown and described.

**DESCRIPTION**

FIG. 1 is a front perspective view of a mount for medical equipment accessories;  
FIG. 2 is a back perspective view thereof;  
FIG. 3 is a front view thereof;  
FIG. 4 is a back view thereof;  
FIG. 5 is a first side view thereof;  
FIG. 6 is a second side view thereof;  
FIG. 7 is a top view thereof; and,  
FIG. 8 is a bottom view thereof.

**1 Claim, 8 Drawing Sheets**



(56)

**References Cited**

U.S. PATENT DOCUMENTS

2012/0127103 A1\* 5/2012 Qualey ..... A61B 5/742  
345/173

\* cited by examiner

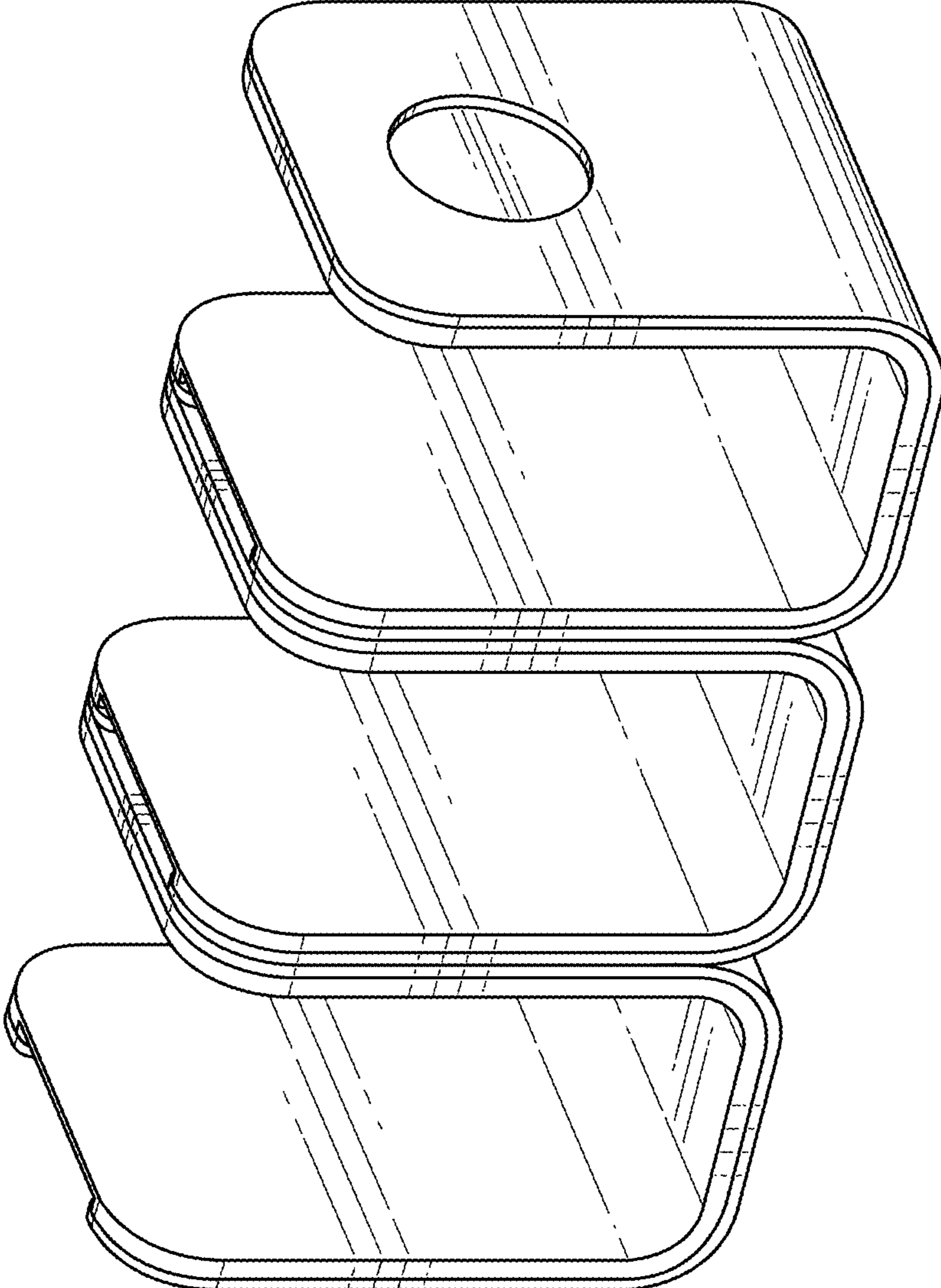


FIG. 1

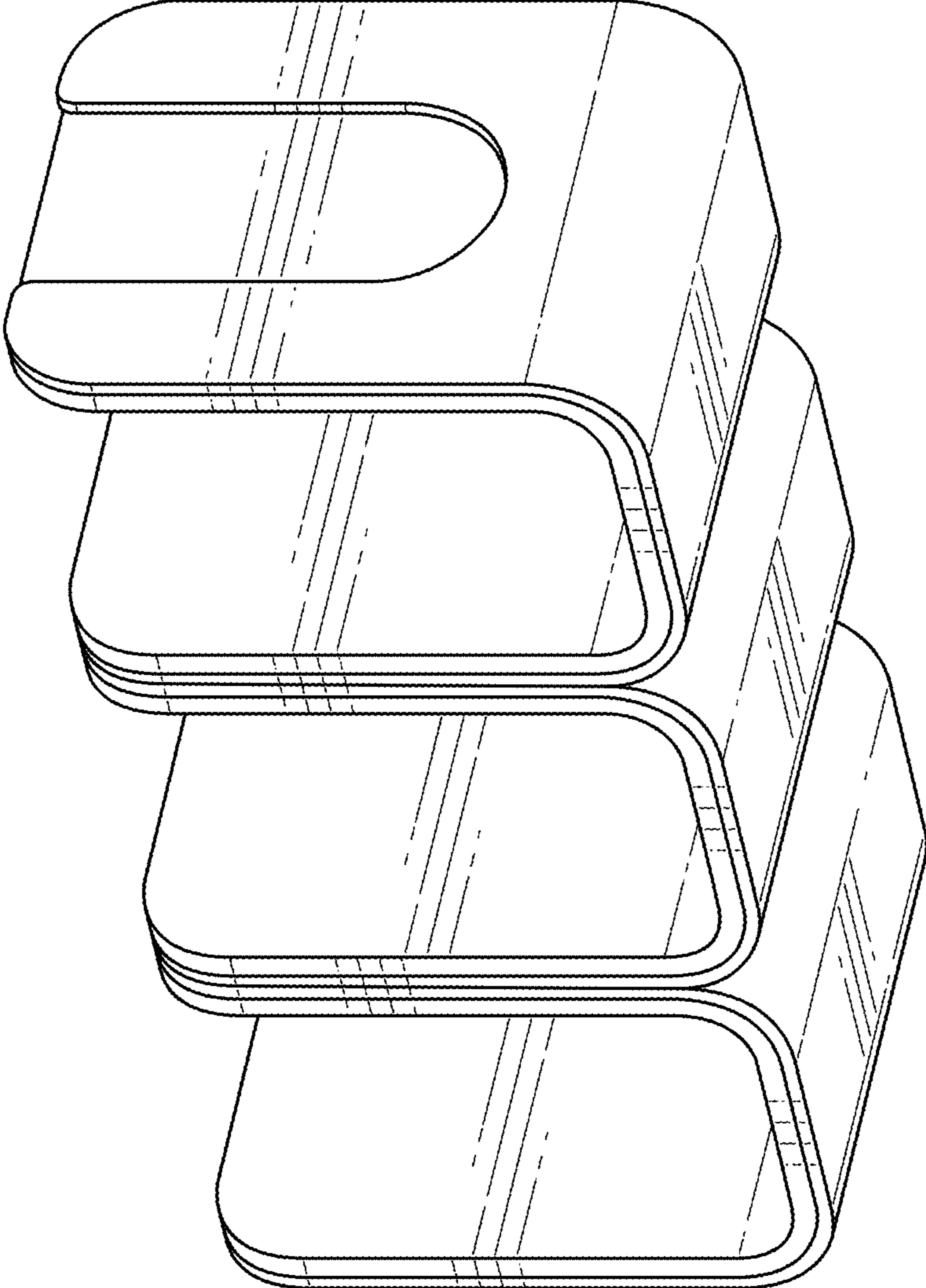


FIG. 2

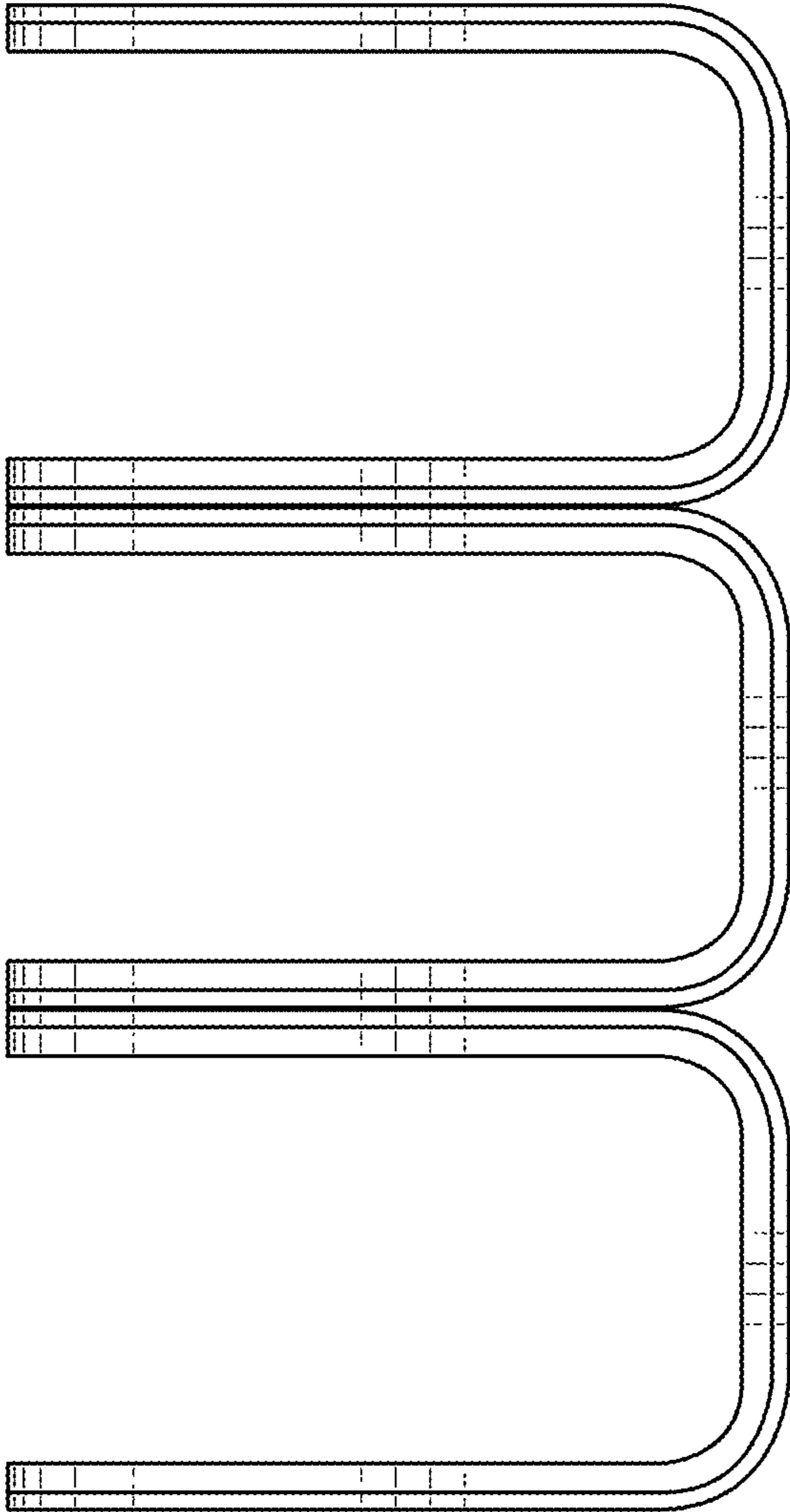


FIG. 3

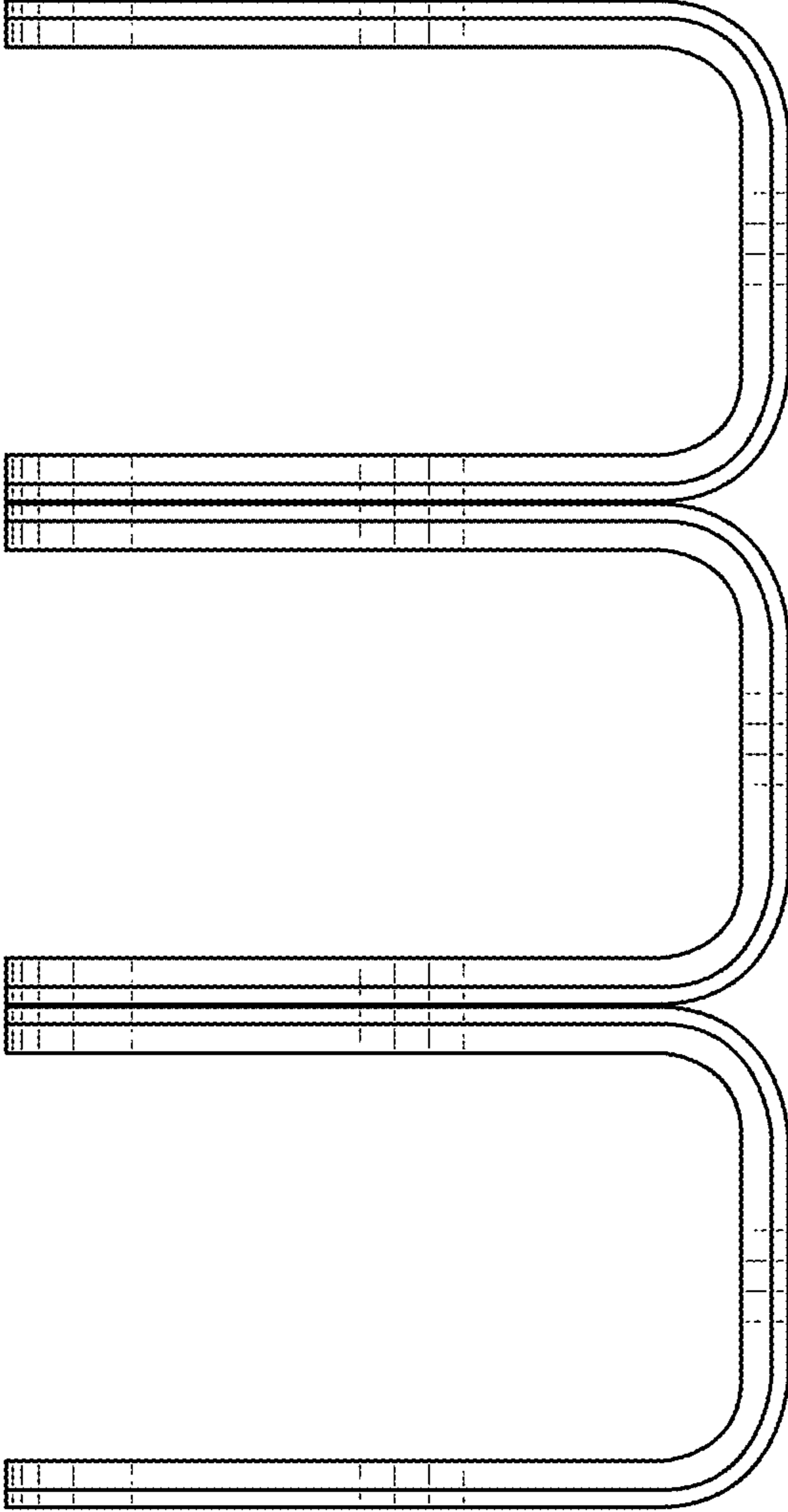


FIG. 4

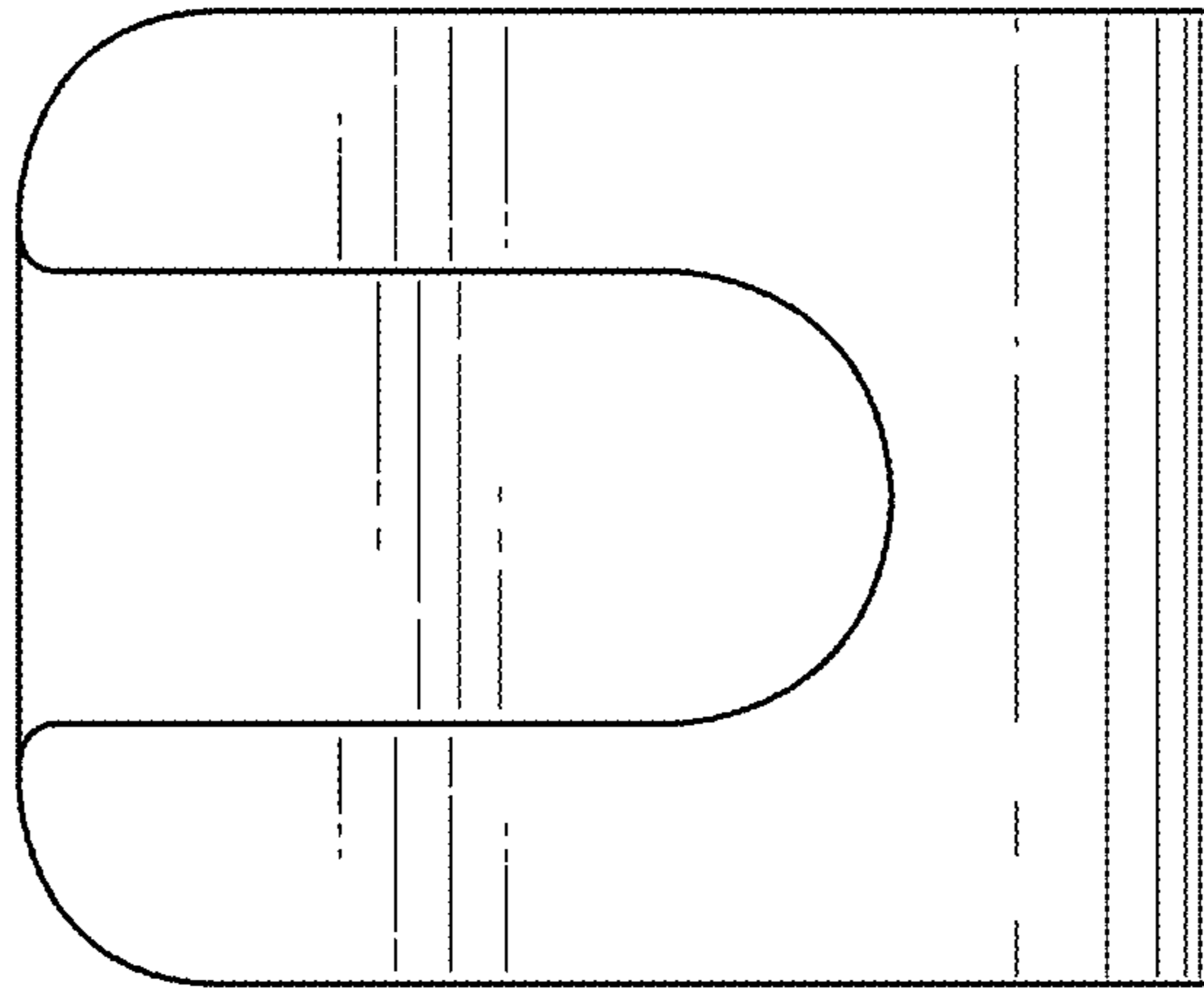


FIG. 5

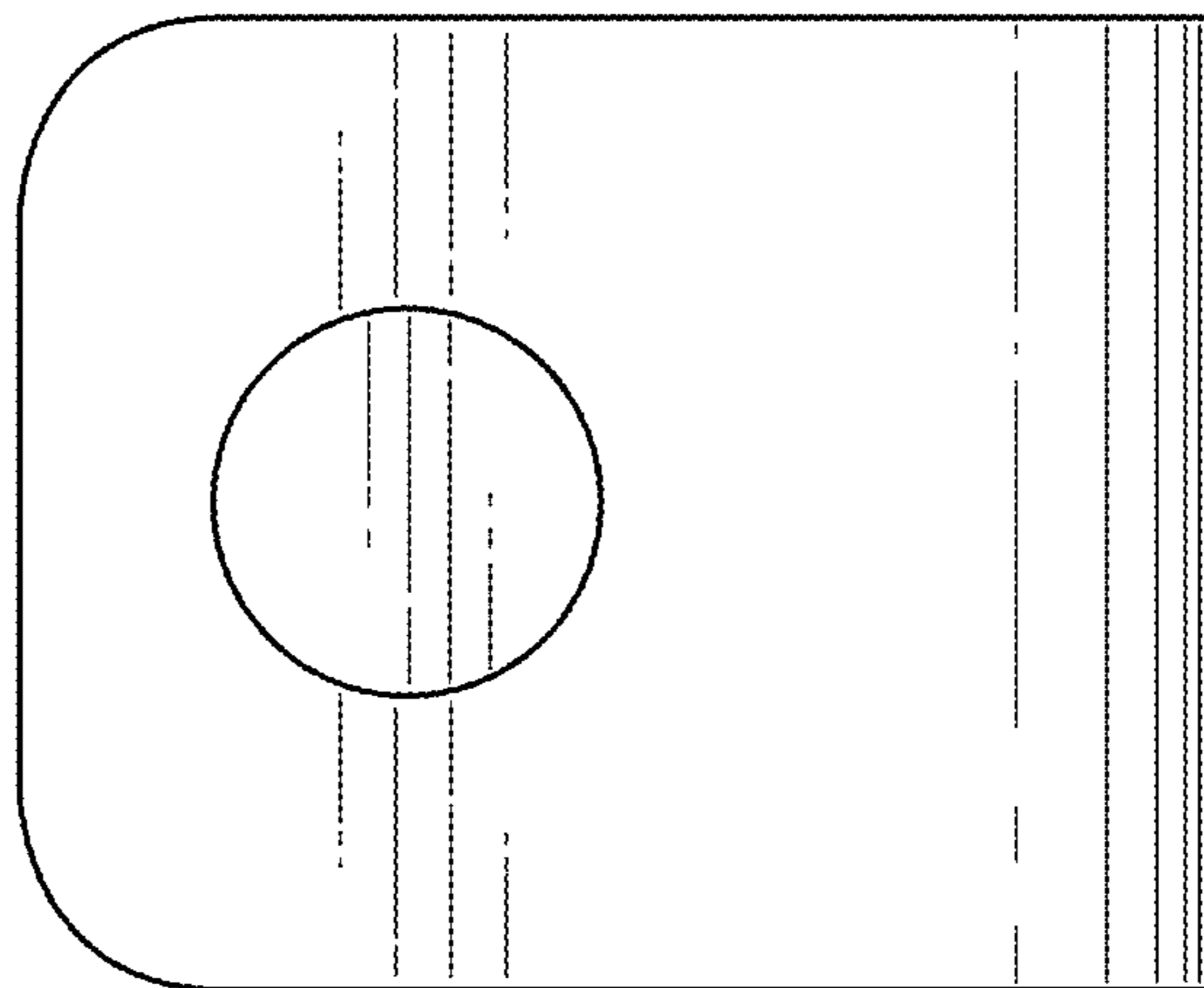


FIG. 6



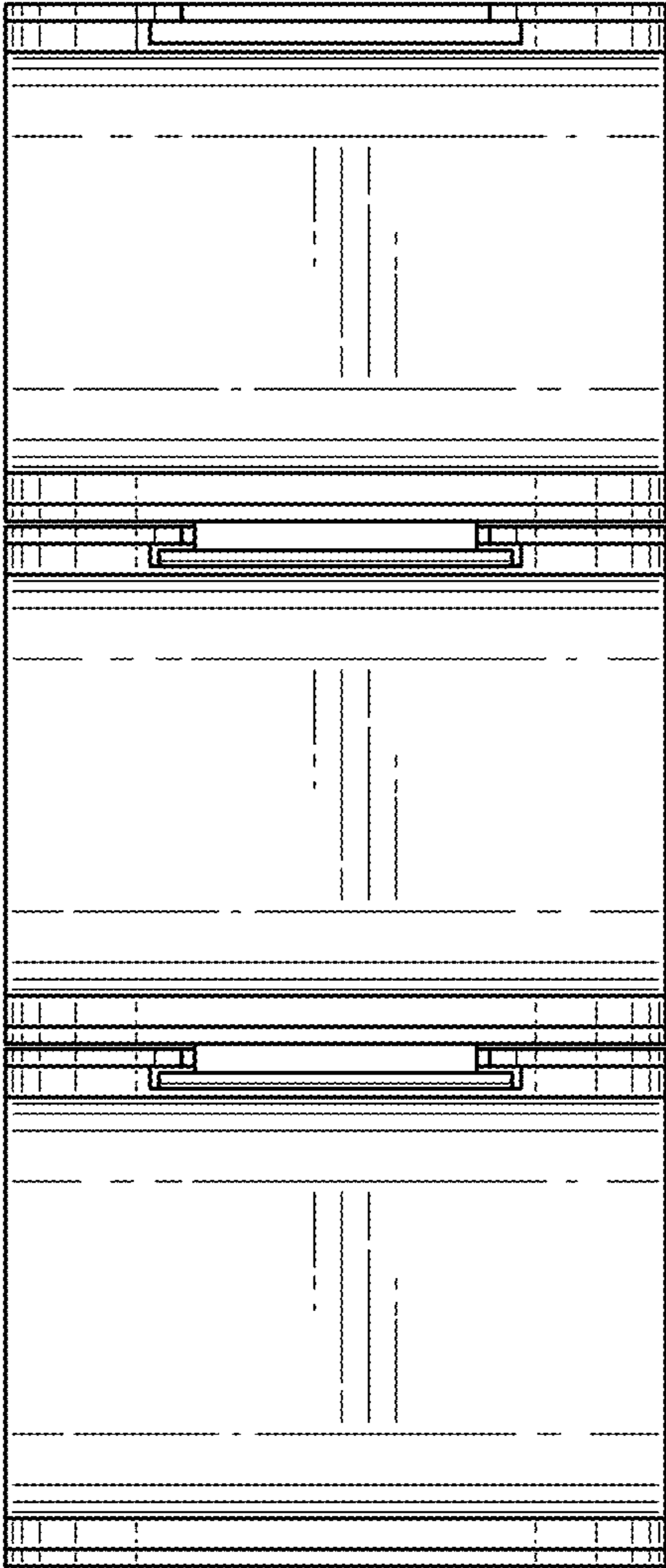


FIG. 7

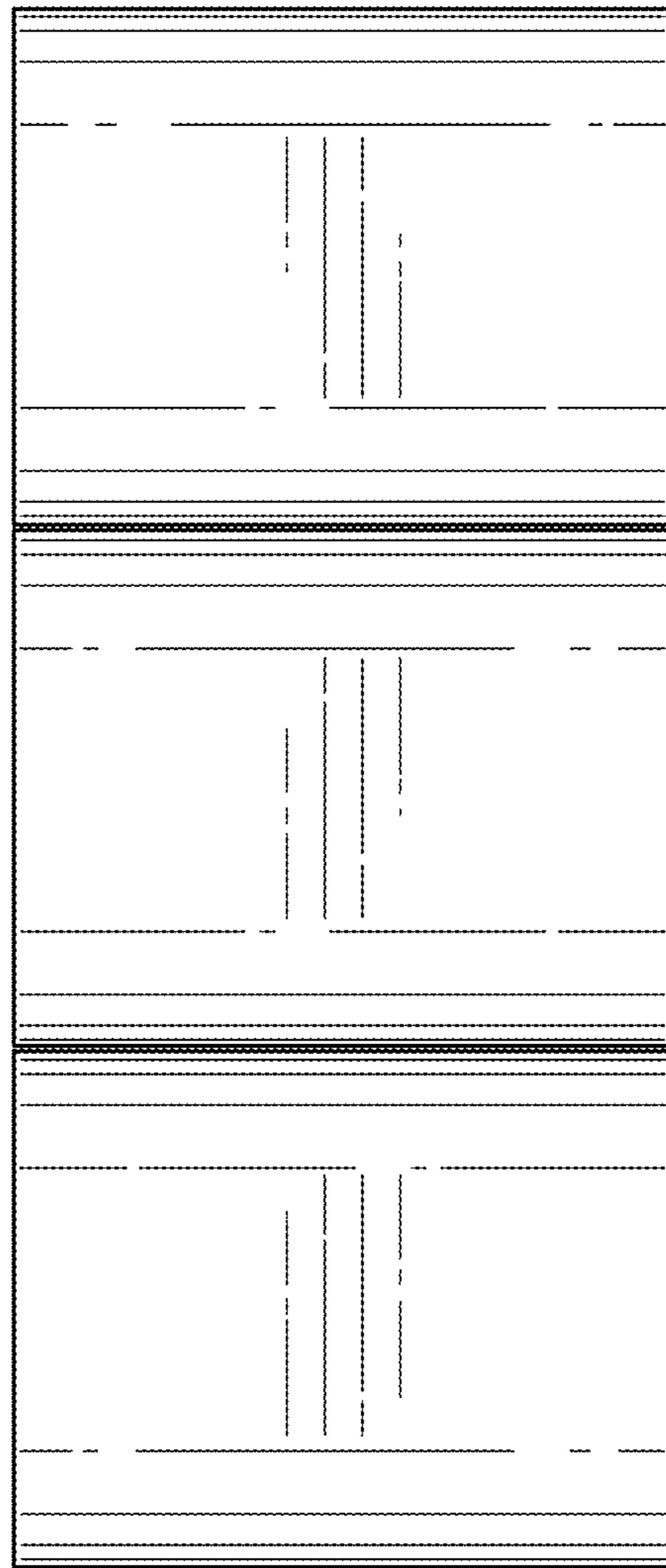


FIG. 8