



US00D808020S

(12) **United States Design Patent** (10) **Patent No.:** **US D808,020 S**
Andersen et al. (45) **Date of Patent:** **** Jan. 16, 2018**

(54) **DENTAL MATRIX RING**

(71) Applicant: **Ultradent Products, Inc.**, South Jordan, UT (US)
(72) Inventors: **Scot N. Andersen**, Draper, UT (US); **Merry Suzanne Wilson**, Salt Lake City, UT (US); **Ryan G. Noel**, Saratoga Springs, UT (US); **Steve Peterson**, Spring Lake, MI (US); **Thomas Garrison**, Spring Lake, MI (US); **Robert W. Anderson**, Coopersville, MI (US); **Derek Gorter**, Jenison, MI (US)

(73) Assignee: **Ultradent Products, Inc.**, South Jordan, UT (US)

(**) Term: **15 Years**

(21) Appl. No.: **29/573,783**

(22) Filed: **Aug. 9, 2016**

Related U.S. Application Data

(63) Continuation of application No. 29/512,039, filed on Dec. 16, 2014, now Pat. No. Des. 763,449.

(51) **LOC (11) Cl.** **24-02**

(52) **U.S. Cl.**
USPC **D24/181**

(58) **Field of Classification Search**
USPC D24/107, 155–156, 176, 180–182
(Continued)

(56) **References Cited**

U.S. PATENT DOCUMENTS

348,628 A 9/1886 Hewett
677,268 A 6/1901 Power
(Continued)

FOREIGN PATENT DOCUMENTS

EP 0097266 5/1983
WO WO 2014/047029 3/2014

OTHER PUBLICATIONS

Image from www.dentismart.com, dated Jul. 7, 2015, p. 1 of attached PDF, showing SmartView Clip and SmartBand from CompositeSmart, LLC (via WayBack Machine).

(Continued)

Primary Examiner — Wan Laymon

(74) *Attorney, Agent, or Firm* — Maschoff Brennan

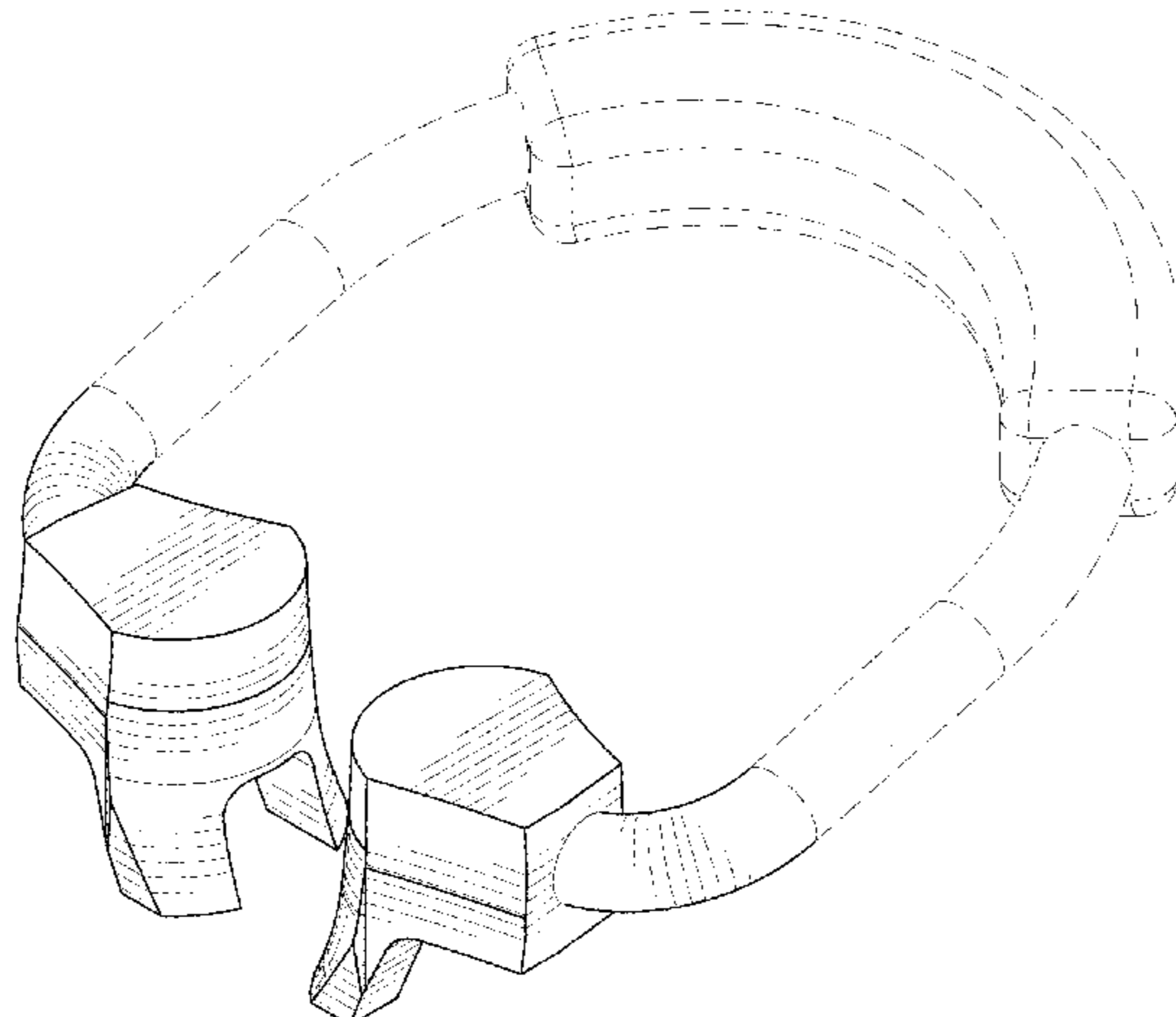
(57) **CLAIM**

The ornamental design for a dental matrix ring, as shown and described.

DESCRIPTION

FIG. 1 is a upper perspective view of an exemplary embodiment of a dental matrix ring;
FIG. 2 is a front view of the dental matrix ring shown in FIG. 1;
FIG. 3 is a rear view of the dental matrix ring shown in FIG. 1;
FIG. 4 is a top view of the dental matrix ring shown in FIG. 1;
FIG. 5 is a bottom view of the dental matrix ring shown in FIG. 1;
FIG. 6 is a left side view of the dental matrix ring shown in FIG. 1;
FIG. 7 is a right side view of the dental matrix ring; shown in FIG. 1;
FIG. 8 is a upper perspective view of another exemplary embodiment of a dental matrix ring;
FIG. 9 is a front view of the dental matrix ring shown in FIG. 8;
FIG. 10 is a rear view of the dental matrix ring shown in FIG. 8;
FIG. 11 is a top view of the dental matrix ring shown in FIG. 8;
FIG. 12 is a bottom view of the dental matrix ring shown in FIG. 8;
FIG. 13 is a left side view of the dental matrix ring shown in FIG. 8; and,
FIG. 14 is a right side view of the dental matrix ring shown in FIG. 8.

(Continued)



The broken lines shown in the figures represent portions of the dental matrix ring that form no part of the claimed design.

1 Claim, 10 Drawing Sheets

(58) Field of Classification Search

CPC A61C 5/125; A61C 5/127; A61C 5/122;
A61C 5/12; A61C 7/00; A61C 7/18;
A61C 15/00

See application file for complete search history.

(56) References Cited

U.S. PATENT DOCUMENTS

2,651,841	A	9/1953	Peterson	
4,718,852	A	1/1988	Galler	
5,607,302	A	3/1997	Garrison et al.	
6,206,697	B1	3/2001	Hugo	
6,220,858	B1	4/2001	McKenna et al.	
6,293,796	B1	9/2001	Trom et al.	
6,325,625	B1	12/2001	Meyer	
6,336,810	B1	1/2002	Bertoletti	
6,589,053	B2	7/2003	Bills	
7,077,651	B2	7/2006	Anderson	
7,175,432	B2	2/2007	McDonald	
7,284,983	B2	10/2007	McDonald	
D604,854	S	11/2009	McDonald	
8,029,281	B2	10/2011	Ho	
8,529,258	B2	9/2013	Doenges et al.	
8,899,979	B2 *	12/2014	Anderson	A61C 5/125 433/148
D747,809	S	1/2016	Anderson	
D770,050	S *	10/2016	Anderson	D24/181

2005/0118554	A1	6/2005	Kilcher et al.	
2007/0172793	A1 *	7/2007	Doenges	A61C 5/125 433/139
2013/0252198	A1	9/2013	Boos et al.	
2013/0252199	A1	9/2013	Clark	
2013/0344455	A1	12/2013	Hull et al.	
2014/0242544	A1	8/2014	Anderson et al.	
2015/0216625	A1	8/2015	McDonald	

OTHER PUBLICATIONS

Image from www.dentismart.com, dated Feb. 14, 2015, p. 2 of attached PDF, showing SmartView Clip from CompositeSmart, LLC (via WayBack Machine).

Image from www.dentismart.com, dated Feb. 14, 2015, p. 3 of attached PDF, showing partial view of SmartView Clip from CompositeSmart, LLC (via WayBack Machine).

Image from www.dentismart.com, dated Sep. 3, 2014, p. 4 of attached PDF, showing SmartView Clips from CompositeSmart, LLC (via WayBack Machine).

Image from www.dentismart.com, dated Jul. 7, 2015, p. 16 of attached PDF, showing SmartBand from CompositeSmart, LLC (via WayBack Machine).

Image from www.dentismart.com, dated Jul. 7, 2015, p. 17 of attached PDF, showing SmartBand from CompositeSmart, LLC (via WayBack Machine).

Image from www.dentismart.com, dated Jul. 17, 2013, p. 18 of attached PDF, showing coated SmartBands from CompositeSmart, LLC (via WayBack Machine).

Image from www.dentismart.com, dated Sep. 2, 2014, p. 19 of attached PDF, showing uncoated SmartBands from CompositeSmart, LLC (via WayBack Machine).

Image from www.dentismart.com dated Sep. 3, 2014, p. 20 of attached PDF, showing assortment of coated SmartBands from CompositeSmart, LLC (via WayBack Machine).

* cited by examiner

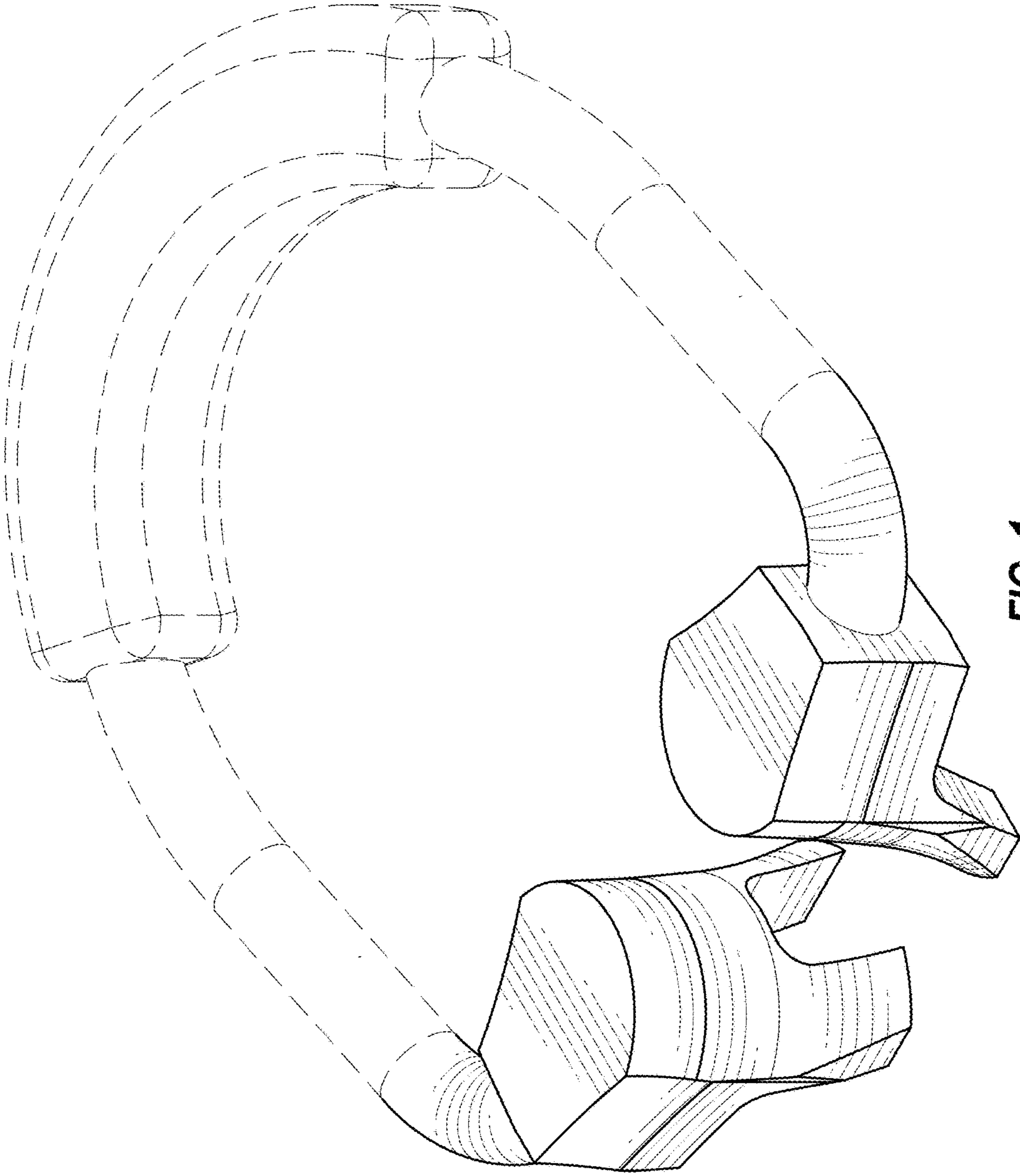


FIG. 1

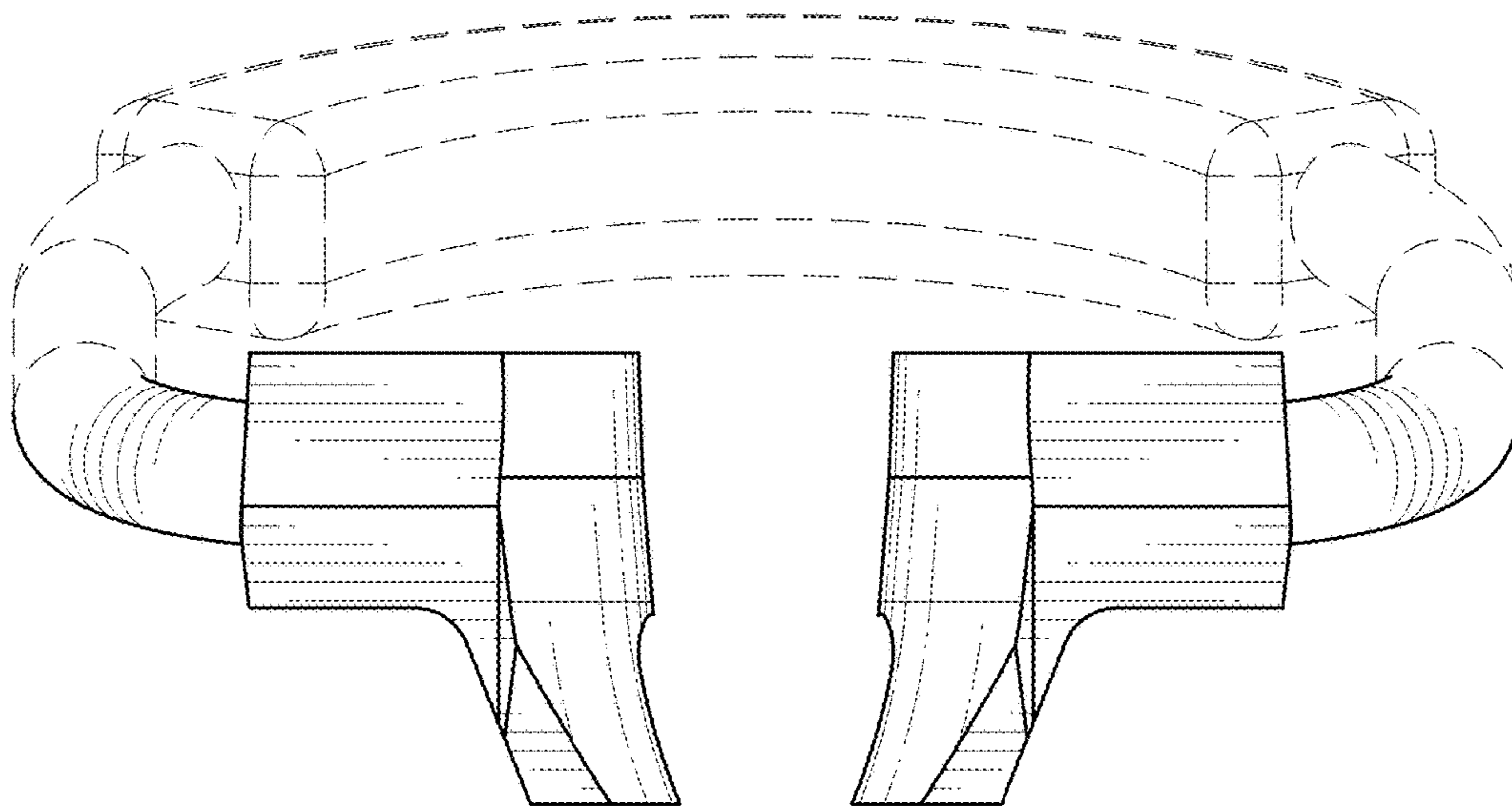


FIG. 2

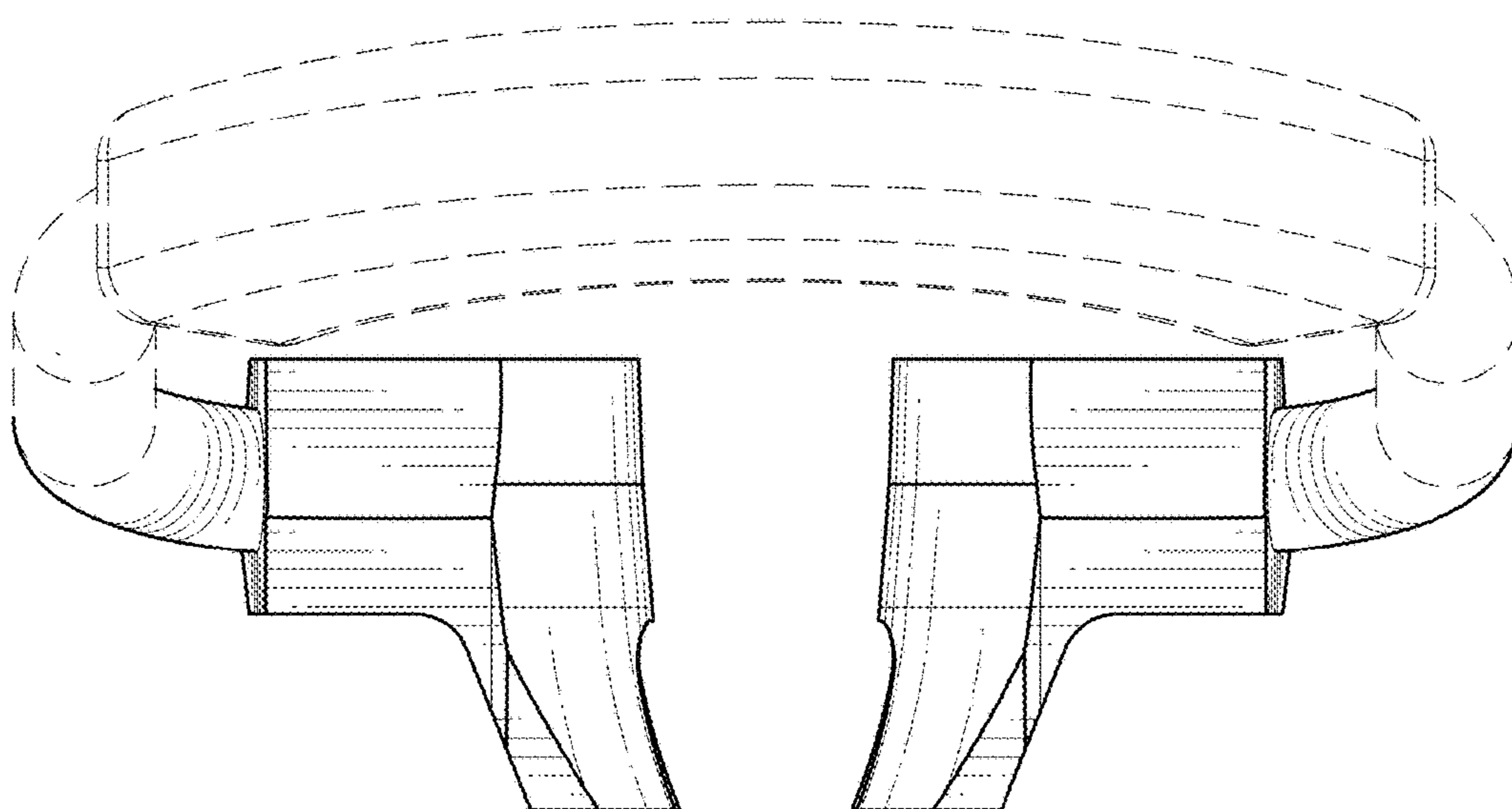


FIG. 3

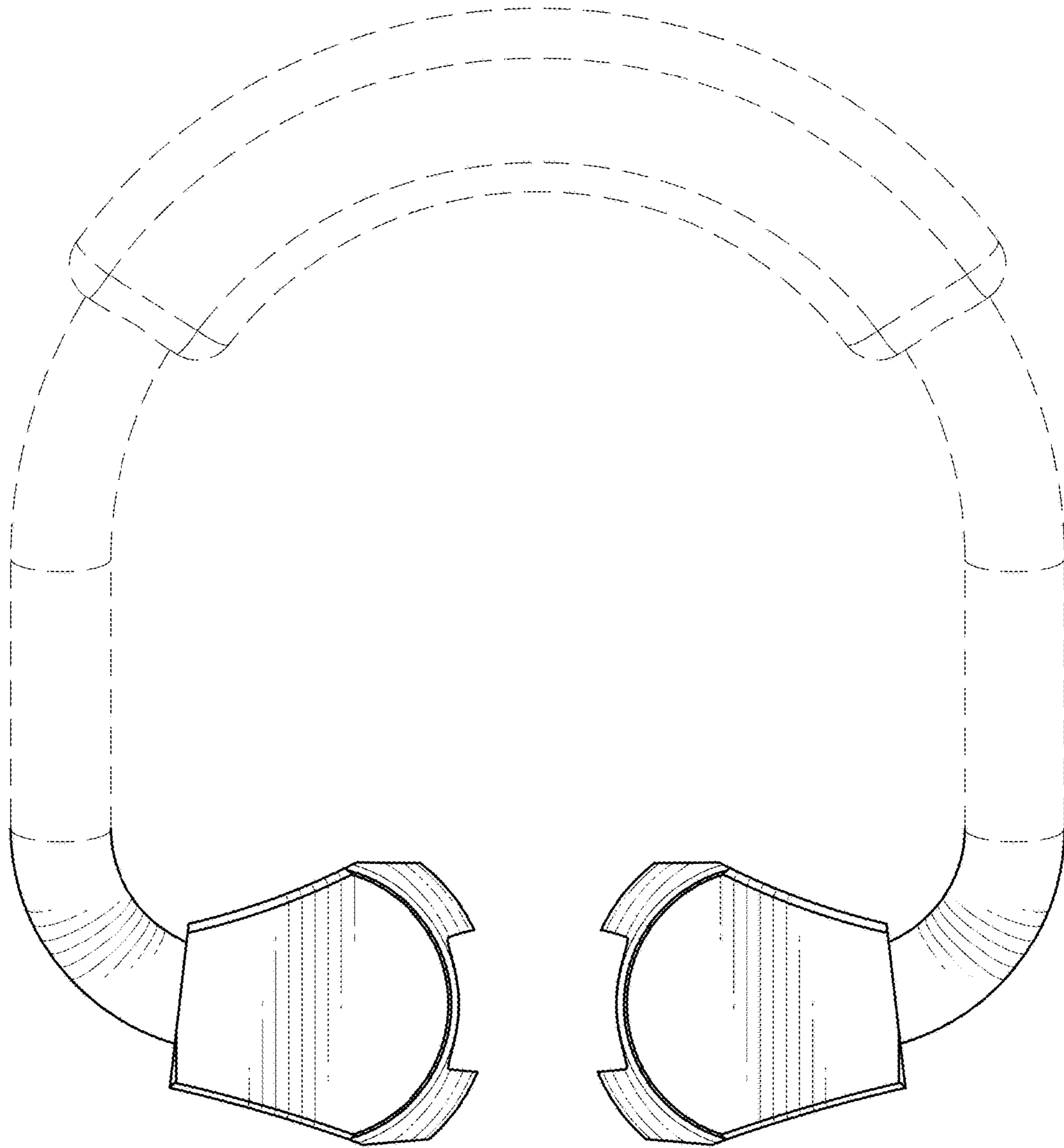


FIG. 4

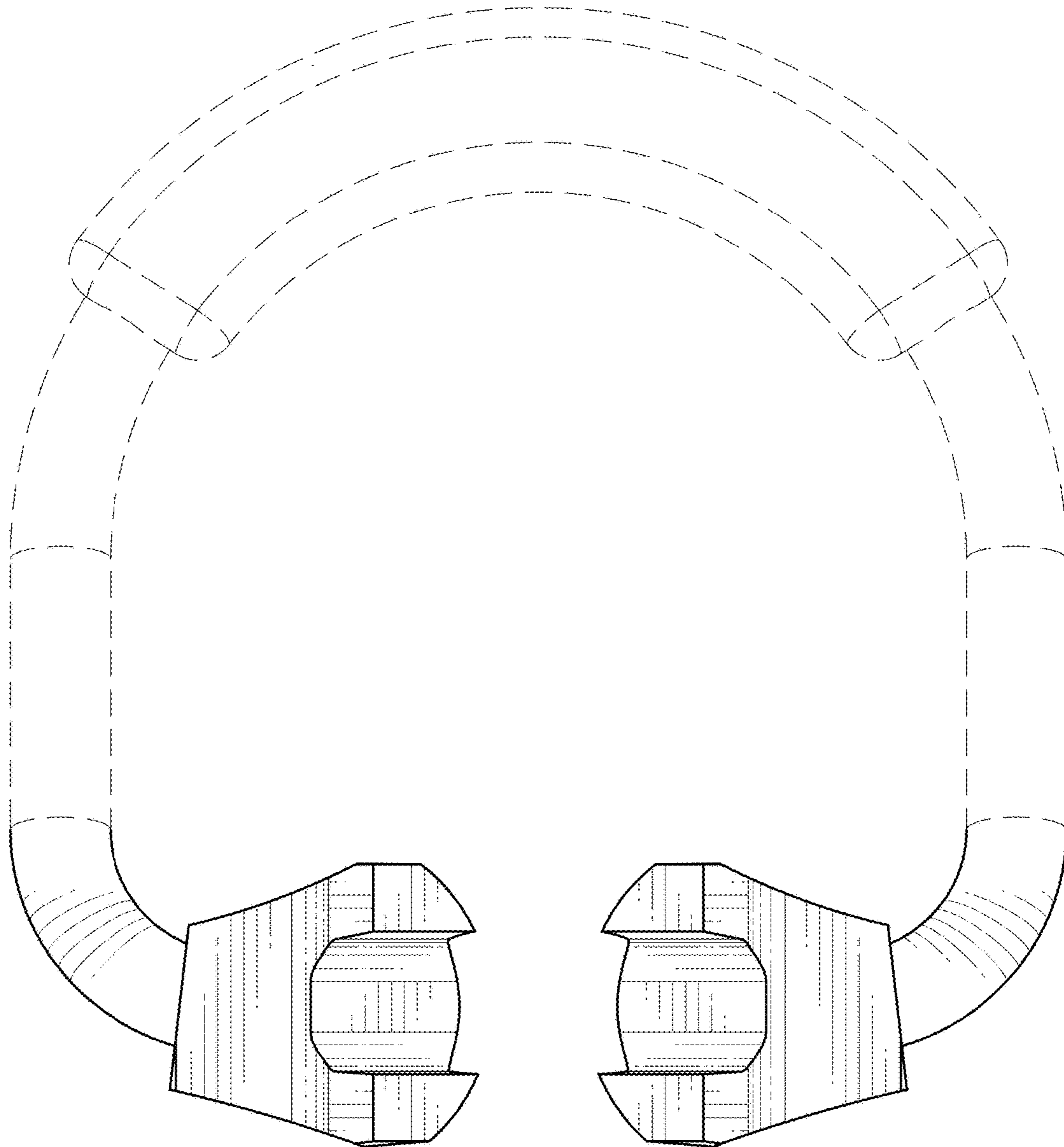


FIG. 5

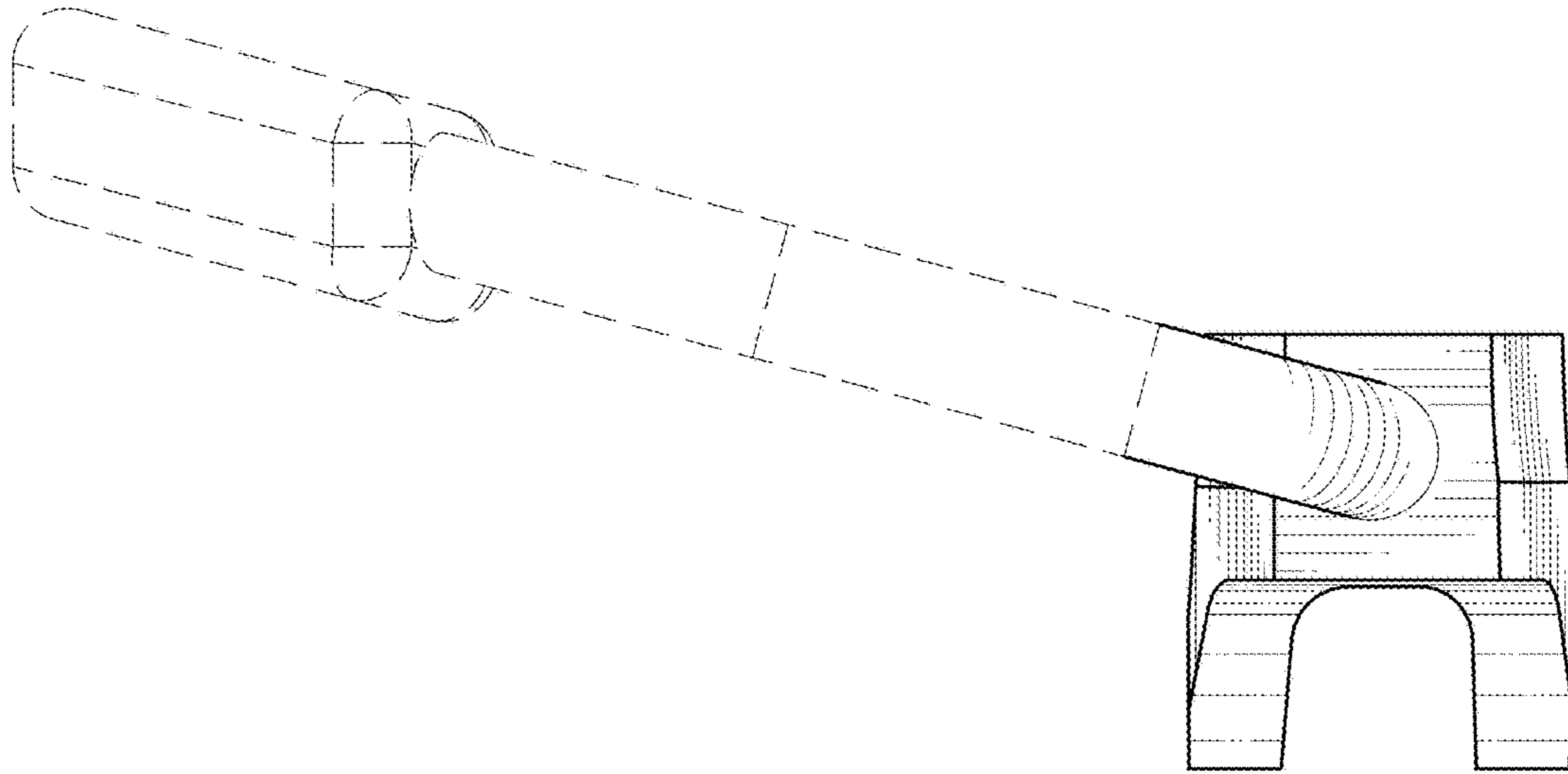


FIG. 6

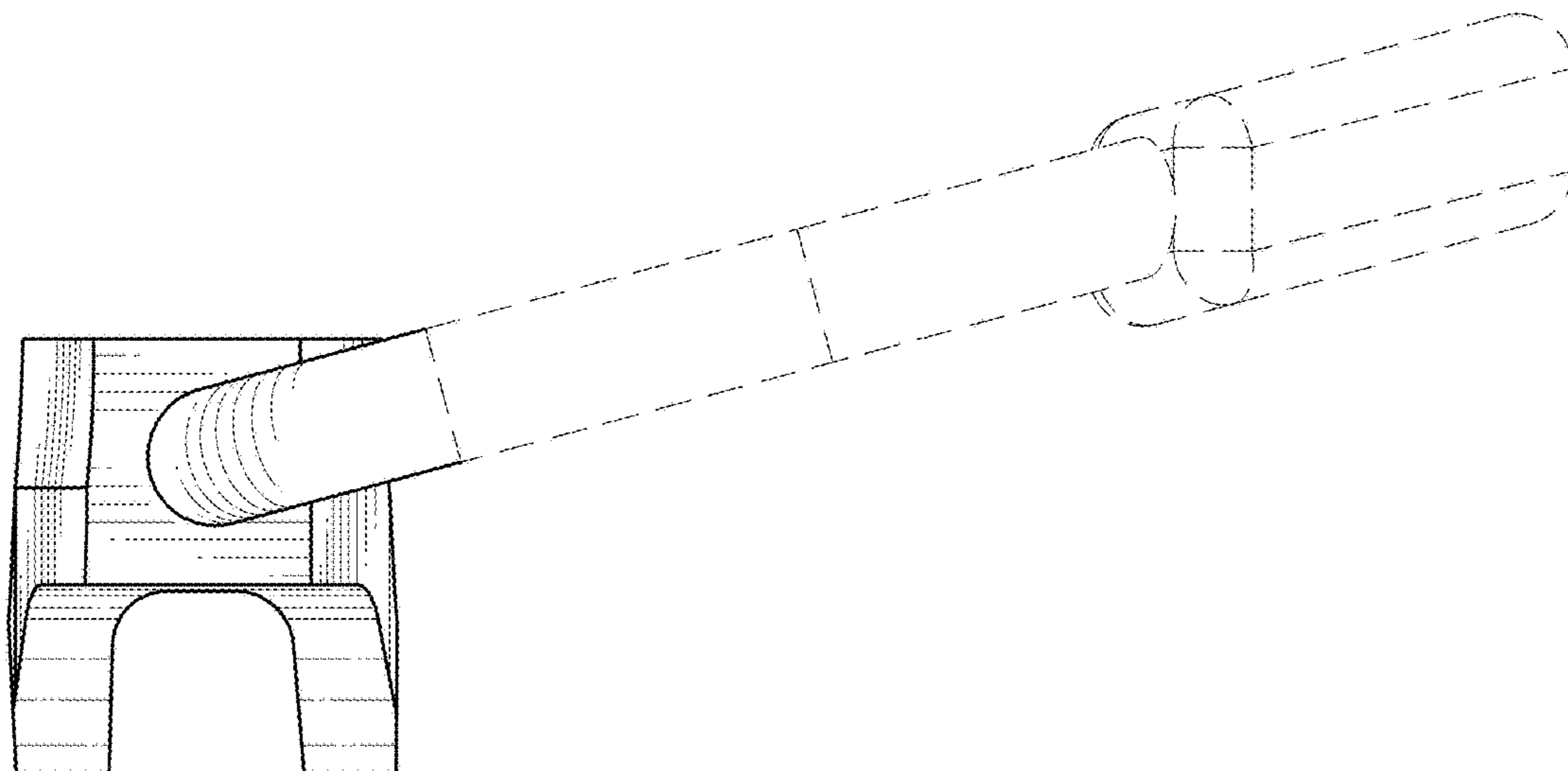


FIG. 7

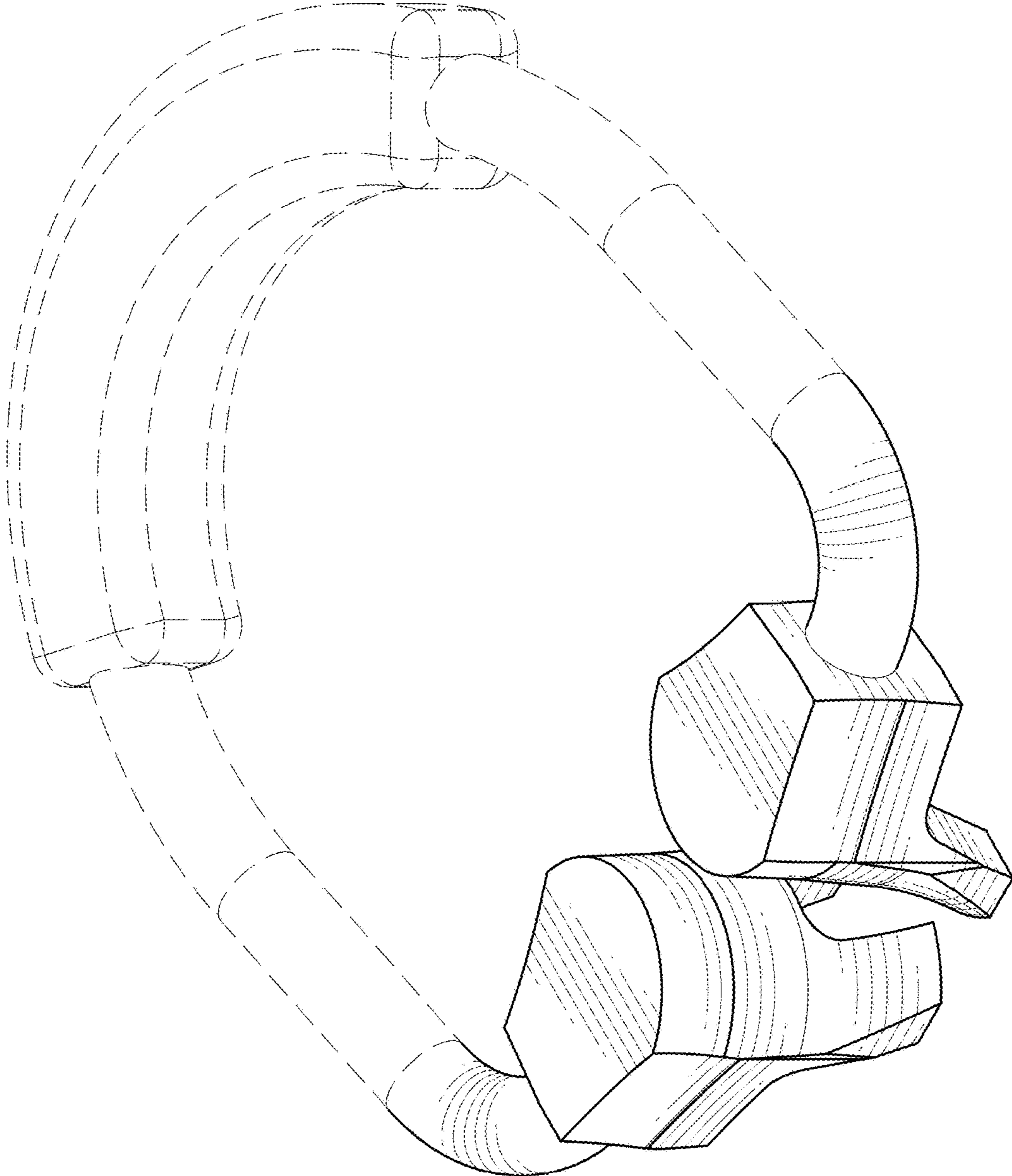


FIG. 8

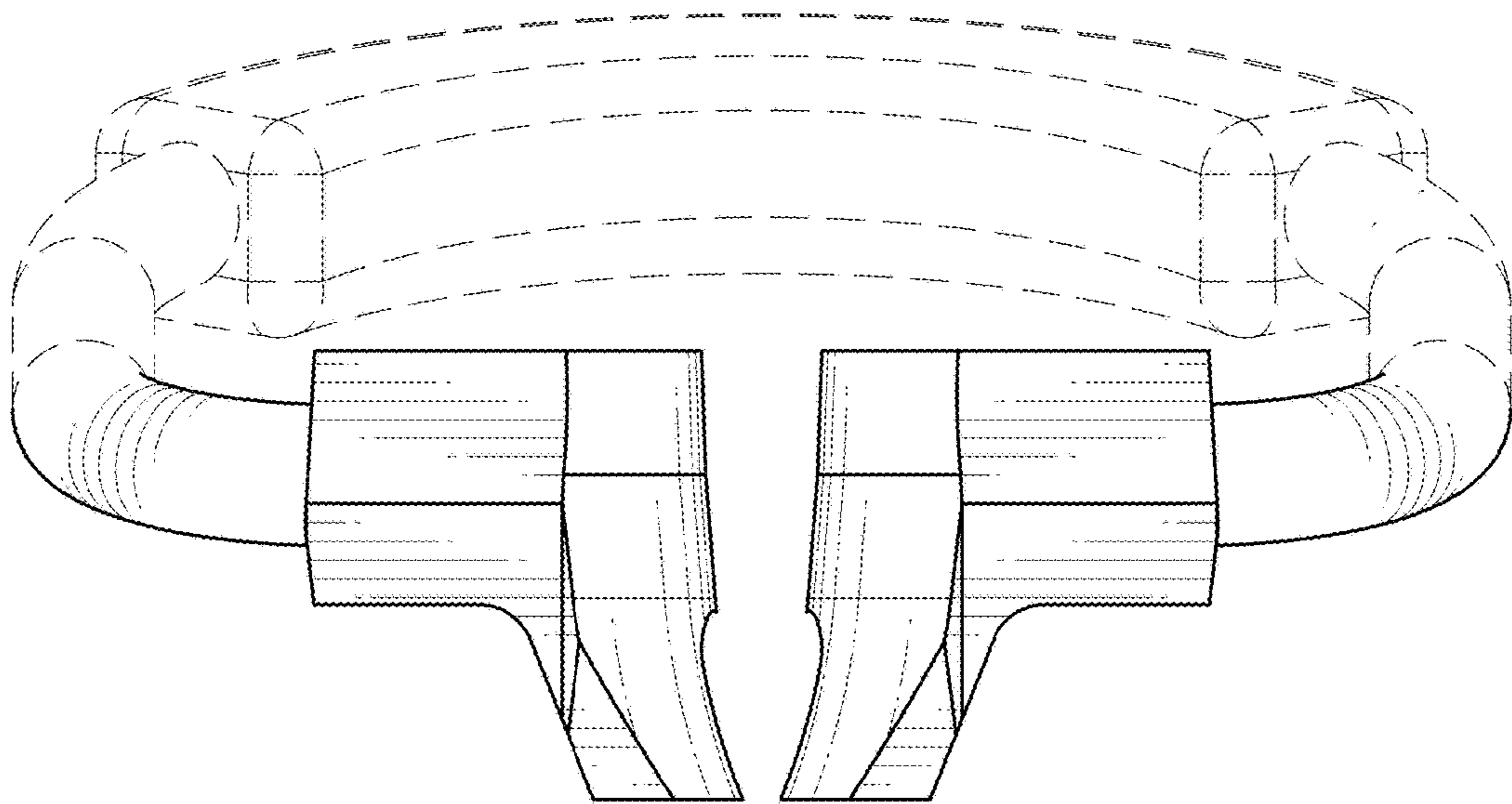


FIG. 9

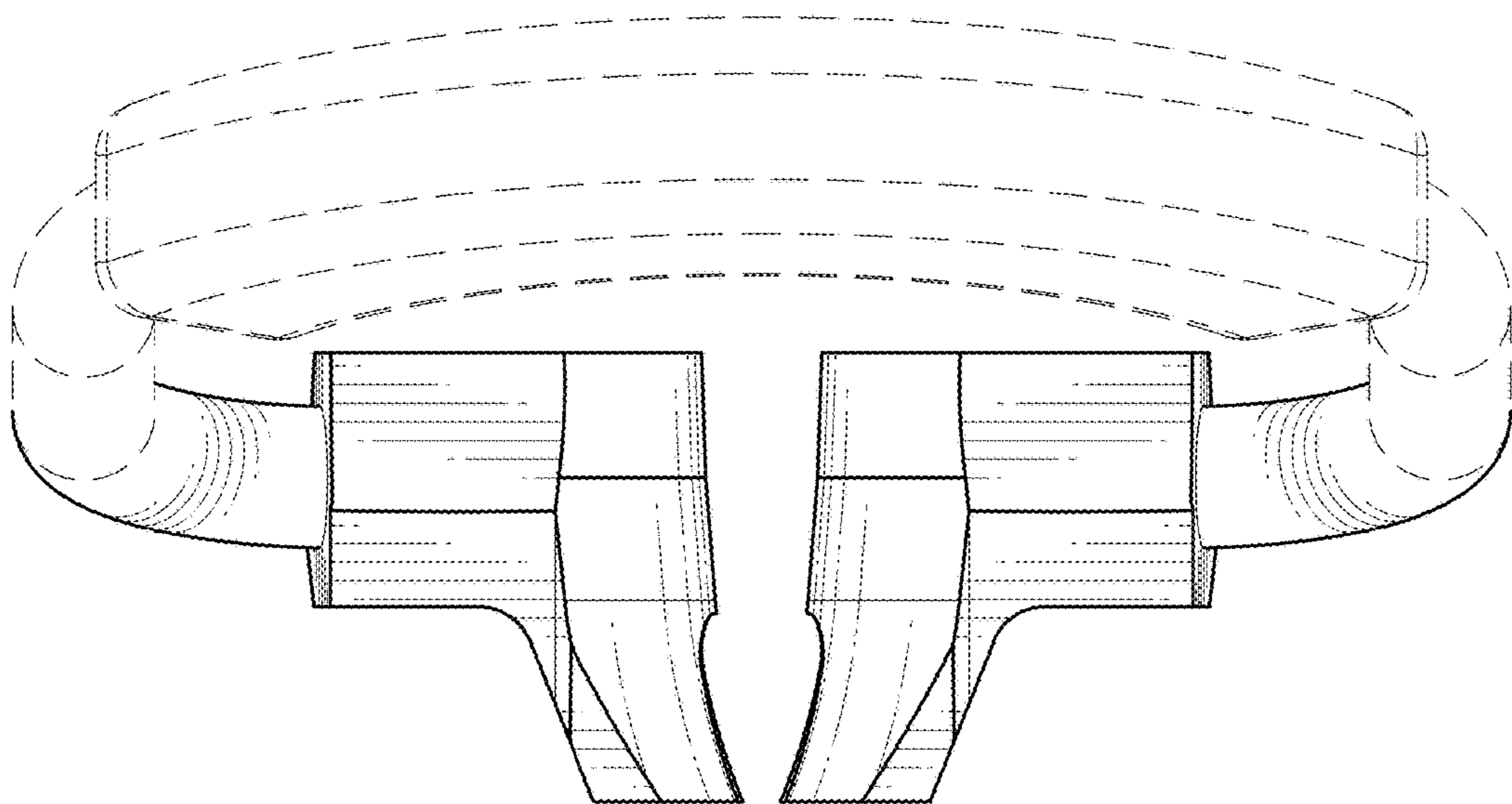


FIG. 10

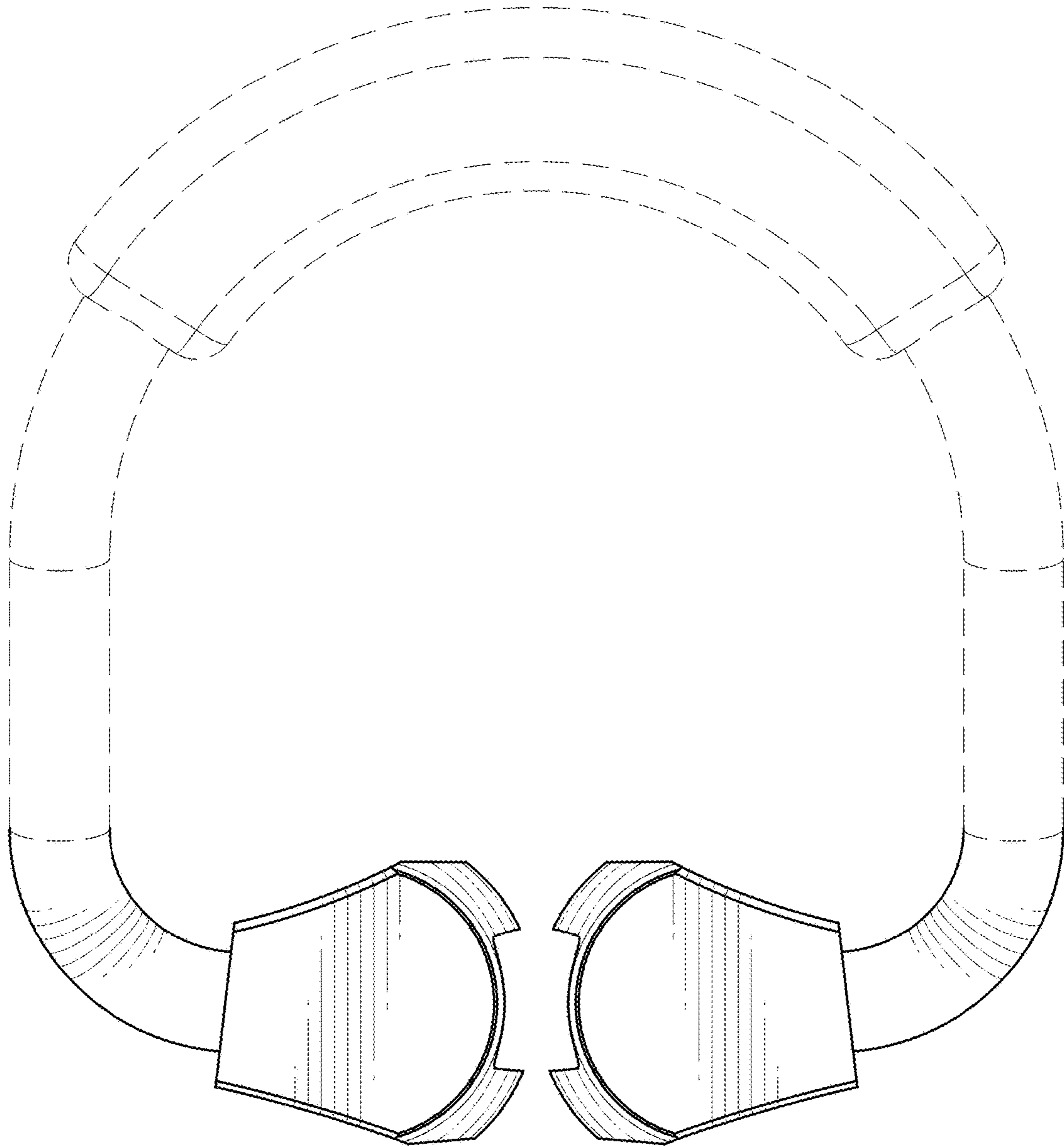


FIG. 11

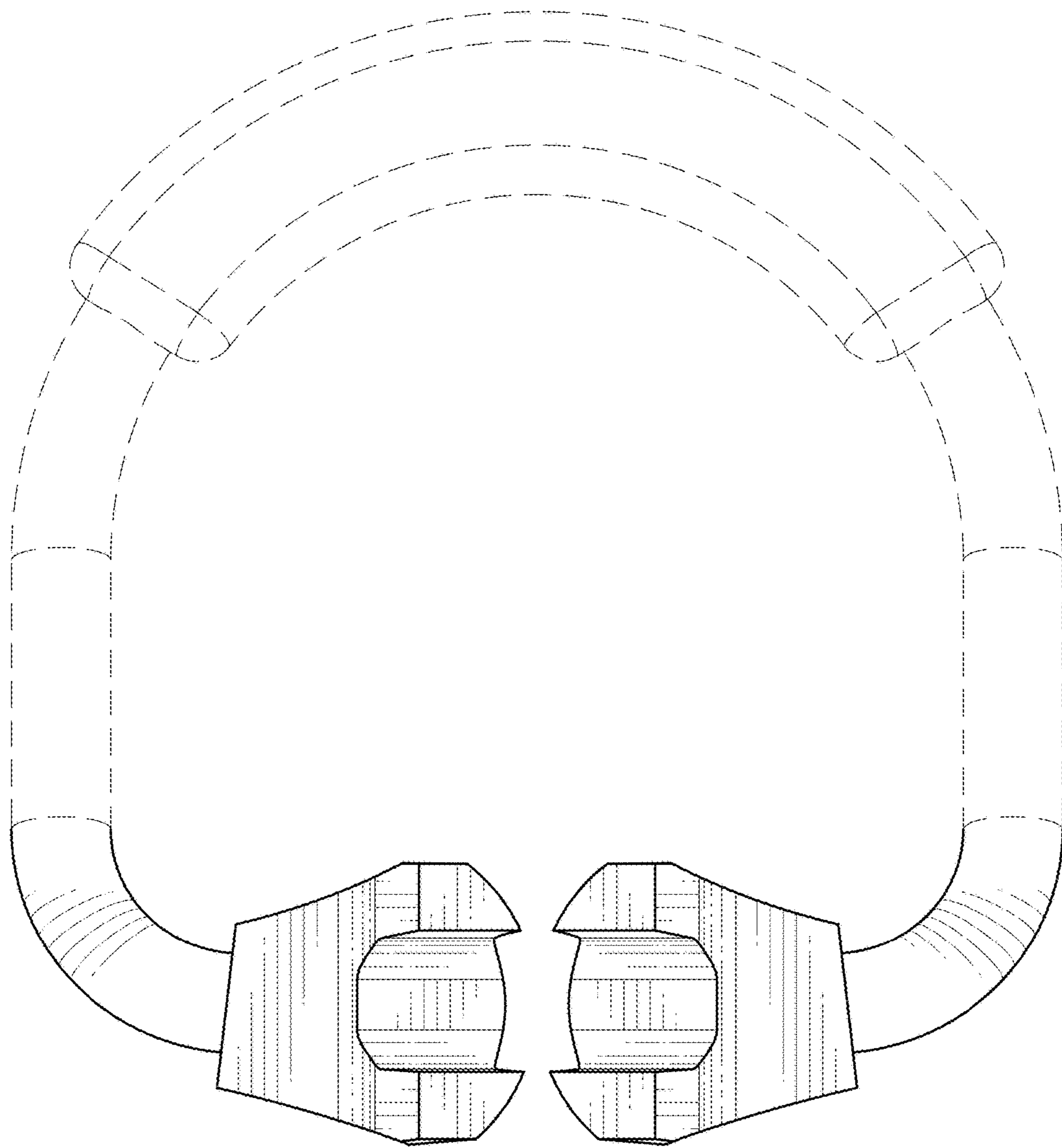


FIG. 12

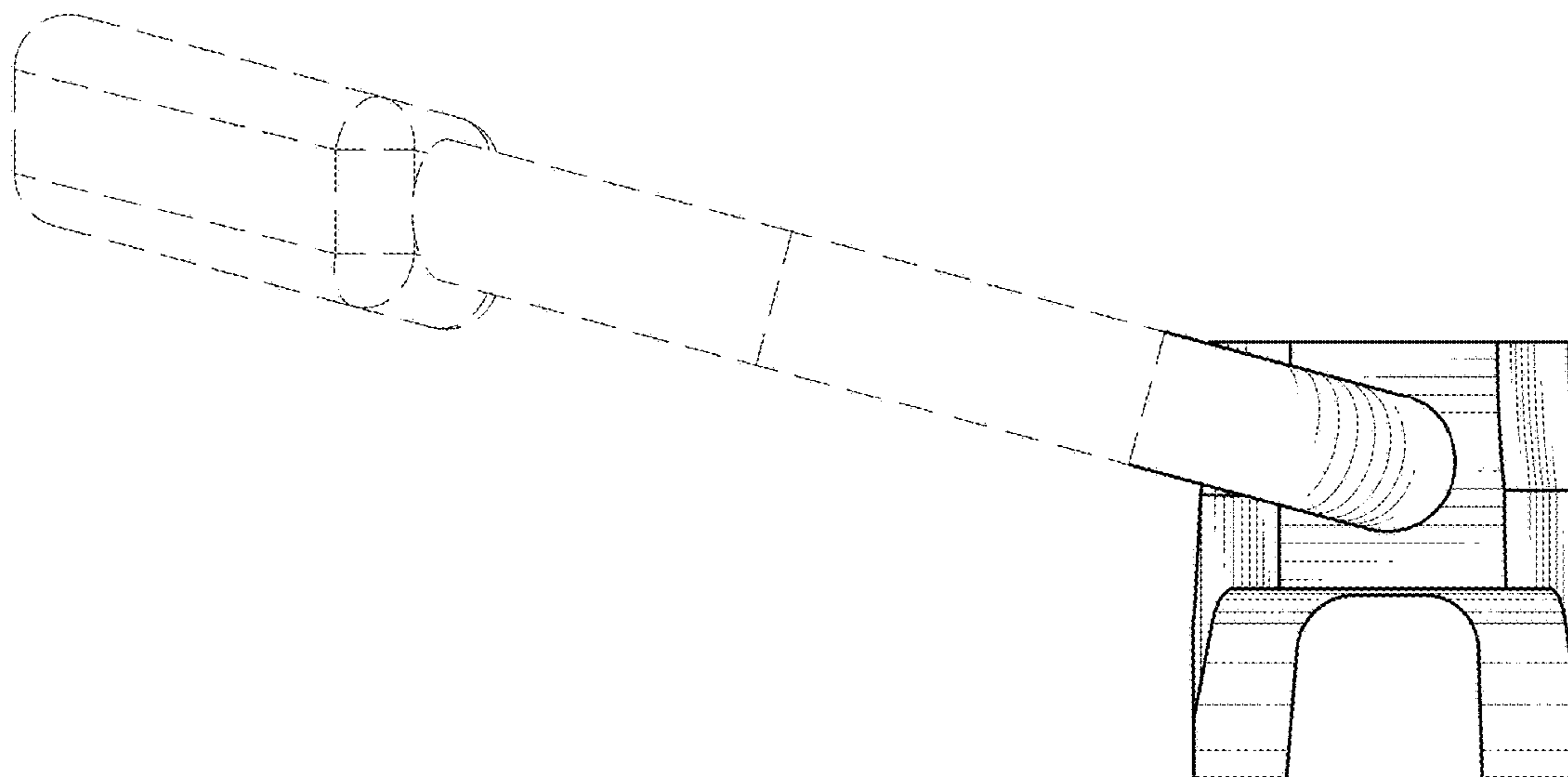


FIG. 13

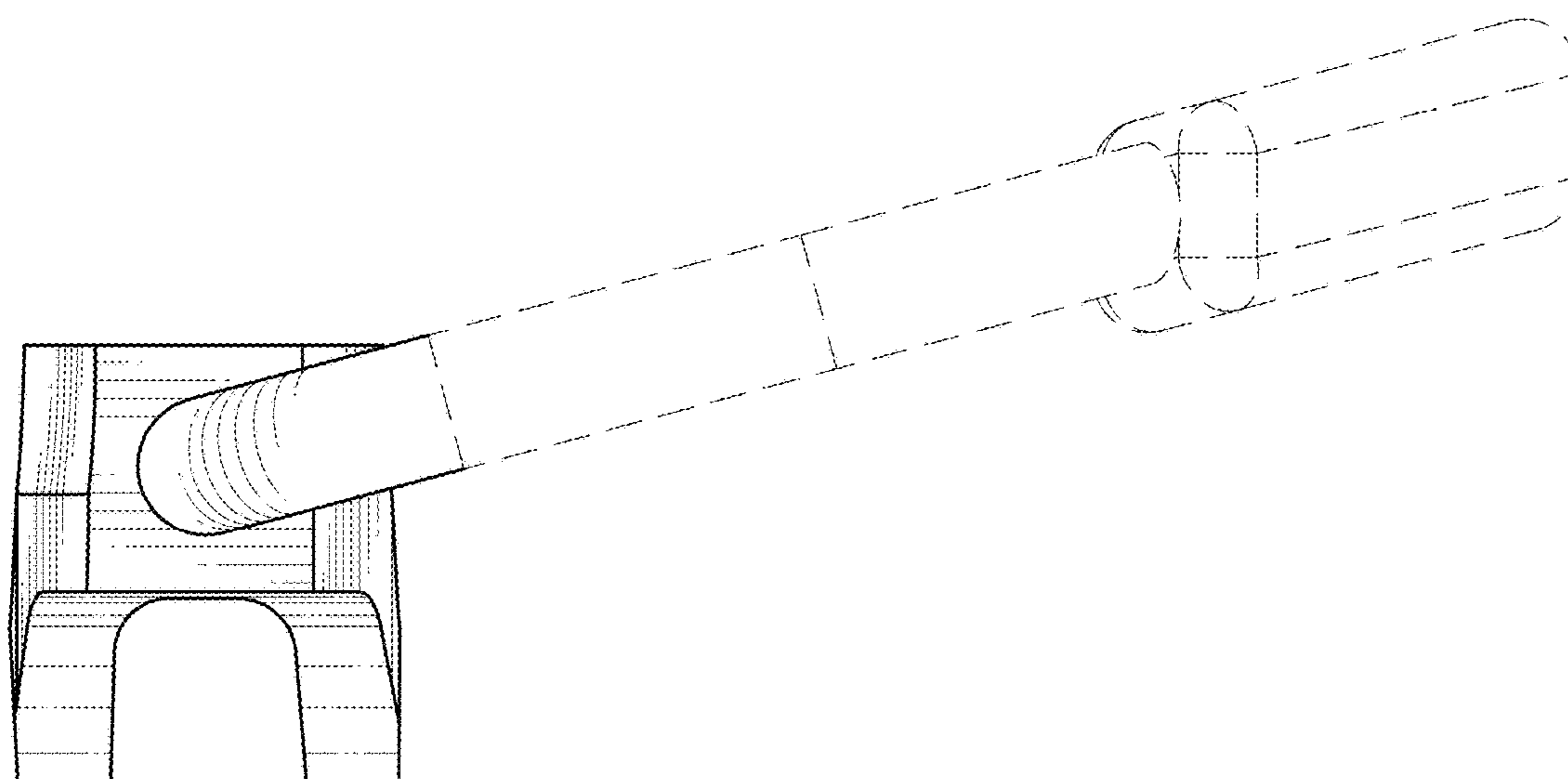


FIG. 14