



US00D808015S

(12) **United States Design Patent** (10) **Patent No.:** **US D808,015 S**
Demarest et al. (45) **Date of Patent:** **** Jan. 16, 2018**

- (54) **ORAL CARE IMPLEMENT**
- (71) Applicant: **Colgate-Palmolive Company**, New York, NY (US)
- (72) Inventors: **Scott Demarest**, Basking Ridge, NJ (US); **Michael Terranova**, Fairfield, CT (US); **Raymond Clepper**, Brooklyn, NY (US)
- (73) Assignee: **COLGATE-PALMOLIVE COMPANY**, New York, NY (US)
- (**) Term: **15 Years**
- (21) Appl. No.: **29/602,322**
- (22) Filed: **May 1, 2017**

D532,907 S	11/2006	Feinbloom et al.
D548,341 S	8/2007	Ohta et al.
D594,985 S	6/2009	Jansheski et al.
D599,018 S	8/2009	Plank et al.
8,002,546 B2	8/2011	Viscomi
D653,547 S	2/2012	Canuto
D768,386 S	10/2016	Demarest

FOREIGN PATENT DOCUMENTS

AU	116305	2/1993
AU	129537	3/1997
AU	341129	2/2012
AU	347603	3/2013
AU	354239	3/2014
AU	354240	3/2014
AU	354241	3/2014

OTHER PUBLICATIONS

Unpublished design U.S. Appl. No. 29/529,801, filed June 10, 2015, Applicant Colgate-Palmolive Company.

Primary Examiner — Wan Laymon

Related U.S. Application Data

- (62) Division of application No. 29/529,805, filed on Jun. 10, 2015, now Pat. No. Des. 788,923.
- (51) **LOC (11) Cl.** **24-02**
- (52) **U.S. Cl.**
USPC **D24/152**
- (58) **Field of Classification Search**
USPC D24/152, 156, 133, 147, 214; D8/88, D8/107; D4/104; 433/141, 114, 51
CPC A61C 3/00; A61C 3/025
See application file for complete search history.

(57) **CLAIM**

The ornamental design for an oral care implement, as shown and described.

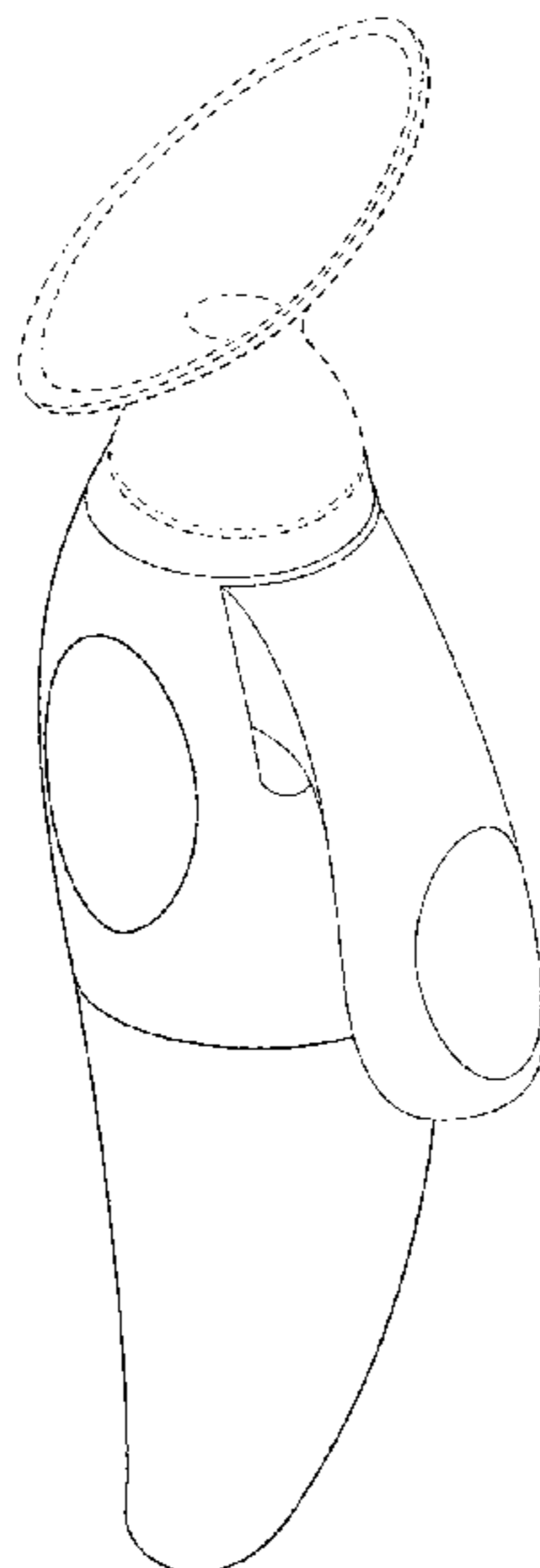
DESCRIPTION

FIG. 1 is a perspective view of the new design; FIG. 2 is a right side view thereof; FIG. 3 is a left side view thereof; FIG. 4 is a rear view thereof; FIG. 5 is a front view thereof; FIG. 6 is a top view thereof; and, FIG. 7 is a bottom view thereof. All broken lines shown in the drawings are for environmental purposes only and form no part of the claimed design.

(56) **References Cited**
U.S. PATENT DOCUMENTS

D323,034 S	1/1992	Reinstein
D340,521 S	10/1993	Heinzelman et al.
D414,582 S	9/1999	Hwang
D417,730 S	12/1999	Brassil et al.
D428,816 S	8/2000	Shiokawa et al.

1 Claim, 4 Drawing Sheets



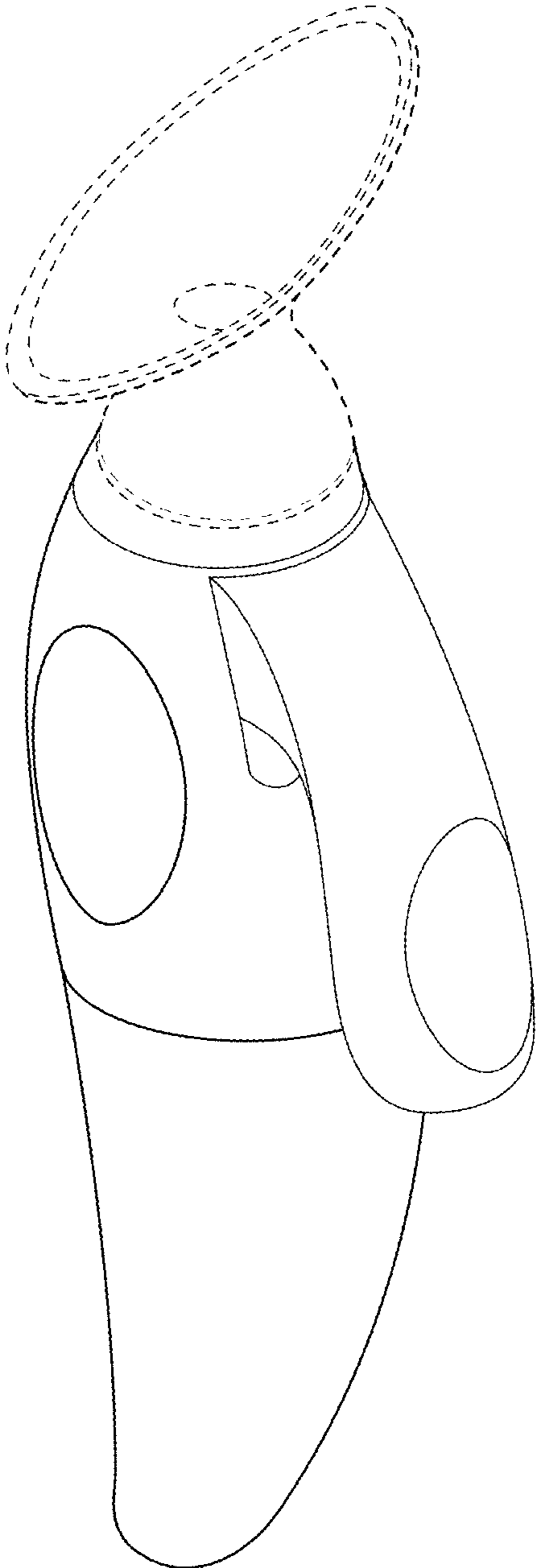


FIG. 1

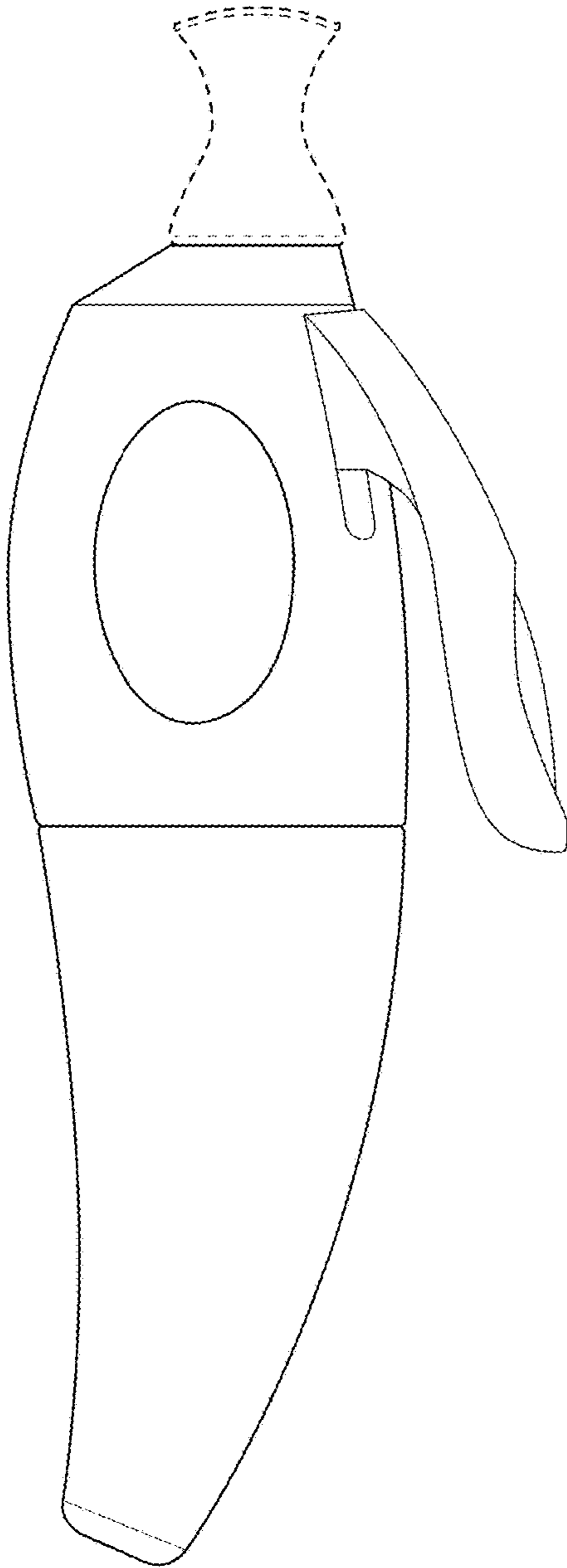


FIG. 2

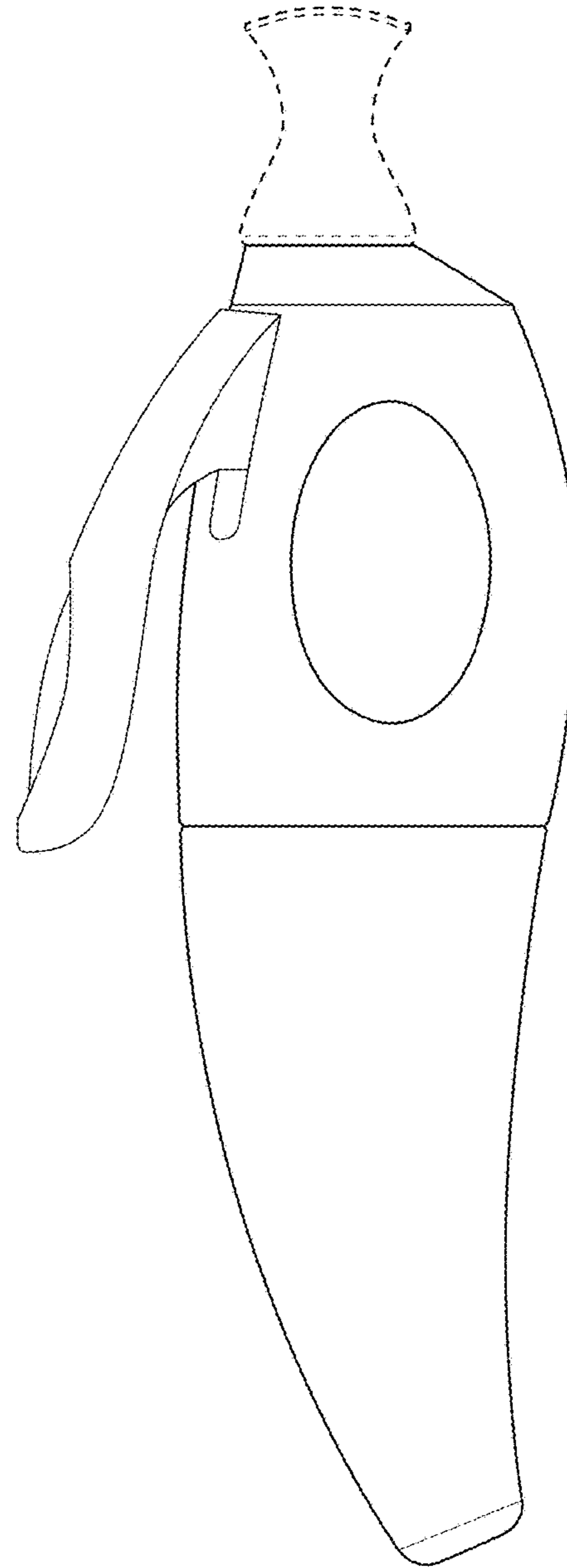


FIG. 3

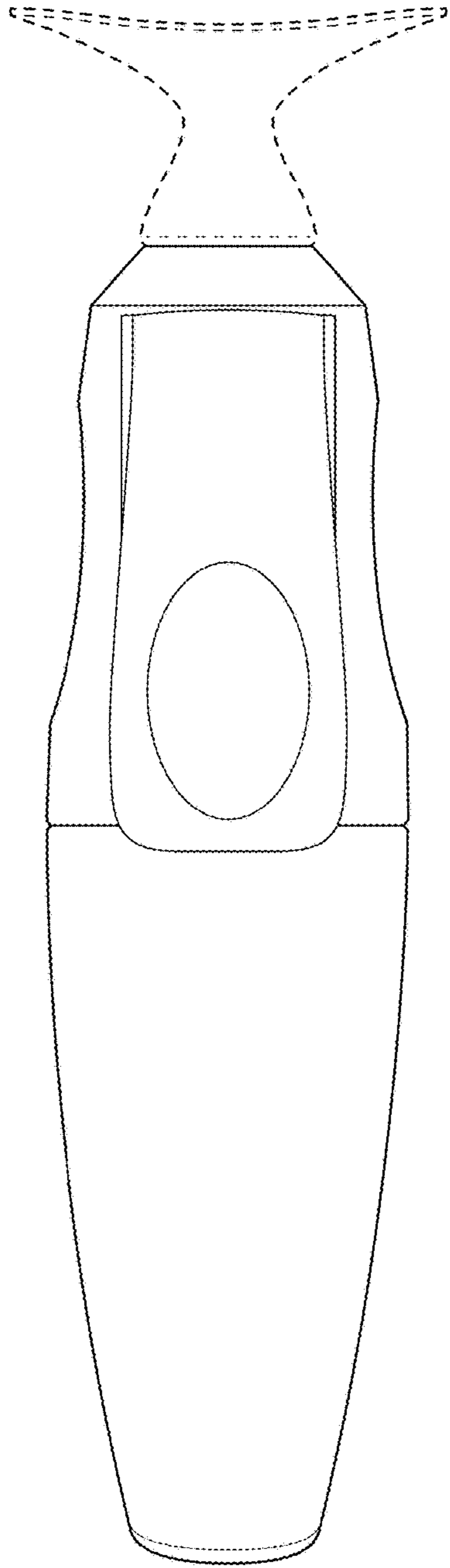


FIG. 4

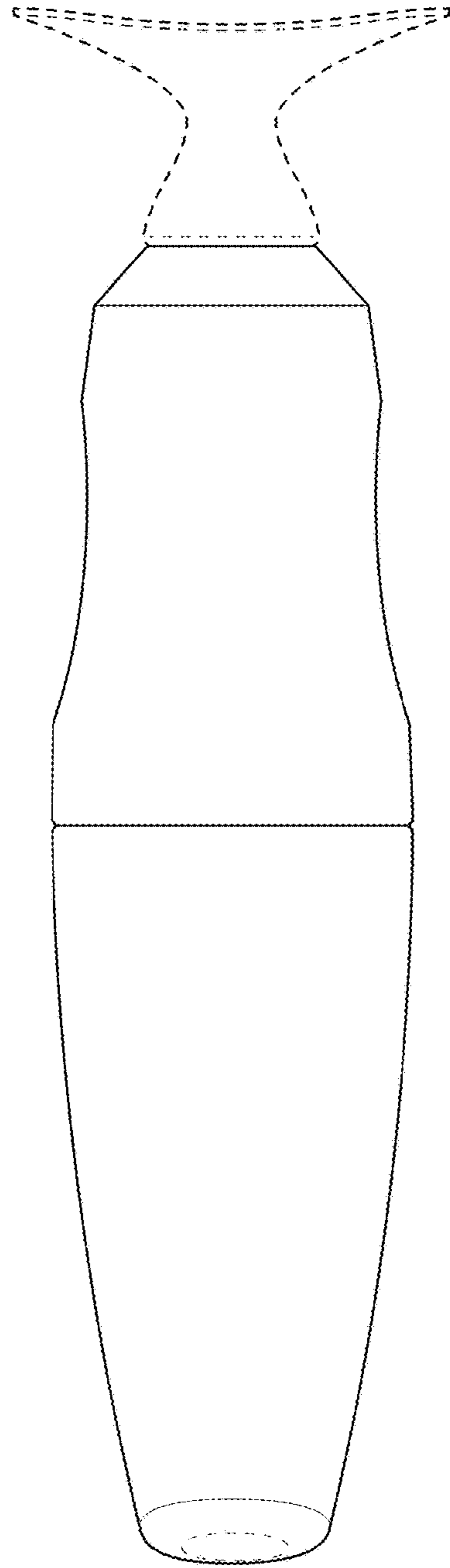


FIG. 5

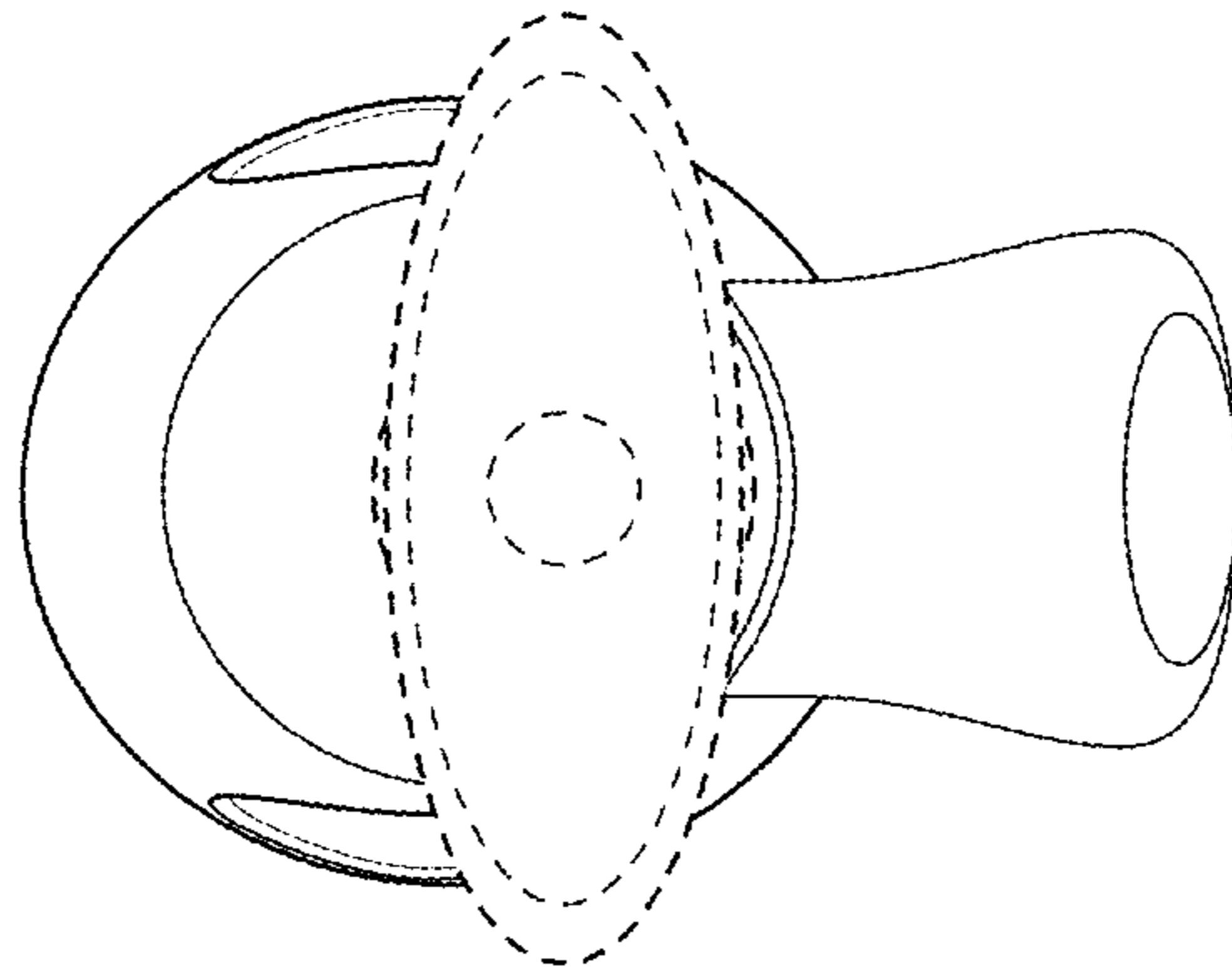


FIG. 6

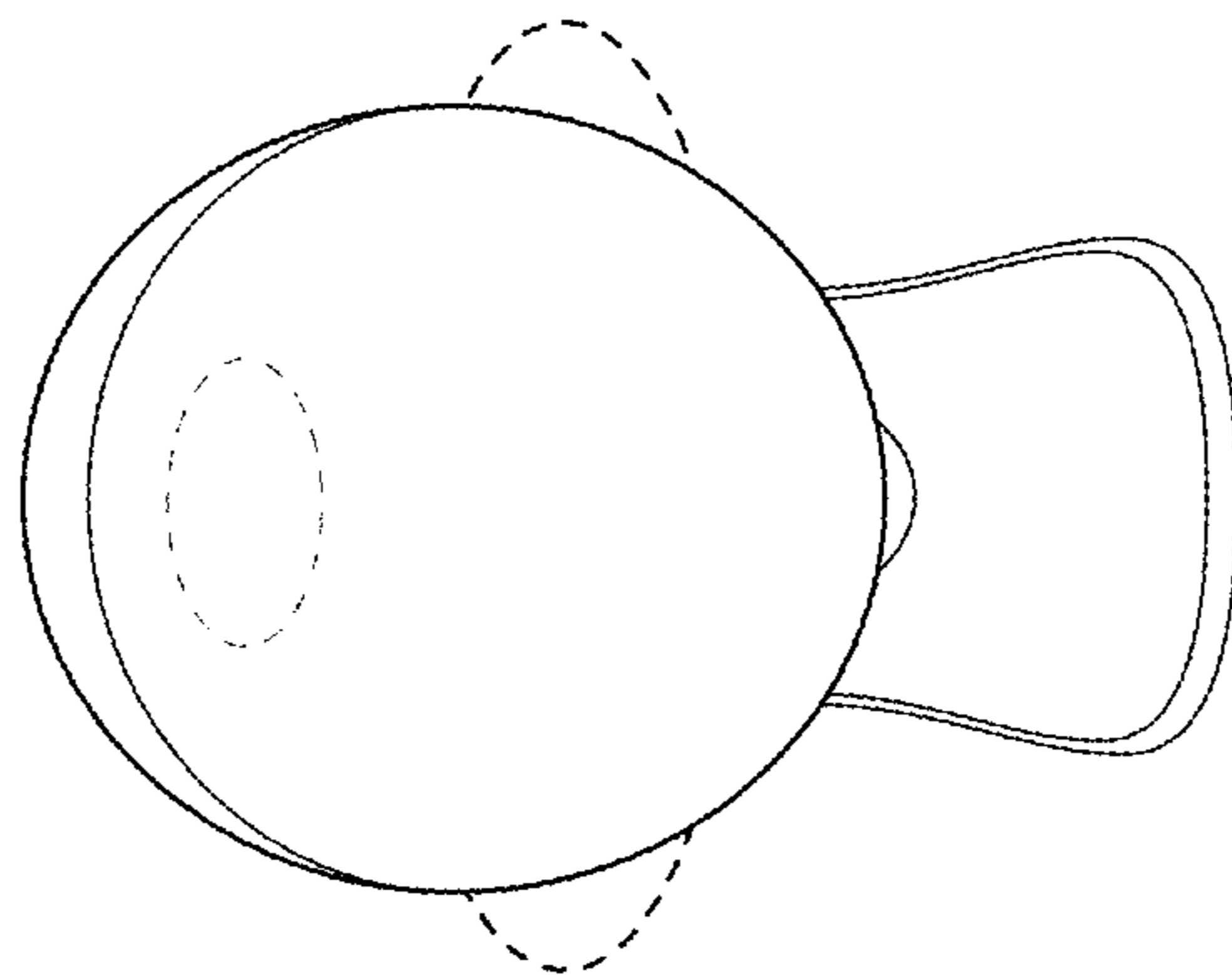


FIG. 7