



US00D808014S

(12) **United States Design Patent**
Kang et al.

(10) **Patent No.:** **US D808,014 S**
(45) **Date of Patent:** **** Jan. 16, 2018**

(54) **LIGHT SOURCE APPARATUS FOR ENDOSCOPE**

(71) Applicant: **INTHESMART Inc.**, Seoul (KR)

(72) Inventors: **Uk Kang**, Seoul (KR); **Ilhyung Shin**, Jeju (KR)

(73) Assignee: **INTHESMART Inc.**, Seoul (KR)

(**) Term: **15 Years**

(21) Appl. No.: **29/585,777**

(22) Filed: **Nov. 29, 2016**

(30) **Foreign Application Priority Data**

Oct. 24, 2016 (KR) 30-2016-0050867

(51) **LOC (11) Cl.** **24-02**

(52) **U.S. Cl.**
USPC **D24/138**

(58) **Field of Classification Search**
USPC D24/133, 137, 138, 108, 117, 118, 140,
D24/141; D16/221; D13/171, 152;
600/109, 110, 117, 131, 145-147
CPC A61B 1/00; A61B 1/04; A61B 1/00039;
A61B 1/0052; A61B 1/00066; G02B
23/2484
See application file for complete search history.

(56) **References Cited**

U.S. PATENT DOCUMENTS

D598,098 S * 8/2009 Tanaka D24/107
D670,806 S * 11/2012 Hayamizu D24/138
D671,212 S * 11/2012 Tanaka D24/138

D719,259 S * 12/2014 Shimobayashi D24/138
D723,683 S * 3/2015 Yoshida D24/138
D728,776 S * 5/2015 Rogers D24/107
D743,285 S * 11/2015 Wu D10/104.1
D754,337 S * 4/2016 Hayamizu D24/138
D754,340 S * 4/2016 Hayamizu D24/138
D754,341 S * 4/2016 Hayamizu D24/138
D754,852 S * 4/2016 Hayamizu D24/138
D754,853 S * 4/2016 Hayamizu D24/138
D784,533 S * 4/2017 Hayamizu D24/138
2016/0274350 A1 * 9/2016 Aizenfeld G02B 23/2438
2016/0287057 A1 * 10/2016 Fukushima A61B 1/00126
2016/0296107 A1 * 10/2016 Kubo H04N 5/2256
2016/0317003 A1 * 11/2016 Ogata A61B 1/043

* cited by examiner

Primary Examiner — Derrick Holland
Assistant Examiner — Yolanda Robinson
(74) *Attorney, Agent, or Firm* — Patent Office of Dr.
Chung Park

(57) **CLAIM**

We claim the ornamental design for a light source apparatus for endoscope, as shown and described.

DESCRIPTION

FIG. 1 is perspective view of the top, front and left side of a light source apparatus for endoscope showing new design; FIG. 2 is a front elevational view thereof; FIG. 3 is a rear elevational view thereof; FIG. 4 is a right side elevational view thereof; FIG. 5 is a left side elevational view thereof; FIG. 6 is a top plan view thereof; and, FIG. 7 is a bottom plan view thereof. The broken lines shown represent unclaimed subject matter and form no part of the claimed design.

1 Claim, 5 Drawing Sheets

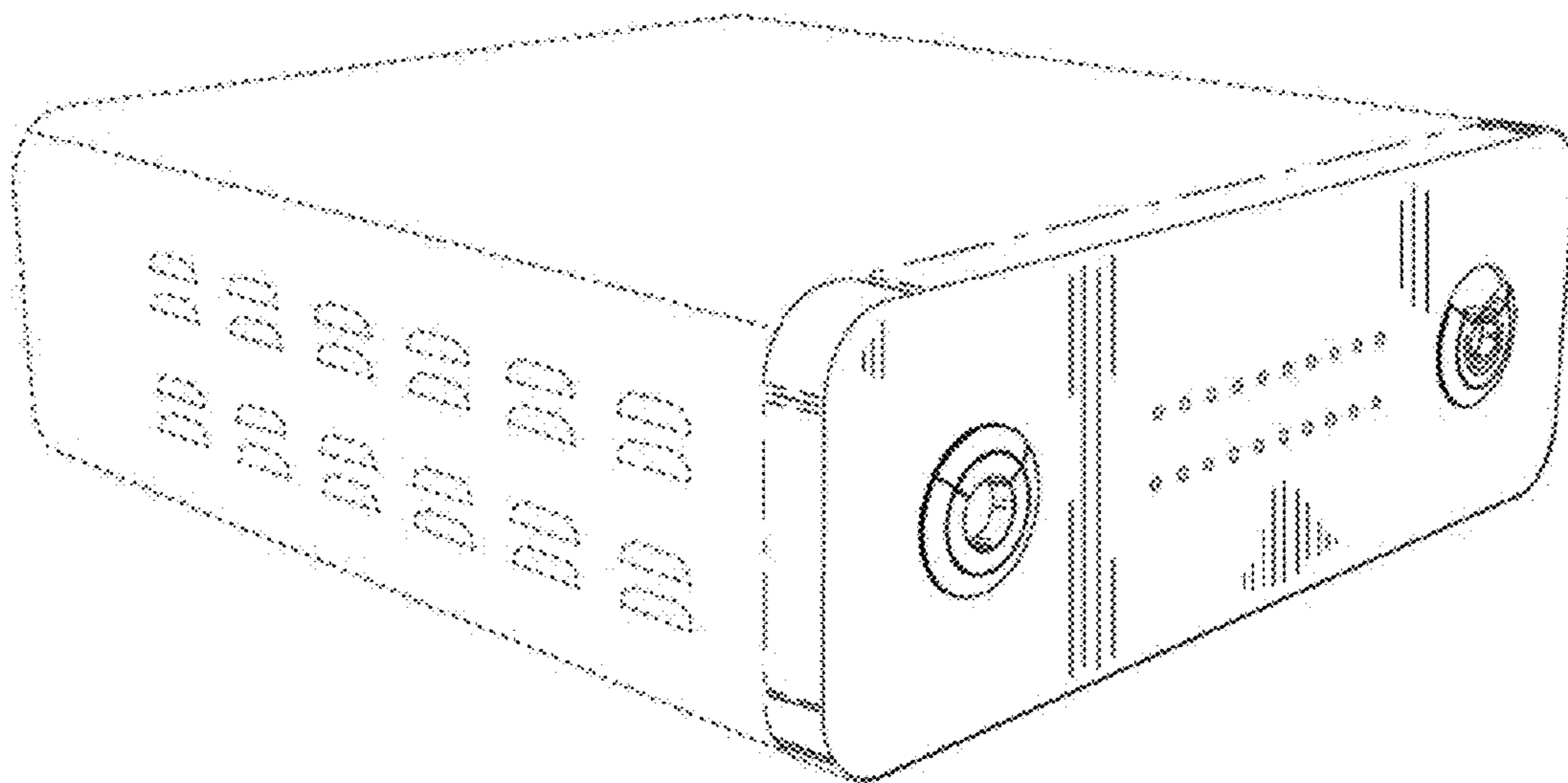


FIG. 1

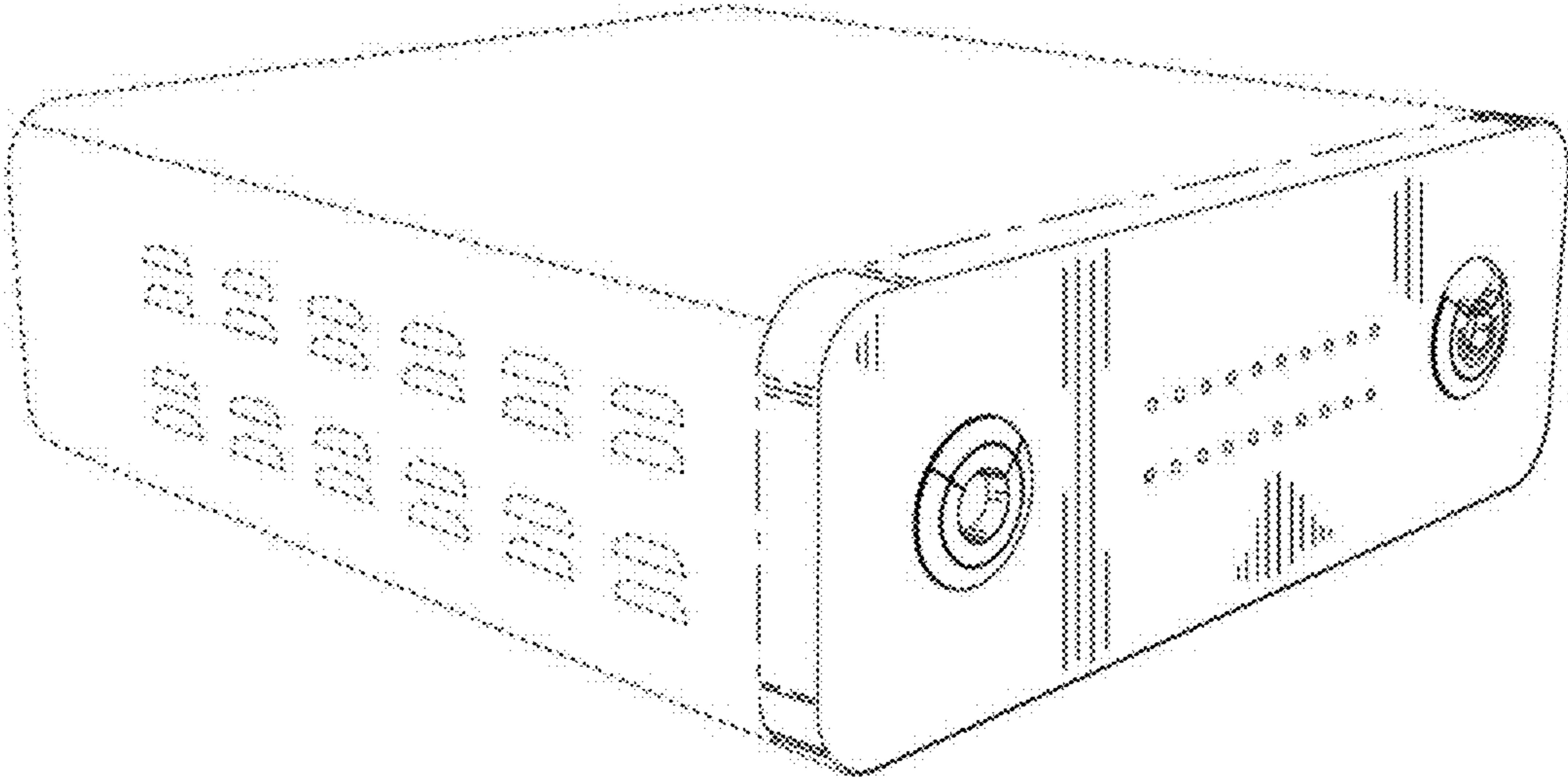


FIG. 2

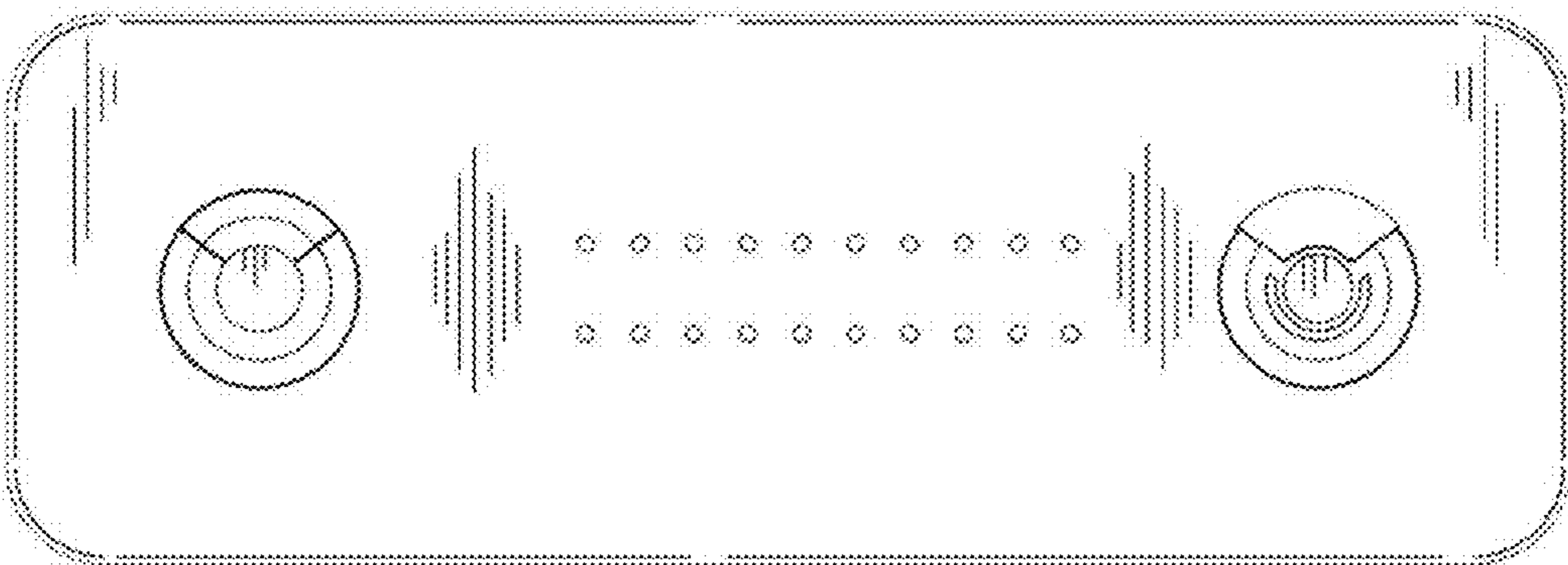


FIG. 3

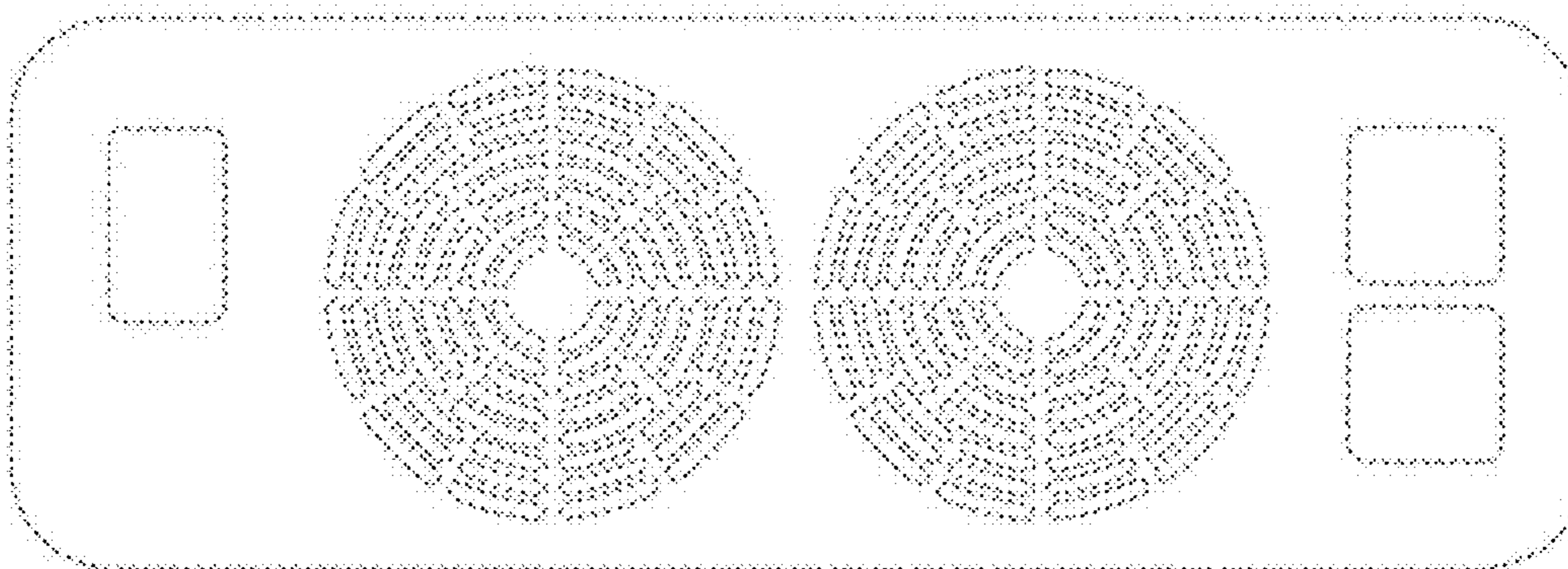


FIG. 4

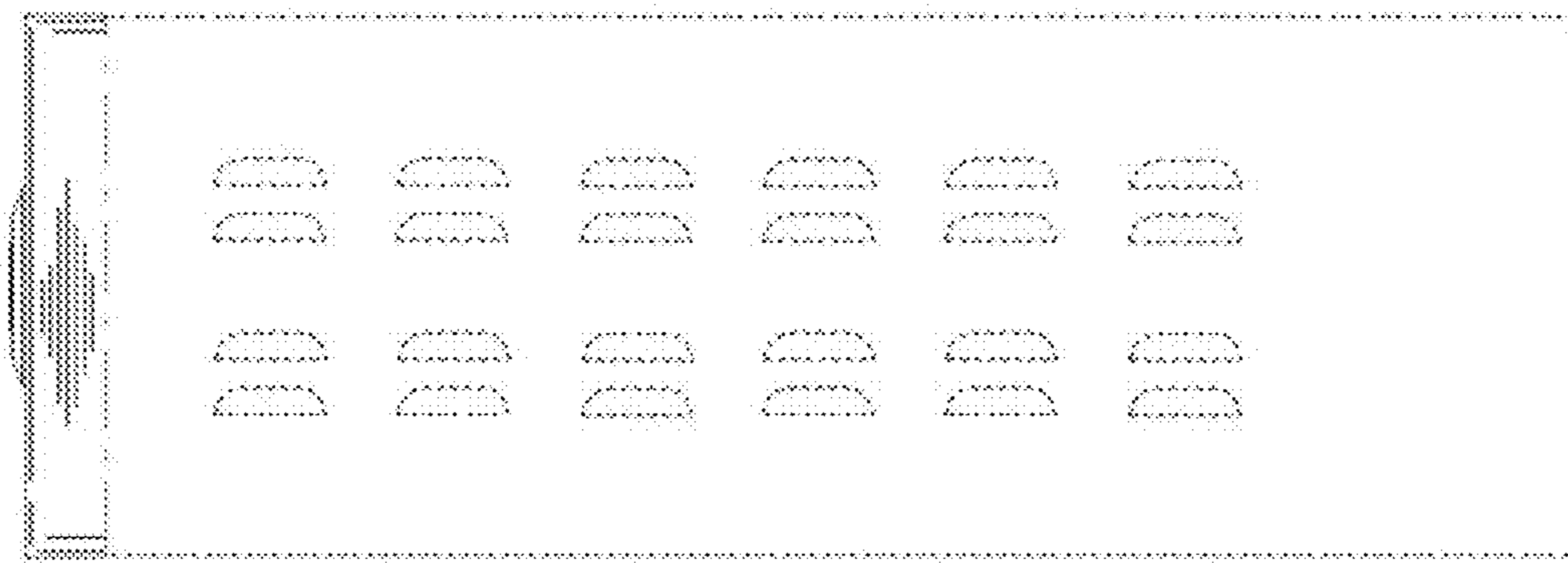


FIG. 5

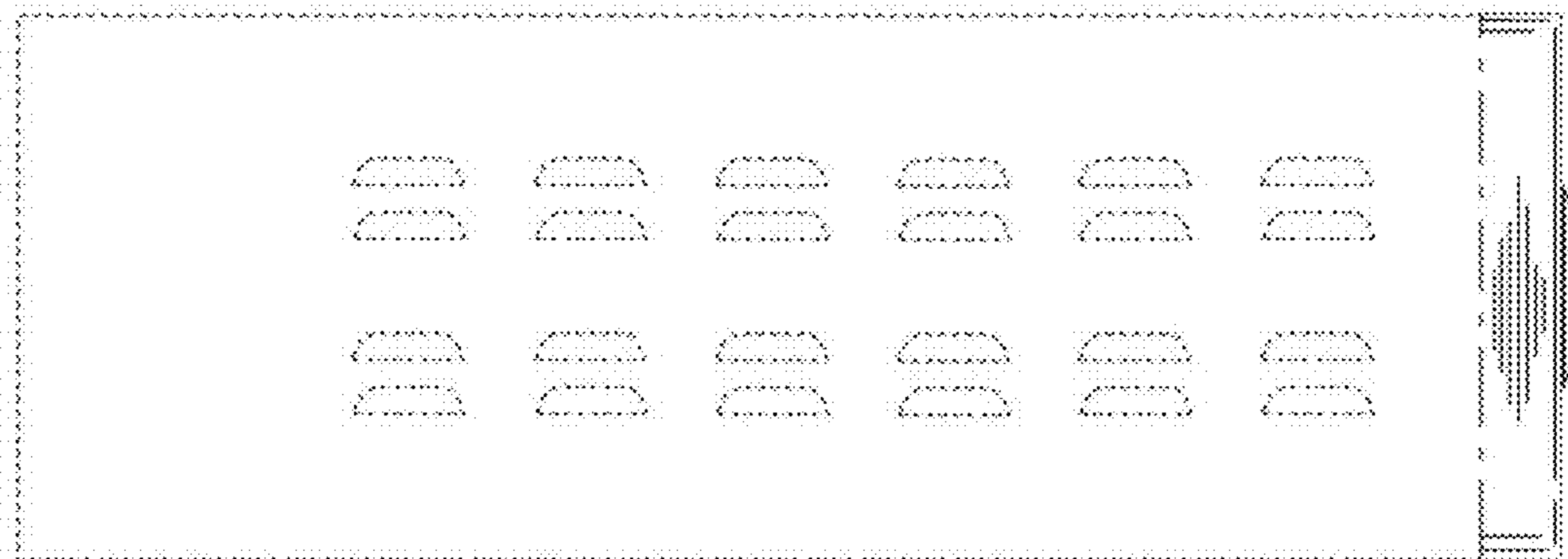


FIG. 6

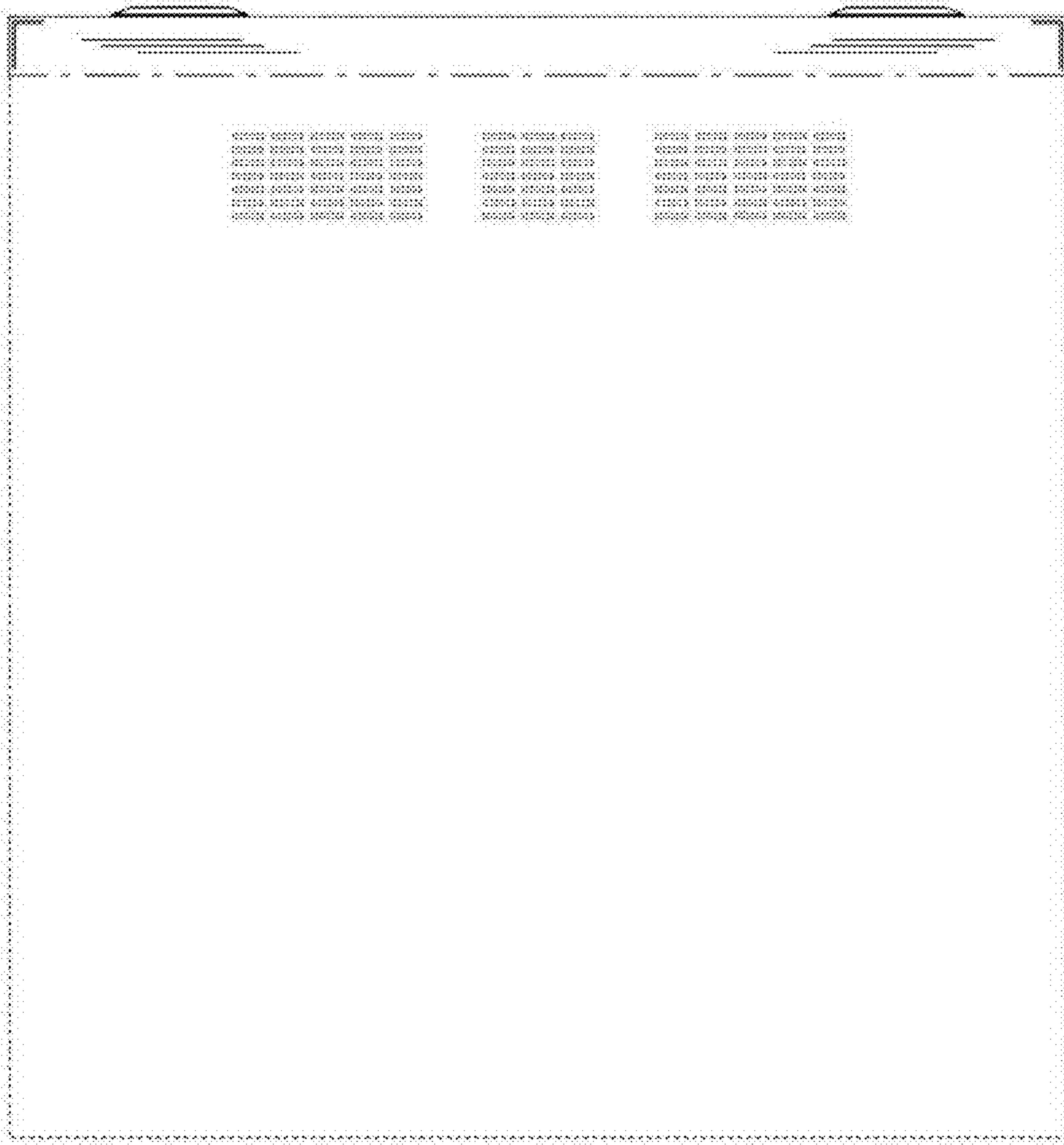


FIG. 7

