



US00D808013S

(12) **United States Design Patent**  
**Chheda et al.**

(10) **Patent No.:** **US D808,013 S**  
(45) **Date of Patent:** **\*\* Jan. 16, 2018**

- (54) **CATHETER**
- (71) Applicant: **Smiths Medical ASD, Inc.**, Plymouth, MN (US)
- (72) Inventors: **Harsh D. Chheda**, Cheshire, CT (US);  
**Kathryn Felicito**, Cheshire, CT (US);  
**Christopher Roehl**, New Hartford, CT (US)
- (73) Assignee: **Smiths Medical ASD, Inc.**, Plymouth, MN (US)
- (\*\*) Term: **15 Years**
- (21) Appl. No.: **29/582,452**
- (22) Filed: **Oct. 27, 2016**
- (51) **LOC (11) Cl.** ..... **24-02**
- (52) **U.S. Cl.**  
USPC ..... **D24/130**
- (58) **Field of Classification Search**  
USPC ..... D24/108, 112, 114, 127, 128, 129, 130,  
D24/133, 141, 146, 147, 152, 186, 214,  
D24/215; D8/93, 97, 300, 310, 311;  
D23/129, 223, 249, 259, 262  
CPC ..... A61B 1/00094; A61M 2005/1583; A61M  
2005/1586; A61M 2005/3277; A61M  
5/158; A61M 5/1582; A61M 5/3243;  
A61M 25/0606; A61M 25/0612; A61M  
25/0631; A61M 25/0637; A61F  
2002/9517  
See application file for complete search history.

(56) **References Cited**  
U.S. PATENT DOCUMENTS

D217,702 S *	5/1970	Volk	604/177
D257,885 S *	1/1981	Kulle	D24/112
D283,921 S *	5/1986	Dyak	D24/114
D289,687 S *	5/1987	Boyle	D24/112
D298,171 S *	10/1988	McFarlane	D24/112
4,842,591 A	6/1989	Luther	

4,863,432 A *	9/1989	Kvalo	A61M 25/02 604/164.04
5,000,740 A	3/1991	Ducharme	
5,053,014 A	10/1991	Van Heugten	
5,149,328 A *	9/1992	Zaha	A61M 25/0637 604/174
5,322,518 A	6/1994	Schneider	
5,330,439 A	7/1994	Jackson	
5,342,315 A	8/1994	Rowe	
5,498,247 A	3/1996	Brimhall	

(Continued)

FOREIGN PATENT DOCUMENTS

CN	202223231 U	5/2012
CN	102716541 A	10/2012

(Continued)

OTHER PUBLICATIONS

Search Report dated Jun. 8, 2016 for PCT Application No. PCT/US2016/015965, 11 pages.

*Primary Examiner* — Sheryl Lane  
*Assistant Examiner* — Calvin E Vansant  
(74) *Attorney, Agent, or Firm* — Patterson Thuent  
Pedersen, P.A.

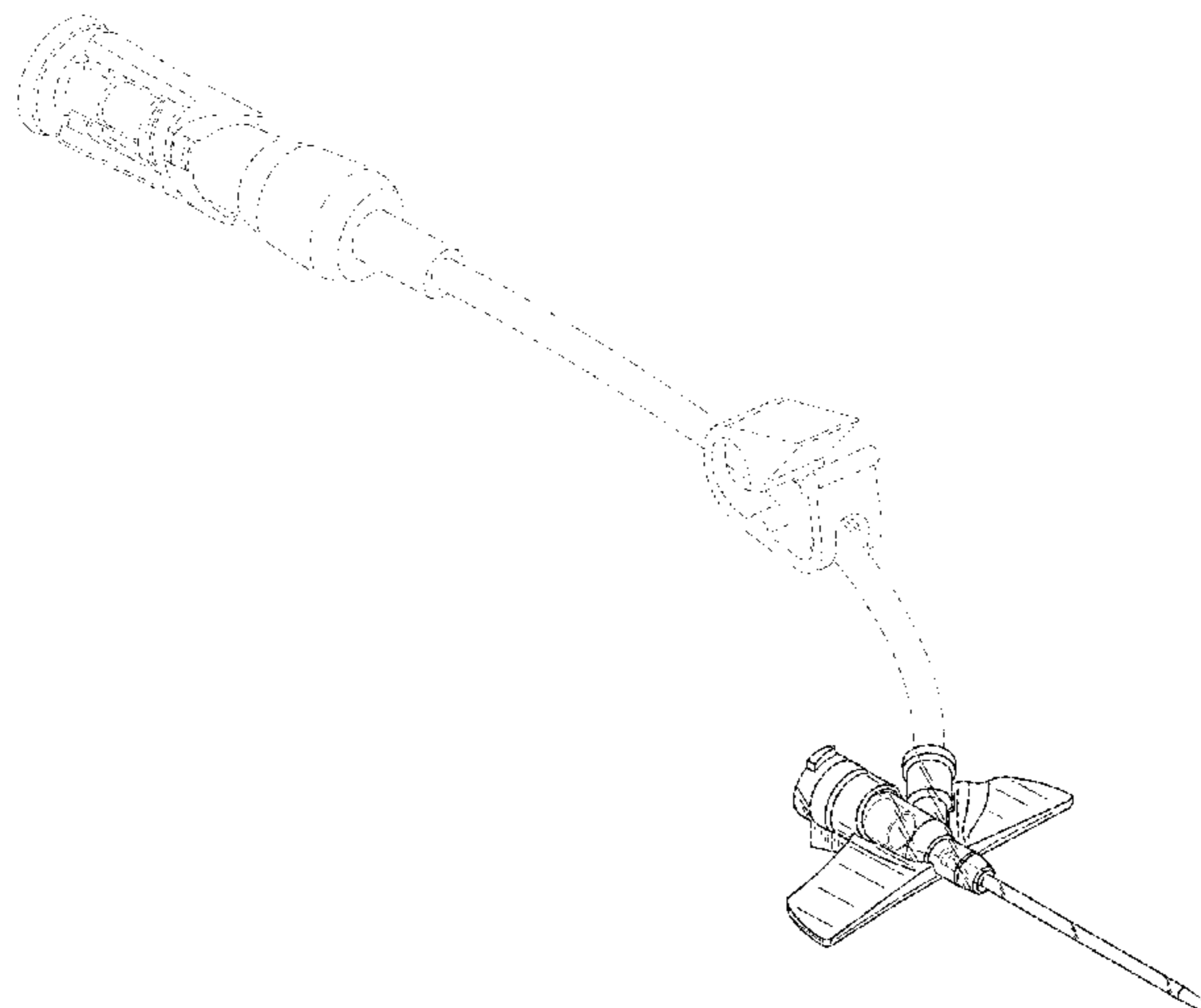
(57) **CLAIM**

We claim the ornamental design for a catheter, as shown and described.

**DESCRIPTION**

FIG. 1 is a top perspective view depicting a catheter.  
FIG. 2 is a top view thereof.  
FIG. 3 is a bottom view thereof.  
FIG. 4 is a right side view thereof.  
FIG. 5 is a left side view thereof.  
FIG. 6 is a rear view thereof; and,  
FIG. 7 is a front view thereof.  
The broken lines depict portions of the catheter that form no part of the claim.

**1 Claim, 3 Drawing Sheets**



(56)

References Cited

U.S. PATENT DOCUMENTS

5,512,052 A 4/1996 Jesch  
 5,531,699 A 7/1996 Tomba  
 5,676,346 A 10/1997 Leinsing  
 5,676,656 A 10/1997 Brimhall  
 5,685,866 A 11/1997 Lopez  
 5,697,914 A 12/1997 Brimhall  
 5,743,891 A 4/1998 Tolkoff  
 5,755,709 A 5/1998 Cuppy  
 D395,501 S \* 6/1998 Erskine ..... D24/112  
 5,772,636 A 6/1998 Brimhall  
 5,810,780 A 9/1998 Brimhall  
 5,817,069 A 10/1998 Arnett  
 5,858,002 A 1/1999 Jesch  
 5,873,862 A 2/1999 Lopez  
 5,879,334 A 3/1999 Brimhall  
 5,885,253 A 3/1999 Liu  
 D408,530 S \* 4/1999 Eliassen ..... D24/112  
 5,897,497 A 4/1999 Fernandez  
 5,928,204 A 7/1999 Lopez  
 5,935,110 A 8/1999 Brimhall  
 6,228,060 B1 5/2001 Howell  
 6,245,048 B1 6/2001 Fangrow, Jr.  
 D459,802 S \* 7/2002 Cindrich ..... D24/130  
 6,506,181 B2 1/2003 Meng  
 6,572,592 B1 6/2003 Lopez  
 6,669,673 B2 12/2003 Lopez  
 6,682,509 B2 1/2004 Lopez  
 6,719,726 B2 4/2004 Meng  
 6,719,727 B2 4/2004 Brimhall  
 6,979,323 B2 12/2005 Rogers  
 7,291,130 B2 11/2007 Mcgurk  
 7,390,317 B2 6/2008 Taylor  
 7,470,254 B2 12/2008 Basta  
 7,662,110 B2 2/2010 Flaherty  
 7,670,317 B2 3/2010 Cindrich  
 7,678,076 B2 \* 3/2010 Crawford ..... A61B 5/15003  
 600/576  
 7,691,088 B2 4/2010 Howell  
 7,691,093 B2 4/2010 Brimhall  
 7,713,248 B2 5/2010 Lopez  
 7,713,257 B2 5/2010 Brimhall  
 7,736,336 B2 6/2010 Plishka  
 7,736,342 B2 6/2010 Abriles  
 7,806,869 B2 10/2010 Nilsson  
 7,871,430 B2 1/2011 Pavcnik  
 D638,934 S \* 5/2011 Kimmel ..... D24/130  
 8,029,472 B2 10/2011 Leinsing  
 8,048,061 B2 11/2011 Kurth  
 8,057,443 B2 11/2011 Mcneil  
 8,062,261 B2 11/2011 Adams  
 8,066,669 B2 11/2011 Christensen  
 8,066,675 B2 11/2011 Cindrich  
 8,147,455 B2 4/2012 Butts  
 D660,420 S \* 5/2012 Shaw ..... D24/130  
 8,167,851 B2 5/2012 Sen  
 8,257,313 B2 9/2012 Mckinnon  
 8,257,322 B2 9/2012 Koehler  
 8,308,691 B2 11/2012 Woehr  
 8,328,769 B2 12/2012 Dikeman  
 8,337,461 B2 12/2012 Burkholz  
 8,357,119 B2 1/2013 Stout  
 8,357,121 B2 1/2013 Burkholz  
 8,361,020 B2 1/2013 Stout  
 8,366,684 B2 2/2013 Harding  
 8,382,718 B2 2/2013 Woehr  
 8,419,688 B2 4/2013 Woehr  
 8,460,247 B2 6/2013 Woehr  
 8,469,928 B2 6/2013 Stout  
 D686,316 S \* 7/2013 Baid ..... D24/112  
 8,540,728 B2 9/2013 Woehr  
 8,574,203 B2 11/2013 Stout  
 8,585,651 B2 11/2013 Asai  
 8,591,468 B2 11/2013 Woehr  
 8,591,476 B2 11/2013 Winsor

8,597,249 B2 12/2013 Woehr  
 8,641,675 B2 2/2014 Stout  
 8,641,676 B2 2/2014 Butts  
 8,647,294 B2 2/2014 Bonnette  
 8,679,063 B2 3/2014 Stout  
 8,690,833 B2 4/2014 Belson  
 8,740,850 B2 6/2014 Leinsing  
 D715,423 S \* 10/2014 Rogers ..... D24/112  
 8,932,259 B2 1/2015 Stout  
 D732,160 S \* 6/2015 Du ..... D24/112  
 D787,665 S \* 5/2017 Wu ..... D24/130  
 2003/0171721 A1 9/2003 Enomoto  
 2004/0193118 A1 9/2004 Bergeron  
 2006/0149189 A1 7/2006 Diamond et al.  
 2007/0060905 A1 \* 3/2007 Howell ..... A61M 25/0637  
 604/500  
 2007/0191771 A1 8/2007 Moyer  
 2007/0196414 A1 8/2007 Hammarsten  
 2007/0250037 A1 10/2007 Brimhall et al.  
 2008/0264979 A1 10/2008 Nijland  
 2008/0319387 A1 12/2008 Amisar  
 2010/0076384 A1 3/2010 Trask  
 2010/0280463 A1 11/2010 Murayama  
 2011/0160671 A1 \* 6/2011 Tanabe ..... A61M 5/158  
 604/162  
 2011/0301553 A1 \* 12/2011 Goral ..... A01N 25/04  
 604/265  
 2012/0004622 A1 1/2012 Leeflang  
 2012/0016266 A1 1/2012 Burkholz  
 2012/0277630 A1 11/2012 Devgon  
 2012/0323181 A1 12/2012 Shaw  
 2013/0090607 A1 4/2013 McKinnon  
 2013/0090608 A1 4/2013 Stout  
 2013/0090609 A1 4/2013 Sonderegger  
 2013/0096428 A1 4/2013 Gillies  
 2013/0218082 A1 8/2013 Hyer  
 2013/0237925 A1 9/2013 Trainer  
 2013/0274683 A1 10/2013 Stout  
 2014/0046258 A1 2/2014 Stout  
 2014/0052065 A1 2/2014 Woehr  
 2014/0074034 A1 3/2014 Tanabe  
 2014/0107619 A1 4/2014 Butts  
 2014/0128820 A1 5/2014 Braga et al.  
 2014/0221932 A1 8/2014 Puhasmagi  
 2014/0288500 A1 9/2014 Leinsing  
 2015/0306349 A1 10/2015 Bonnal  
 2016/0220161 A1 8/2016 Goral et al.  
 2016/0220762 A1 8/2016 Goral et al.  
 2016/0220791 A1 8/2016 Akcay  
 2016/0220805 A1 8/2016 Goral et al.

FOREIGN PATENT DOCUMENTS

CN 202538063 U 11/2012  
 CN 202637609 U 1/2013  
 CN 202682524 U 1/2013  
 CN 203090190 U 7/2013  
 EP 1107808 A1 6/2001  
 EP 0868203 B1 9/2003  
 EP 2044970 A1 4/2009  
 EP 1864688 B1 9/2009  
 EP 1958883 B1 1/2010  
 GB 2508466 B 10/2014  
 IT RC20050001 A1 8/2006  
 SE 1250635 A1 12/2013  
 WO WO 9832484 A1 7/1997  
 WO WO 9813083 A1 4/1998  
 WO WO 9844983 A1 10/1998  
 WO WO 00/12160 3/2000  
 WO WO 0056388 A2 9/2000  
 WO WO 02/051494 A1 7/2002  
 WO WO 2006/082607 A1 8/2006  
 WO WO 2008102382 A1 8/2008  
 WO WO 2012/036916 A1 3/2012  
 WO WO 2014119988 A1 8/2014

\* cited by examiner

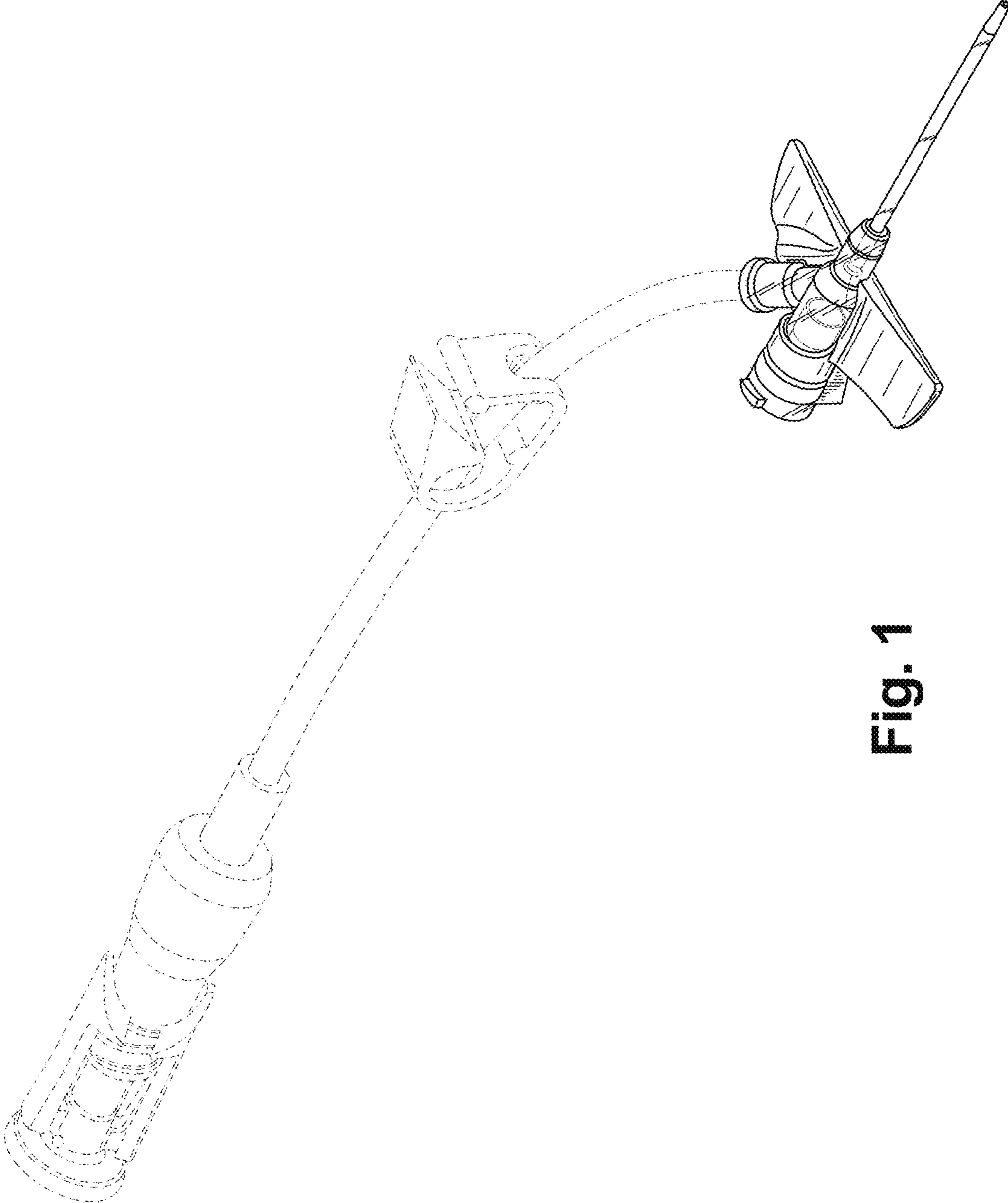


Fig. 1

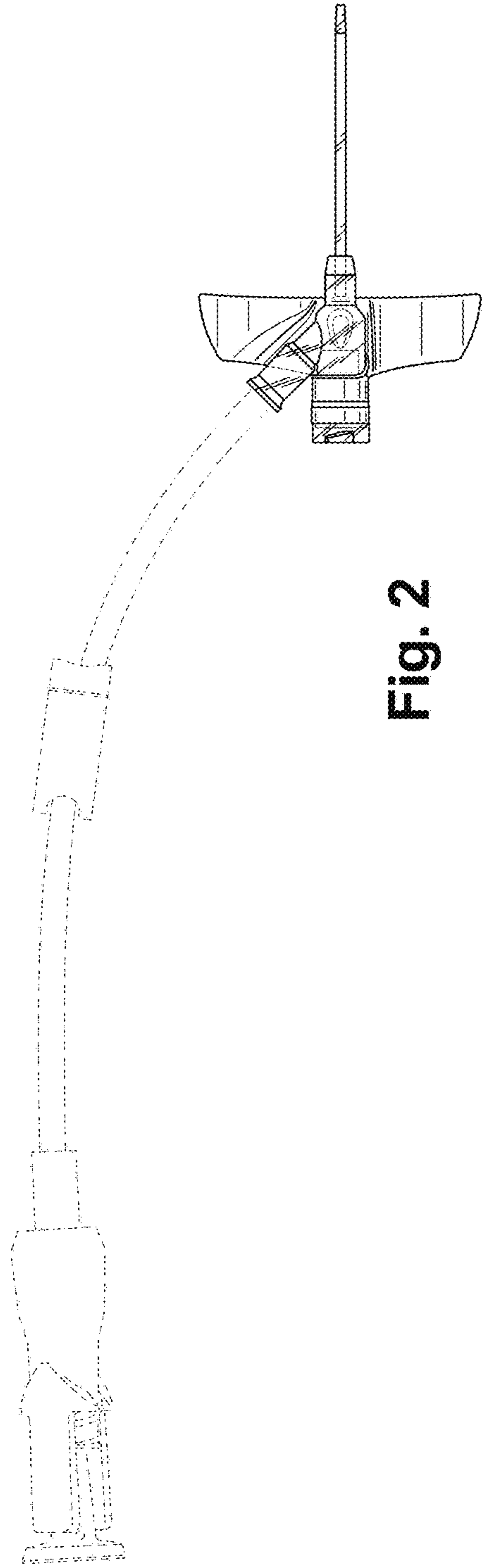


Fig. 2

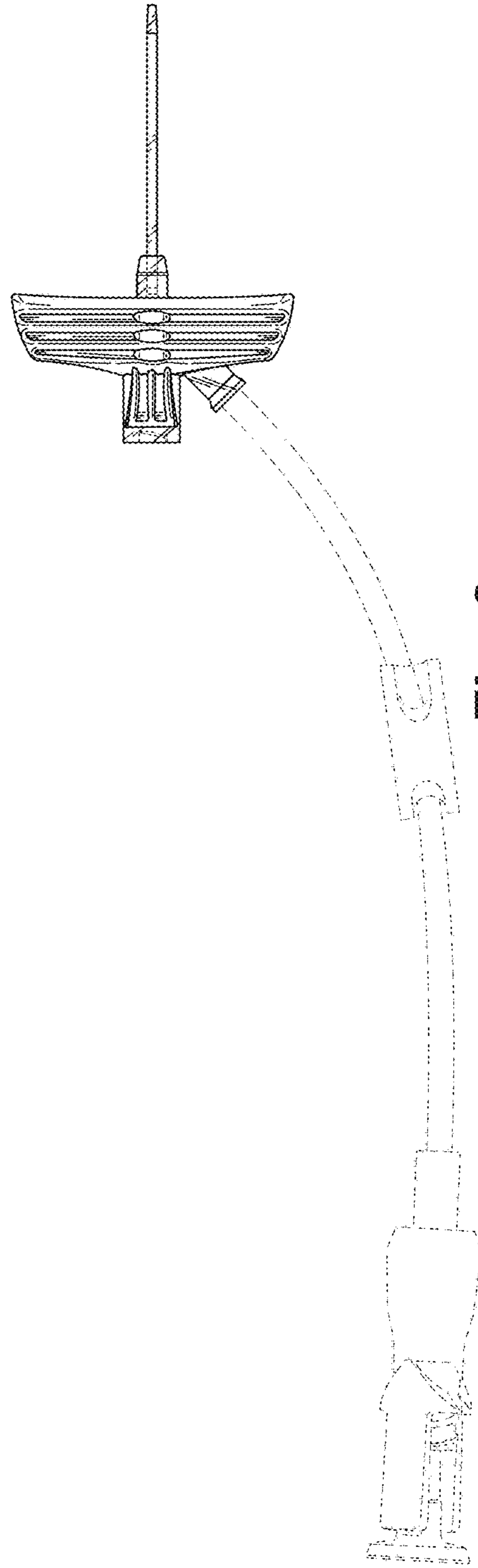


Fig. 3

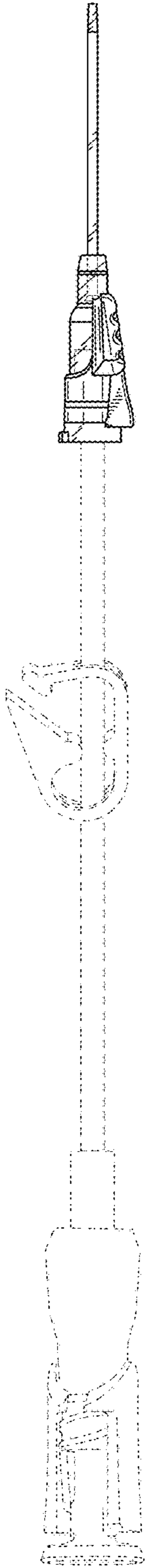


Fig. 4

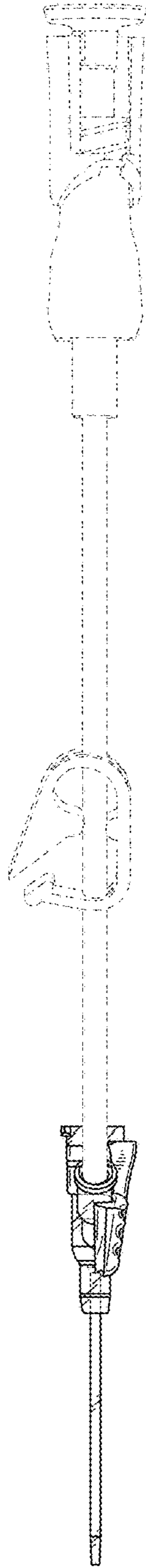


Fig. 5

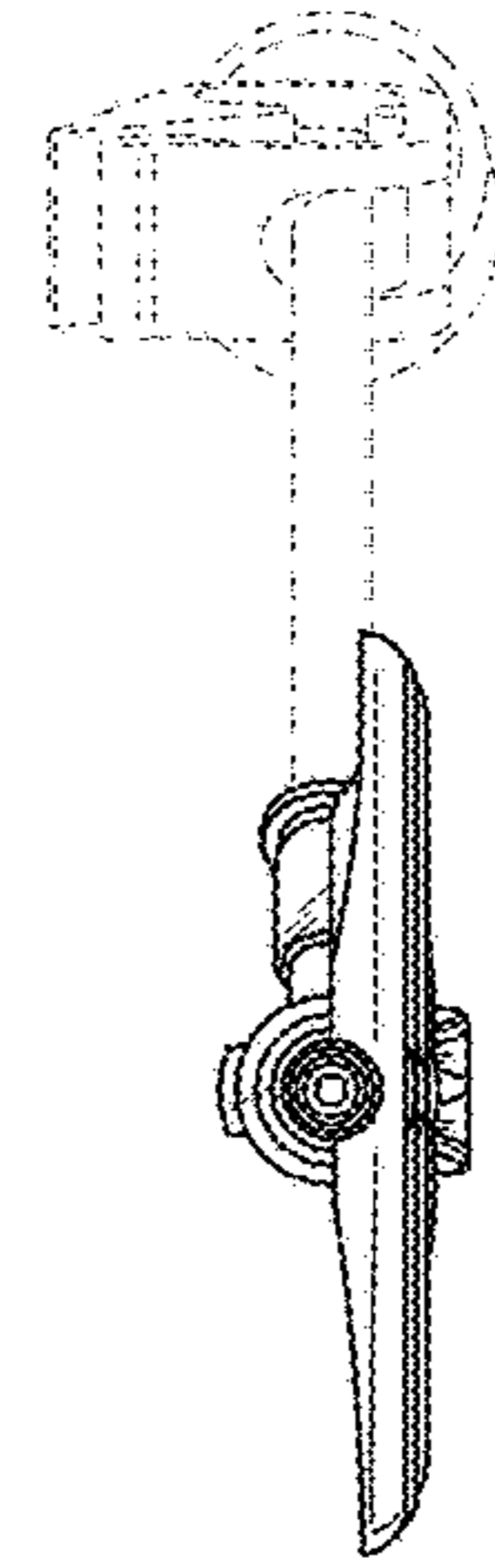


Fig. 6

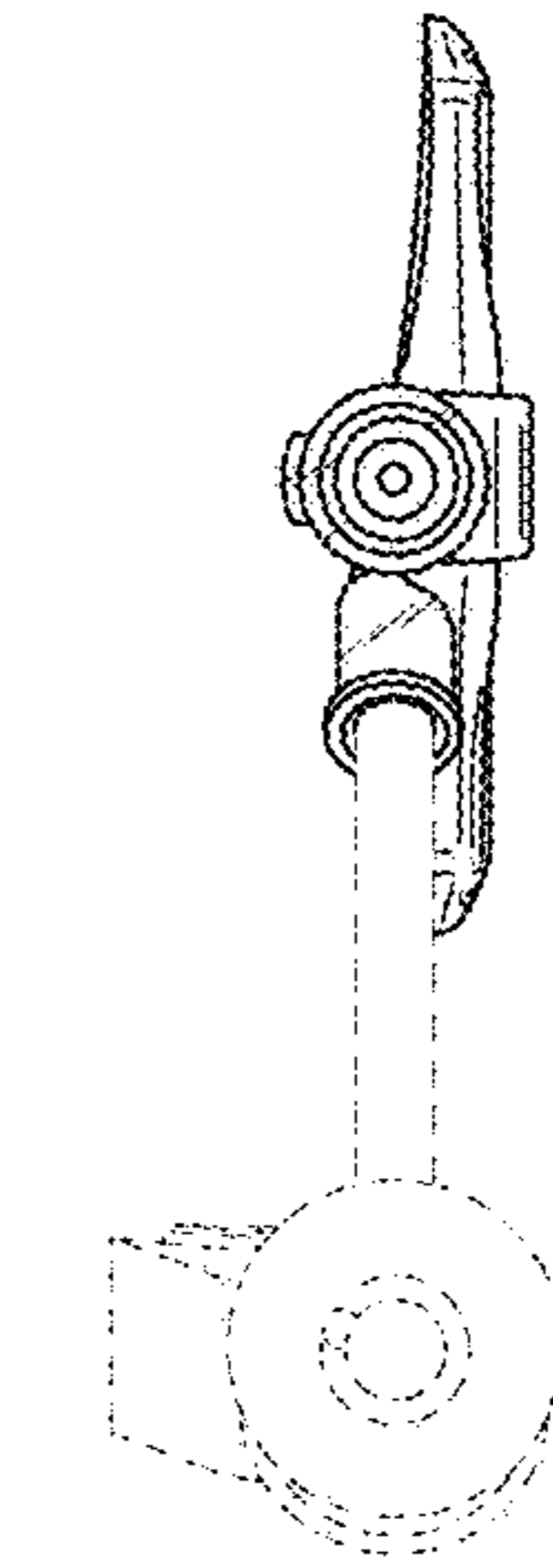


Fig. 7