



US00D808012S

(12) **United States Design Patent** (10) **Patent No.:** **US D808,012 S**  
**Eaton et al.** (45) **Date of Patent:** **\*\* Jan. 16, 2018**

(54) **CONTAINER HOLDER FOR LIQUID DISPENSING**

(71) Applicant: **EYE DROP IMAGING TECHNOLOGY, LLC**, Fort Myers, FL (US)

(72) Inventors: **Alexander M. Eaton**, Fort Myers, FL (US); **Ruixue Liu**, Fort Myers, FL (US); **Guangjun Gao**, Fort Myers, FL (US)

(73) Assignee: **EYE DROP IMAGING TECHNOLOGY, LLC**, Fort Myers, FL (US)

(\*\*) Term: **15 Years**

(21) Appl. No.: **29/582,873**

(22) Filed: **Oct. 31, 2016**

(51) **LOC (11) Cl.** ..... **24-02**

(52) **U.S. Cl.**  
USPC ..... **D24/128**

(58) **Field of Classification Search**  
USPC ..... D24/128-130, 172; D13/133, 153, 154, D13/156; D8/349, 354, 363  
CPC ..... F16L 23/10; A61M 25/02; A61M 2025/0098; A61F 9/0008; A61F 9/0026; E04F 11/1804; E04F 11/1808  
See application file for complete search history.

(56) **References Cited**

**U.S. PATENT DOCUMENTS**

3,934,590 A \* 1/1976 Campagna ..... A61F 9/0026  
604/302  
4,134,403 A \* 1/1979 Johnsen ..... A61F 9/0026  
222/192

D299,804 S \* 2/1989 Normandin ..... D7/620  
D324,799 S \* 3/1992 Shoemaker ..... D7/701  
D463,550 S \* 9/2002 Sherman ..... D24/115  
D483,873 S \* 12/2003 Schwartz ..... D24/172  
D592,304 S \* 5/2009 Kuehfuss ..... D24/128  
D750,773 S 3/2016 Eaton et al.  
D751,702 S 3/2016 Eaton et al.  
2007/0112315 A1\* 5/2007 Wang ..... A61M 5/158  
604/257

**FOREIGN PATENT DOCUMENTS**

WO 2014081570 A1 5/2014

\* cited by examiner

*Primary Examiner* — Sheryl Lane

*Assistant Examiner* — Calvin E Vansant

(74) *Attorney, Agent, or Firm* — Yakov S. Sidorin;  
Quarles & Brady LLP

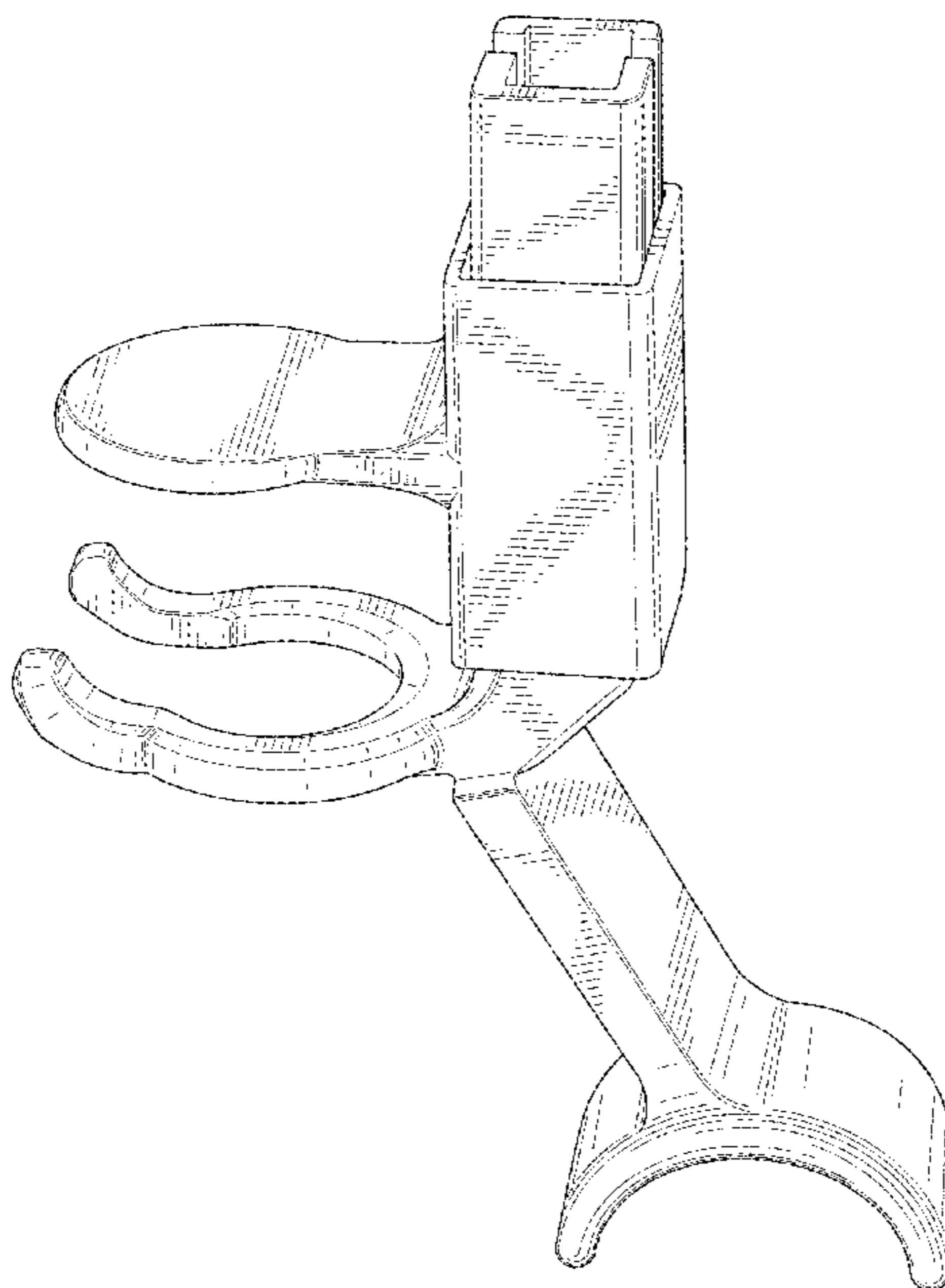
(57) **CLAIM**

The ornamental design for a container holder for liquid dispensing, as shown and described.

**DESCRIPTION**

FIG. 1 is a perspective view of the design; FIG. 2 is a first elevation view thereof; FIG. 3 is a second elevation view thereof; FIG. 4 is a third elevational view thereof; FIG. 5 is a fourth elevational view thereof; FIG. 6 is a top plan view thereof; and, FIG. 7 is a bottom plan view thereof. The broken lines depict portions of the container holder for liquid dispensing that form no part of the claimed design.

**1 Claim, 7 Drawing Sheets**



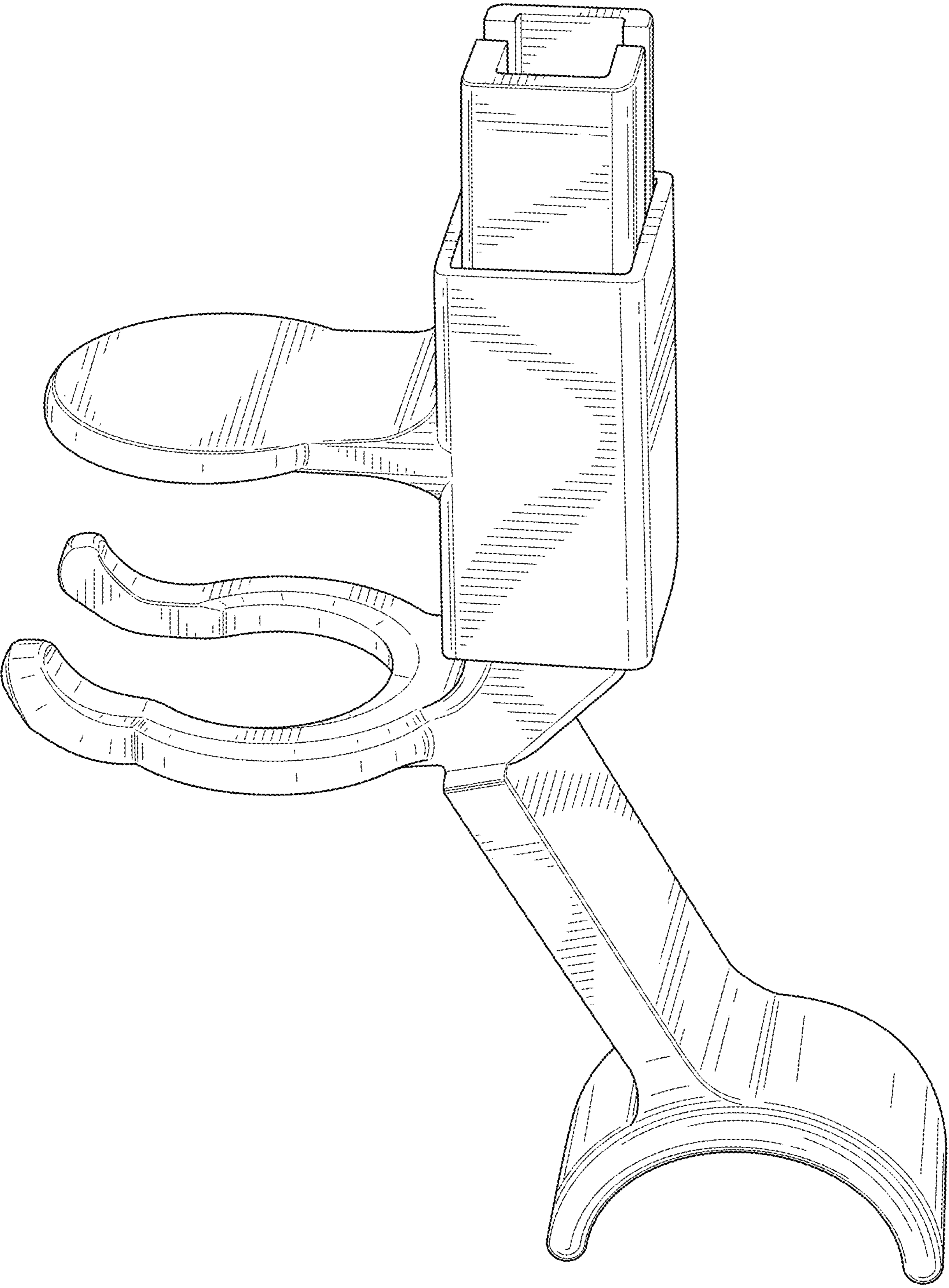


FIG. 1

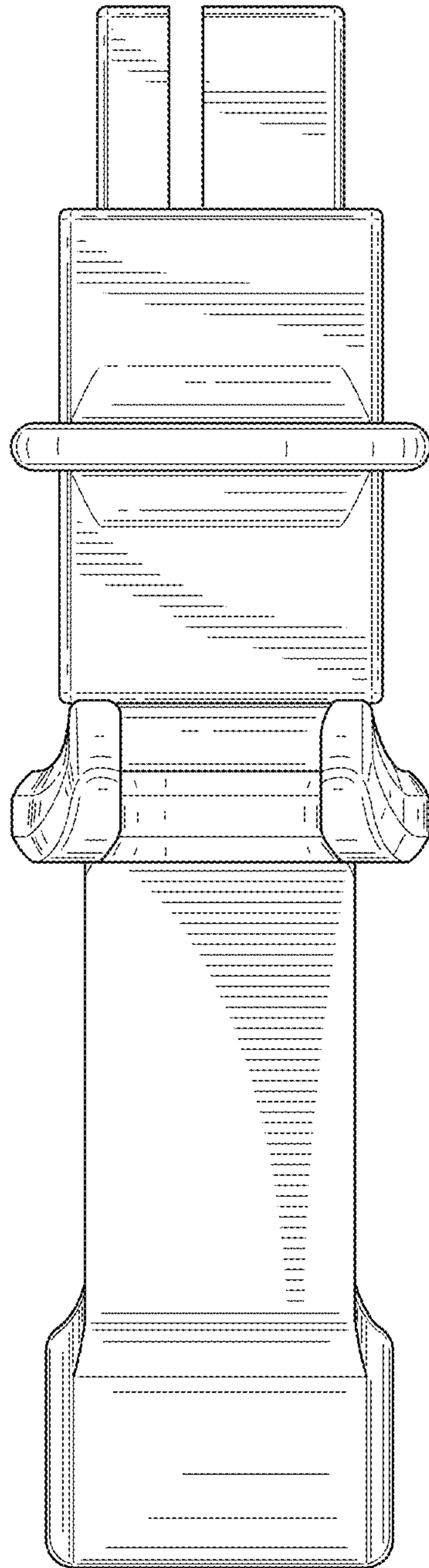


FIG. 2

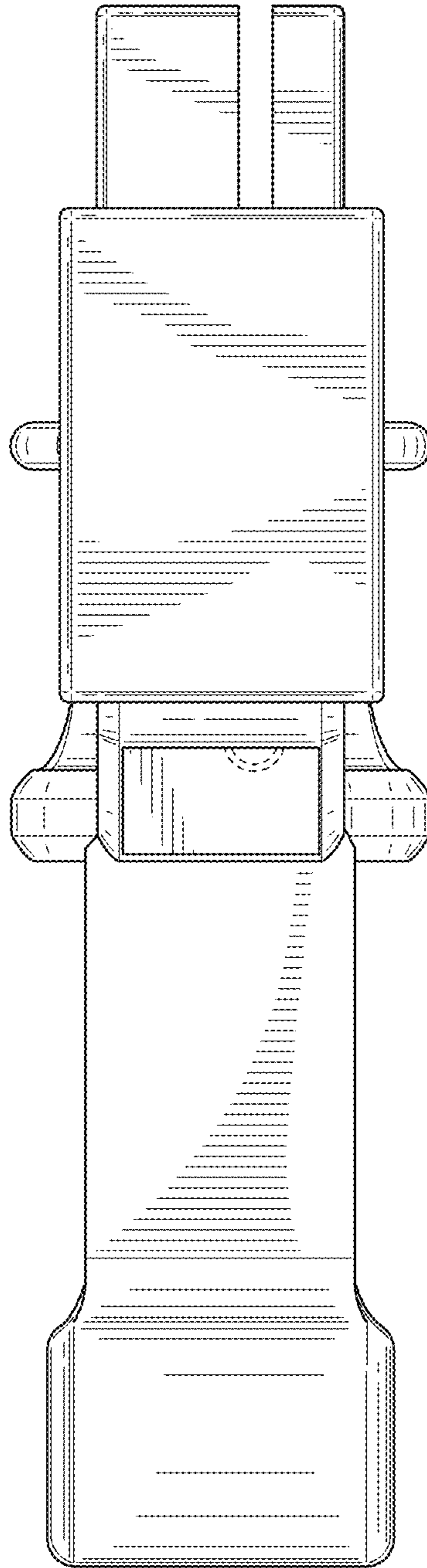


FIG. 3

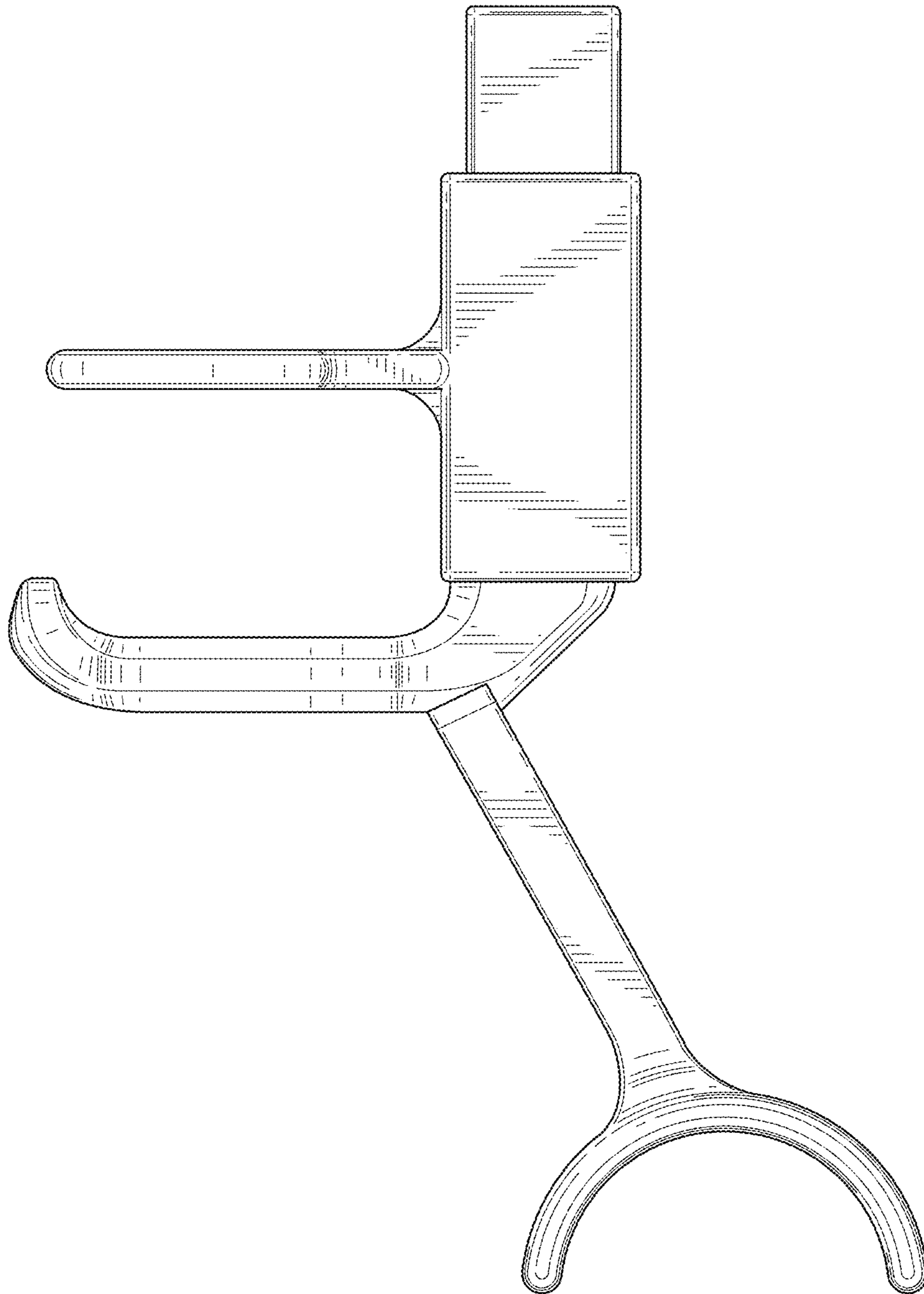


FIG. 4

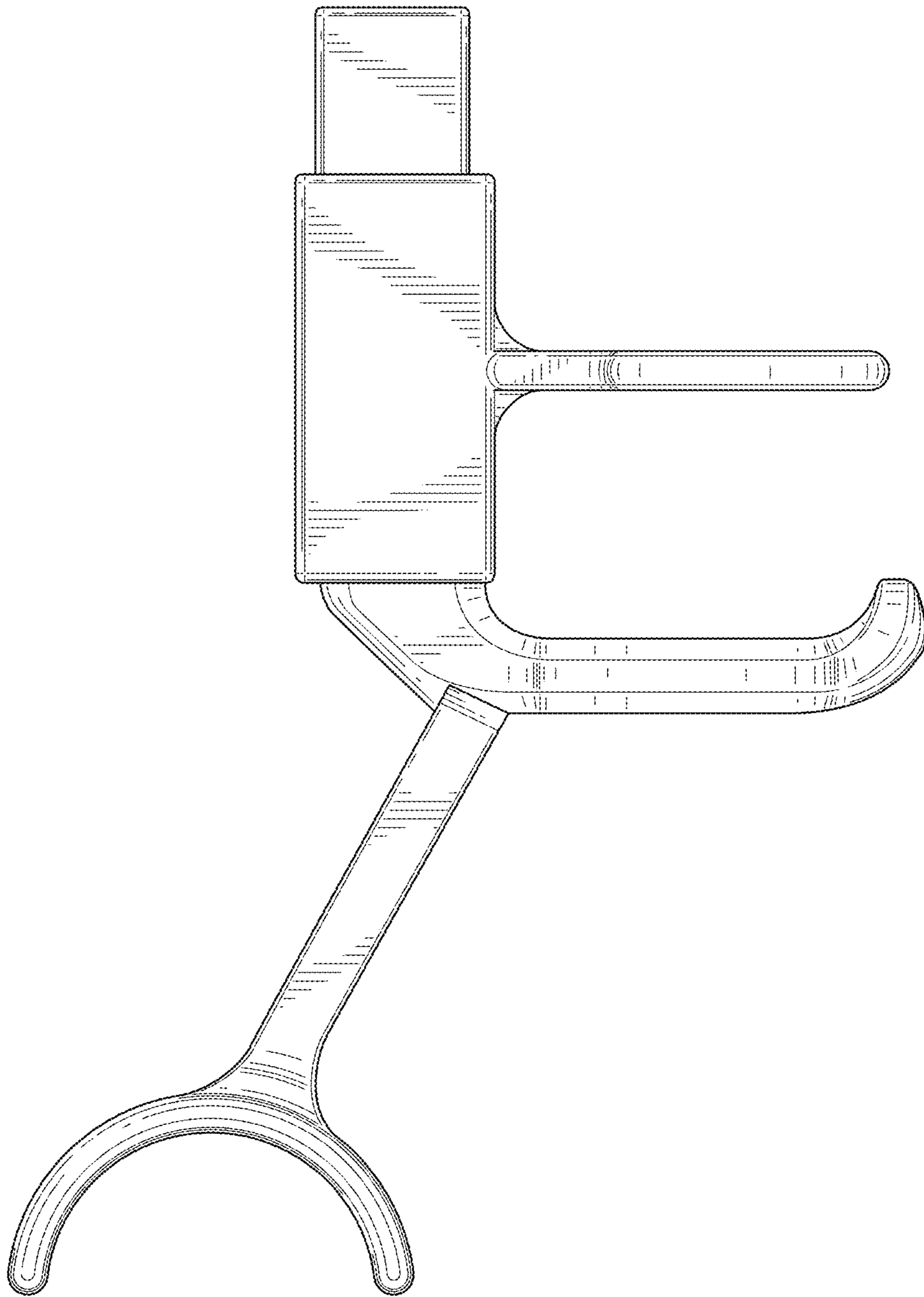
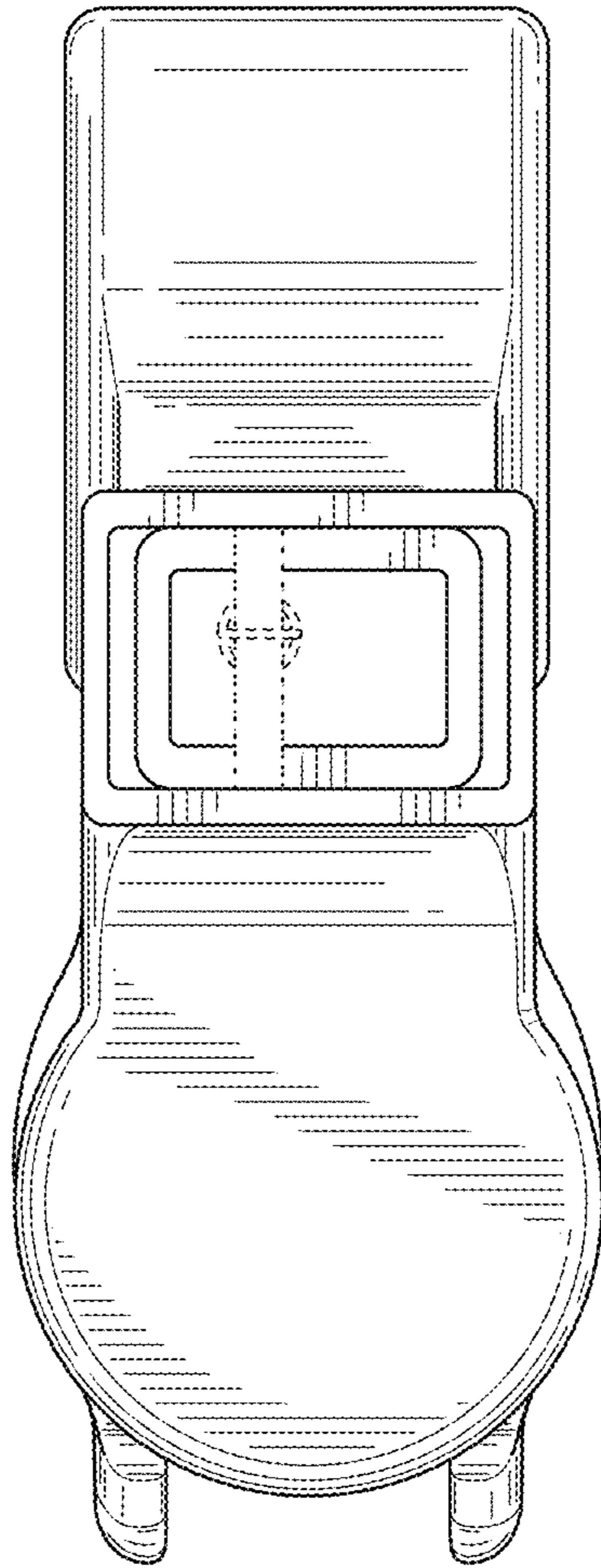
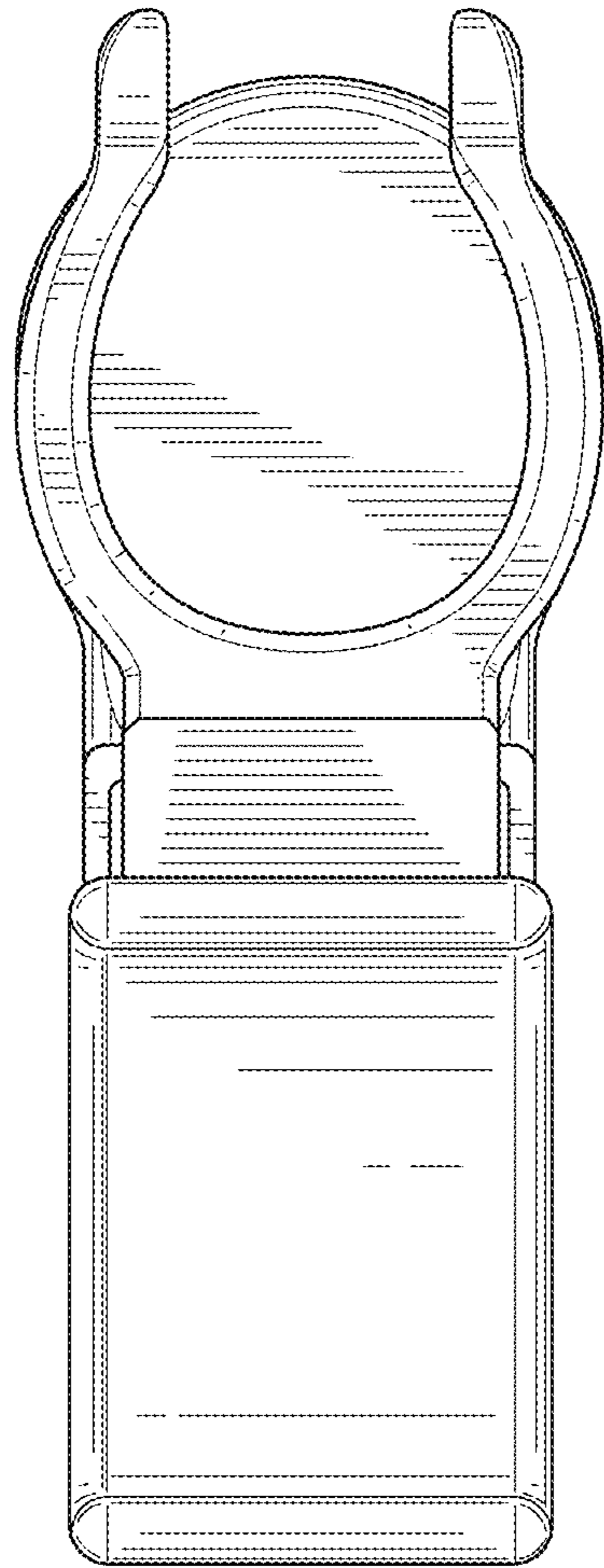


FIG. 5



**FIG. 6**



**FIG. 7**