



US00D808010S

(12) **United States Design Patent**  
**Denzer et al.**

(10) **Patent No.:** **US D808,010 S**  
(45) **Date of Patent:** **\*\* Jan. 16, 2018**

(54) **INJECTION DEVICE**

(71) Applicant: **Amgen Inc.**, Thousand Oaks, CA (US)

(72) Inventors: **Michael Denzer**, Ringoes, NJ (US);  
**Robert W. Swift**, Fillmore, CA (US);  
**Neal D. Johnston**, Irving, TX (US);  
**Gabriele Ganzitti**, Milan (IT);  
**Kenneth R. Ewing**, Fremont, CA (US);  
**Suhas Krishna**, Simi Valley, CA (US)

(73) Assignee: **AMGEN INC.**, Thousand Oaks, CA (US)

(\*\*) Term: **15 Years**

(21) Appl. No.: **29/548,507**

(22) Filed: **Dec. 14, 2015**

**Related U.S. Application Data**

(63) Continuation-in-part of application No. 14/112,479, filed as application No. PCT/US2012/034535 on Apr. 20, 2012.

(51) **LOC (11) Cl.** ..... **24-02**

(52) **U.S. Cl.**  
USPC ..... **D24/113**

(58) **Field of Classification Search**  
USPC ..... D24/127–131, 112–114, 133, 186;  
606/181, 185; 604/264, 272, 115, 232,  
(Continued)

(56) **References Cited**

**U.S. PATENT DOCUMENTS**

5,393,497 A \* 2/1995 Haber ..... A61J 1/2089  
137/68.11  
5,921,966 A \* 7/1999 Bendek ..... A61M 5/24  
604/207

(Continued)

*Primary Examiner* — Eric L Goodman

*Assistant Examiner* — Nathan M Johnston

(74) *Attorney, Agent, or Firm* — Marshall, Gerstein & Borun LLP

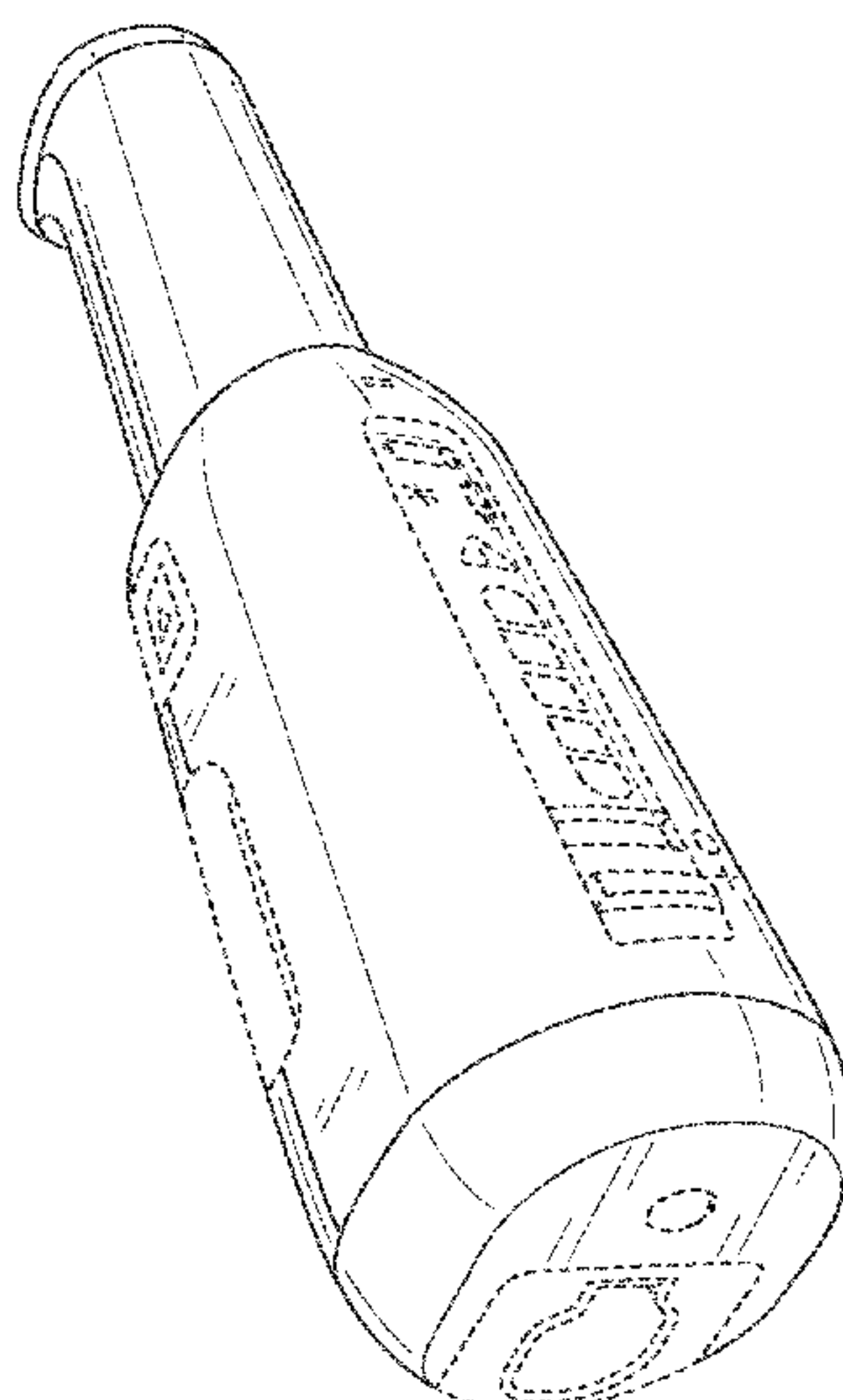
(57) **CLAIM**

The ornamental design for an injection device, as shown and described.

**DESCRIPTION**

FIG. 1 is a perspective view of a first embodiment of an injection device showing the new design; FIG. 2 is a front elevation view thereof; FIG. 3 is a rear elevation view thereof; FIG. 4 is a side elevation view thereof; FIG. 5 is an opposite side elevation view thereof; FIG. 6 is a top view thereof; FIG. 7 is a bottom view thereof; FIG. 8 is a reference view thereof showing insertion or removal of a pharmaceutical product cassette; FIG. 9 is an environmental view thereof showing insertion or removal of a pharmaceutical product cassette; and FIG. 10 is an environment view thereof showing the pharmaceutical product cassette inserted in the injection device. FIG. 11 is a front elevation view thereof; FIG. 12 is a rear elevation view thereof; FIG. 13 is a side elevation view thereof; FIG. 14 is an opposite side elevation view thereof; FIG. 15 is a top view thereof; FIG. 16 is a bottom view thereof; FIG. 17 is an environmental view thereof showing insertion or removal of a pharmaceutical product cassette; and, FIG. 18 is an environment view thereof showing the pharmaceutical product cassette inserted in the injection device. The dashed lines immediately adjacent to the shaded areas in the figures represent the boundaries of the claimed design. The dashed lines in the figures illustrate the portions of the design that form no part of the claimed design. None of the broken lines form any part of the claimed design.

**1 Claim, 16 Drawing Sheets**



(58) **Field of Classification Search**

USPC .. 604/187, 158, 164.08, 192, 263, 163, 181,  
604/184, 198, 227; 600/101, 139, 143;  
128/200.24, 207.14, 207.15;  
D19/115-123, 177, 193

CPC ..... A61M 5/2033; A61M 2005/206; A61M  
5/326; A61M 5/3202; A61M 2005/208

See application file for complete search history.

(56) **References Cited**

U.S. PATENT DOCUMENTS

D483,116 S \* 12/2003 Castellano ..... D24/112  
D628,690 S \* 12/2010 Galbraith ..... D24/114  
D650,070 S \* 12/2011 Mori ..... D24/113  
D694,879 S \* 12/2013 Julian ..... D24/113  
D748,783 S \* 2/2016 Zhang ..... D24/133  
D757,254 S \* 5/2016 Wohlfahrt ..... D24/113  
2011/0202011 A1\* 8/2011 Wozencroft ..... A61M 5/2033  
604/192  
2013/0274668 A1\* 10/2013 Barrow-Williams A61M 5/2033  
604/136  
2013/0317480 A1\* 11/2013 Reber ..... A61M 5/2033  
604/506  
2015/0217057 A1\* 8/2015 Hogdahl ..... A61M 5/2033  
604/117  
2017/0043105 A1\* 2/2017 Elmen ..... A61M 5/3204

\* cited by examiner

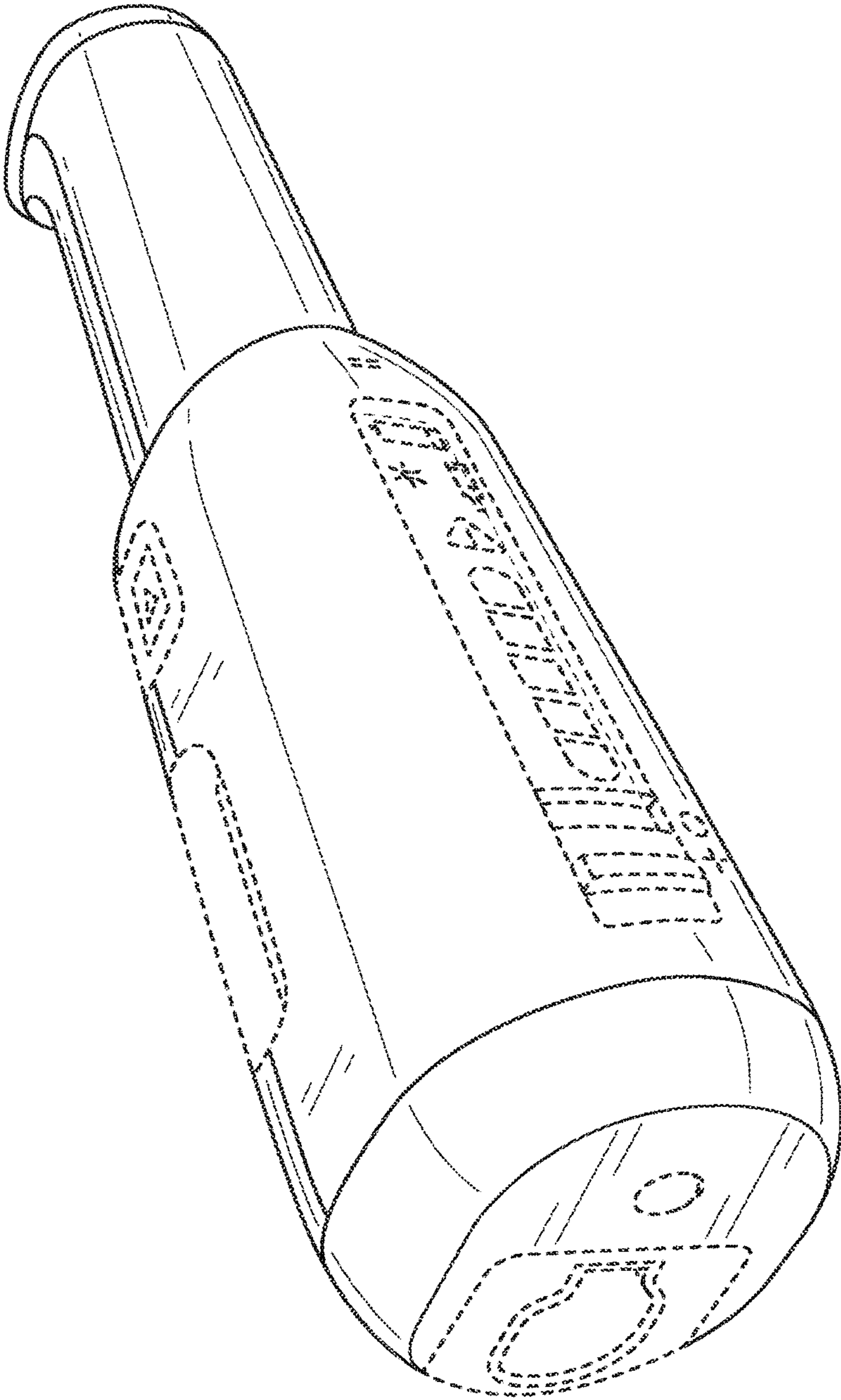


FIG. 1

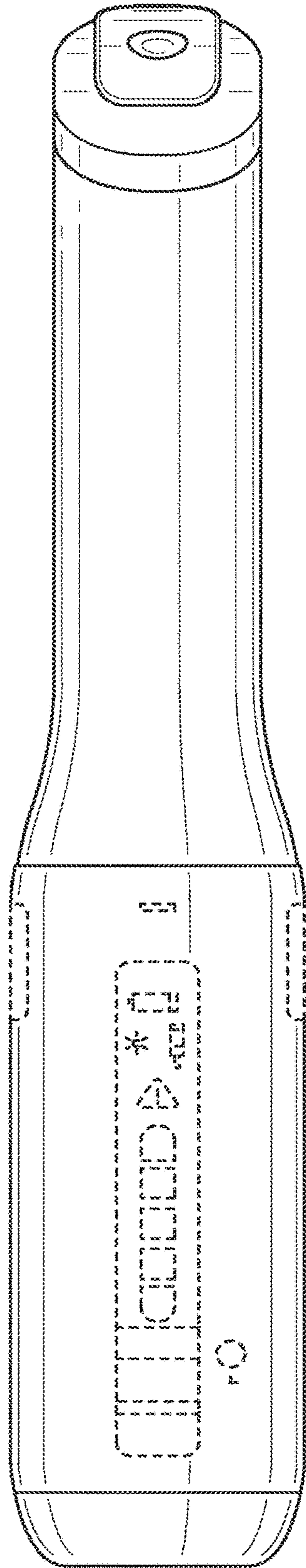


FIG. 2



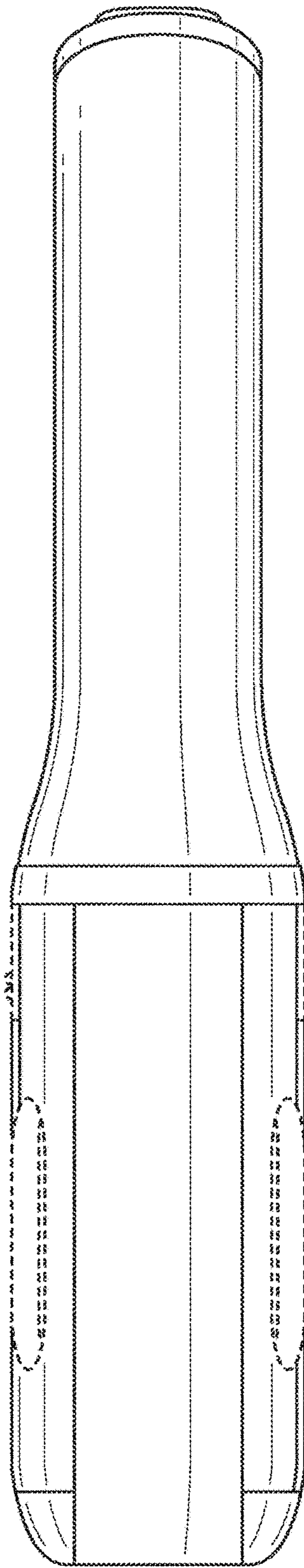


FIG. 3

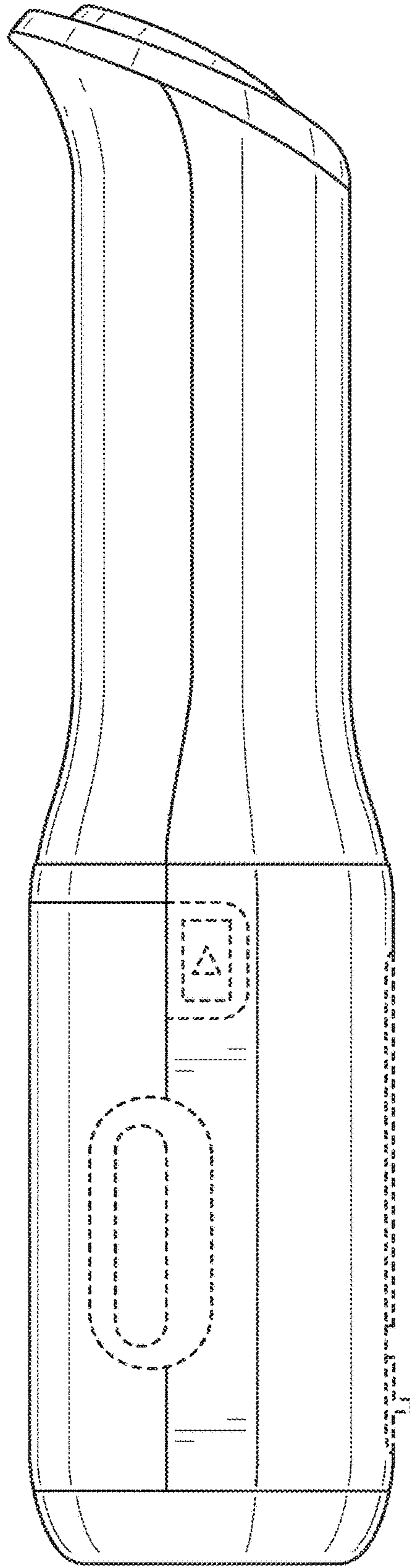


FIG. 4

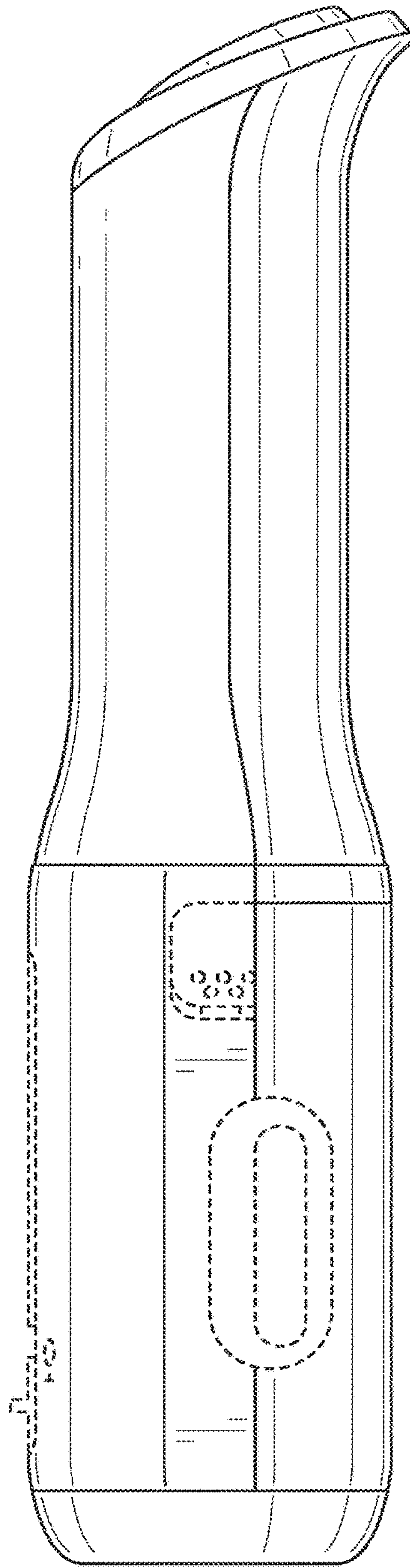


FIG. 5

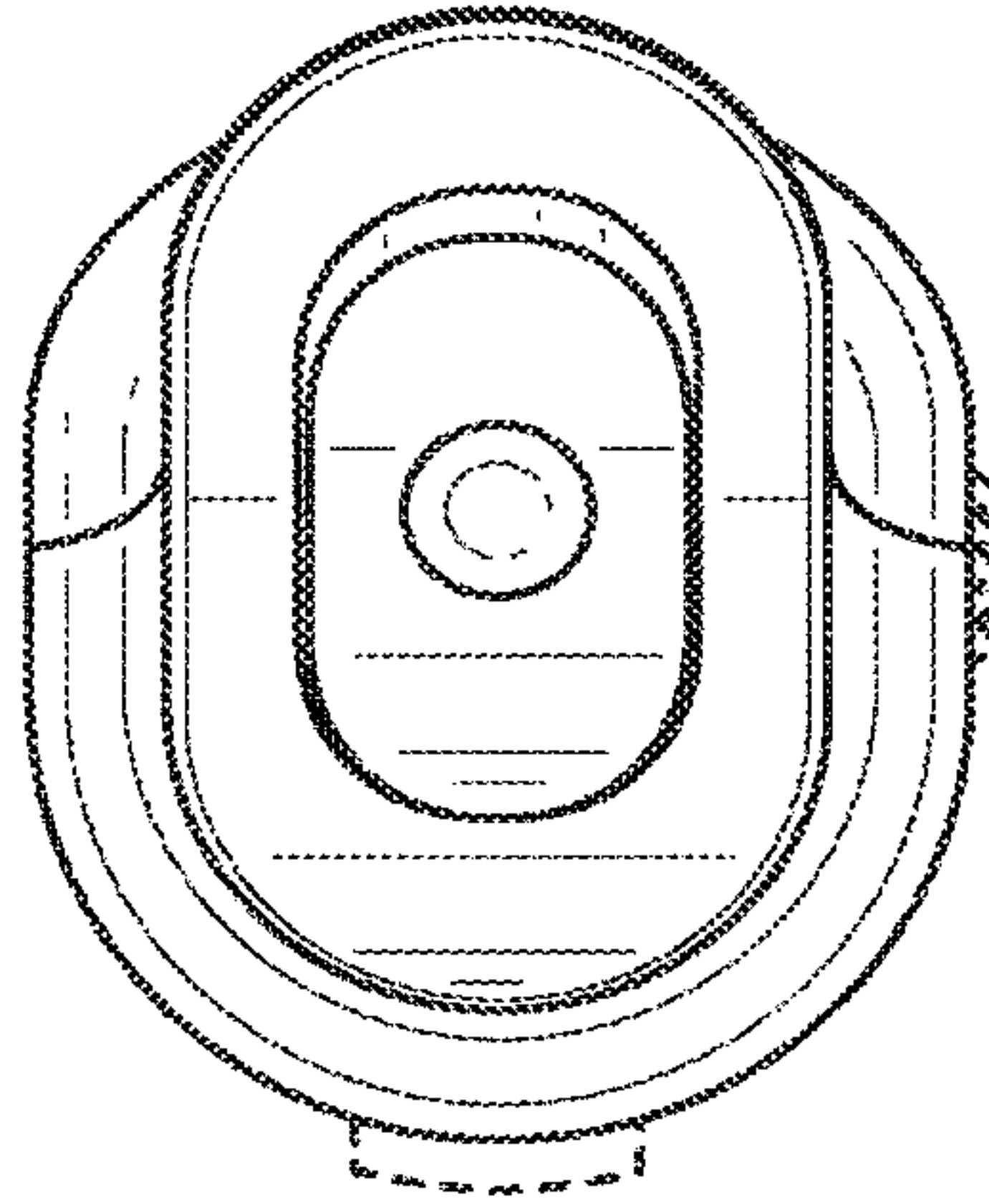


FIG. 6

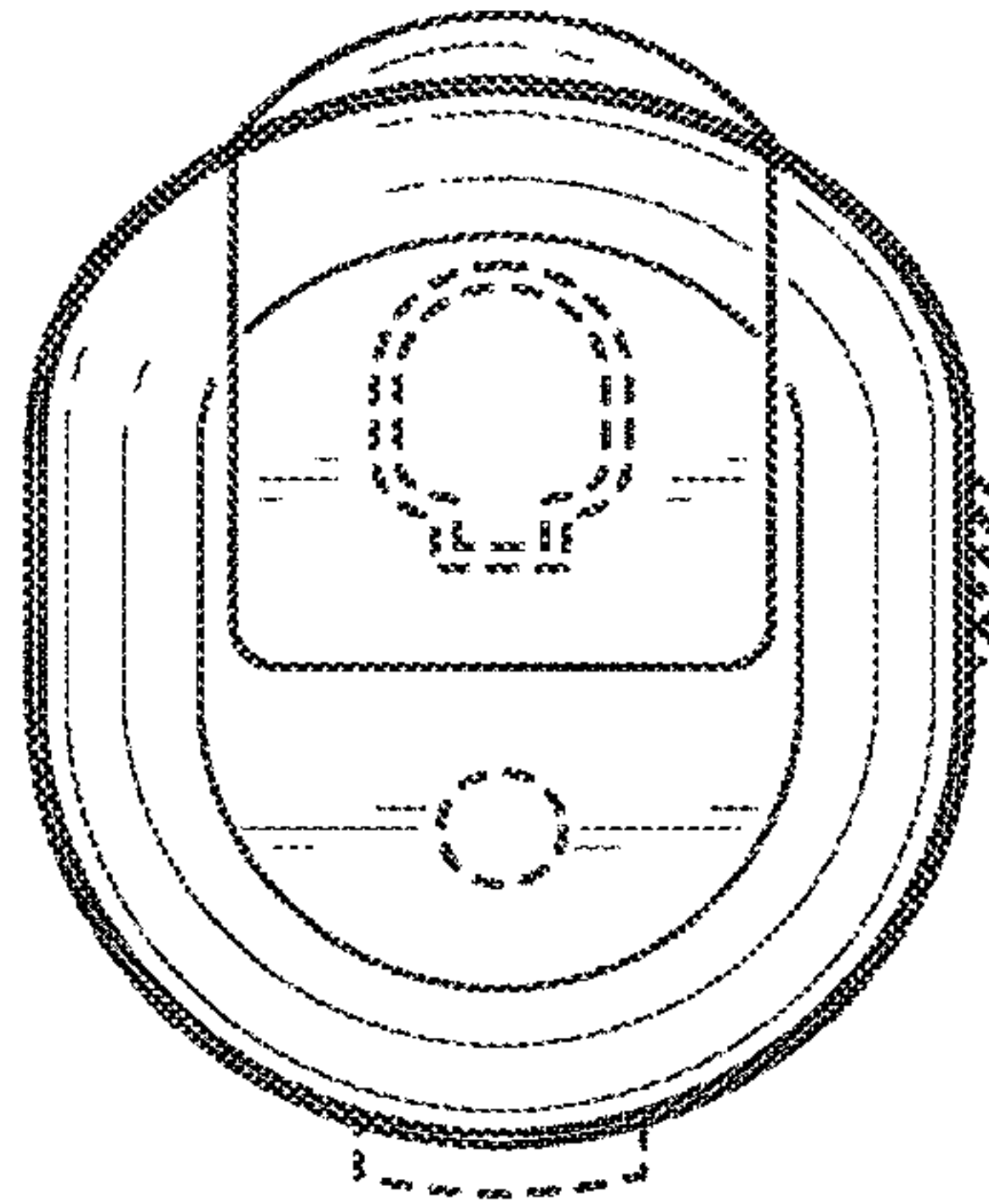


FIG. 7



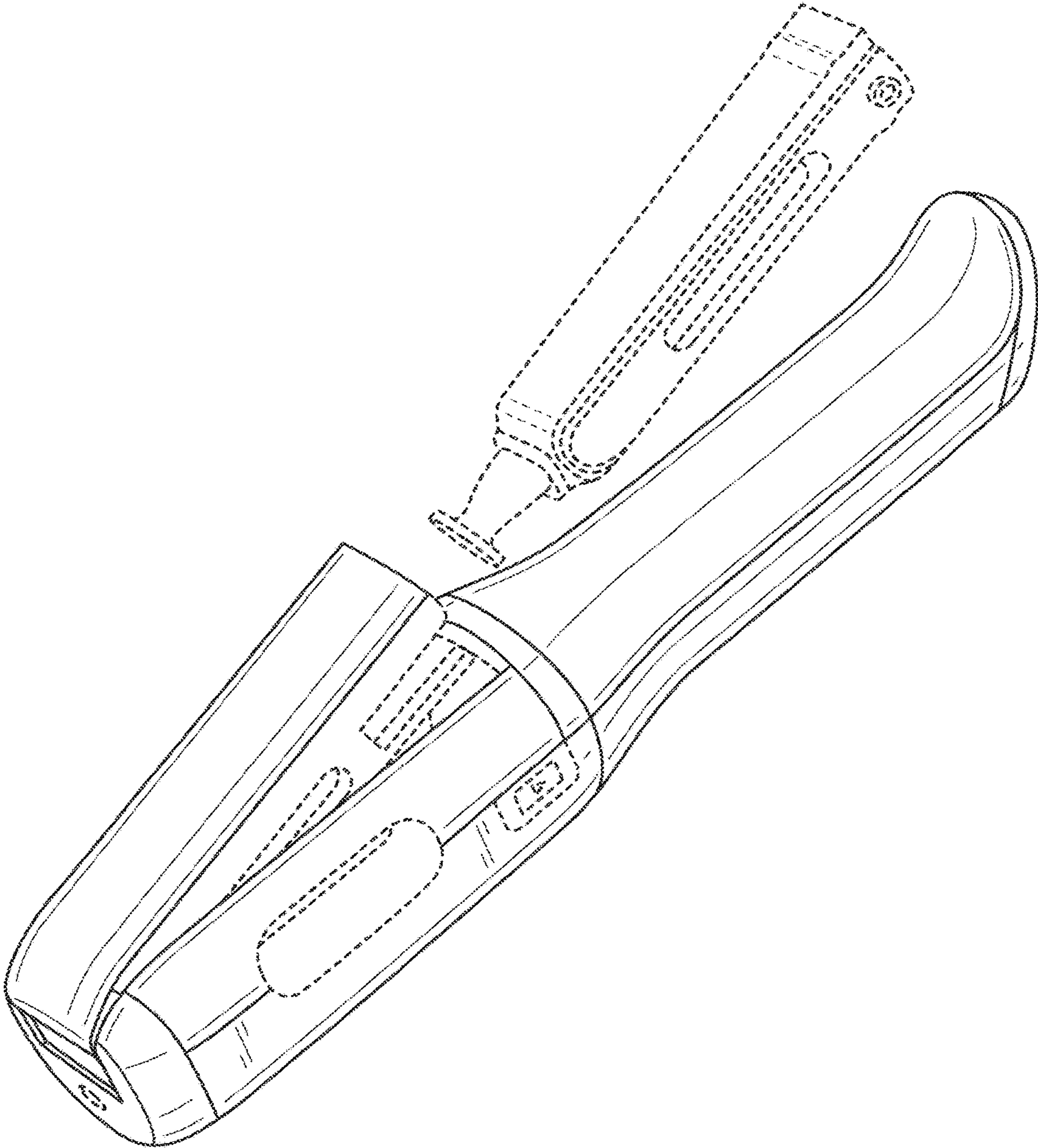


FIG. 8

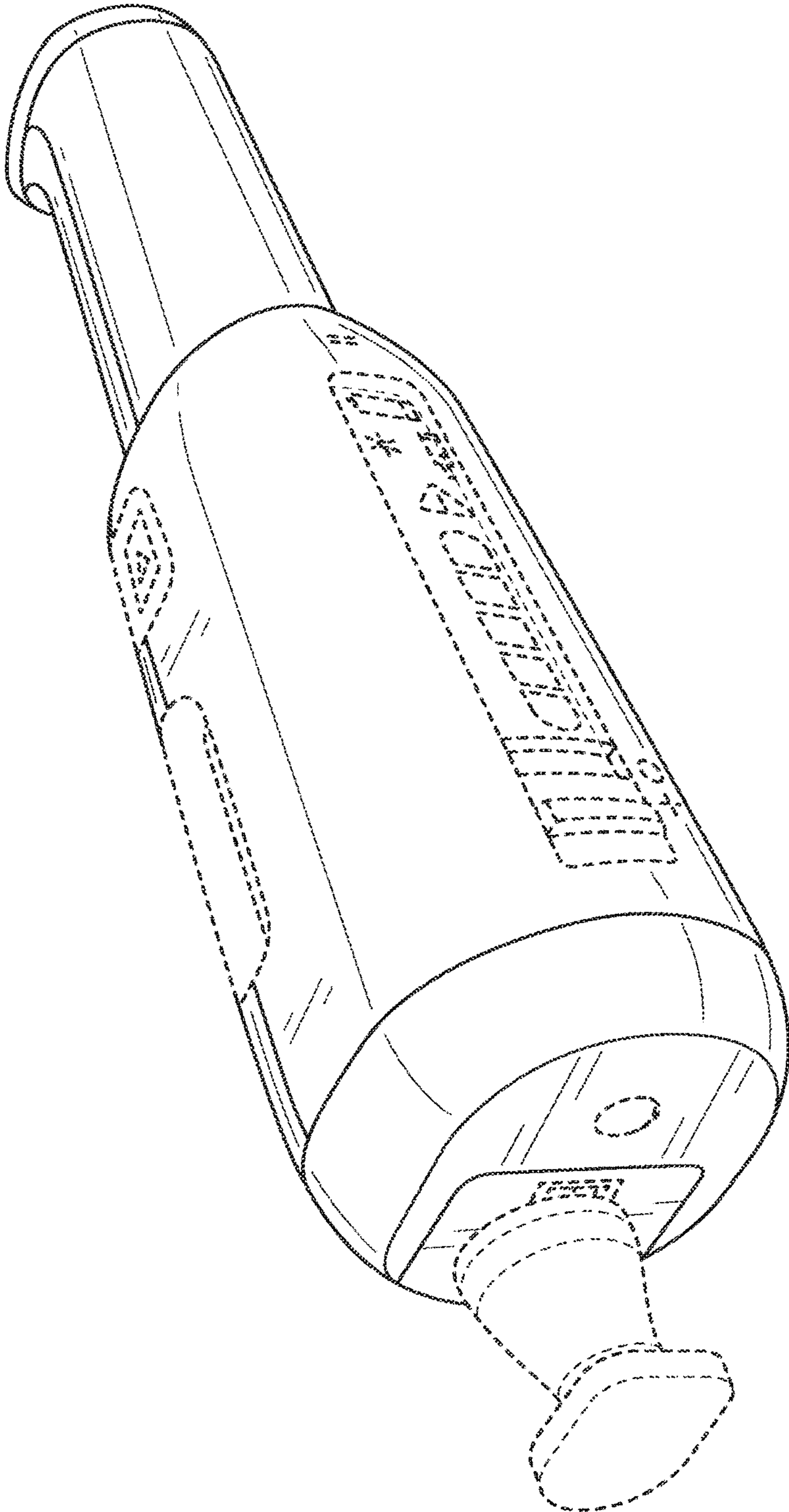


FIG. 9

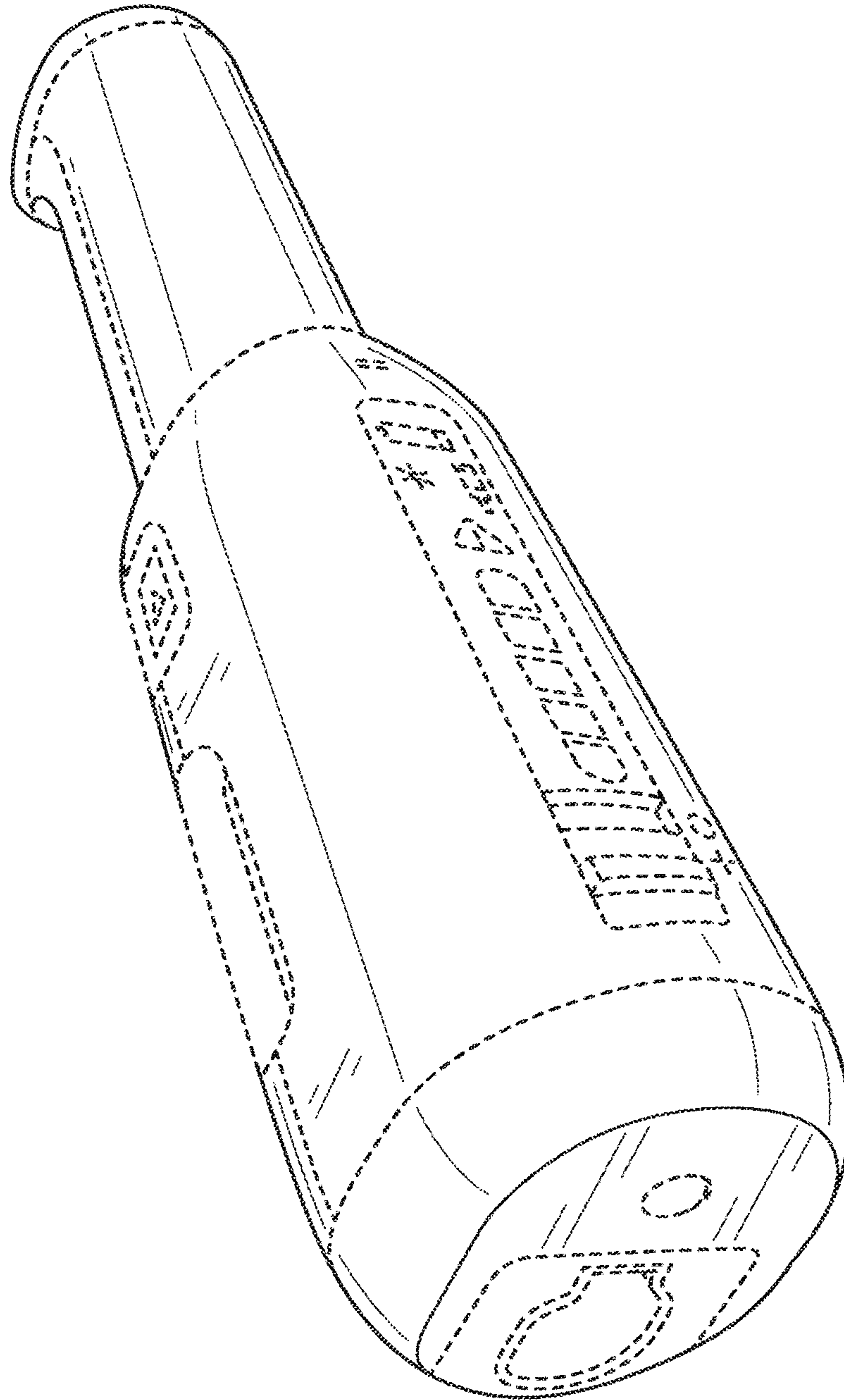


FIG. 10

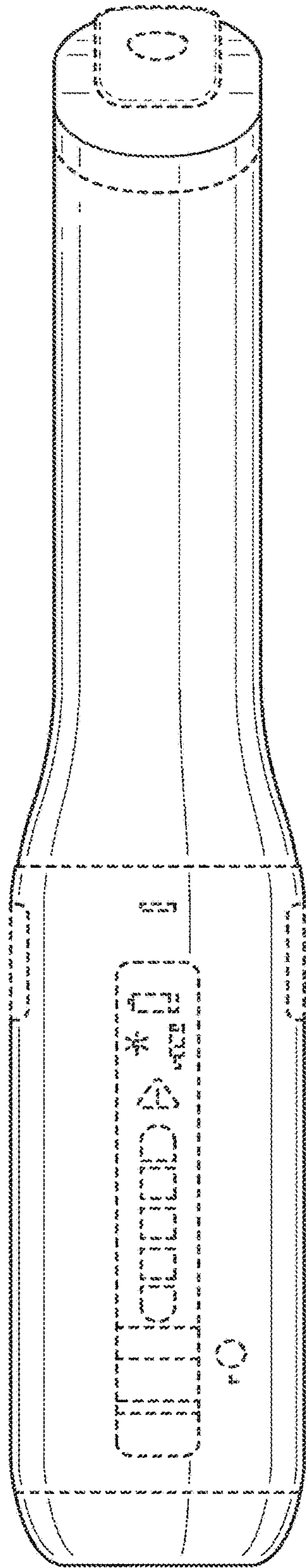


FIG. 11

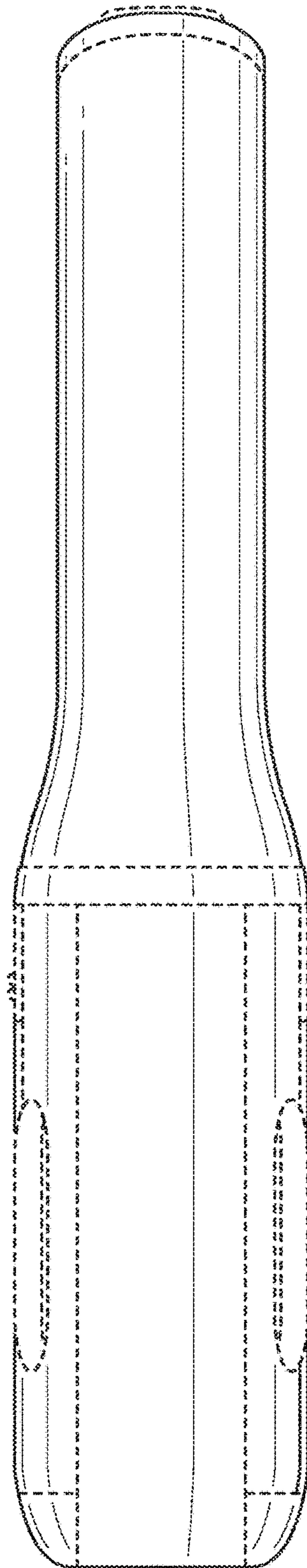


FIG. 12



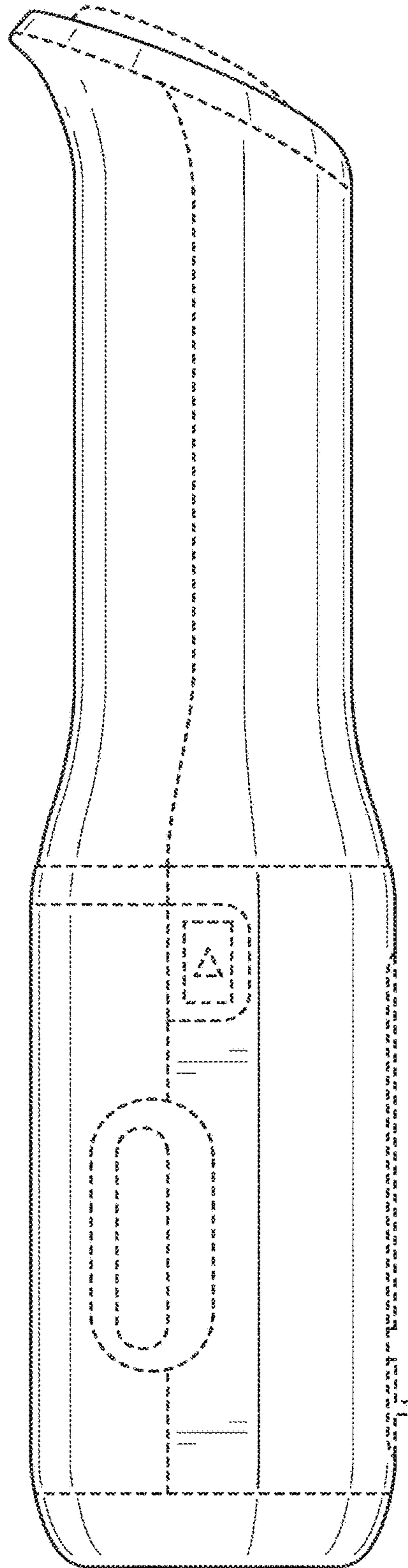


FIG. 13

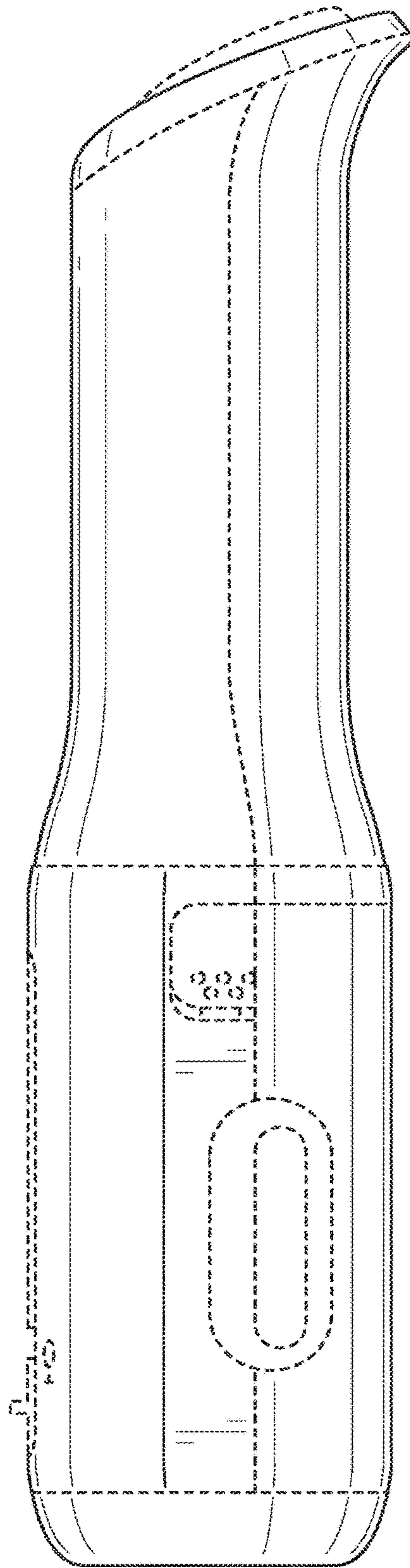


FIG. 14

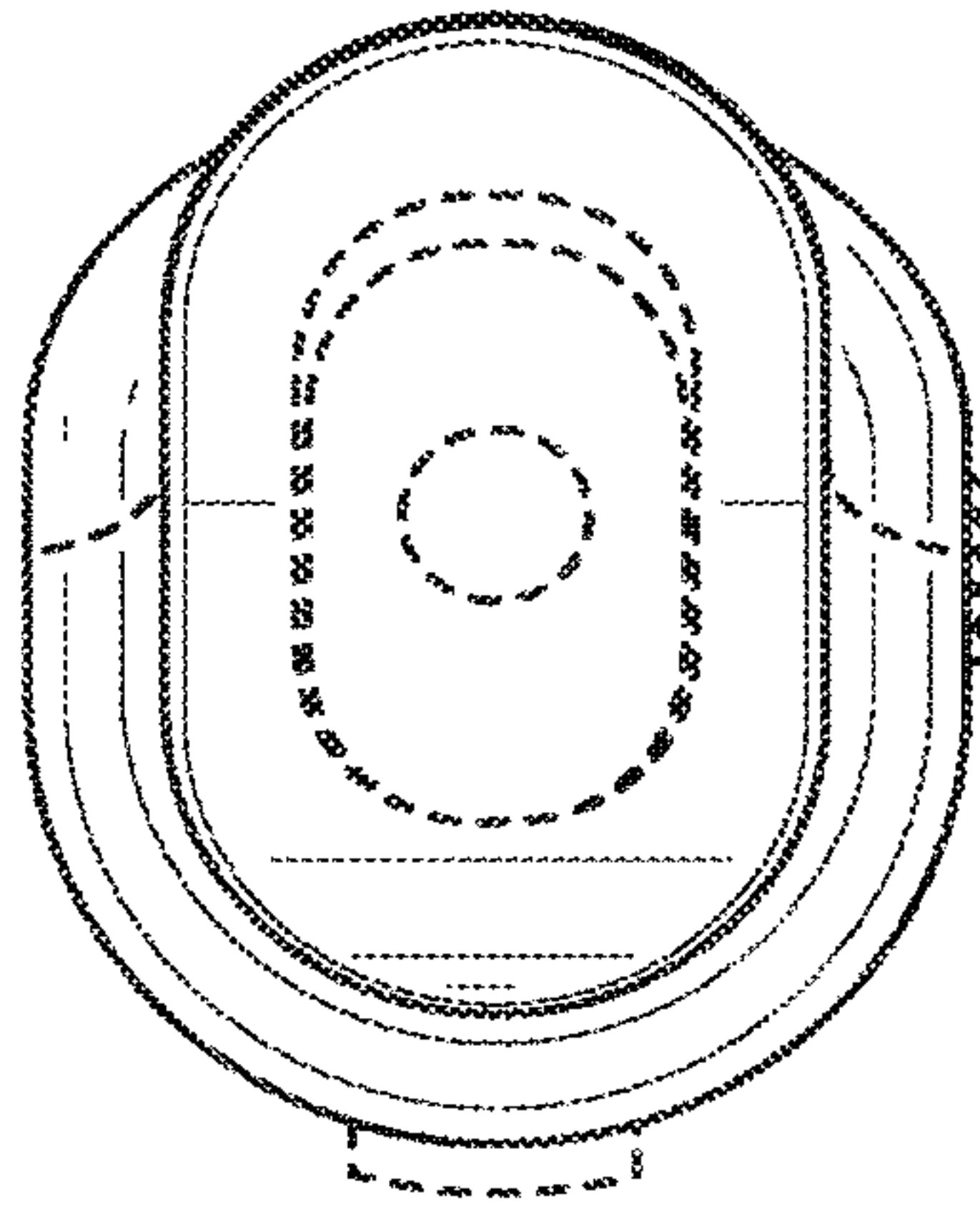


FIG. 15

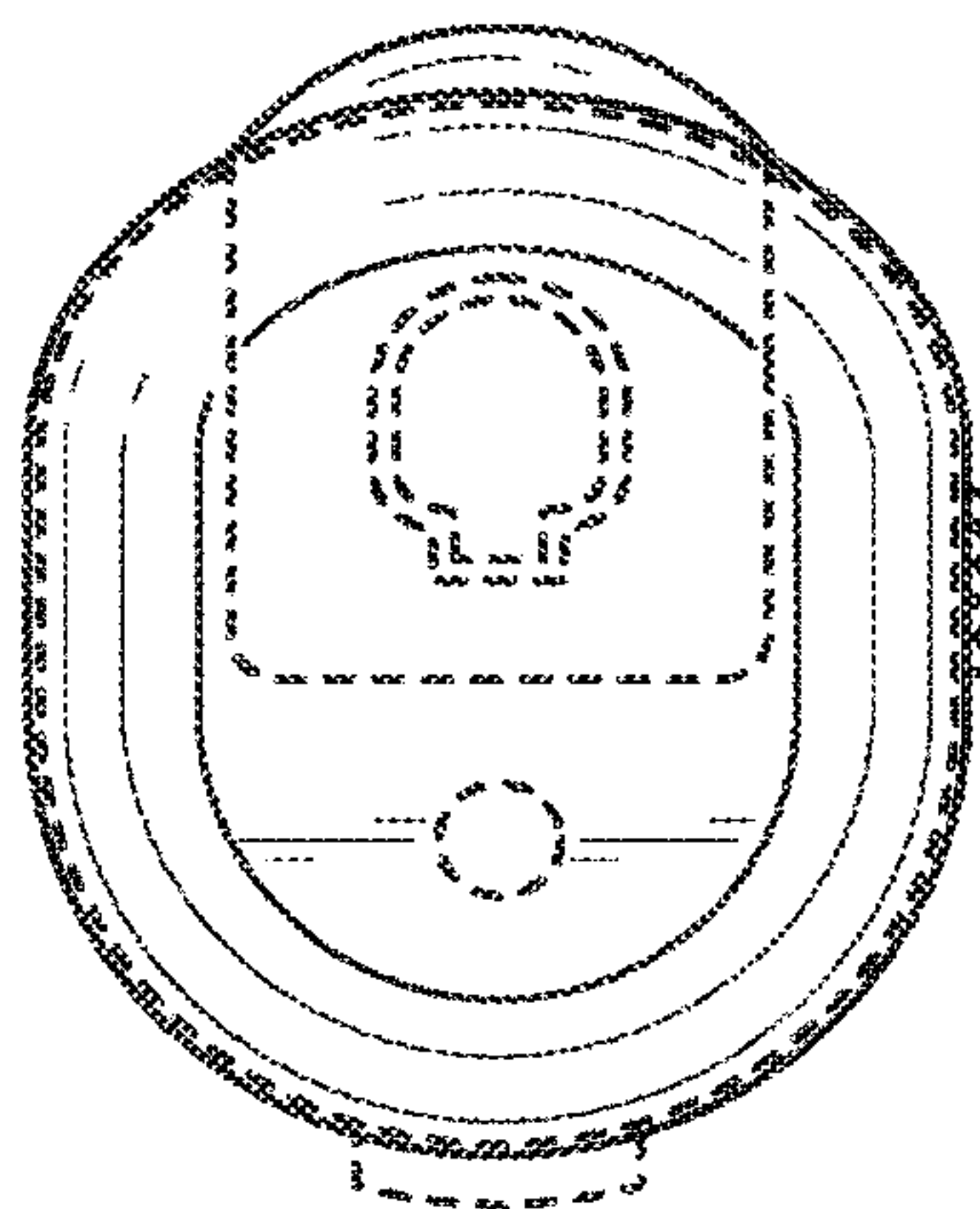


FIG. 16

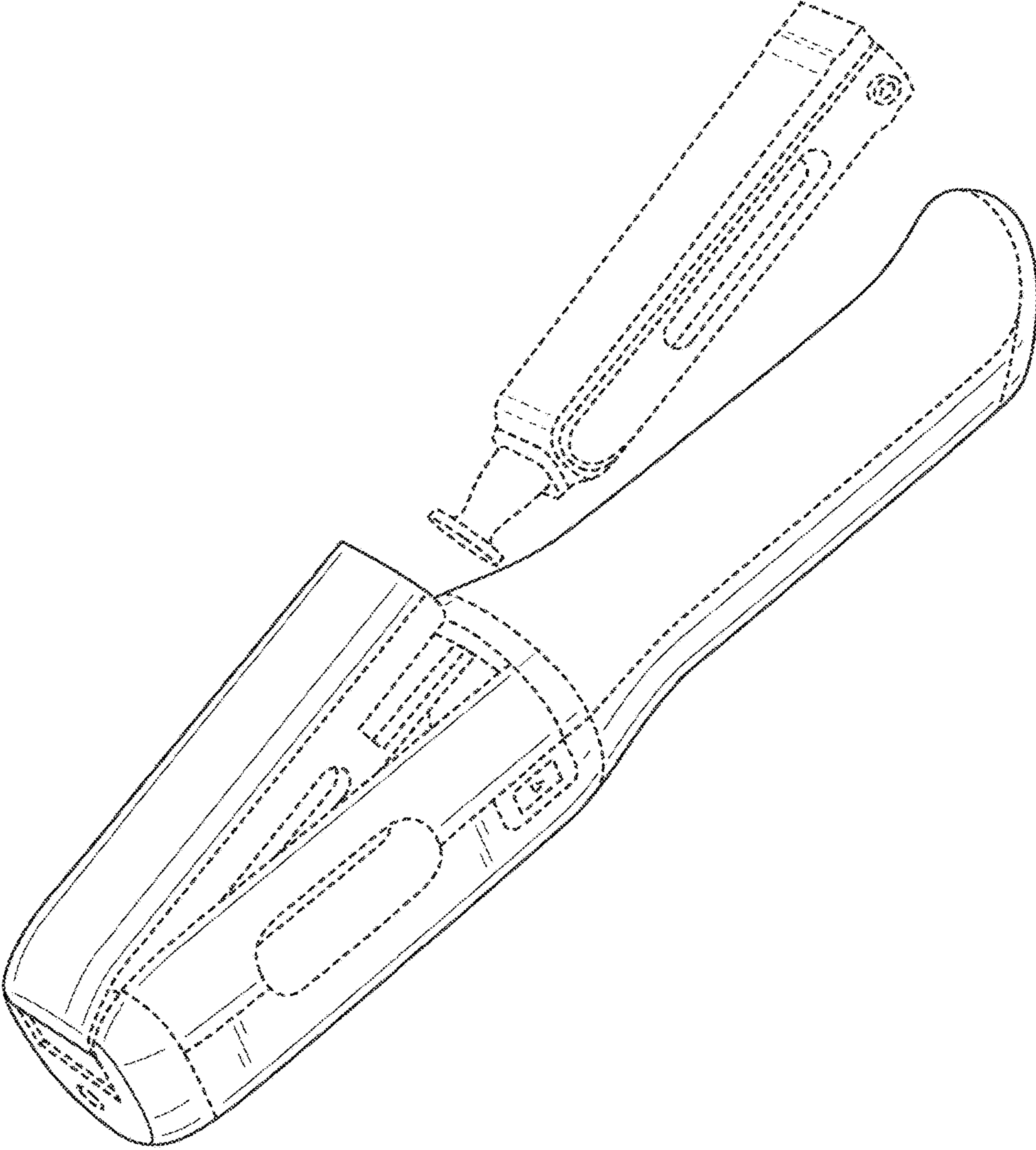


FIG. 17

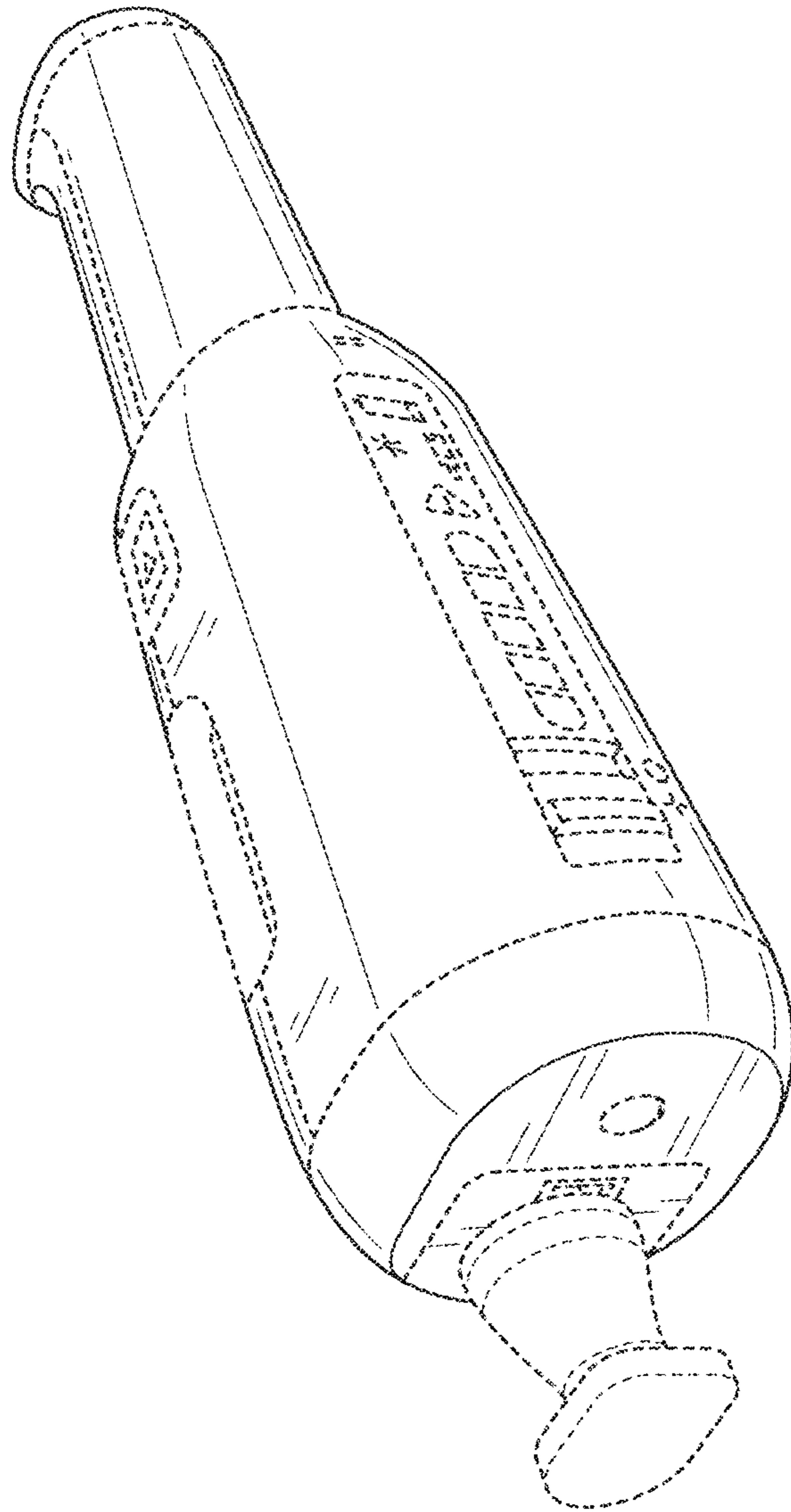


FIG. 18