



US00D808009S

(12) **United States Design Patent** (10) **Patent No.:** **US D808,009 S**
Brannon (45) **Date of Patent:** **** *Jan. 16, 2018**

(54) **BONE ASPIRATOR**

(71) Applicant: **James K Brannon**, Leawood, KS (US)

(72) Inventor: **James K Brannon**, Leawood, KS (US)

(*) Notice: This patent is subject to a terminal disclaimer.

(**) Term: **14 Years**

(21) Appl. No.: **29/503,614**

(22) Filed: **Sep. 29, 2014**

(51) **LOC (11) Cl.** **24-02**

(52) **U.S. Cl.**
USPC **D24/112**

(58) **Field of Classification Search**
USPC D24/112-114, 108, 130, 127, 133, 186;
606/181, 185; 604/264, 523-528, 272,
604/164.01-164.11, 187, 93.01; 600/101,
600/139, 143; 128/200.24, 207.14,
128/207.15

CPC A61M 25/00; A61M 39/00; A61M 27/00;
A61M 25/0043; A61M 25/0067; A61M
25/0097; A61F 2/958

See application file for complete search history.

(56) **References Cited**

U.S. PATENT DOCUMENTS

5,400,767	A	3/1995	Murdoch	
5,848,993	A *	12/1998	Tanhehco A61M 1/0011 604/212
6,024,706	A	2/2000	Hsiao	
D490,894	S *	6/2004	Bogazzi D24/133
D490,895	S *	6/2004	Bogazzi D24/133
D490,896	S *	6/2004	Bogazzi D24/133
D497,668	S *	10/2004	Bogazzi D24/133
6,902,526	B2	6/2005	Katzman	
7,329,233	B2 *	2/2008	Gresham A61B 17/3474 604/164.01
7,785,294	B2 *	8/2010	Hueil A61B 17/3421 604/167.06
8,333,734	B2 *	12/2012	Zohmann A61B 17/3401 604/164.01

(Continued)

OTHER PUBLICATIONS

U.S. Appl. No. 10/928,553, filed Aug. 26, 20014, James Kevin Brannon.

(Continued)

Primary Examiner — David Muller

(74) *Attorney, Agent, or Firm* — Intellectual Property Center, LLC; Arthur K. Shaffer

(57) **CLAIM**

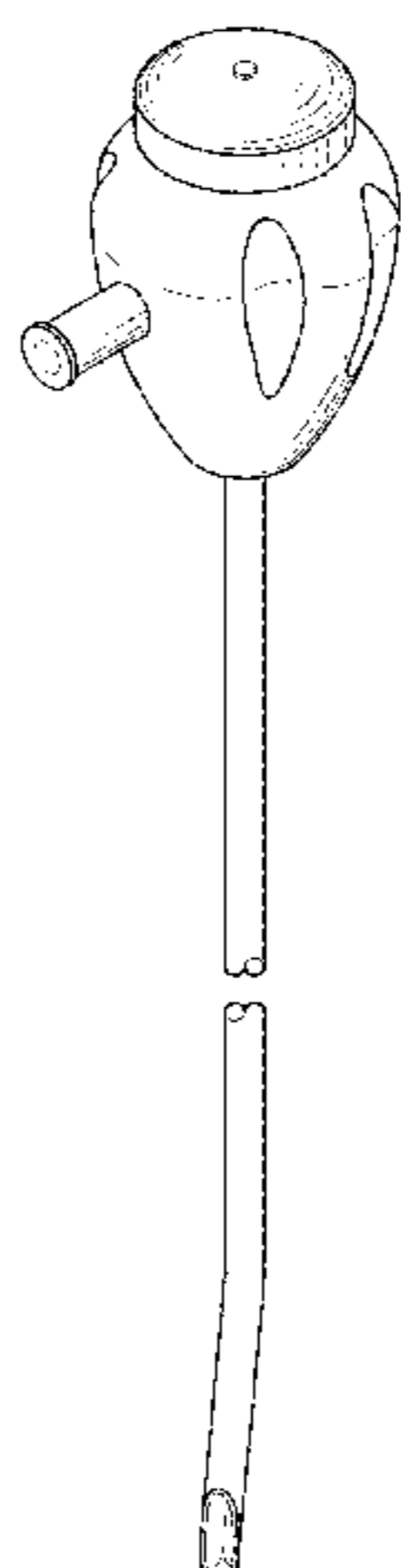
The ornamental design for a bone aspirator, as shown and described.

DESCRIPTION

FIG. 1 is a front perspective view of a bone aspirator in accordance with one embodiment of the present invention; FIG. 2 is a left side elevation thereof; FIG. 3 is a right side elevation thereof; FIG. 4 is a top plan view thereof; FIG. 5 is a bottom plan view thereof; FIG. 6 is a front elevation thereof; FIG. 7 is a rear elevation thereof; FIG. 8 is a front perspective view of a bone aspirator in accordance with a second embodiment of the invention of FIG. 1; FIG. 9 is a left side elevation thereof; FIG. 10 is a right side elevation thereof; FIG. 11 is a top plan view thereof; FIG. 12 is a bottom plan view thereof; FIG. 13 is a front elevation thereof; and, FIG. 14 is a rear elevation thereof.

The broken line showing of parts of the drawings is included for the purpose of illustrating use and environment and forms no part of the claimed design.

1 Claim, 6 Drawing Sheets



(56)

References Cited

U.S. PATENT DOCUMENTS

8,579,807 B2 * 11/2013 Moreno, Jr. A61B 17/3498
600/203
8,603,011 B2 * 12/2013 Landowski A61M 25/09041
600/585
D724,201 S * 3/2015 Homsey D24/112
D749,742 S * 2/2016 Ishibashi D24/186
D751,195 S * 3/2016 Lai D24/133

OTHER PUBLICATIONS

U.S. Appl. No. 11/970,246, filed Jan. 7, 2008, James K. Brannon.
U.S. Appl. No. 12/369,388, filed Feb. 11, 2009, James K. Brannon.
U.S. Appl. No. 12/181,205, filed Jul. 28, 2008, James K. Brannon.
U.S. Appl. No. 12/369,575, filed Feb. 11, 2009, James K. Brannon.
U.S. Appl. No. 12/706,706, filed Feb. 6, 2010, James K. Brannon.
U.S. Appl. No. 13/361,823, filed Jan. 30, 2012, James K. Brannon.
U.S. Appl. No. 61/170,508, filed Apr. 17, 2009, James K. Brannon.
U.S. Appl. No. 61/253,068, filed Oct. 20, 2009, James K. Brannon.
U.S. Appl. No. 61/218,757, filed Jun. 19, 2009, James K. Brannon.
U.S. Appl. No. 29/340,631, filed Jul. 22, 2009, James K. Brannon.
U.S. Appl. No. 61/266,908, filed Dec. 4, 2009, James K. Brannon.
U.S. Appl. No. 61/266,900, filed Dec. 4, 2009, James K. Brannon.
U.S. Appl. No. 61/303,495, filed Feb. 11, 2010, James K. Brannon.
U.S. Appl. No. 61/303,508, filed Feb. 11, 2010, James K. Brannon.
U.S. Appl. No. 61/309,732, filed Apr. 2, 2010, James K. Brannon.
U.S. Appl. No. 61/319,166, filed Mar. 30, 2010, James K. Brannon.

U.S. Appl. No. 61/325,084, filed Apr. 16, 2010, James K. Brannon.
U.S. Appl. No. 61/325,102, filed Apr. 16, 2010, James K. Brannon.
U.S. Appl. No. 12/763,123, filed Apr. 20, 2010, James K. Brannon.
U.S. Appl. No. 12/820,133, filed Jun. 21, 2010, James K. Brannon.
U.S. Appl. No. 12/908,879, filed Oct. 21, 2010, James K. Brannon.
U.S. Appl. No. 12/961,487, filed Dec. 6, 2010, James K. Brannon.
U.S. Appl. No. 12/961,491, filed Dec. 6, 2010, James K. Brannon.
U.S. Appl. No. 12/986,064, filed Jan. 6, 2011, James K. Brannon.
U.S. Appl. No. 61/443,655, filed Feb. 16, 2011, James K. Brannon.
U.S. Appl. No. 61/444,025, filed Feb. 17, 2011, James K. Brannon.
U.S. Appl. No. 61/444,315, filed Feb. 18, 2011, James K. Brannon.
U.S. Appl. No. 61/645,327, filed May 23, 2012, James K. Brannon.
U.S. Appl. No. 29/398,708, filed Aug. 3, 2011, James K. Brannon.
U.S. Appl. No. 13/444,559, filed Apr. 11, 2012, James K. Brannon.
U.S. Appl. No. 13/039,191, filed Mar. 2, 2011, James K. Brannon.
U.S. Appl. No. 13/076,408, filed Mar. 30, 2011, James K. Brannon.
U.S. Appl. No. 13/089,306, filed Apr. 18, 2011, James K. Brannon.
U.S. Appl. No. 13/197,476, filed Aug. 3, 2011, James K. Brannon.
U.S. Appl. No. 29/445,846, filed Feb. 18, 2013, James K. Brannon.
U.S. Appl. No. 13/838,330, filed Mar. 15, 2013, James K. Brannon.
U.S. Appl. No. 29/449,726, filed Mar. 15, 2013, James K. Brannon.
U.S. Appl. No. 13/844,652, filed Mar. 15, 2013, James K. Brannon.
U.S. Appl. No. 29/449,929, filed Mar. 15, 2013, James K. Brannon.
U.S. Appl. No. 29/450,070, filed Mar. 15, 2013, James K. Brannon.
U.S. Appl. No. 61/839,152, filed Jun. 25, 2013, James K. Brannon.
U.S. Appl. No. 13/944,696, filed Jul. 17, 2013, James K. Brannon.
U.S. Appl. No. 61/891,836, filed Oct. 16, 2013, James K. Brannon.

* cited by examiner

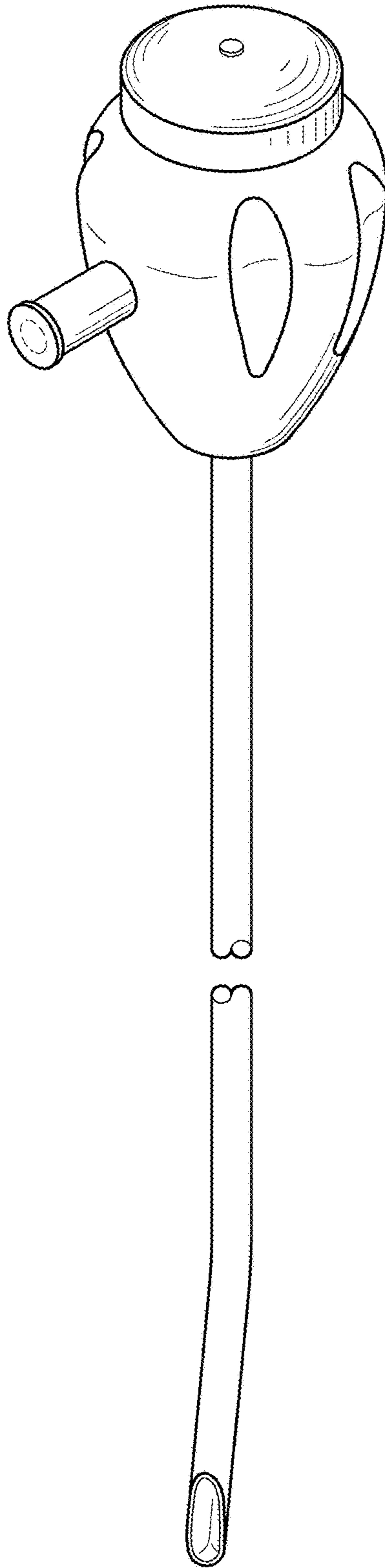


Fig. 1

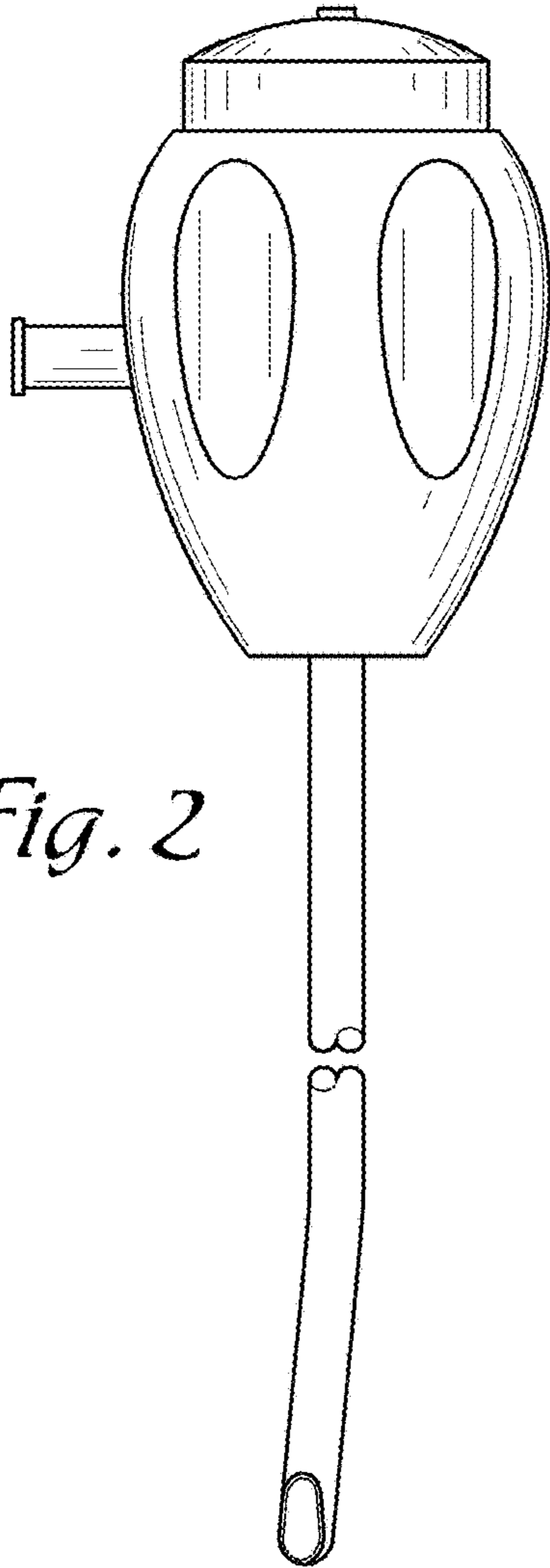


Fig. 2

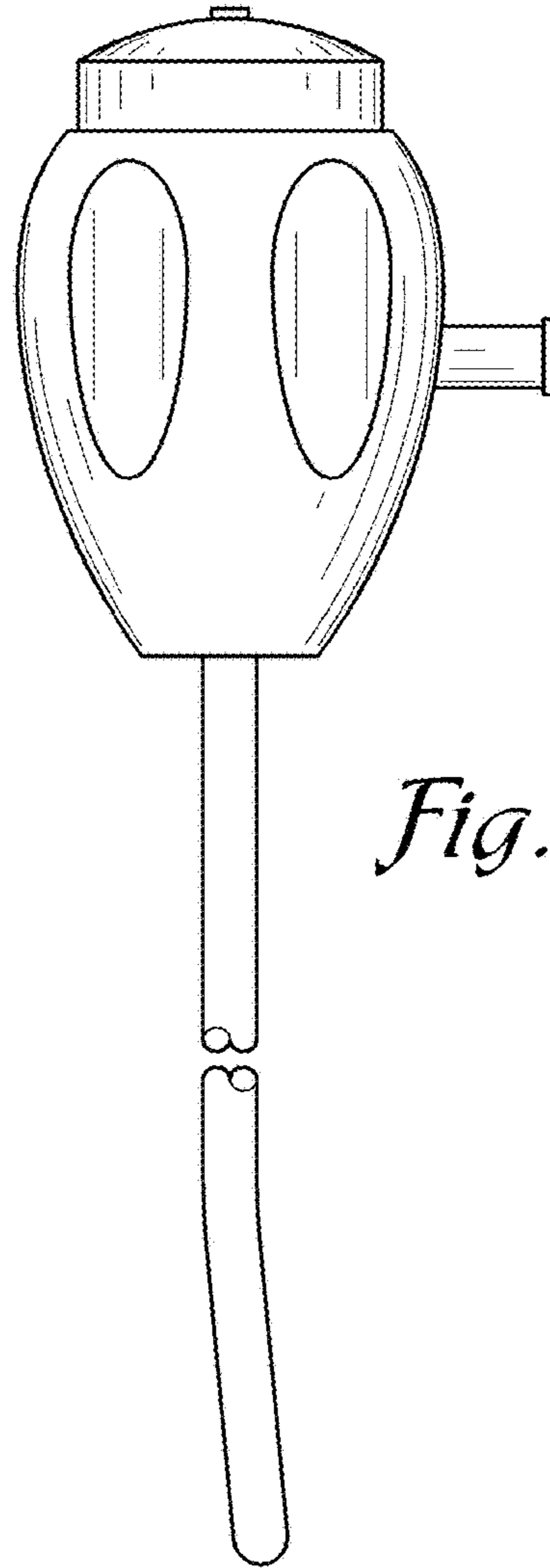


Fig. 3

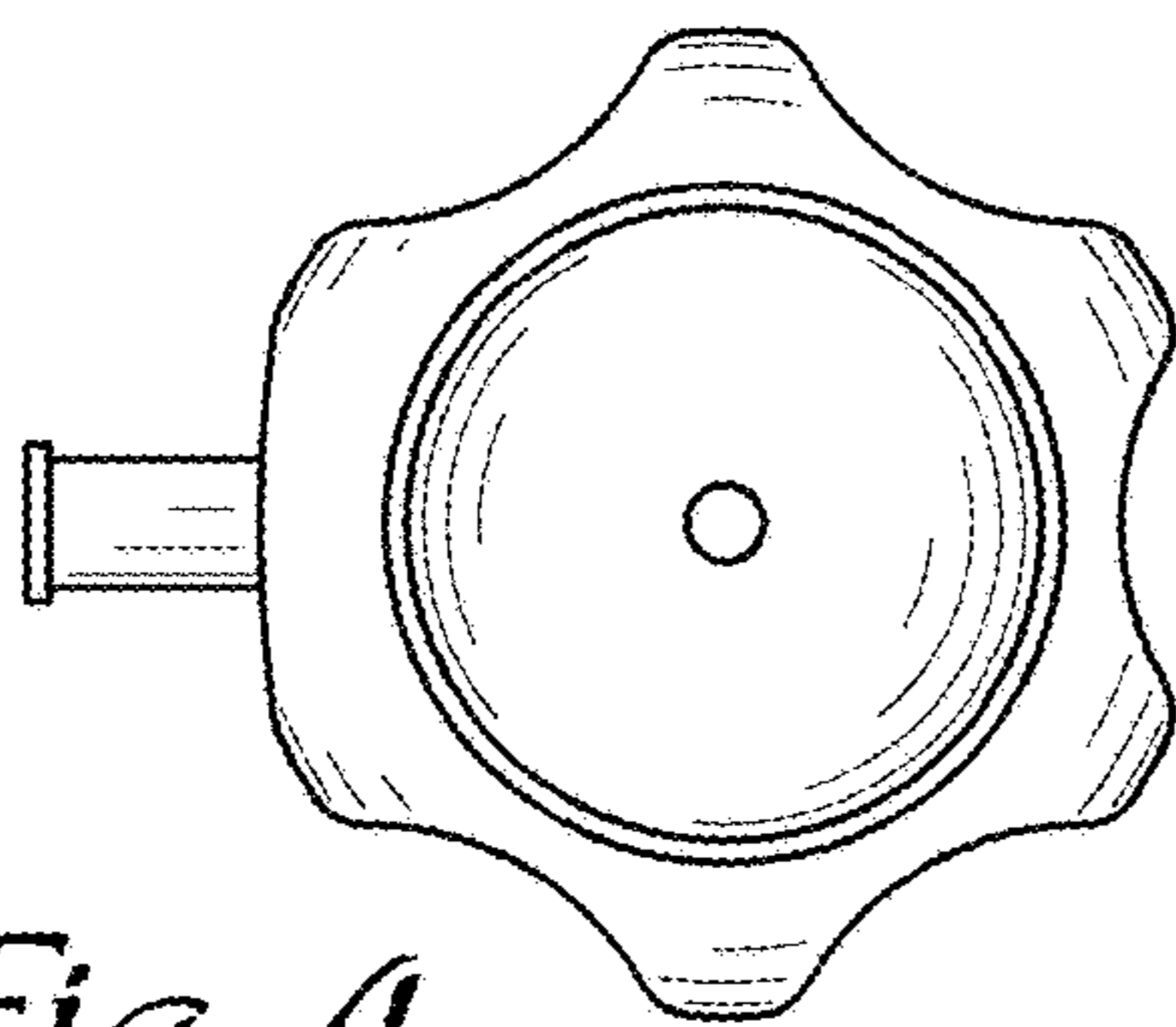


Fig. 4

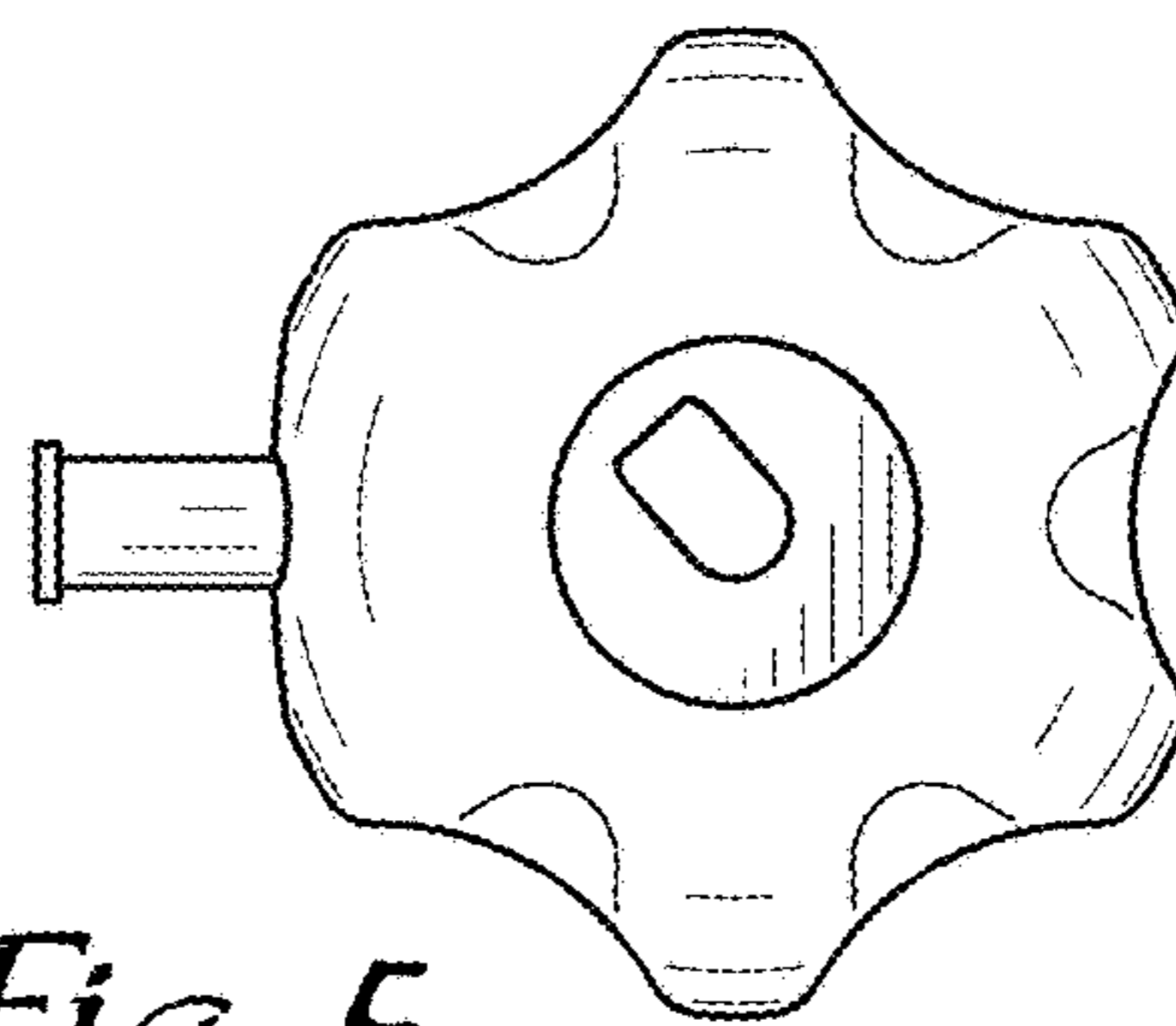


Fig. 5

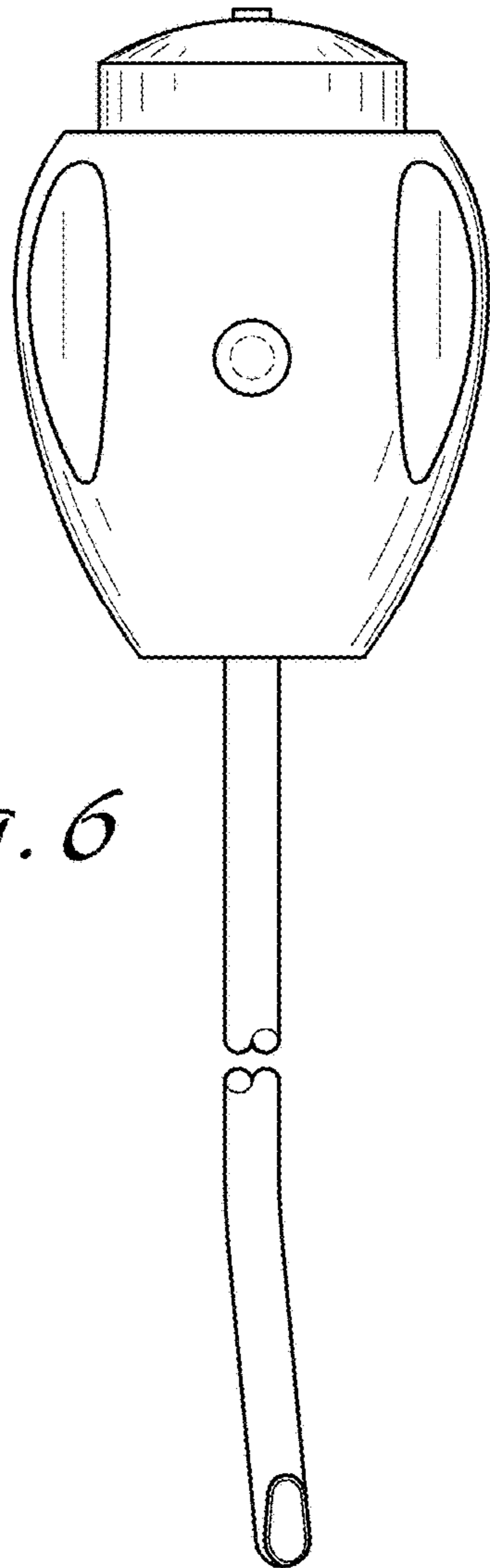


Fig. 6

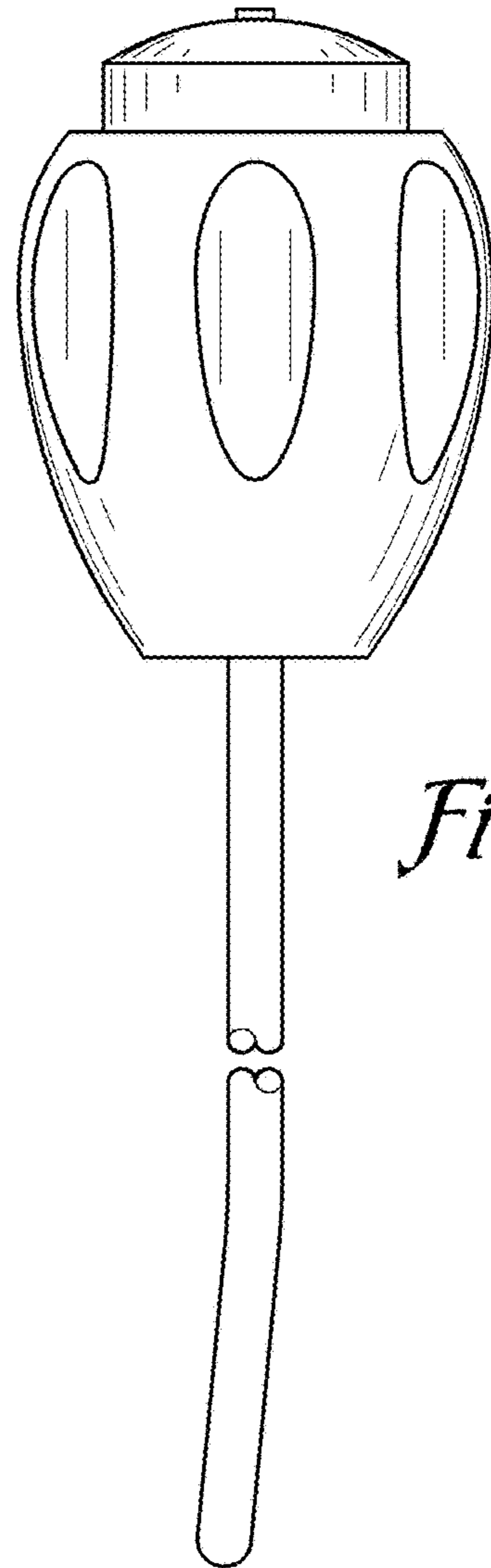


Fig. 7

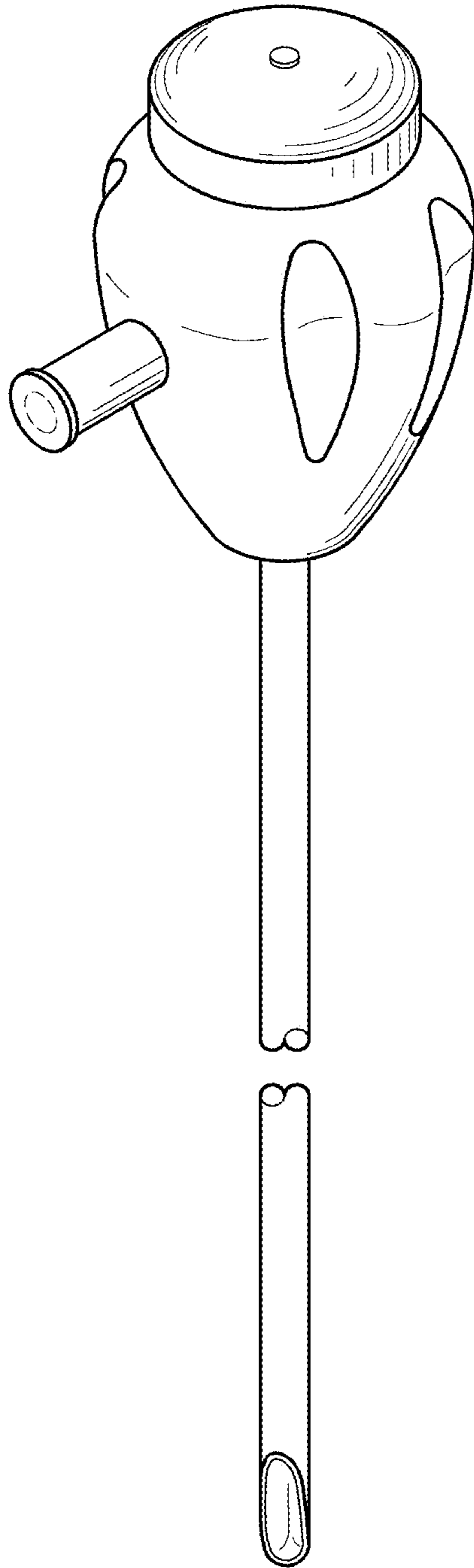


Fig. 8

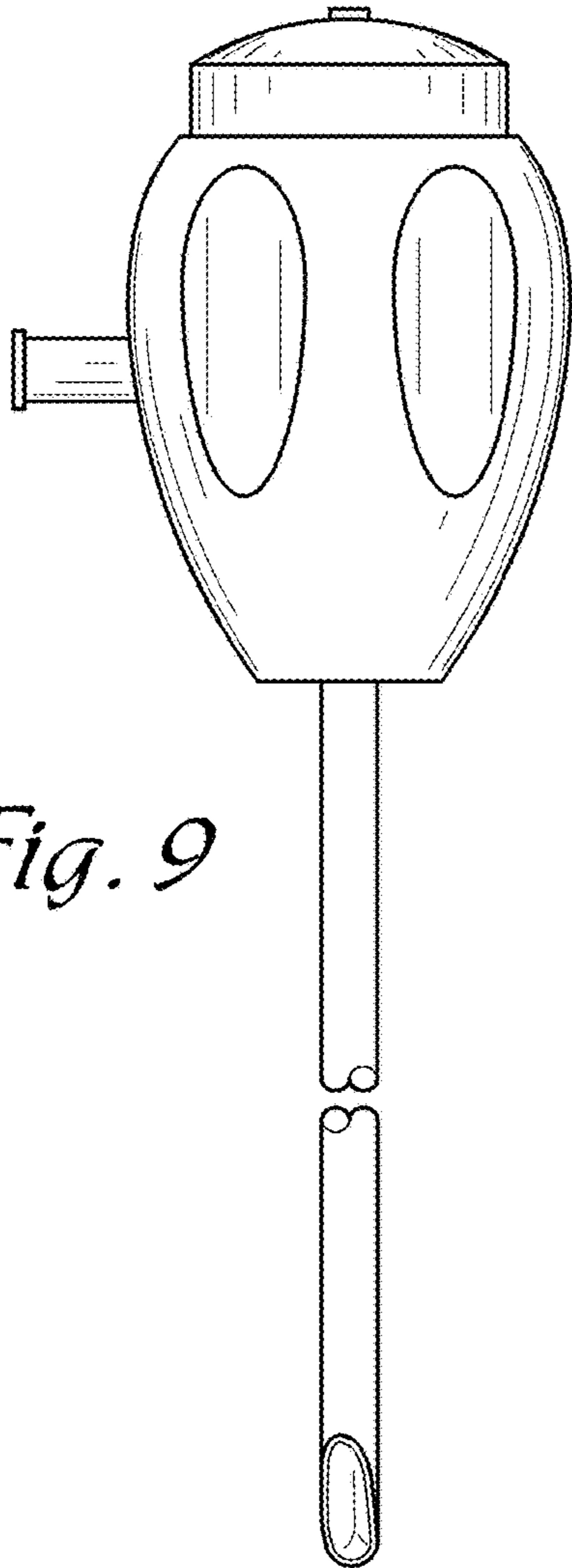


Fig. 9

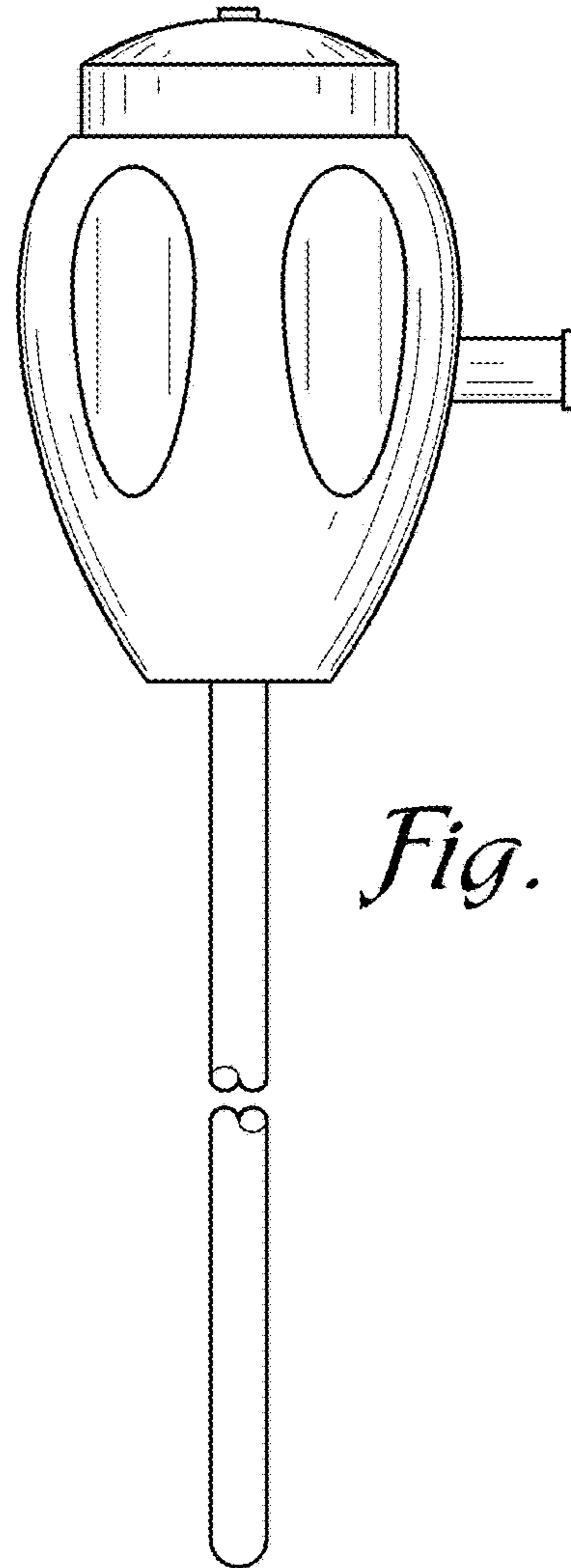


Fig. 10

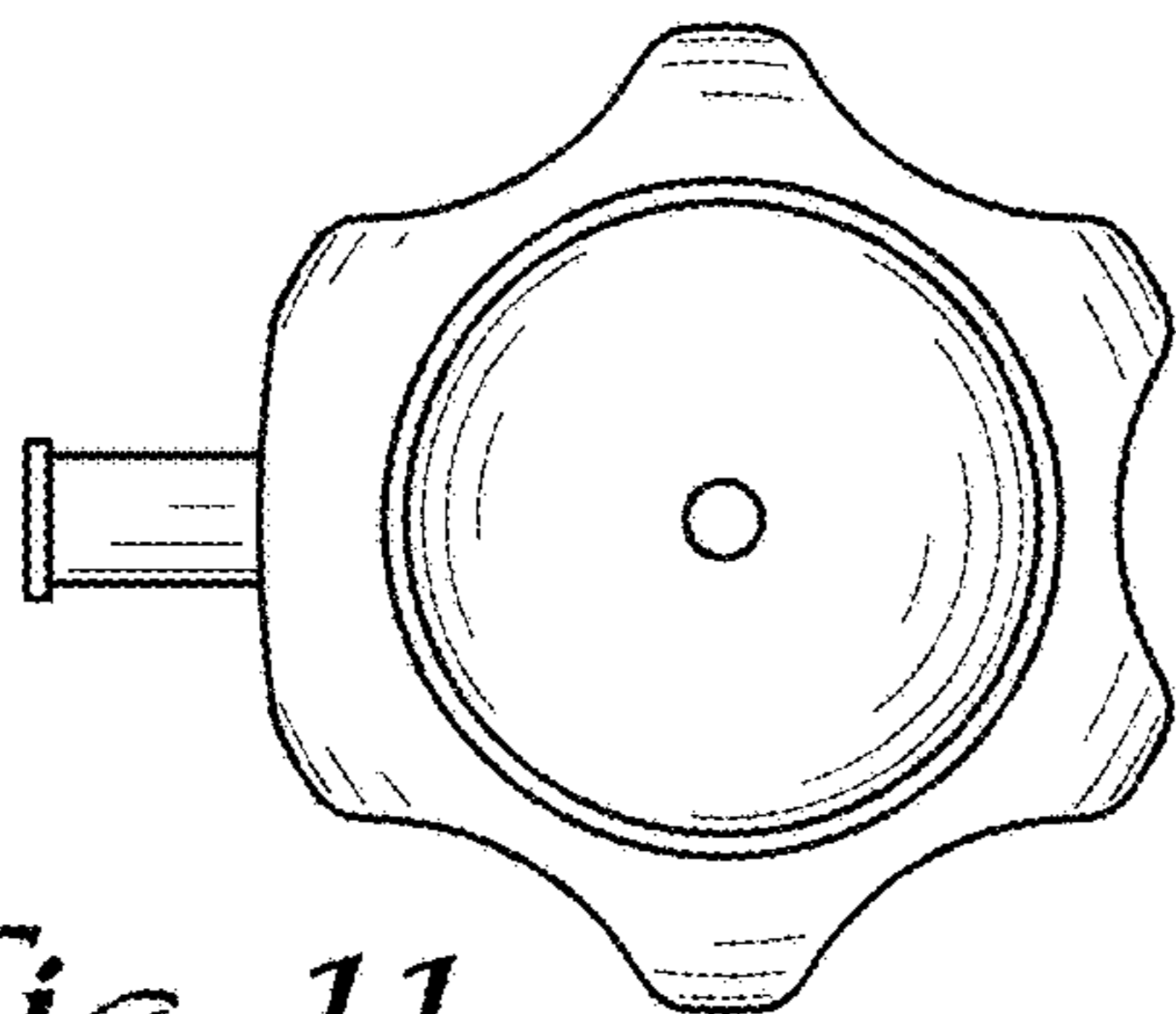


Fig. 11

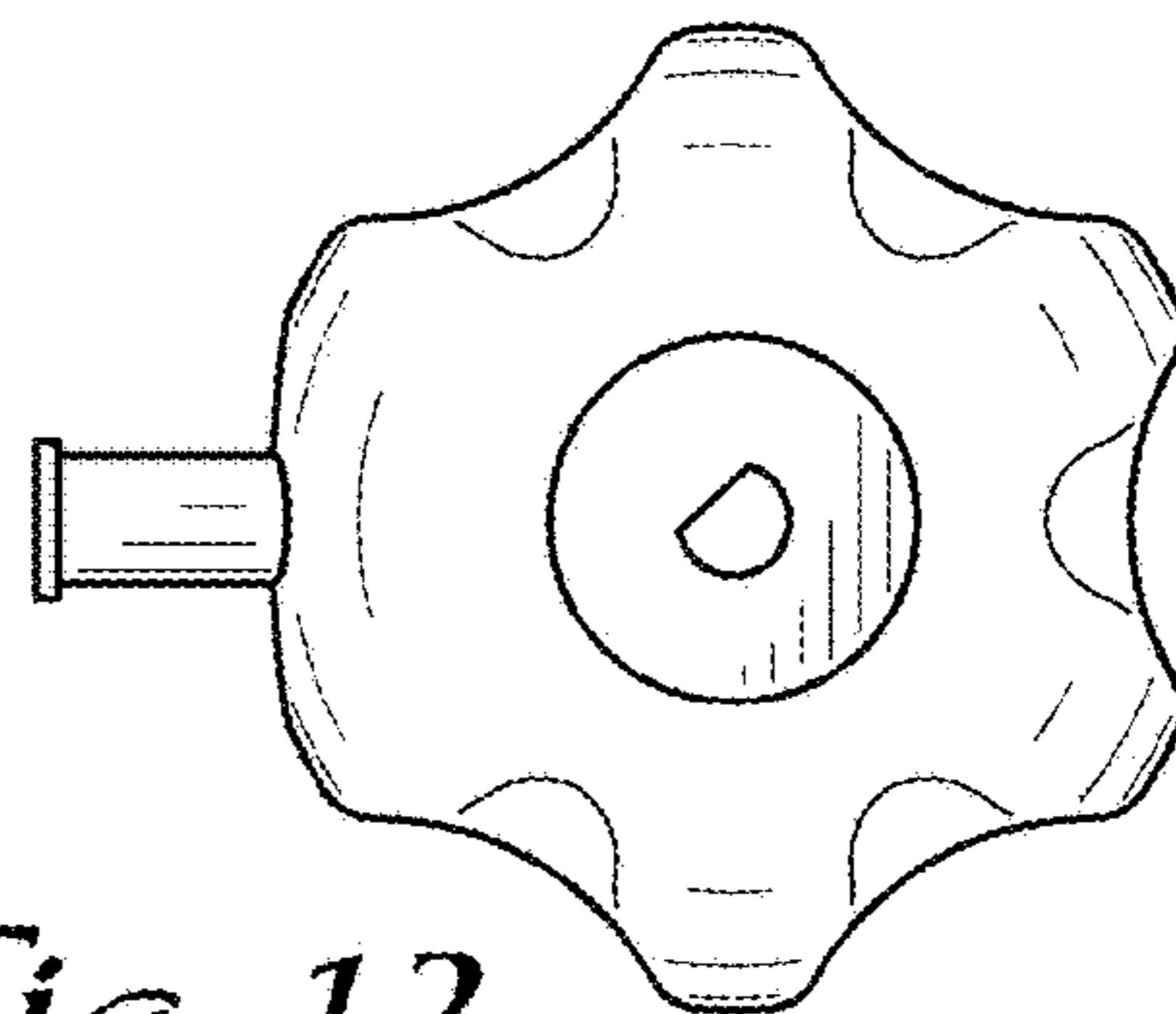


Fig. 12

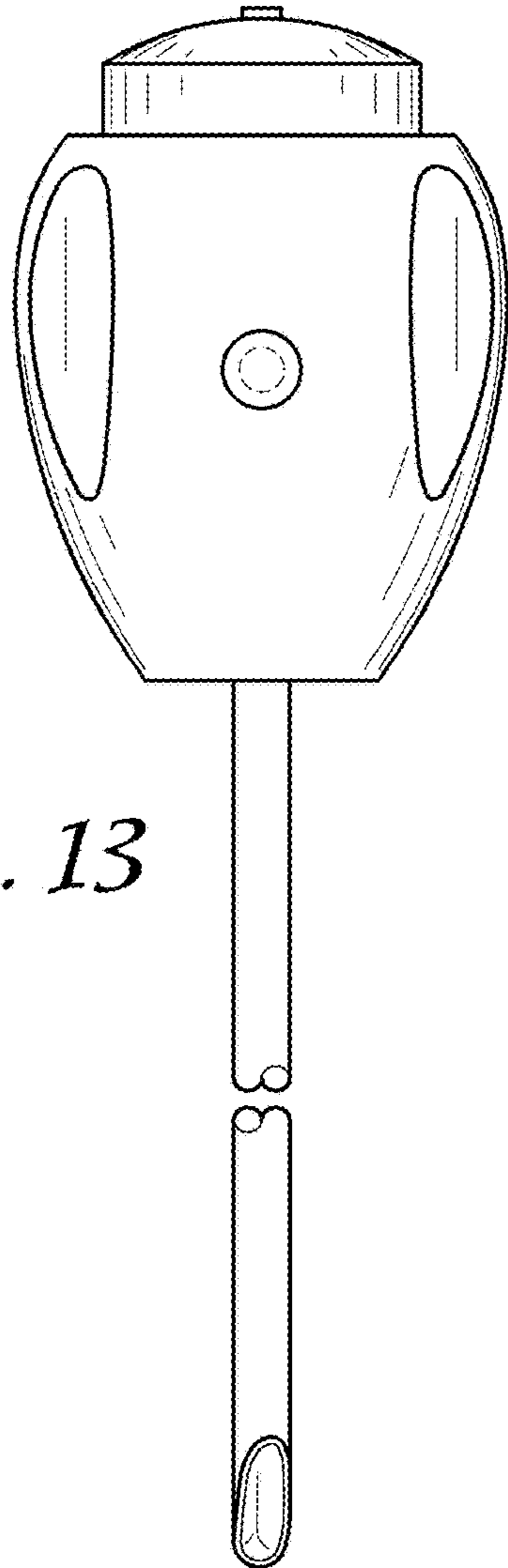


Fig. 13

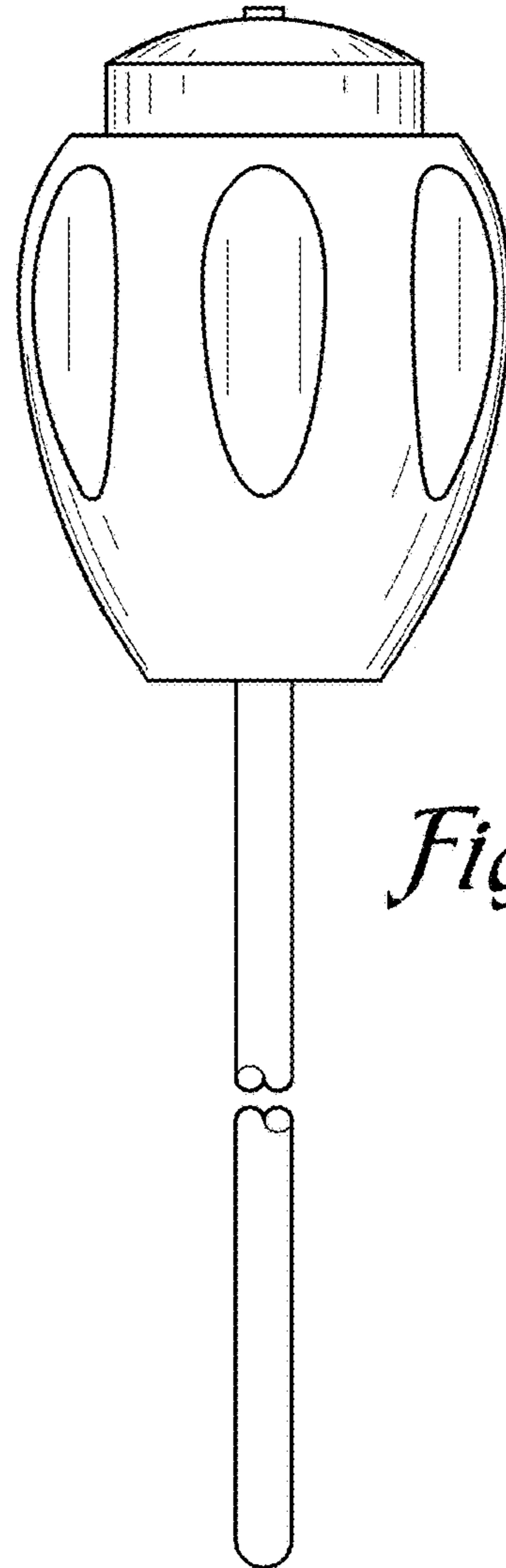


Fig. 14