



US00D808008S

(12) **United States Design Patent**
Burnham et al.

(10) **Patent No.:** **US D808,008 S**

(45) **Date of Patent:** **** Jan. 16, 2018**

(54) **ELBOW MODULE FOR A PATIENT INTERFACE**

(71) Applicant: **ResMed Limited**, Bella Vista, New South Wales (AU)

(72) Inventors: **Robert Thomas Burnham**, Sydney (AU); **Ian James Matthews**, Sydney (AU); **Christopher Scott Skipper**, Sydney (AU)

(73) Assignee: **ResMed Limited**, Bella Vista (AU)

(**) Term: **15 Years**

(21) Appl. No.: **29/577,376**

(22) Filed: **Sep. 13, 2016**

Related U.S. Application Data

(62) Division of application No. 29/484,940, filed on Mar. 14, 2014, now Pat. No. Des. 769,440.

(51) **LOC (11) Cl.** **29-02**

(52) **U.S. Cl.**
USPC **D24/110.4**

(58) **Field of Classification Search**
USPC D24/110-110.6, 127
CPC A61M 16/0622; A61M 16/0616; A61M 16/0816; A61M 16/08; A61M 16/0633; A61M 16/06; A61M 16/0666; A61M 2210/0618; A61M 16/0683

See application file for complete search history.

(56) **References Cited**

U.S. PATENT DOCUMENTS

6,467,483	B1	10/2002	Kopacko
D496,098	S	9/2004	Guney
D532,511	S	11/2006	Amarasinghe
D532,512	S	11/2006	Amarasinghe
D637,283	S	5/2011	Selvarajan
D652,913	S	1/2012	Selvarajan

D678,999	S	3/2013	Selvarajan	
D693,459	S	11/2013	Prentice	
D693,460	S	11/2013	Rothermel	
D693,462	S	11/2013	Rothermel	
D695,887	S	12/2013	Ozolins	
D706,413	S	6/2014	Veliss	
D751,188	S	* 3/2016	Skipper D24/110.4

(Continued)

Primary Examiner — Barbara Fox

Assistant Examiner — Lilyana Bekic

(74) *Attorney, Agent, or Firm* — Nixon & Vanderhye P.C.

(57) **CLAIM**

The ornamental design for an elbow module for a patient interface, as shown and described.

DESCRIPTION

FIG. 1 is a front perspective view of an elbow module for a patient interface according to a first embodiment of our new design;

FIG. 2 is a front view thereof;

FIG. 3 is a rear view thereof;

FIG. 4 is a top view thereof;

FIG. 5 is a bottom view thereof;

FIG. 6 is a right side view thereof;

FIG. 7 is a left side view thereof; and

FIG. 8 is a rear perspective view thereof;

FIG. 9 is a front perspective view of an elbow module for a patient interface according to a second embodiment of our new design;

FIG. 10 is a front view thereof;

FIG. 11 is a rear view thereof;

FIG. 12 is a top view thereof;

FIG. 13 is a bottom view thereof;

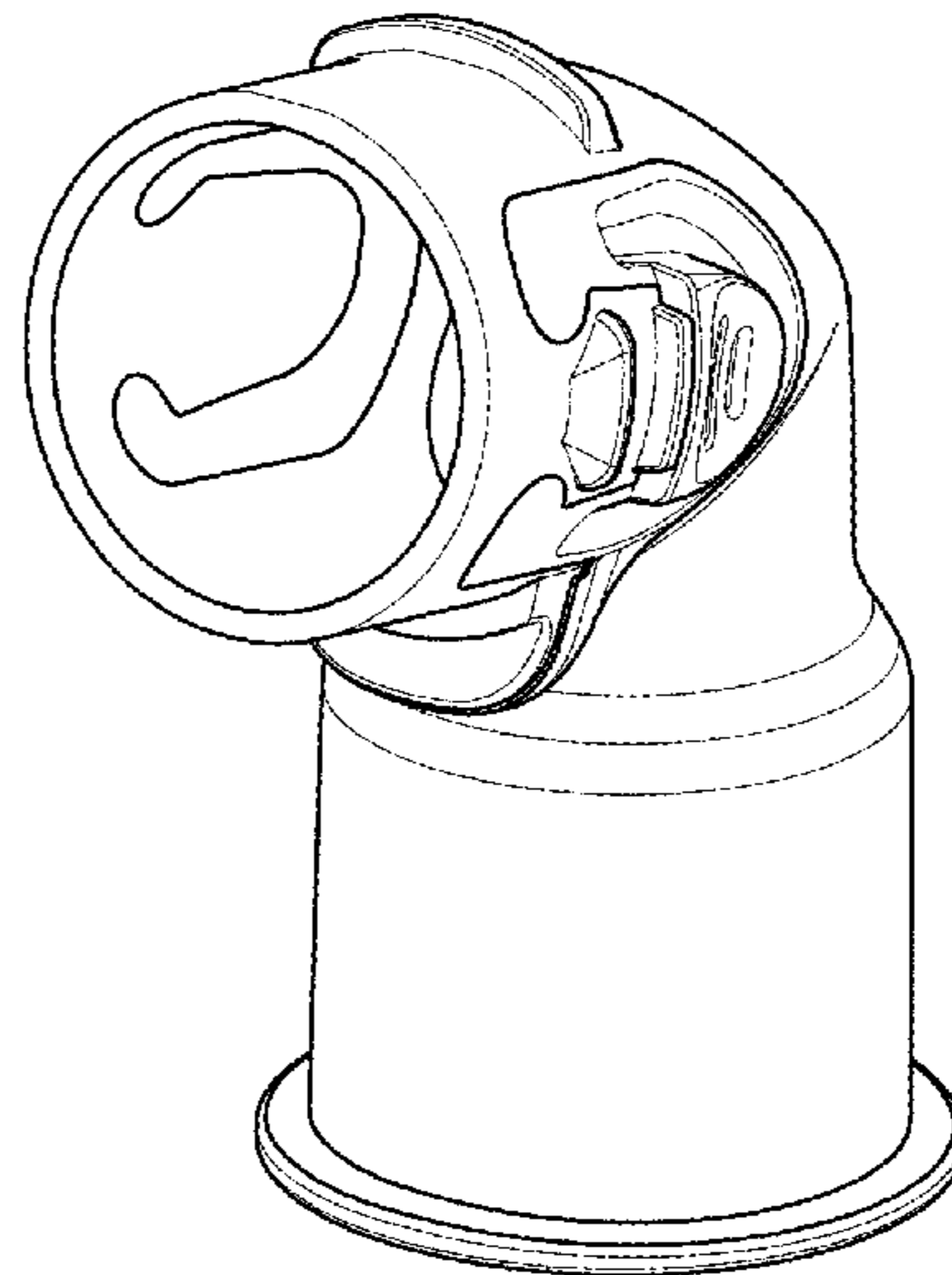
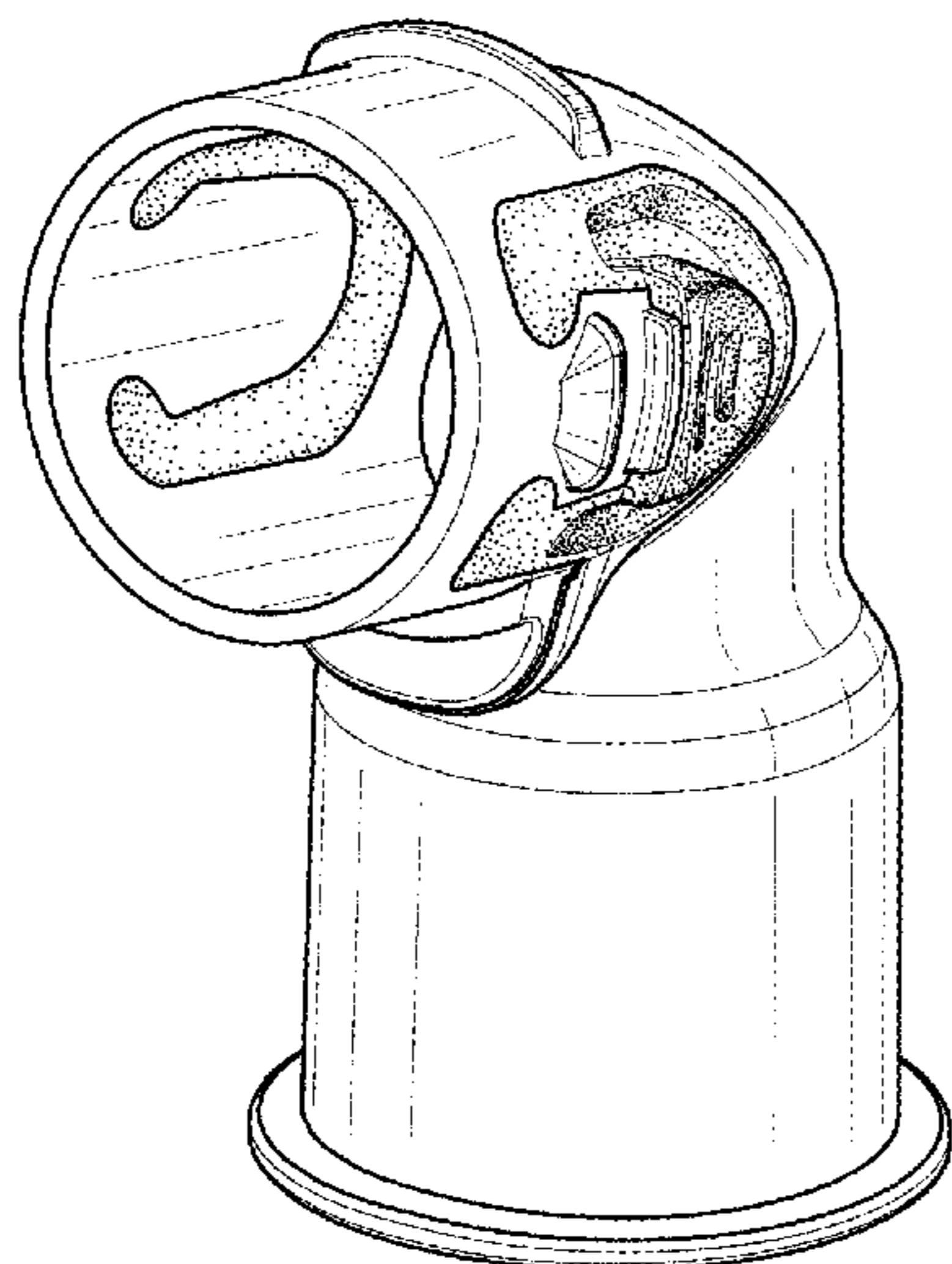
FIG. 14 is a right side view thereof;

FIG. 15 is a left side view thereof; and

FIG. 16 is a rear perspective view thereof.

Line shading and stippling have been used in the drawings to indicate a contrast in appearance.

1 Claim, 8 Drawing Sheets



US D808,008 S

Page 2

(56)

References Cited

U.S. PATENT DOCUMENTS

D769,440 S 10/2016 Amarasinghe et al.
D785,161 S * 4/2017 Dravitzki D24/110.4
2002/0023650 A1* 2/2002 Gunaratnam A61M 16/06
128/205.25
2004/0118406 A1* 6/2004 Lithgow A61M 16/06
128/206.24
2006/0042629 A1 3/2006 Geist
2006/0225740 A1 10/2006 Eaton
2006/0266365 A1 11/2006 Stallard
2007/0125385 A1* 6/2007 Ho A61M 16/06
128/206.26
2008/0047561 A1 2/2008 Fu
2008/0083412 A1* 4/2008 Henry A61M 16/0683
128/207.11
2013/0008448 A1 1/2013 Todd
2013/0228173 A1 9/2013 Busch
2013/0324788 A1 12/2013 Holley

2014/0026888 A1 1/2014 Matula, Jr.
2014/0083429 A1 3/2014 Rothermel
2014/0150800 A1 6/2014 Zeijlstra
2014/0261422 A1* 9/2014 Lang A61M 16/0051
128/204.21
2014/0261427 A1 9/2014 Foote
2014/0261435 A1 9/2014 Rothermel
2014/0264975 A1* 9/2014 Bath A61M 16/0051
261/141
2014/0290663 A1 10/2014 Rothermel
2014/0311496 A1 10/2014 Rothermel
2015/0000671 A1 1/2015 Frerichs
2015/0059755 A1* 3/2015 Bassin A61M 16/0633
128/204.23
2015/0128941 A1* 5/2015 Holley A61M 16/0051
128/203.14
2016/0045700 A1* 2/2016 Amarasinghe A61M 16/0666
128/205.25
2016/0239626 A1* 8/2016 Buckley A61M 16/00
2016/0256660 A1* 9/2016 Austin A61M 16/0627

* cited by examiner

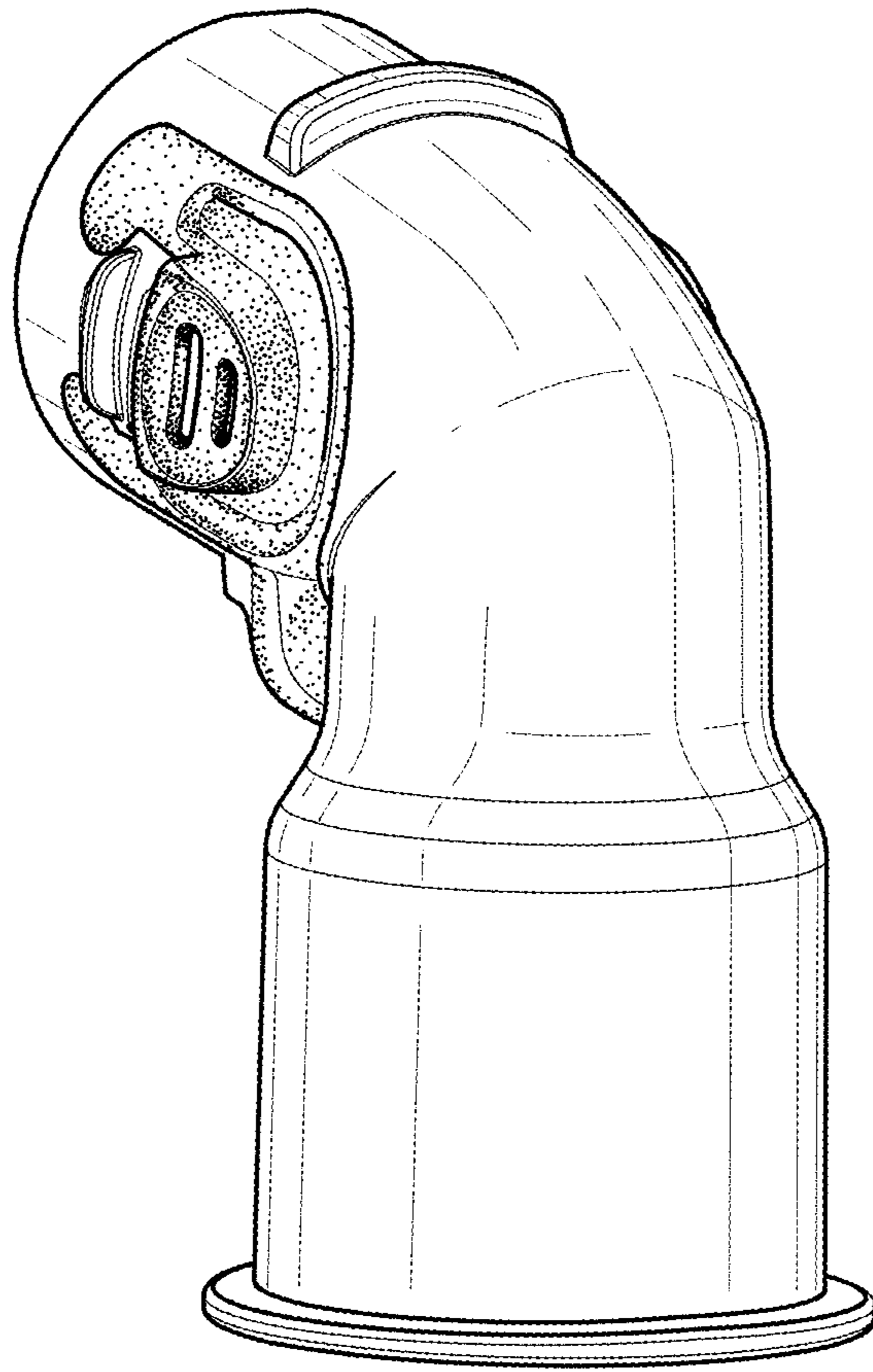


FIG. 1

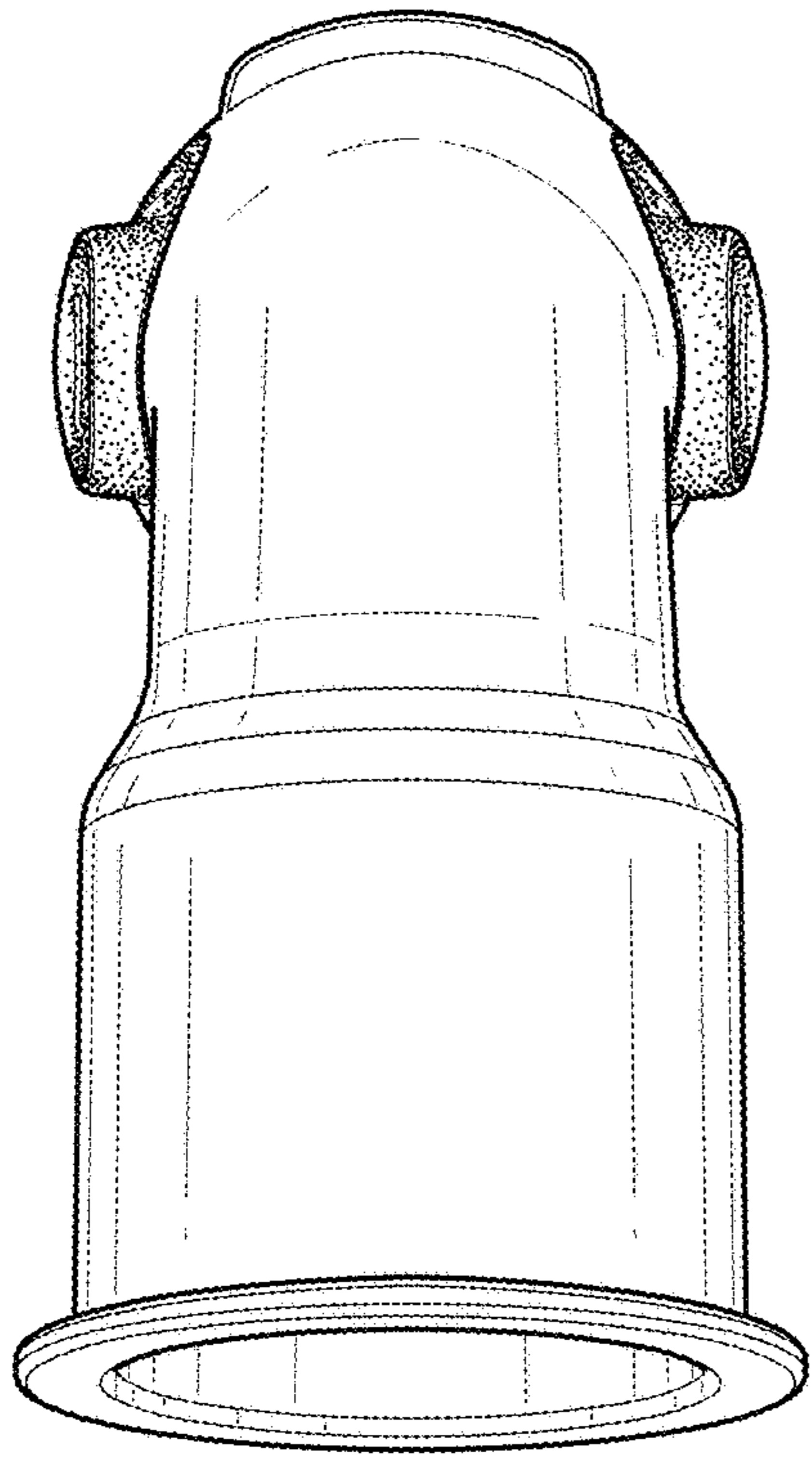


FIG. 2

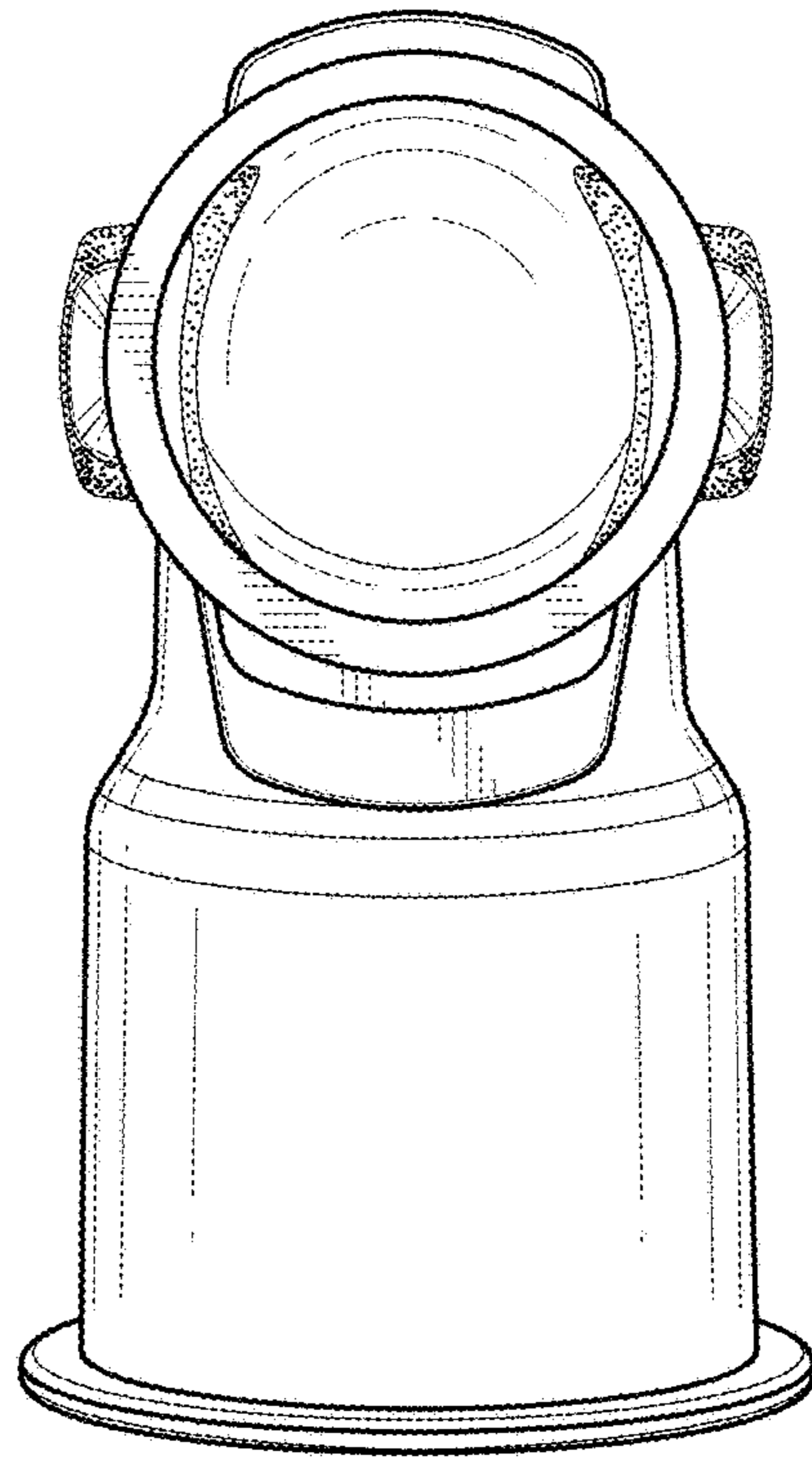


FIG. 3

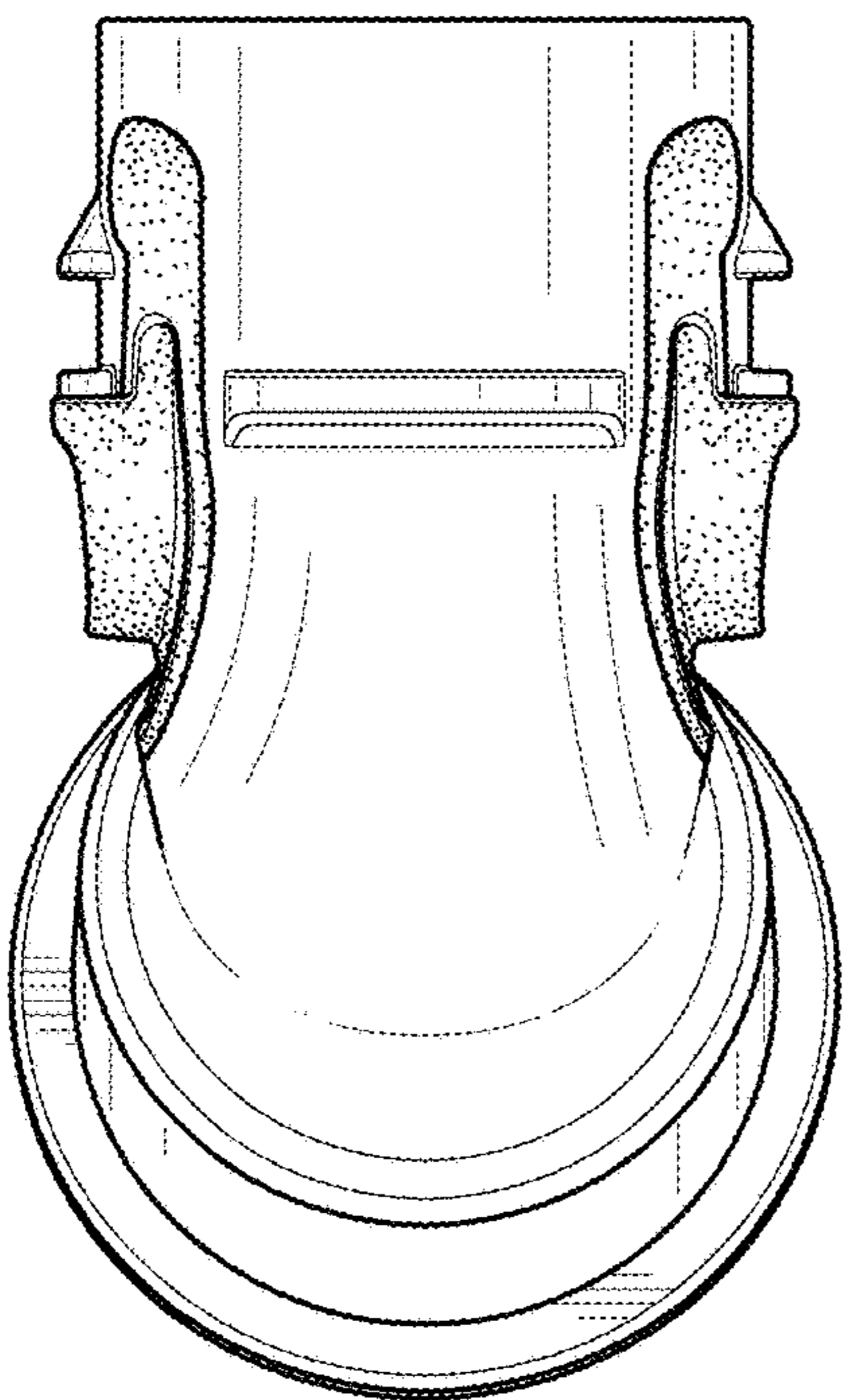


FIG. 4

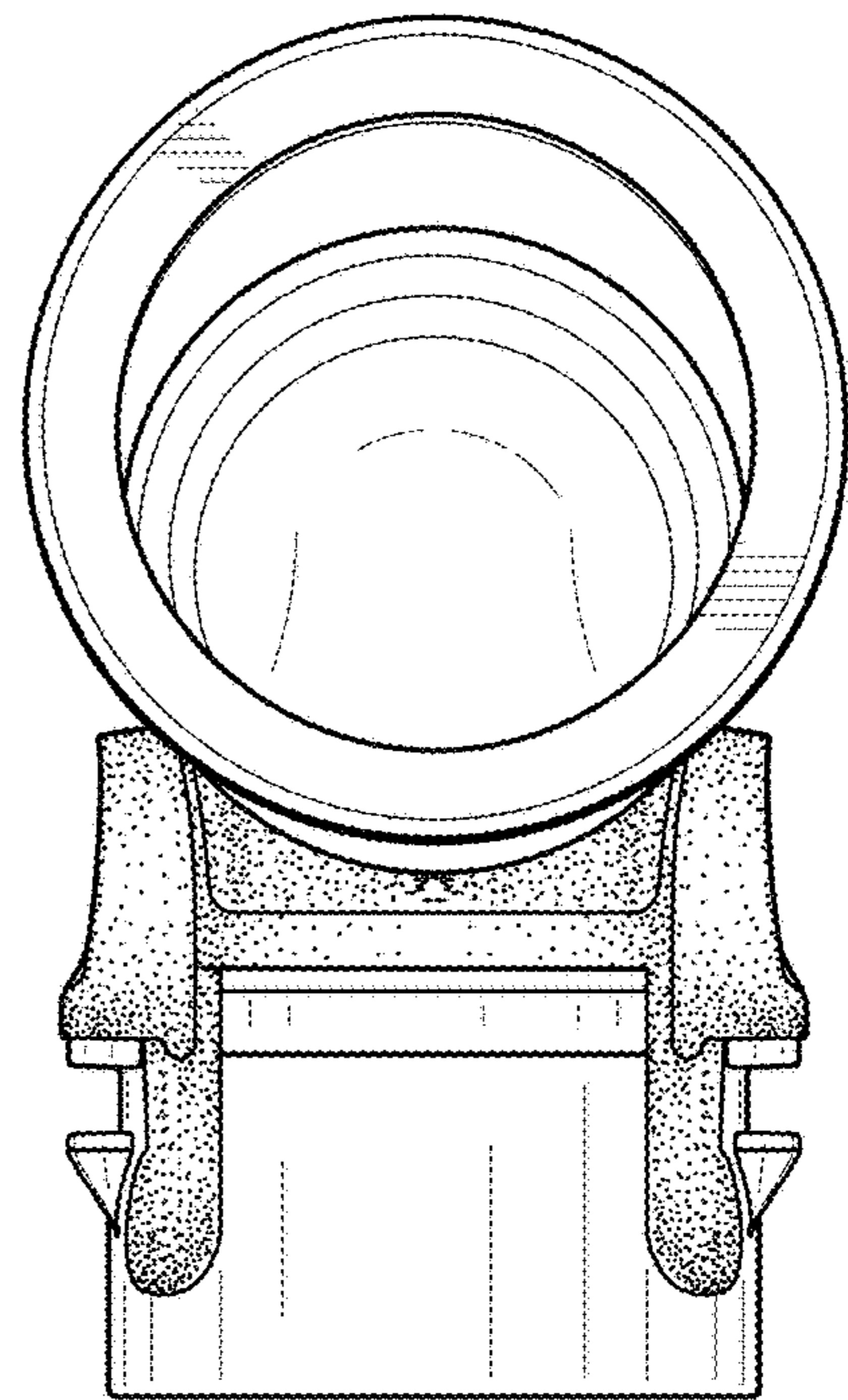


FIG. 5

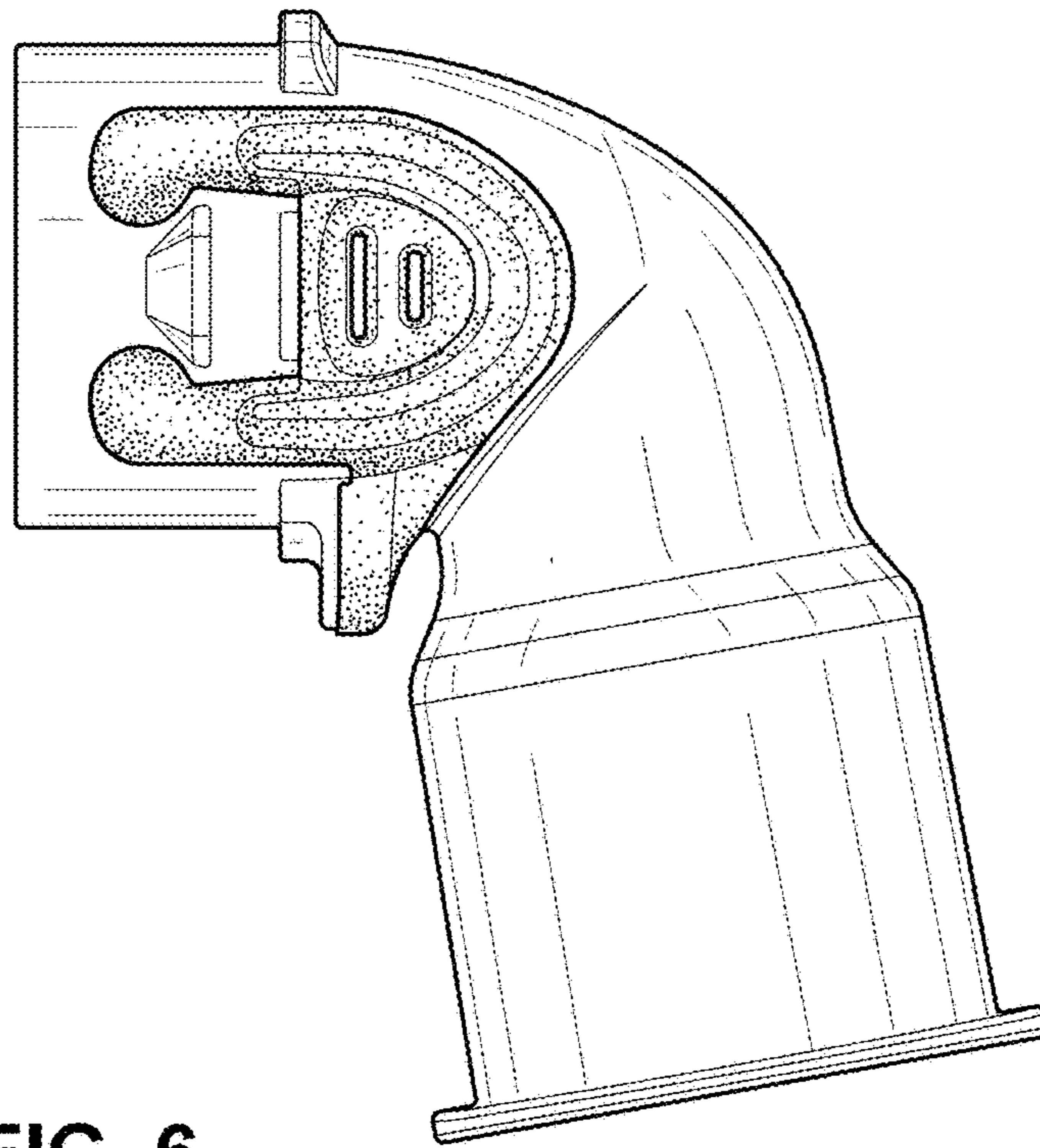


FIG. 6

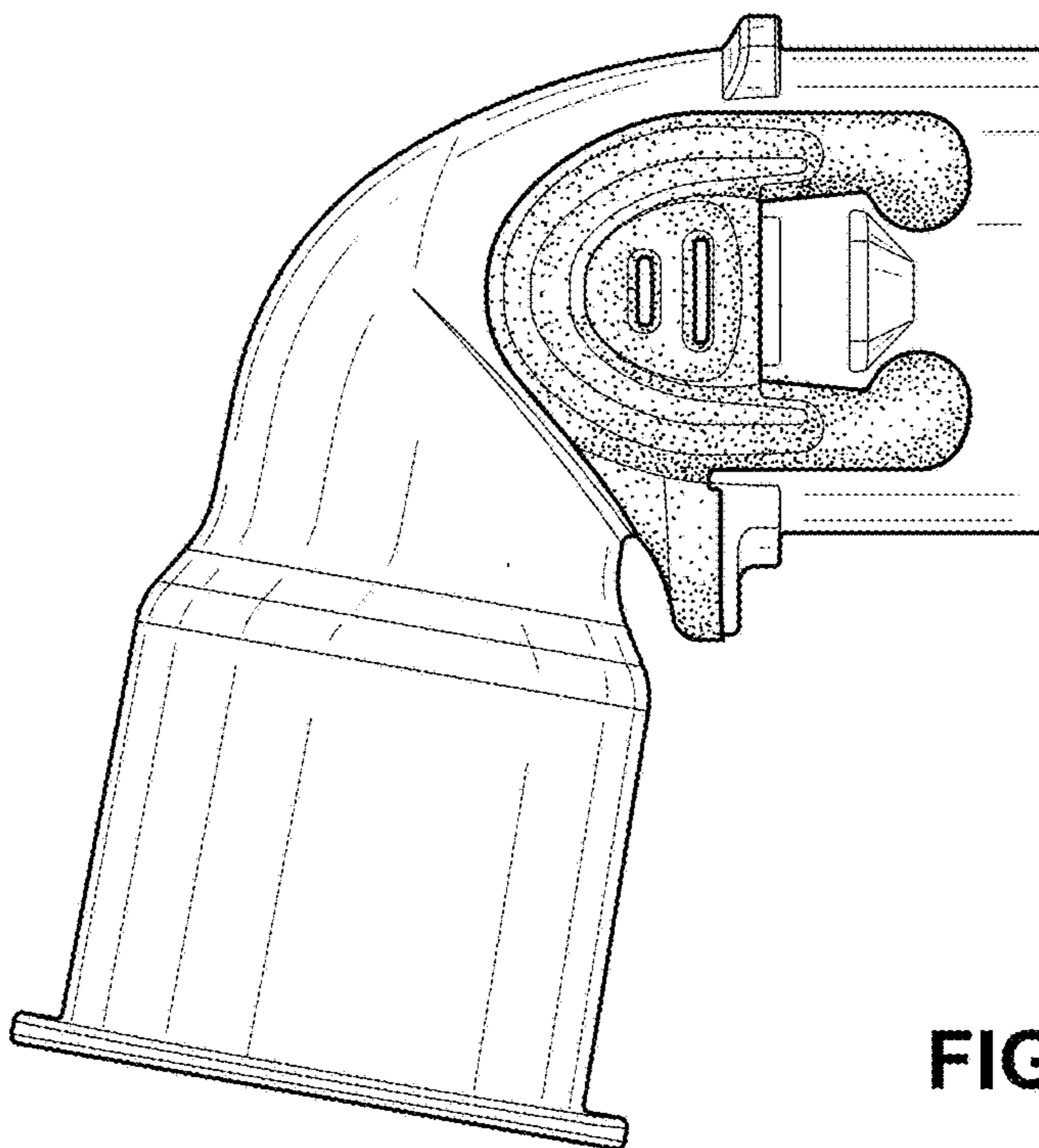


FIG. 7

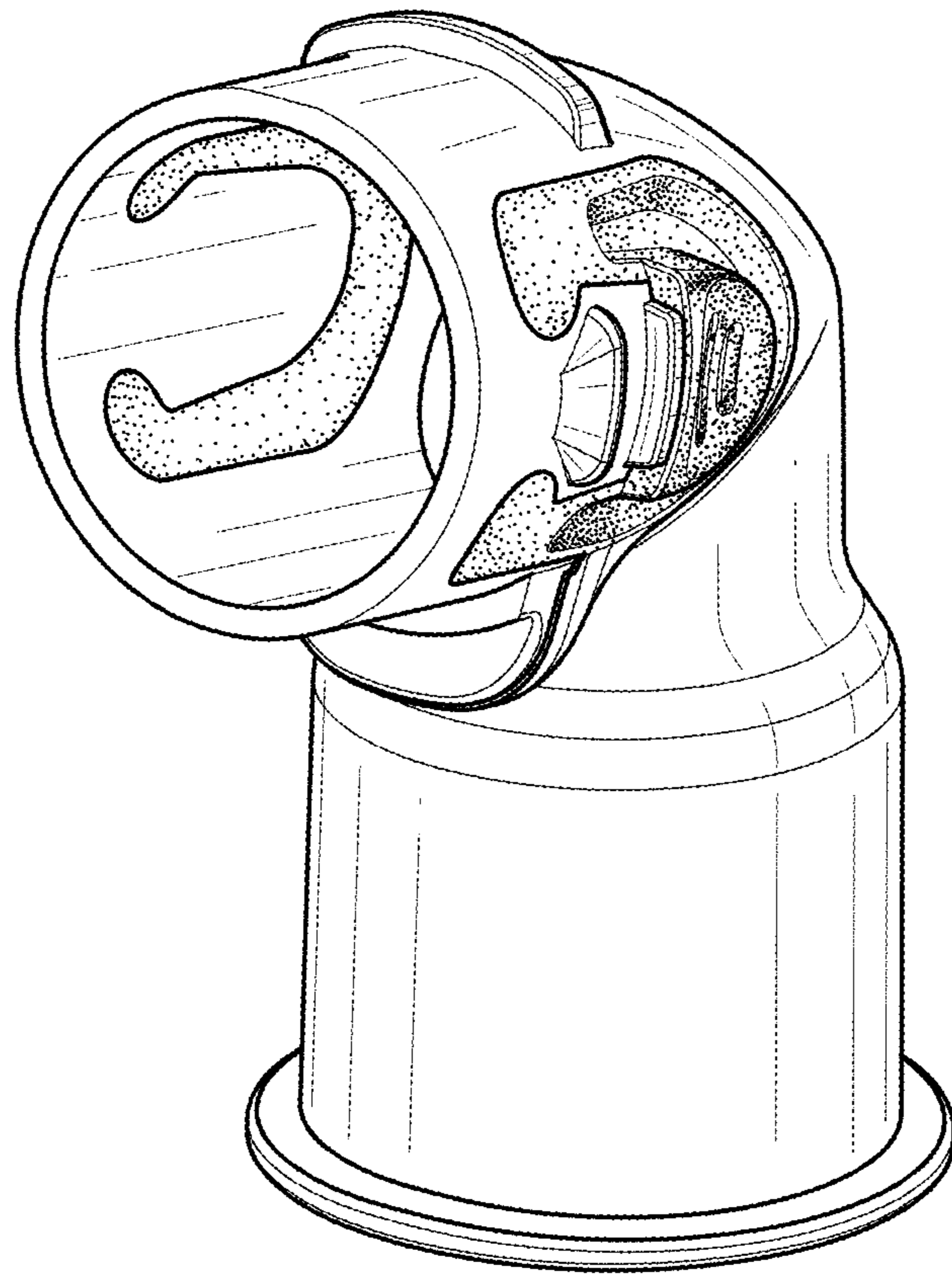


FIG. 8

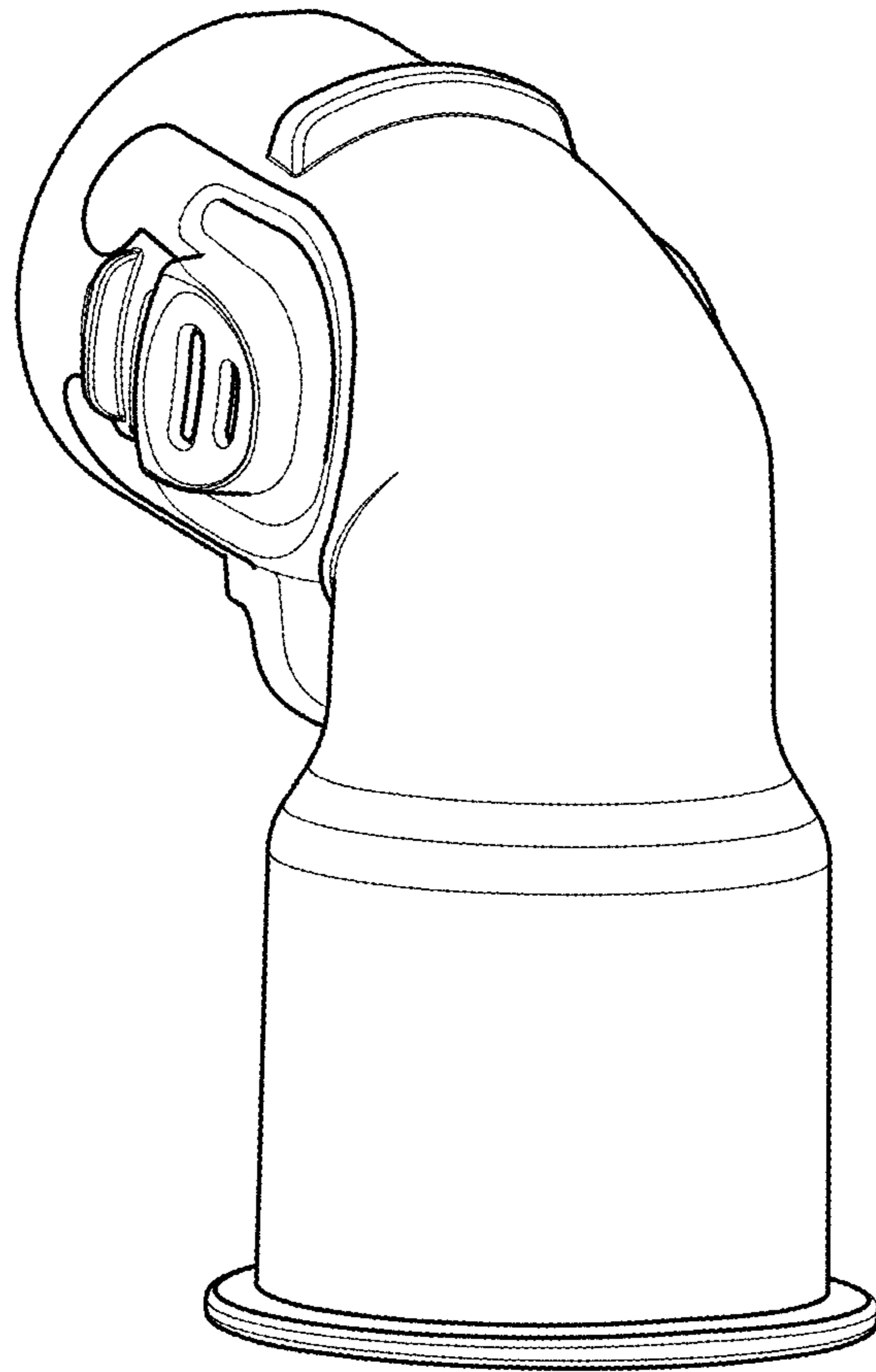


FIG. 9

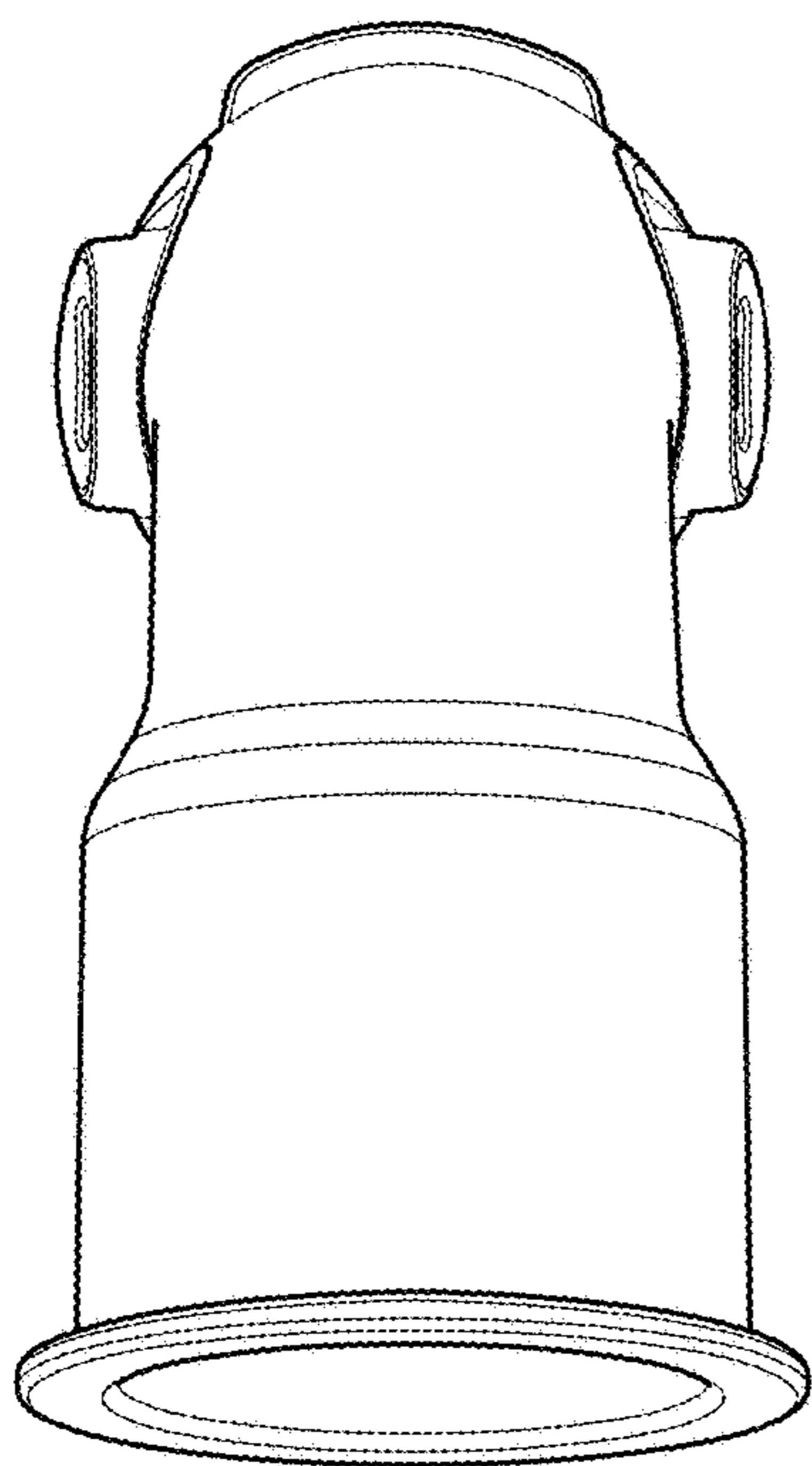


FIG. 10

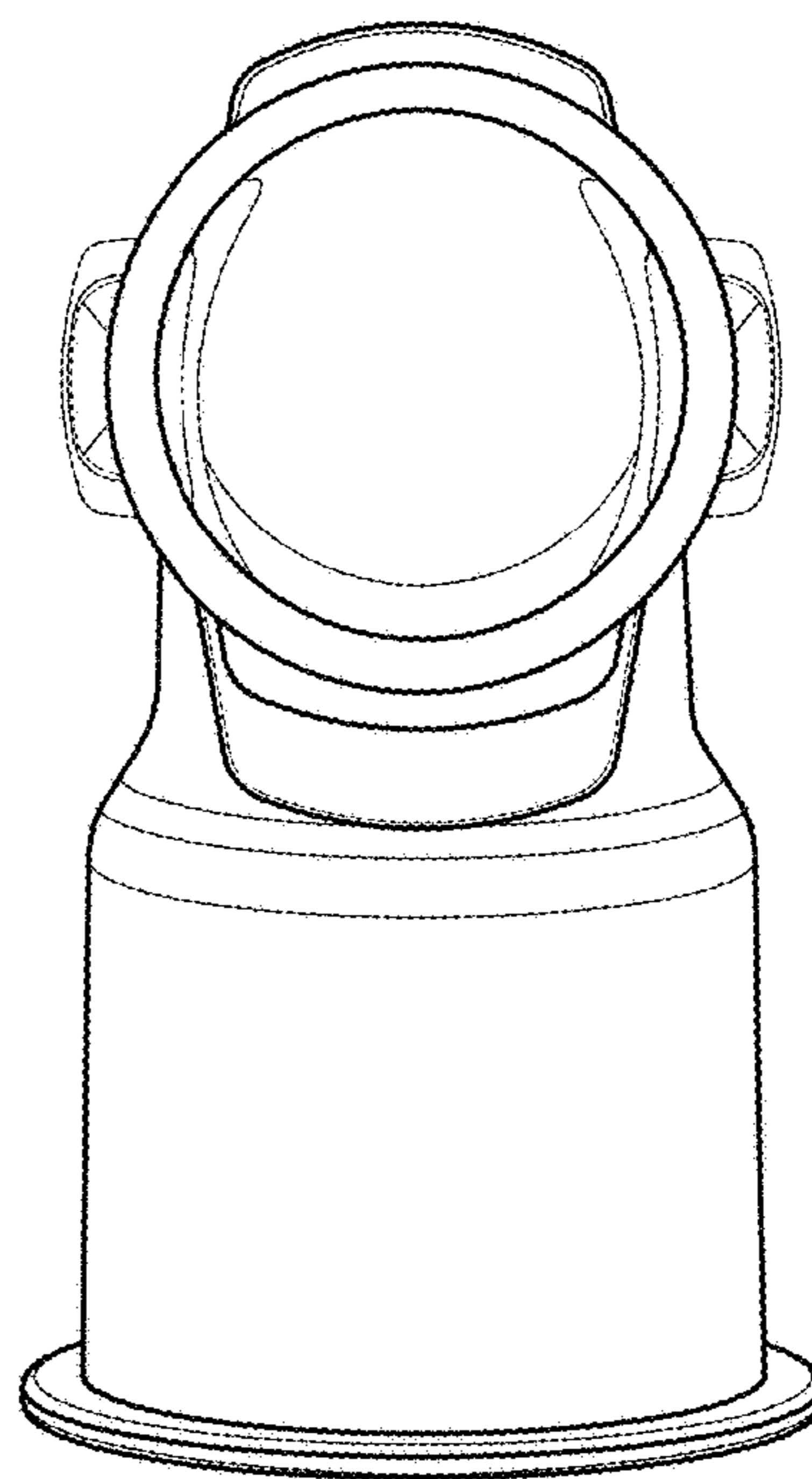


FIG. 11

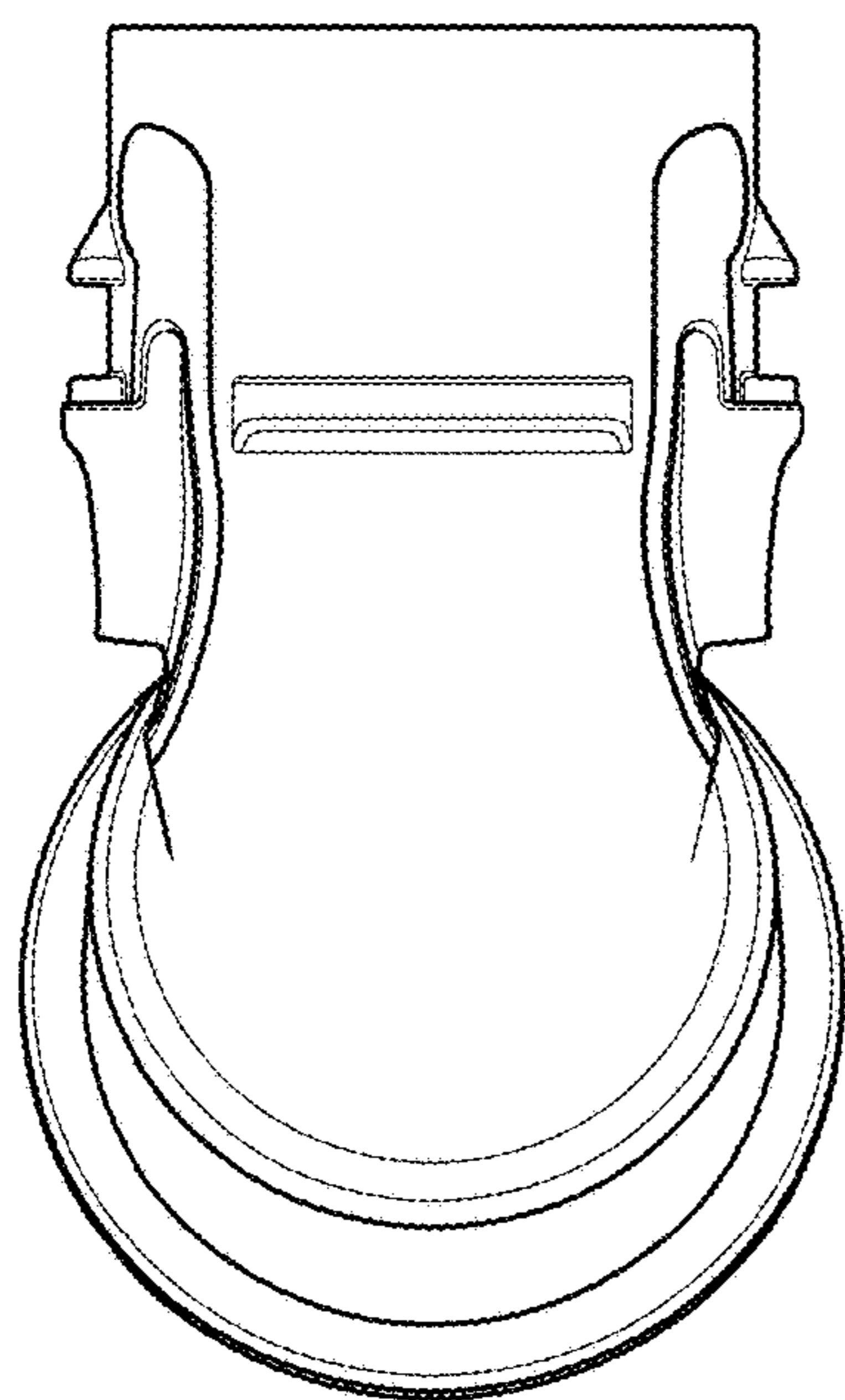


FIG. 12

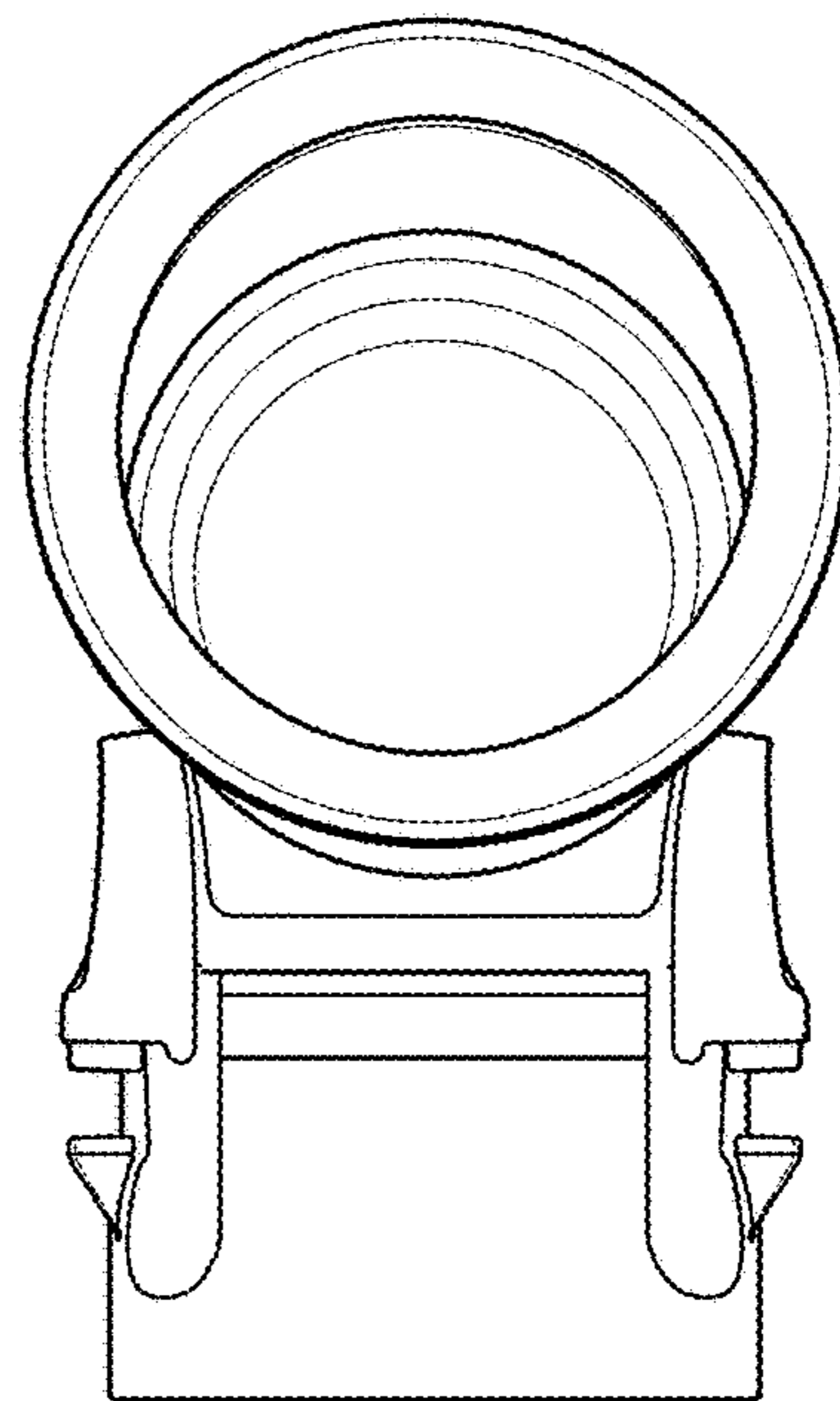


FIG. 13

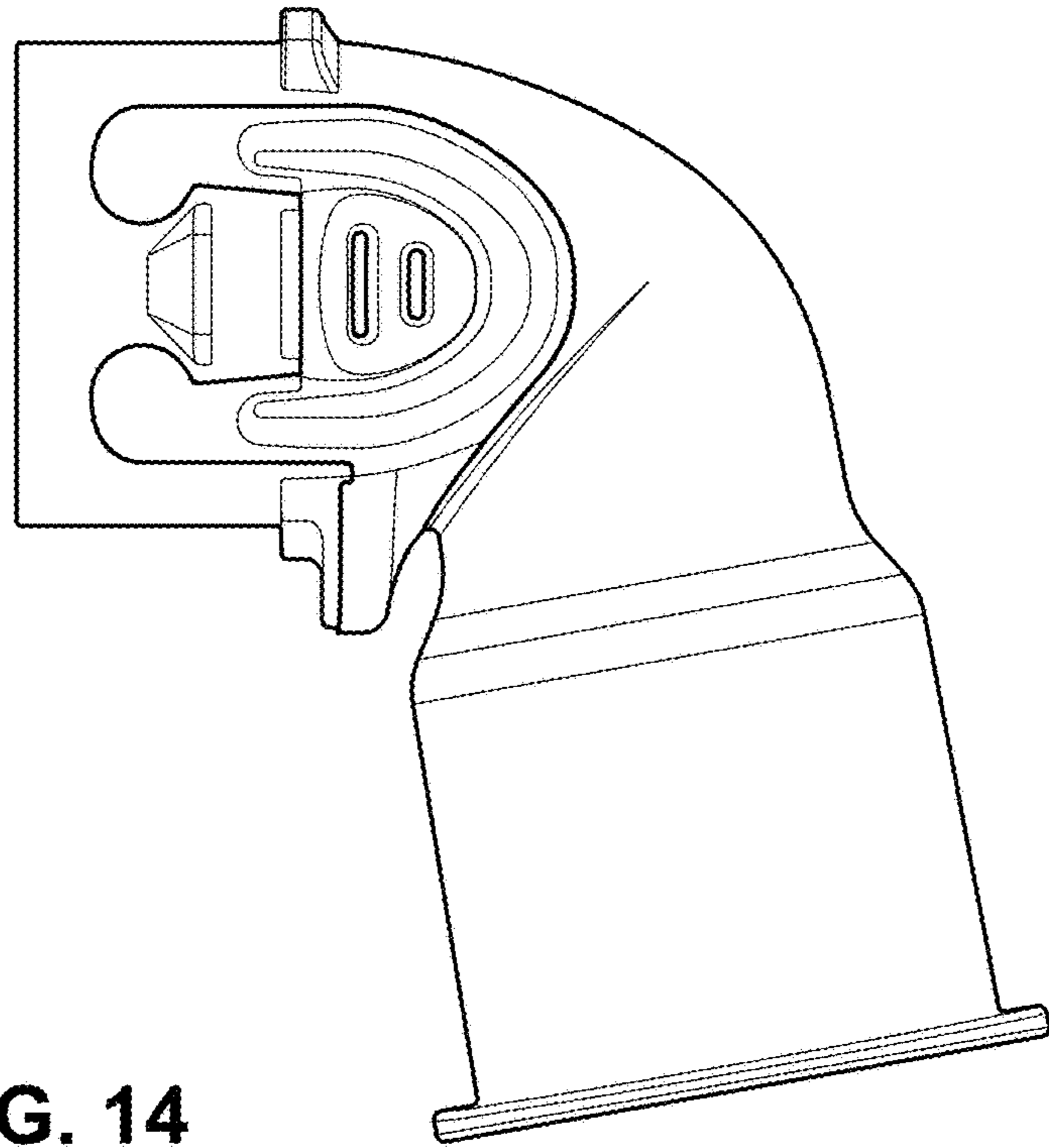


FIG. 14

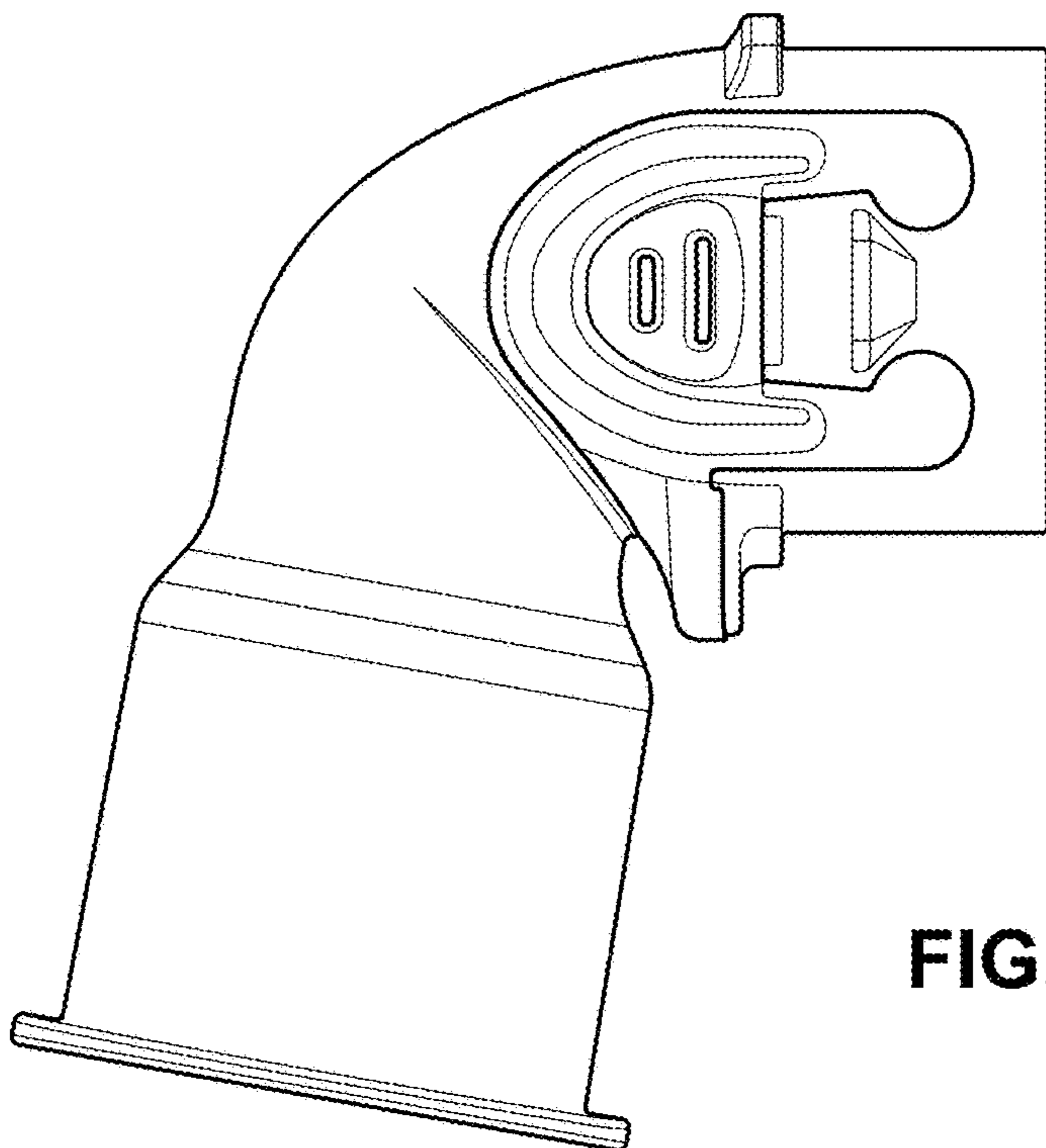


FIG. 15

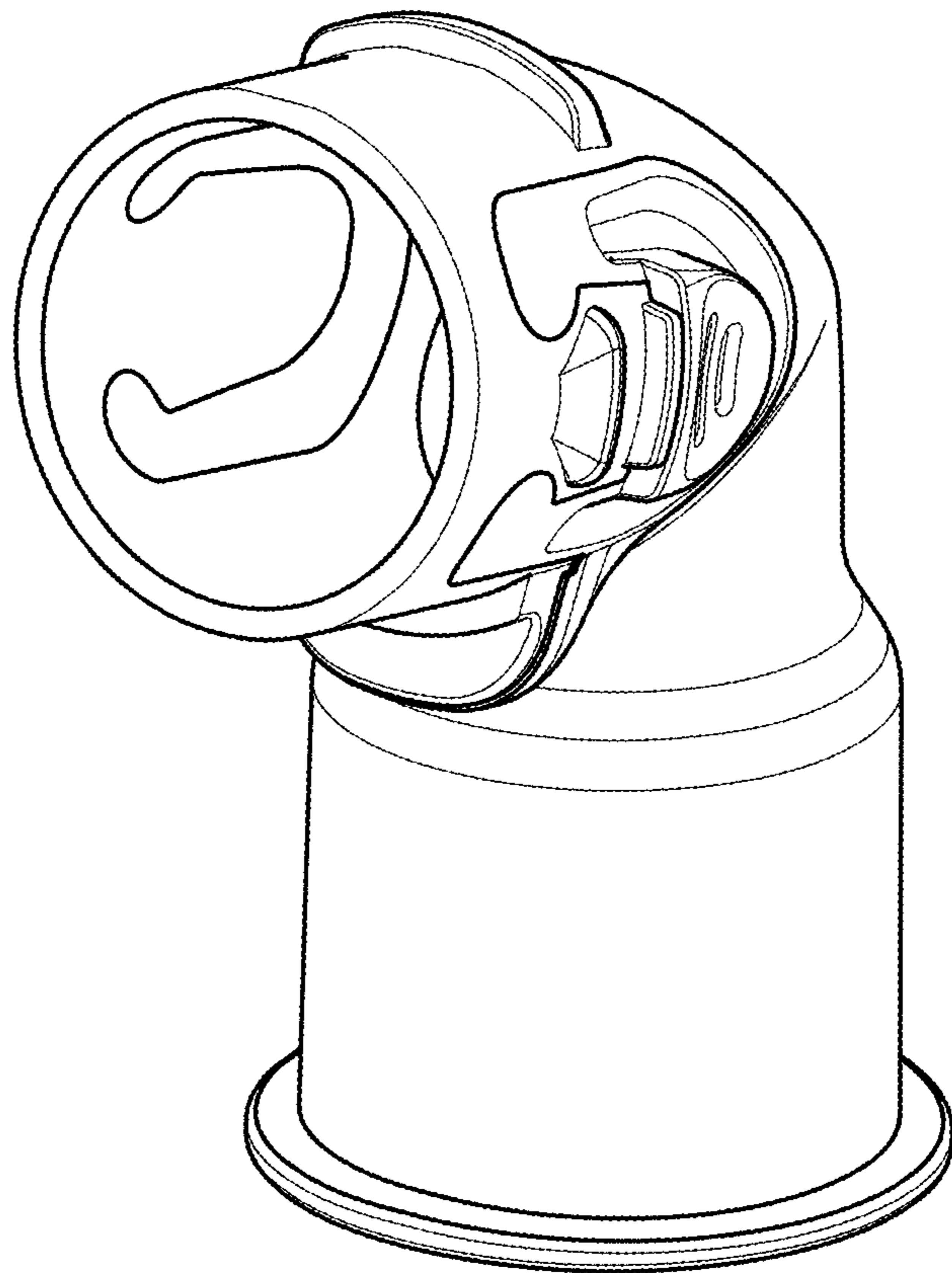


FIG. 16