



US00D808005S

(12) **United States Design Patent**
Peretz et al.

(10) **Patent No.:** **US D808,005 S**
(45) **Date of Patent:** **** Jan. 16, 2018**

(54) **MEDICAL DEVICE**
(71) Applicant: **Q-Core Medical Ltd.**, Netanya (IL)
(72) Inventors: **Shai Peretz**, Tel Aviv (IL); **Felix Kolderar**, Tel Aviv (IL)
(73) Assignee: **Q-core Medical Ltd.**, Netanya (IL)
(**) Term: **15 Years**

D780,743 S * 3/2017 Chun D14/447
D799,025 S * 10/2017 Johnson D24/111
2008/0272254 A1* 11/2008 Harr A61M 5/1415
248/218.4
2011/0178476 A1* 7/2011 Lin A61M 5/1411
604/253
2014/0227021 A1* 8/2014 Kamen A61M 5/1414
403/14
2015/0090845 A1* 4/2015 Trelford A61M 5/1415
248/68.1
2015/0157791 A1* 6/2015 Desch A61M 5/1415
604/506

(21) Appl. No.: **29/598,966**
(22) Filed: **Mar. 30, 2017**
(51) **LOC (11) Cl.** **24-02**
(52) **U.S. Cl.**
USPC **D24/108**; D24/169
(58) **Field of Classification Search**
USPC D24/107, 108, 111, 112, 169, 186, 231,
D24/185, 128; D14/447, 434, 451, 452,
D14/457; D6/406.3, 406.4, 406.5, 406.6
CPC A61M 5/1413; A61M 5/16854; A61M
5/142; A61M 2005/1587; A61M
2005/14208; A61M 5/1415; A61B 5/4839
See application file for complete search history.

OTHER PUBLICATIONS

Multi Pump Mounting System. Q-Core Medical. Available in 2016.*

* cited by examiner

Primary Examiner — Anhdao Doan
(74) *Attorney, Agent, or Firm* — Eitan, Mehulal & Sadot

(57) **CLAIM**

The ornamental design for a medical device, as shown and described.

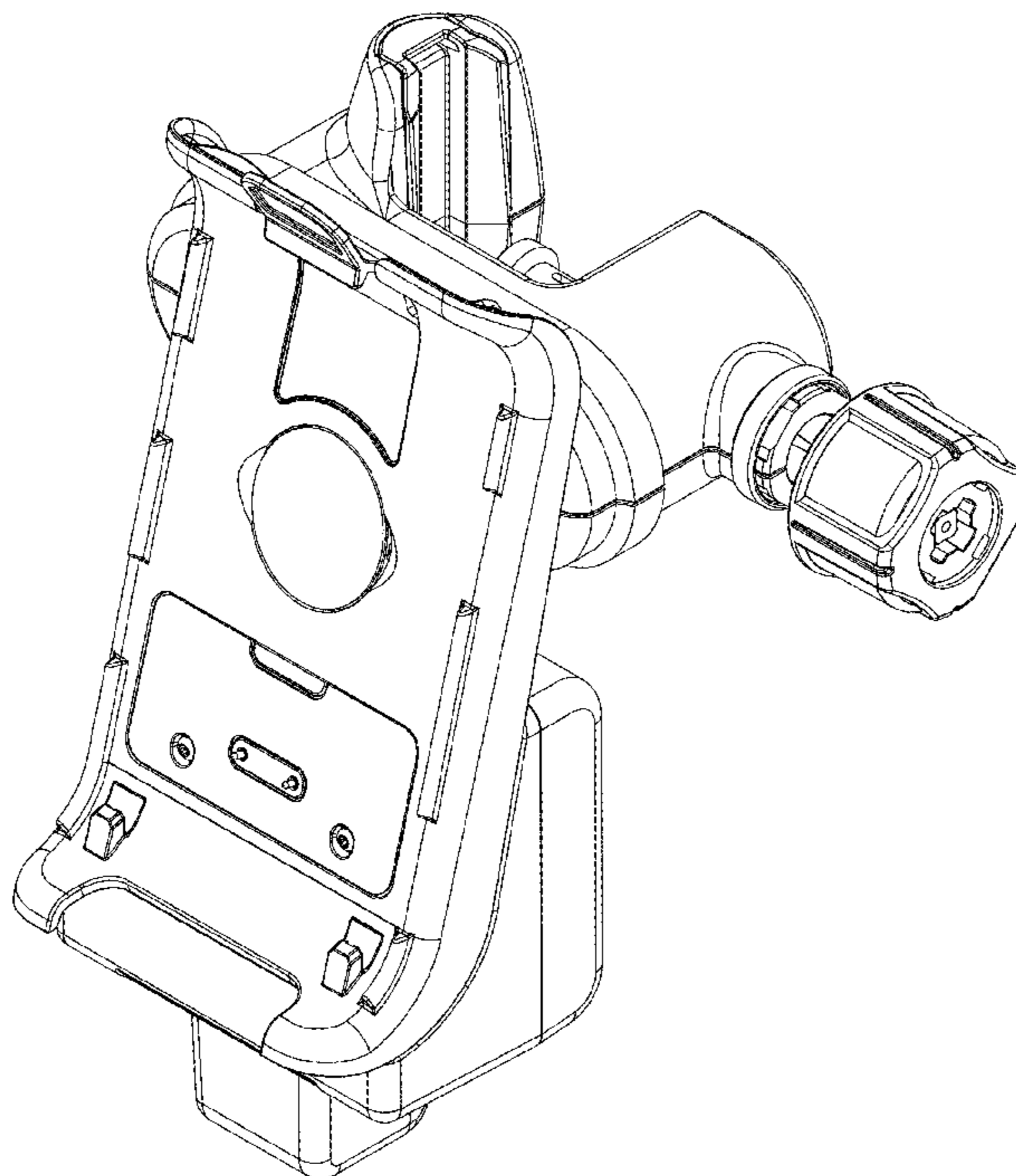
DESCRIPTION

FIG. 1 is a perspective view of the medical device;
FIG. 2 is another perspective view thereof;
FIG. 3 is another perspective view thereof;
FIG. 4 is a front view thereof;
FIG. 5 is a rear view thereof;
FIG. 6 is a right side view thereof;
FIG. 7 is a left side view thereof;
FIG. 8 is a top view thereof; and,
FIG. 9 is a bottom view thereof.

1 Claim, 9 Drawing Sheets

(56) **References Cited**
U.S. PATENT DOCUMENTS

6,481,679 B1* 11/2002 Bennett A61M 5/1415
248/223.41
D711,005 S * 8/2014 Purdy D24/186
D746,470 S * 12/2015 Kobayashi D24/169
D752,209 S * 3/2016 Peret D24/111
D753,126 S * 4/2016 Alesi D14/447
D762,300 S * 7/2016 Breitweiser D24/128



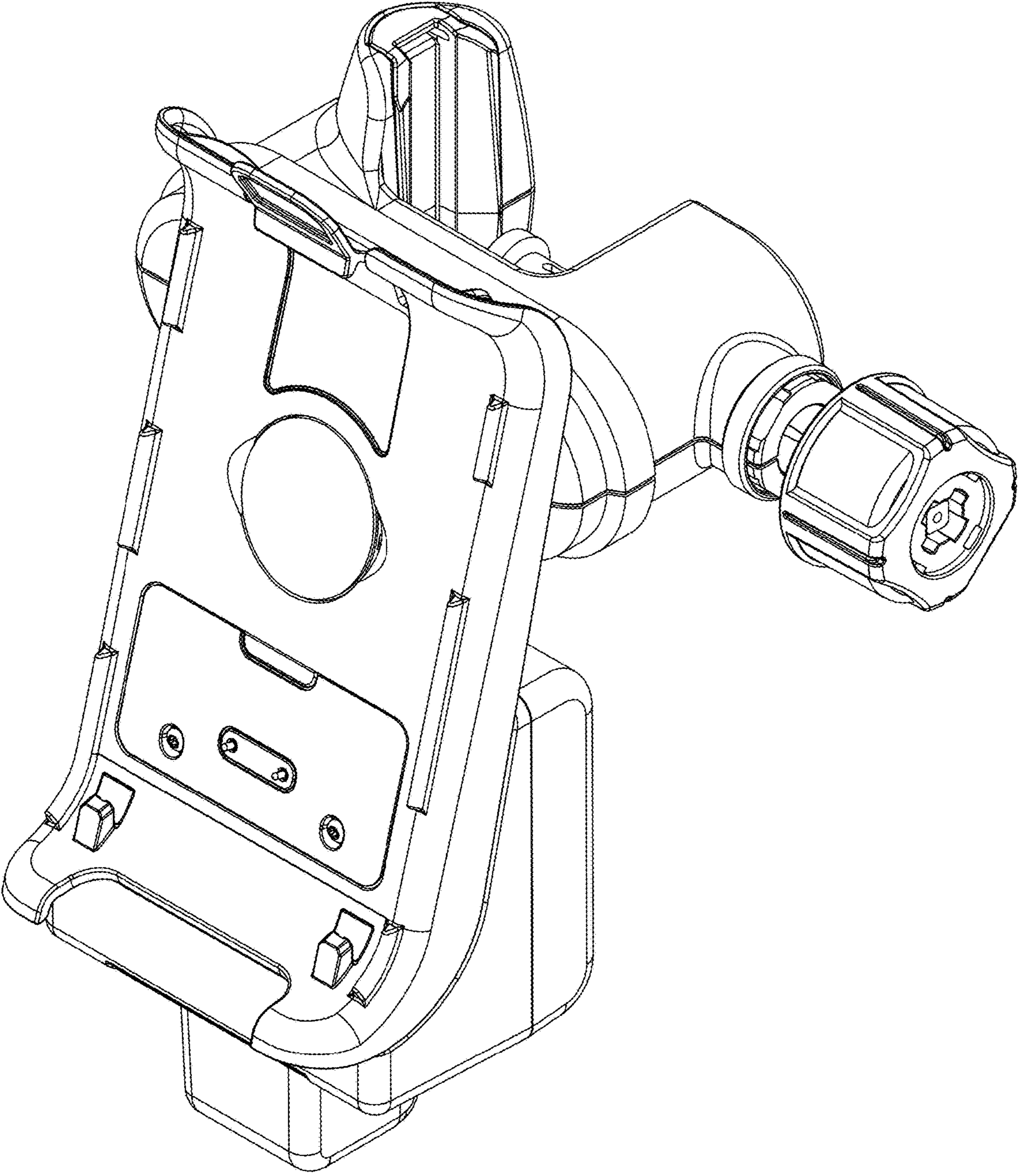


FIG.1

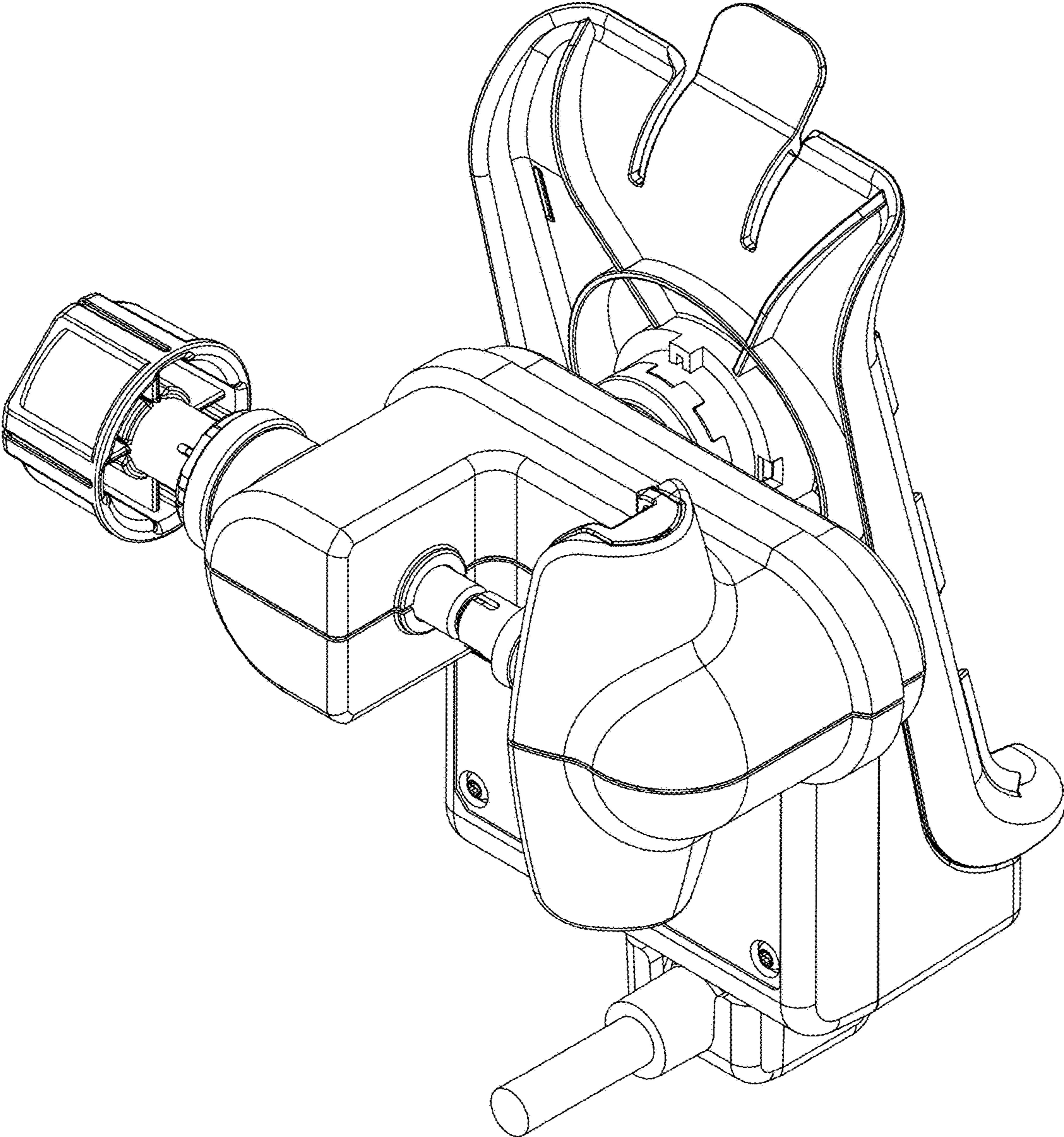


FIG.2

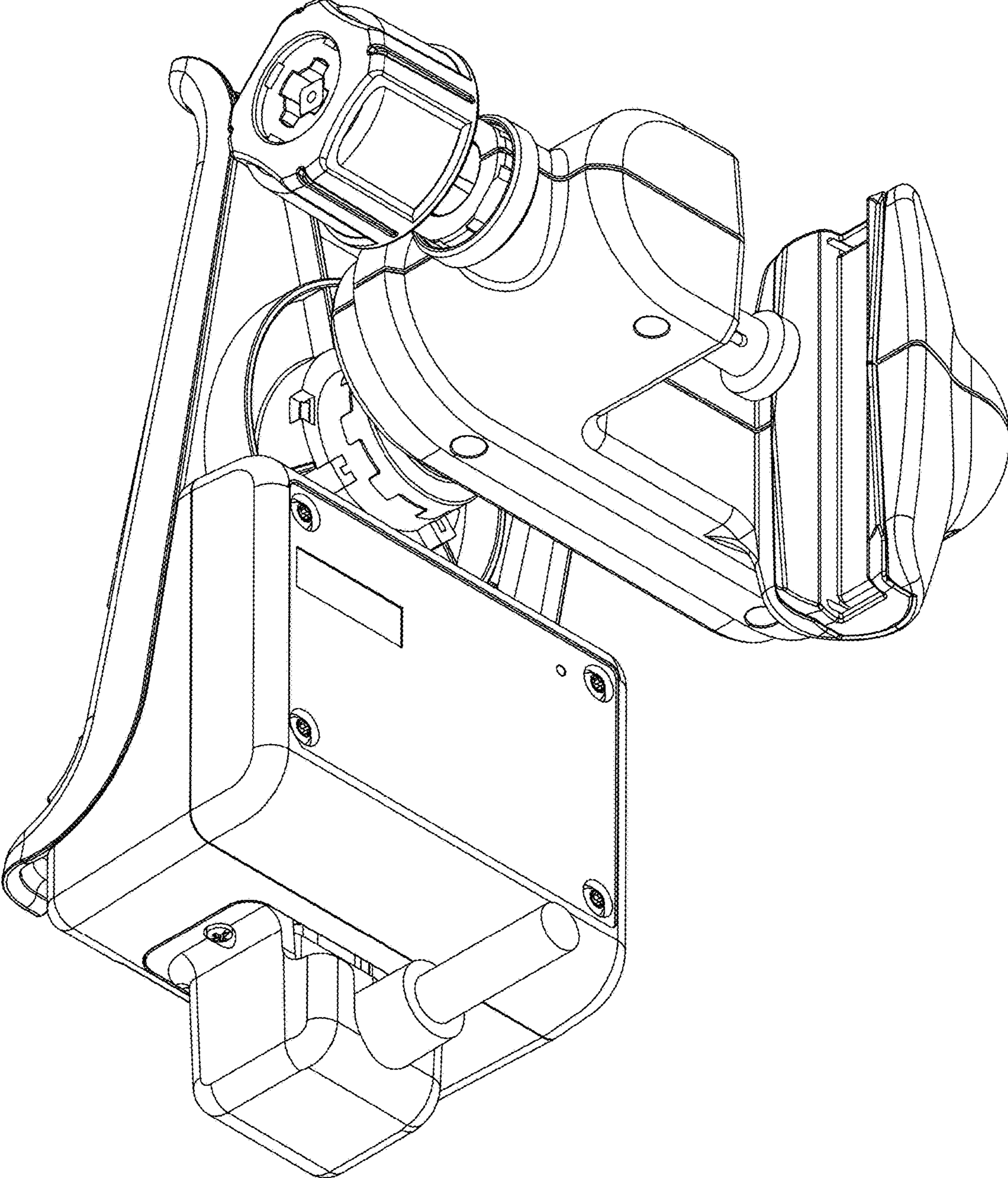


FIG.3

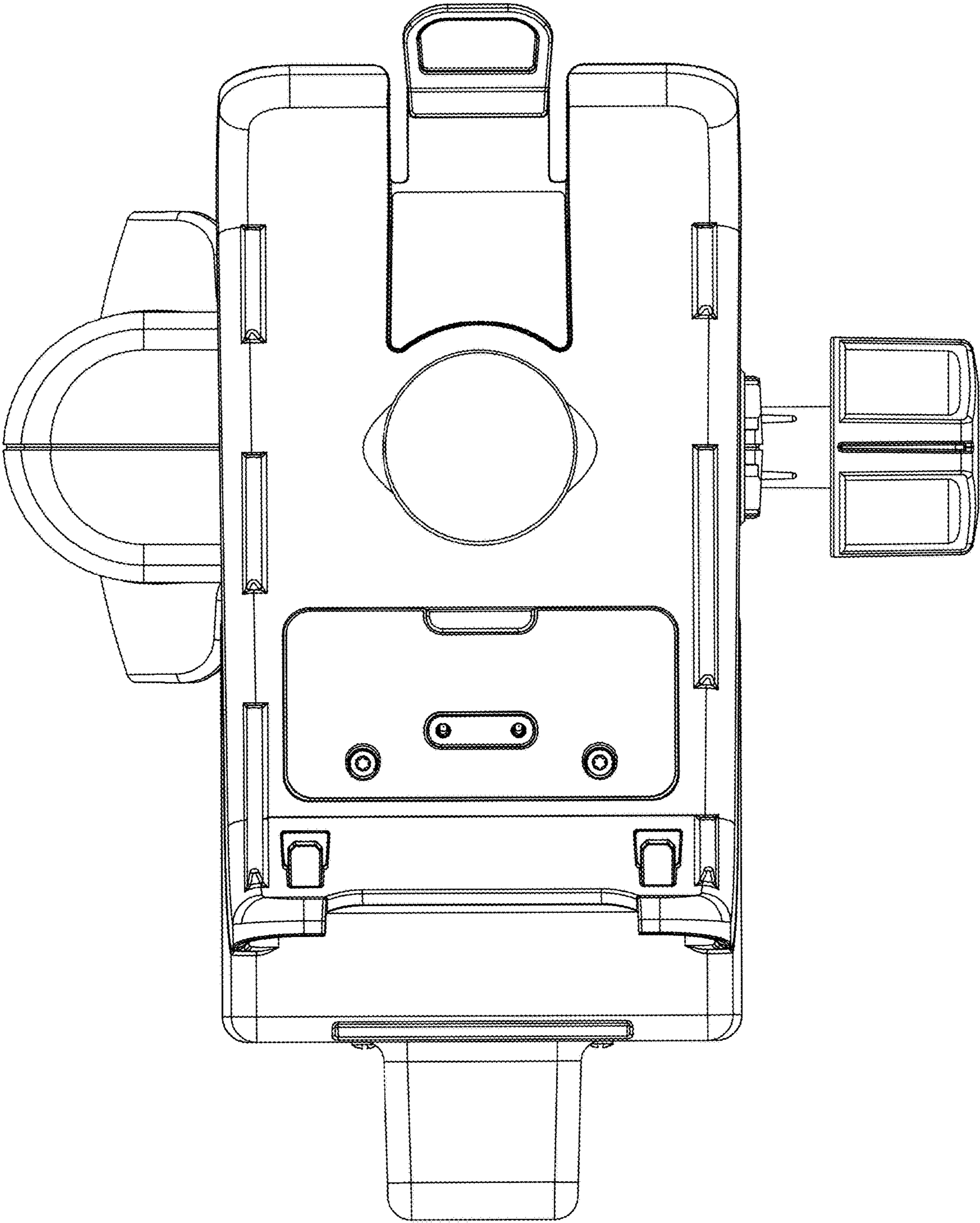


FIG. 4

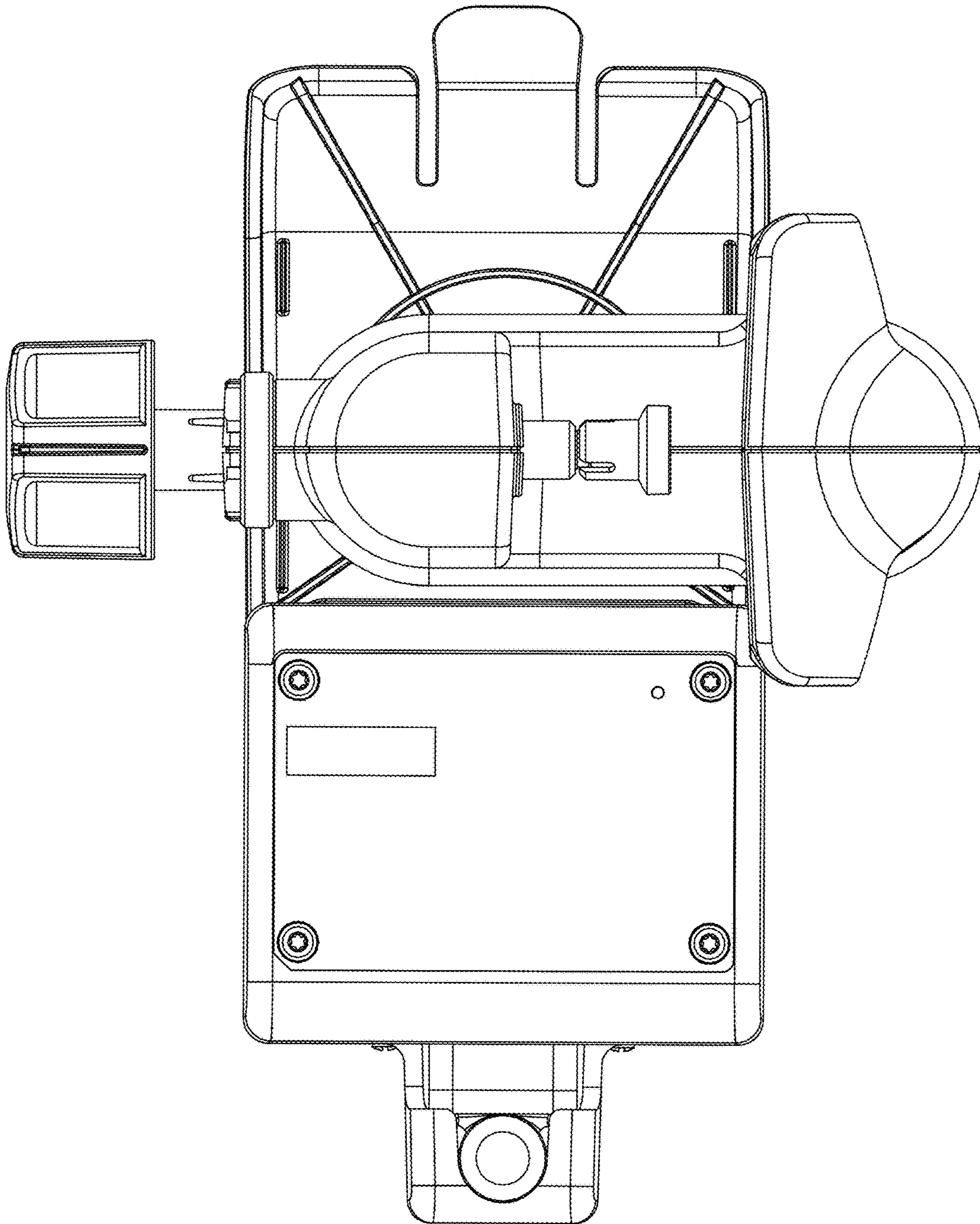


FIG. 5

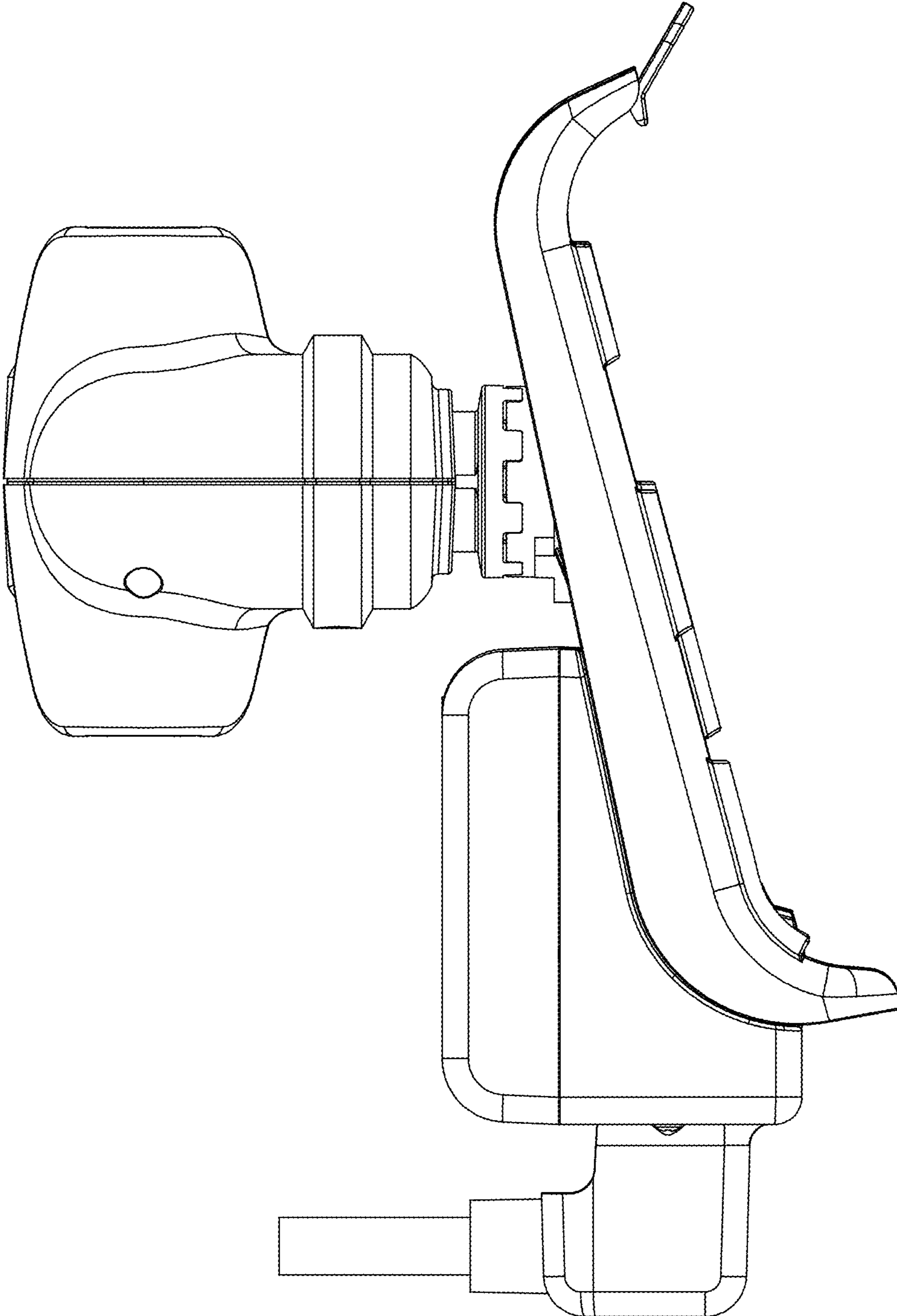


FIG.6

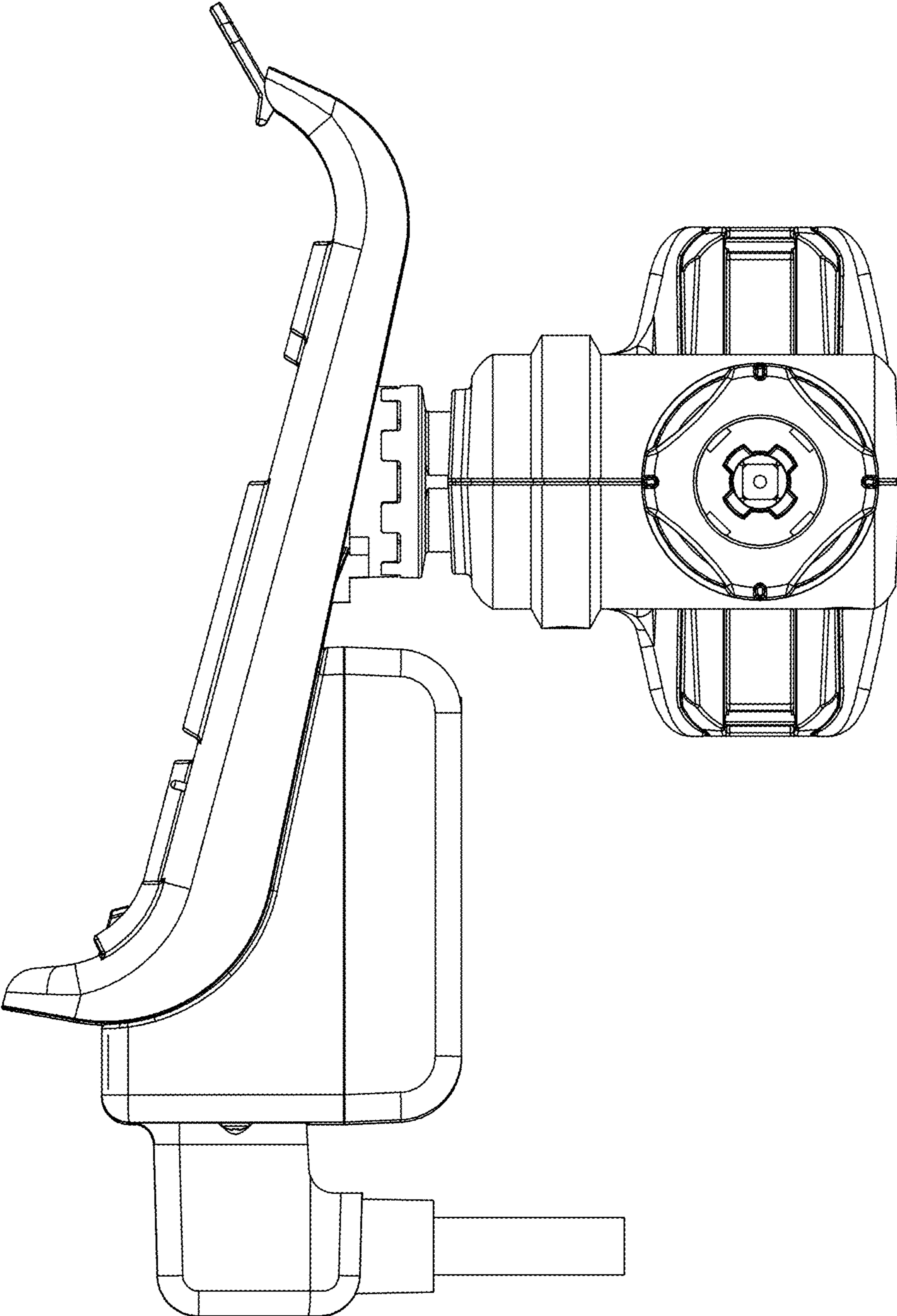


FIG. 7

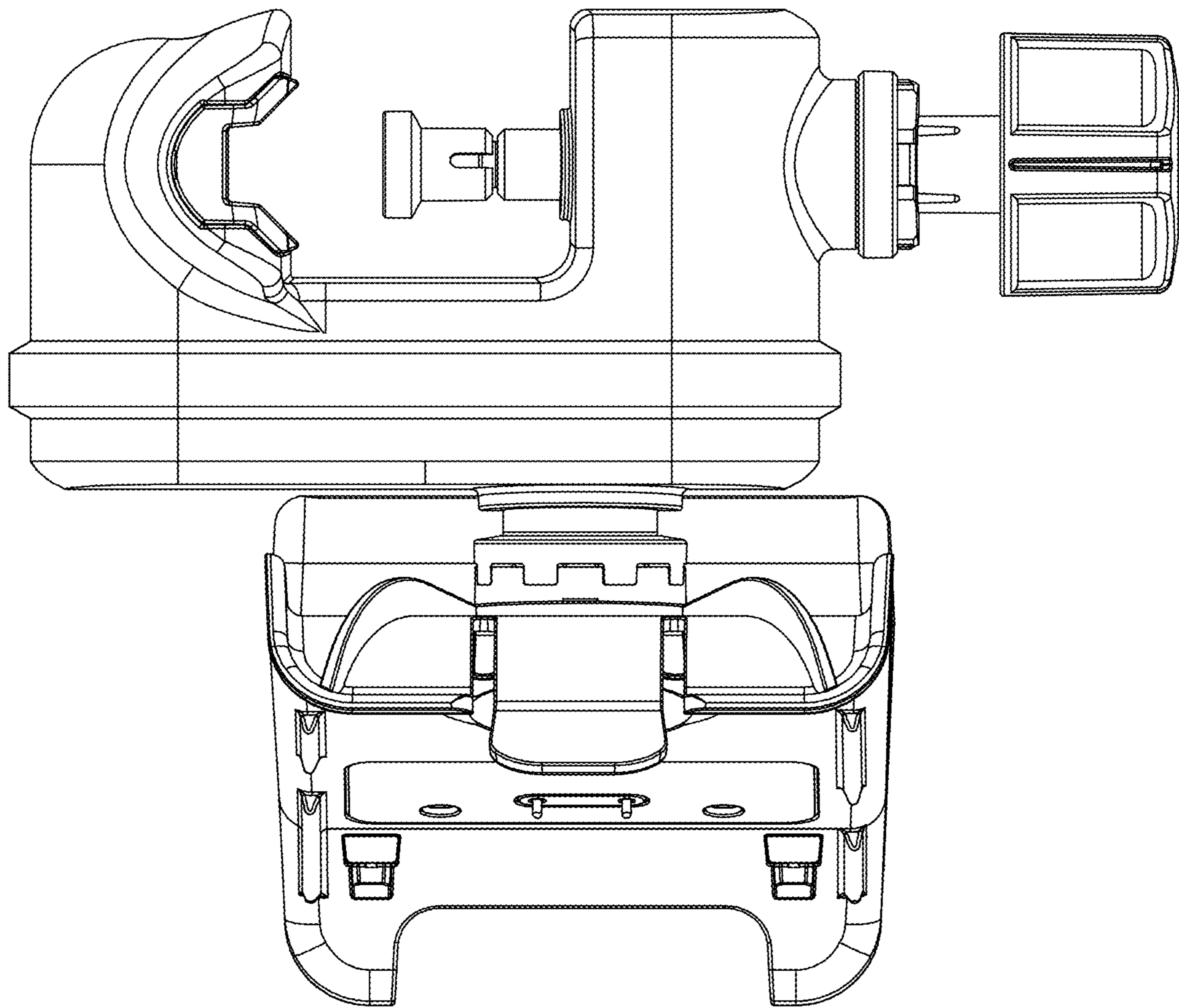


FIG. 8

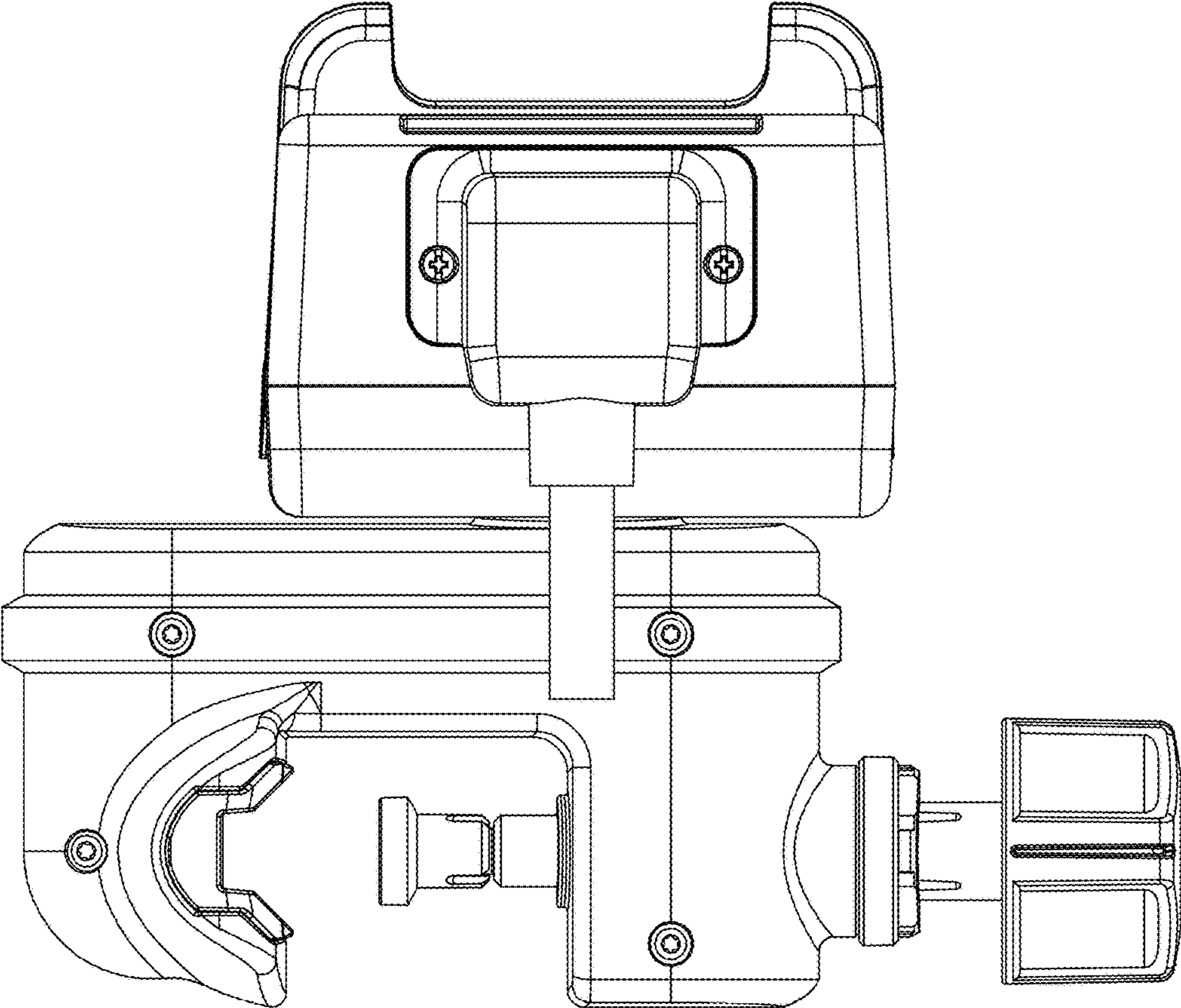


FIG. 9