



US00D808002S

(12) **United States Design Patent** (10) **Patent No.:** **US D808,002 S**
Holmes (45) **Date of Patent:** **** Jan. 16, 2018**

(54) CEILING FAN	D517,197 S	3/2006	Pickett	
	D517,675 S *	3/2006	Young	D23/377
(71) Applicant: HUNTER FAN COMPANY, Memphis, TN (US)	D521,625 S *	5/2006	Young	D23/377
	D555,239 S	11/2007	Shurtleff	
	D574,945 S	8/2008	Hidalgo	
(72) Inventor: Christine Holmes, Memphis, TN (US)	D704,819 S	5/2014	Wang	
	D704,822 S	5/2014	Wang	
(73) Assignee: Hunter Fan Company, Memphis, TN (US)	D710,489 S *	8/2014	Shurtleff	D23/377
	D732,157 S *	6/2015	Lin	D23/377

(Continued)

(**) Term: **15 Years**

(21) Appl. No.: **29/588,573**

(22) Filed: **Dec. 21, 2016**

(51) **LOC (11) Cl.** **23-04**

(52) **U.S. Cl.**
USPC **D23/377; D23/385**

(58) **Field of Classification Search**
USPC D23/370, 377, 379, 385, 411; D26/59
CPC F04D 25/088; F21V 33/0096
See application file for complete search history.

(56) **References Cited**

U.S. PATENT DOCUMENTS

D298,454 S	11/1988	Clyde-Mason	
D325,776 S	4/1992	Scofield et al.	
D345,790 S	4/1994	Caldwell	
D411,615 S	6/1999	Lo	
D428,982 S *	8/2000	Oldenburg	D23/377
D430,280 S	8/2000	Huang	
D430,930 S *	9/2000	Zuege	D23/377
D435,289 S	12/2000	Liu	
D449,396 S *	10/2001	Campbell	D26/59
D451,191 S	11/2001	Goodman	
D462,756 S	9/2002	Liu	
D464,722 S *	10/2002	Sonneman	D23/377
D476,406 S	6/2003	Friedes	
D476,411 S	6/2003	Friedes	
D510,622 S	10/2005	Tai	
D514,695 S	2/2006	Badarello	
D516,200 S	2/2006	Pickett	

OTHER PUBLICATIONS

<http://www.hunterfan.com/Ceiling-Fans/Perdido-Key?ModelNumber=59276>, Item Specification for Hunter 54" Perdido Key CAN—54" Ceiling Fan, Accessed Oct. 28, 2016.

(Continued)

Primary Examiner — Janice Hallmark

(74) *Attorney, Agent, or Firm* — McGarry Bair PC

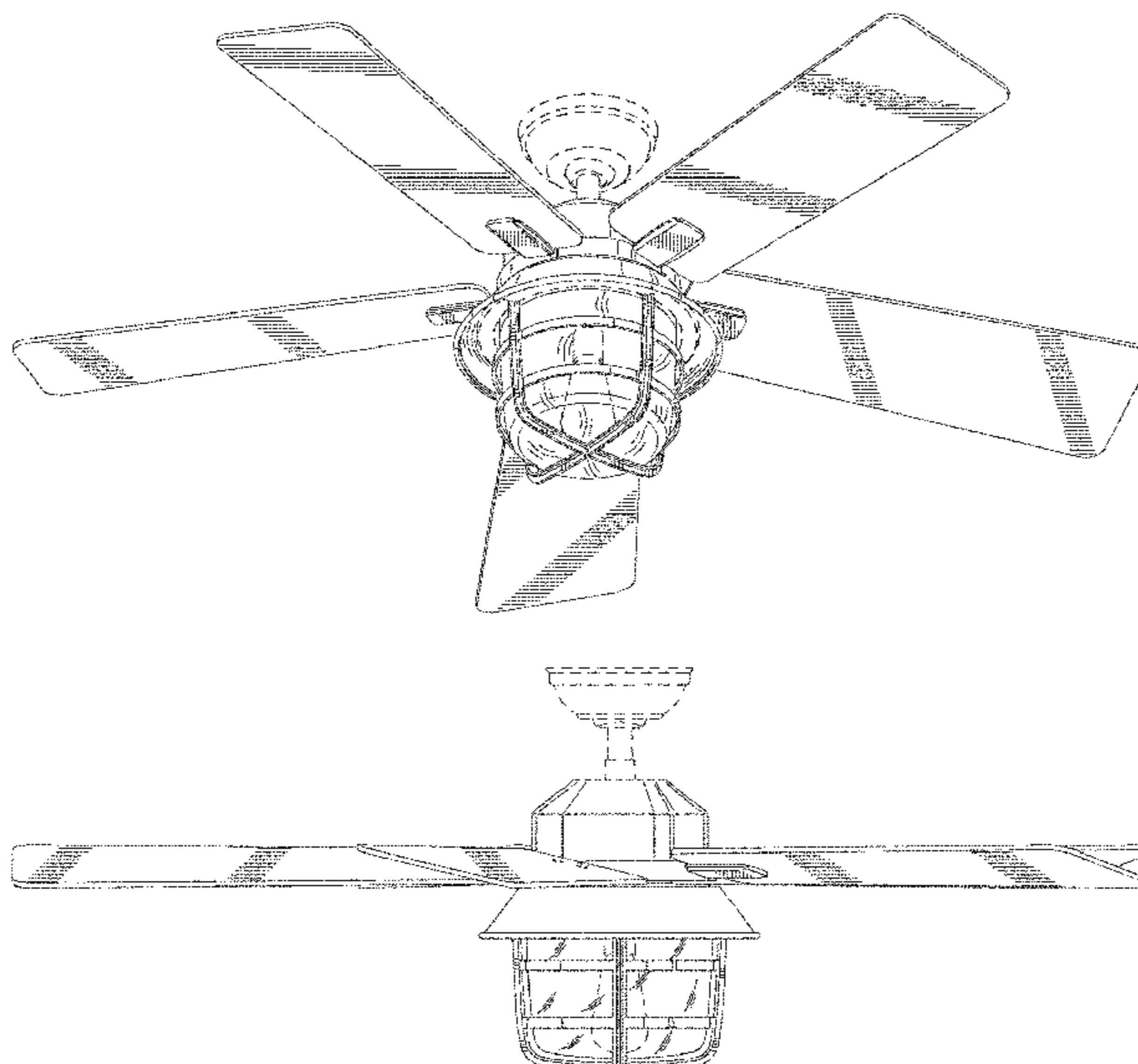
(57) **CLAIM**

The ornamental design for a ceiling fan, as shown and described.

DESCRIPTION

FIG. 1 is a top perspective view of a ceiling fan showing my new design;
FIG. 2 is a bottom perspective view of the ceiling fan of FIG. 1;
FIG. 3 is a top view of the ceiling fan of FIG. 1;
FIG. 4 is a bottom view of the ceiling fan of FIG. 1;
FIG. 5 is a front side view of the ceiling fan of FIG. 1;
FIG. 6 is a rear side view of the ceiling fan of FIG. 1;
FIG. 7 is a right side view of the ceiling fan of FIG. 1; and,
FIG. 8 is a left side view of the ceiling fan of FIG. 1.
Portions of the ceiling fan shown in broken lines form no part of the claimed design.

1 Claim, 8 Drawing Sheets



(56)

References Cited

U.S. PATENT DOCUMENTS

2005/0207140 A1* 9/2005 Srass F04D 25/088
362/96

OTHER PUBLICATIONS

<http://www.hunterfan.com/Ceiling-Fans/Ivy-Creek?ModelNumber=59277>, Item Specification for Hunter Ivy Creek—52" Ceiling Fan, Accessed Oct. 28, 2016.
<http://www.hunterfan.com/Ceiling-Fans/Key-Biscayne?ModelNumber=59135>, Item Specification for Hunter Key Biscayne—54" Ceiling Fan, Accessed Oct. 28, 2016.
<http://ceilingfans.emerson.com/shop/en/fan/fan-s-all/fans-s-browse-all/maui-bay-fan-p-cf2000>, Item Specification for Emerson Maui Bay—52" Ceiling Fan, Accessed Oct. 28, 2016.
<http://www.fanimation.com/products/index.php/fans/kaya.html>, Item Specification for Fanimation Kaya Ceiling Fan, Accessed Oct. 28, 2016.
<http://www.kichler.com/products/product/52-inch-chicago-fan-tzg-300001tzm.aspx>, Item Specification for Kichler Chicago Collection 52 Inch Chicago Fan TZG, Accessed Oct. 28, 2016.
<http://www.montecarlofans.com/32990/52-Morton-Oil-Rubbed-Bronze-5MB52OZD.html>, Item Specification for Monte Carlo 52" Morton—Oil Rubbed Bronze, Accessed Oct. 28, 2016.
<http://www.homedepot.com/p/Hampton-Bay-Metro-54-in-Rustic-Copper-Indoor-Outdoor-Ceiling-Fan-34342/202075572>, Item Specification for Hampton Bay Metro 54 in. Rustic Copper Indoor/Outdoor Ceiling Fan, Accessed Oct. 28, 2016.
<http://www.craftmade.com/Craftmade-MOR54ESP3-Espresso-Ceiling-Fan.HTM>, Item Specification for Craftmade MOR54ESP3—Moorestad, Accessed Oct. 28, 2016.
<http://www.minkagroup.net/products/f582-orb>, Item Specification for Minka Aire F582-ORB 52" Rainman, Accessed Oct. 28, 2016.
<http://www.craftmade.com/Craftmade-OLK13CFL-FB-Flat-Black-Outdoor-Light-Kit.HTM>, Item Specification for Craftmade OLK13CFL-FB, Accessed Oct. 28, 2016.

<http://www.craftmade.com/Craftmade-OLK200CFL-RI-Rustic-Iron-Ceiling-Fan-Light-Kit.HTM>, Item Specification for Craftmade OLK200CFL-RI, Accessed Oct. 28, 2016.
<http://www.craftmade.com/Craftmade-OLK67CFL-OB-Oiled-Bronze-Outdoor-Light-Kit.HTM>, Item Specification for Craftmade OLK67CFL-OB, Accessed Oct. 28, 2016.
<http://www.modernfan.com/products/pharos.html>, Item Specification for Pharos, Accessed Oct. 28, 2016.
<http://www.montecarlofans.com/32467/52-Aviary-Dark-Bronze-4AIR52DBD.html>, Item Specification for Monte Carlo 52" Aviary—Dark Bronze, Accessed Oct. 28, 2016.
[http://www.montecarlofans.com/22172/52-Burnet-Outdoor-Fan---Roman-Bronze-\(Wet-Rated\)-5BR52RBD.html](http://www.montecarlofans.com/22172/52-Burnet-Outdoor-Fan---Roman-Bronze-(Wet-Rated)-5BR52RBD.html), Item Specification for Monte Carlo 52" Burnet Outdoor Fan—Roman Bronze (Wet Rated), Accessed Oct. 28, 2016.
<http://www.homedepot.com/p/Hampton-Bay-Glacier-Bay-52-in-Indoor-Outdoor-Rustic-Copper-Ceiling-Fan-14938/202790702>, Item Specification for Hampton Bay Glacier Bay 52in. Indoor/Outdoor Rustic Copper Ceiling Fan, Accessed Oct. 28, 2016.
<http://www.homedepot.com/p/Hampton-Bay-North-Shoreline-46-in-Natural-Iron-Indoor-Outdoor-Ceiling-Fan-with-Light-Kit-51546/205643117>, Item Specification for Hampton Bay North Shoreline 46 in. Natural Iron Indoor/Outdoor Ceiling Fan with Light Kit, Accessed Oct. 28, 2016.
<https://www.lowes.com/pd/Harbor-Breeze-Merrimack-52-in-Antique-Bronze-Downrod-Mount-Indoor-Outdoor-Ceiling-Fan-with-Light-Kit-and-Remote/4165863>, Item Specification for Harbor Breeze Merrimack 52-in Antique Bronze Downrod Mount Indoor/Outdoor Ceiling Fan with Light Kit and Remote, Accessed Oct. 28, 2016.
<http://www.hunterfan.com/Ceiling-Fans/Mayford?ModelNumber=59205>, Item Specification for Hunter Mayford—54" Ceiling Fan, Accessed Oct. 28, 2016.
<http://arcadianhome.com/CM-B552C-CR>, Item Specification for Craftmade Contour Series 52" Type 2 Blades—CM-B552C-CR, Accessed Oct. 28, 2016.
<http://www.fanimation.com/products/index.php/22-inch-breckenfield-composite-blade-set.html>, Item Specification for Fanimation 22 Inch Breckenfield Composite Blade Set, Accessed Oct. 28, 2016.

* cited by examiner

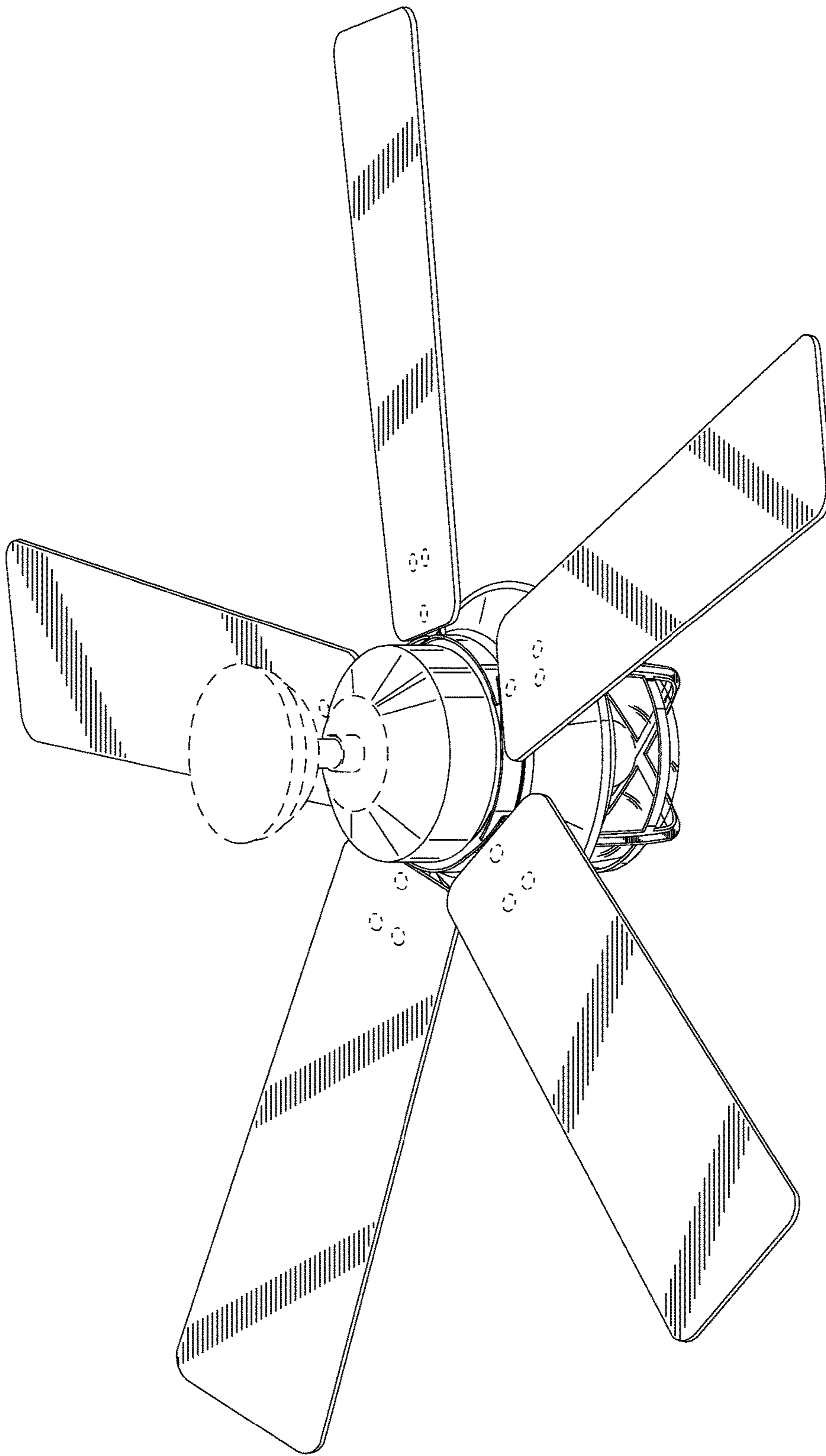


FIG.1

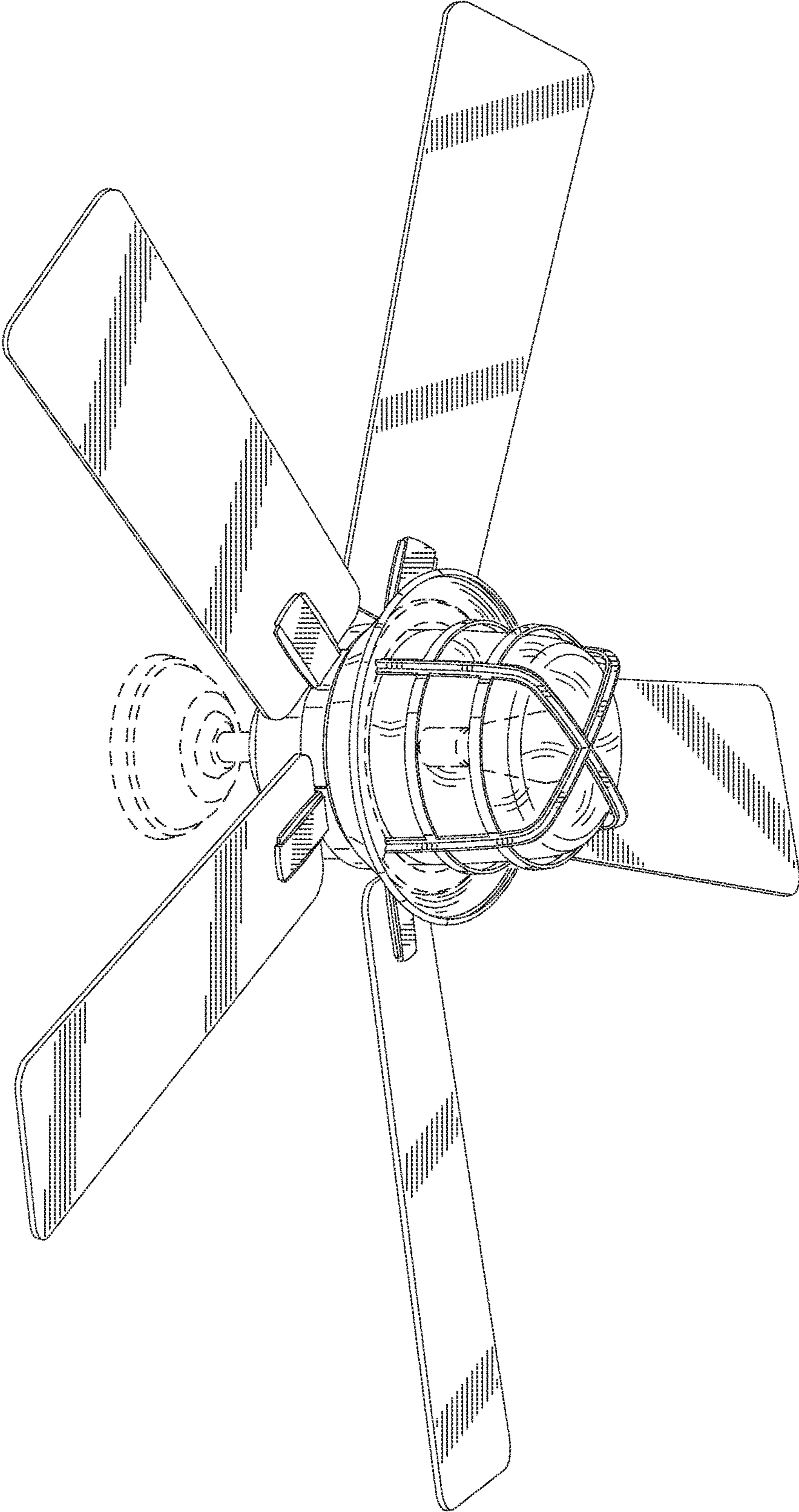


FIG. 2

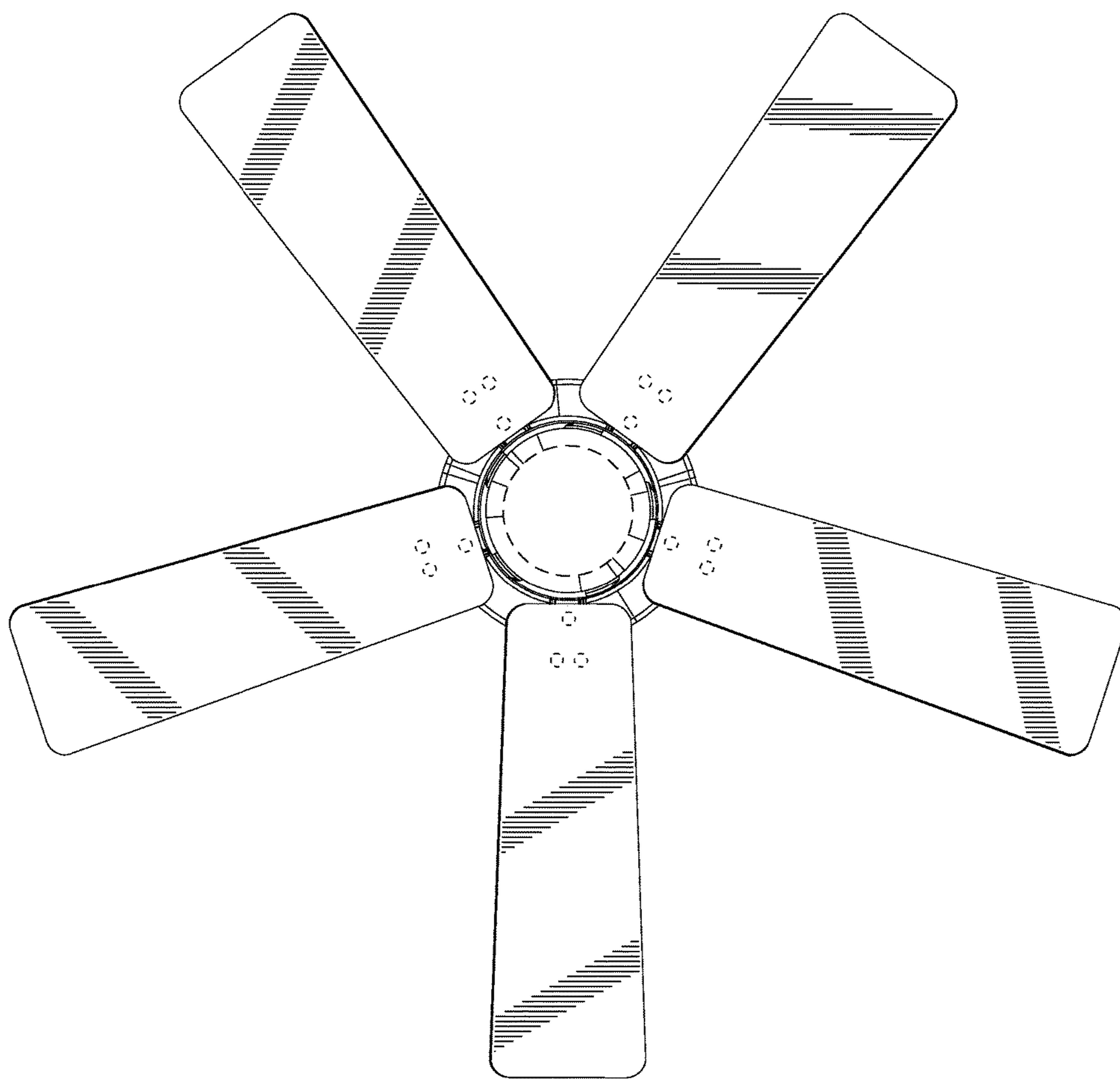


FIG.3

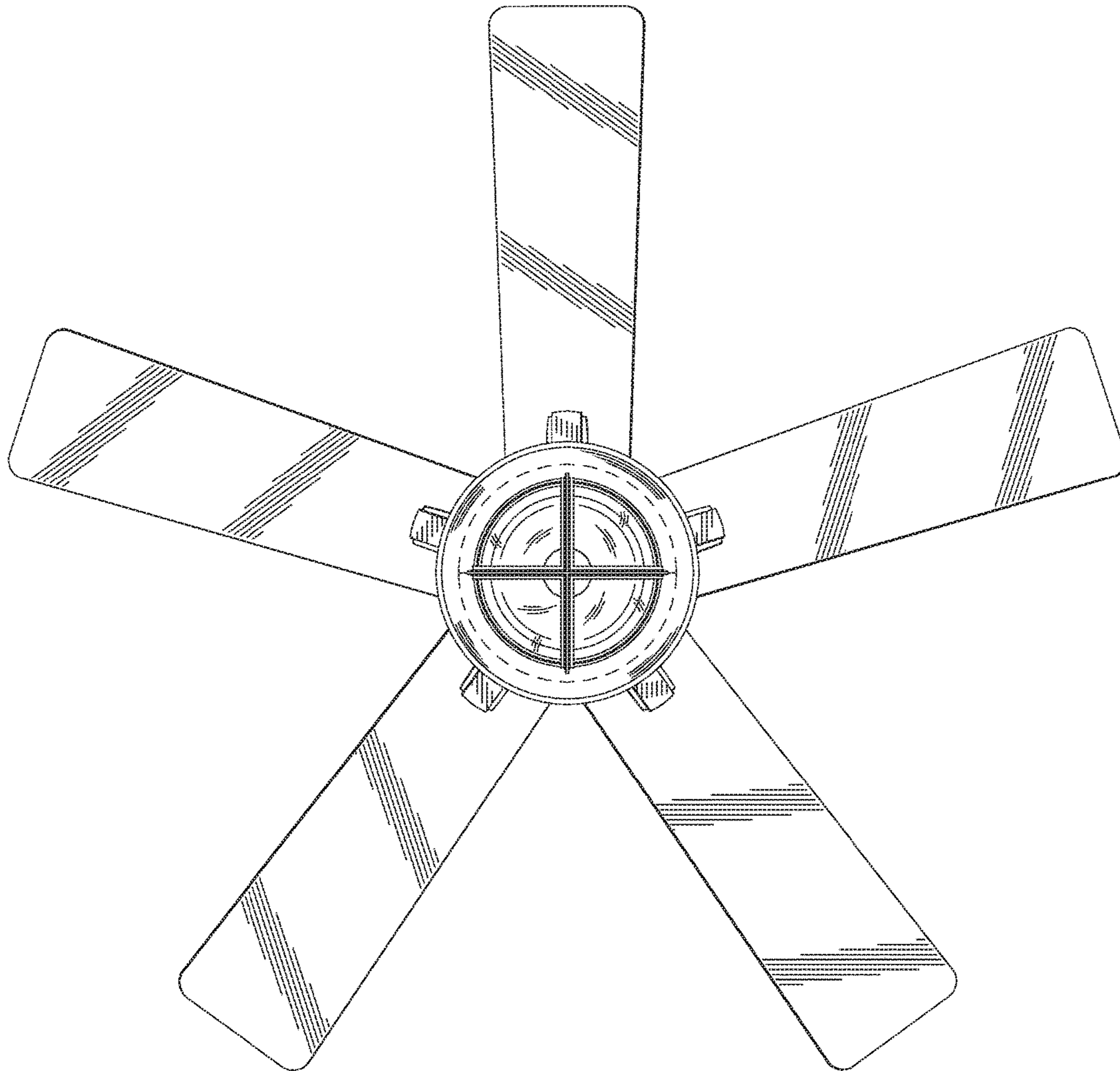


FIG.4

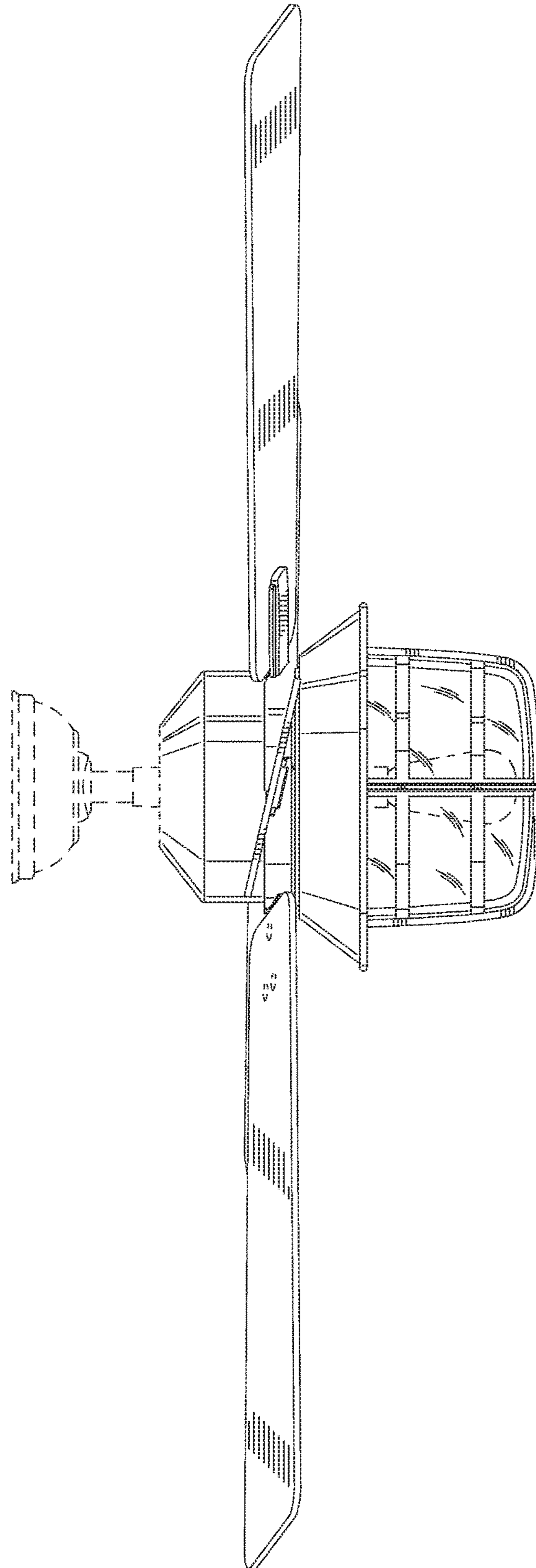


FIG. 5

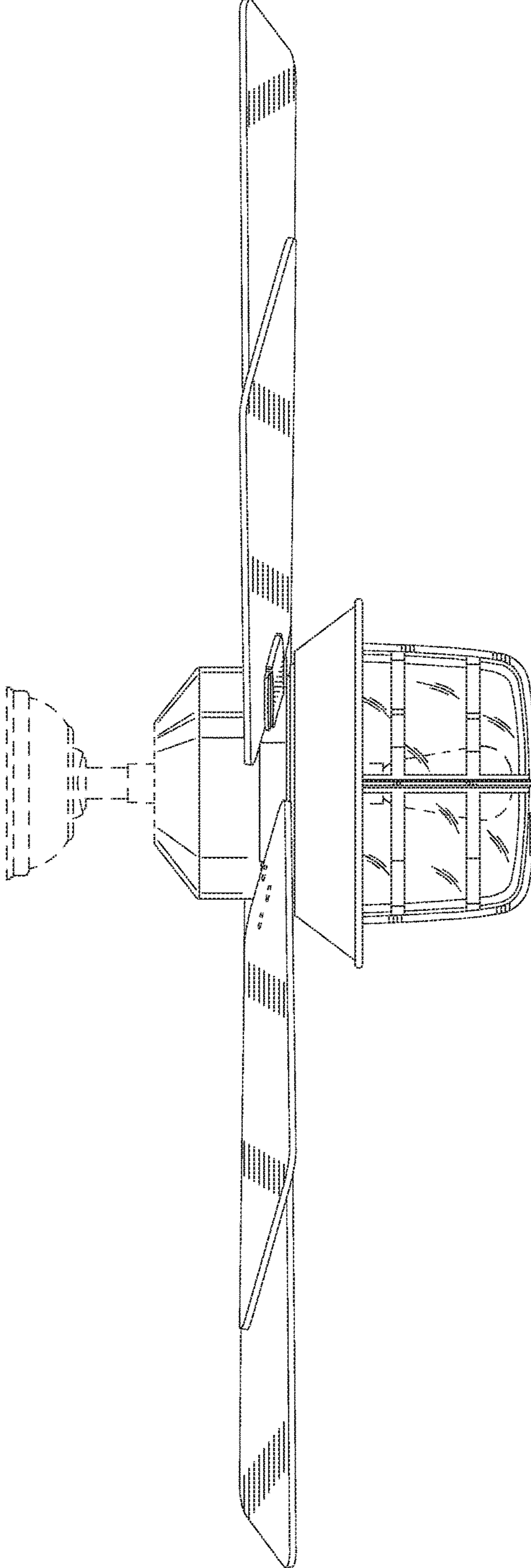


FIG.6

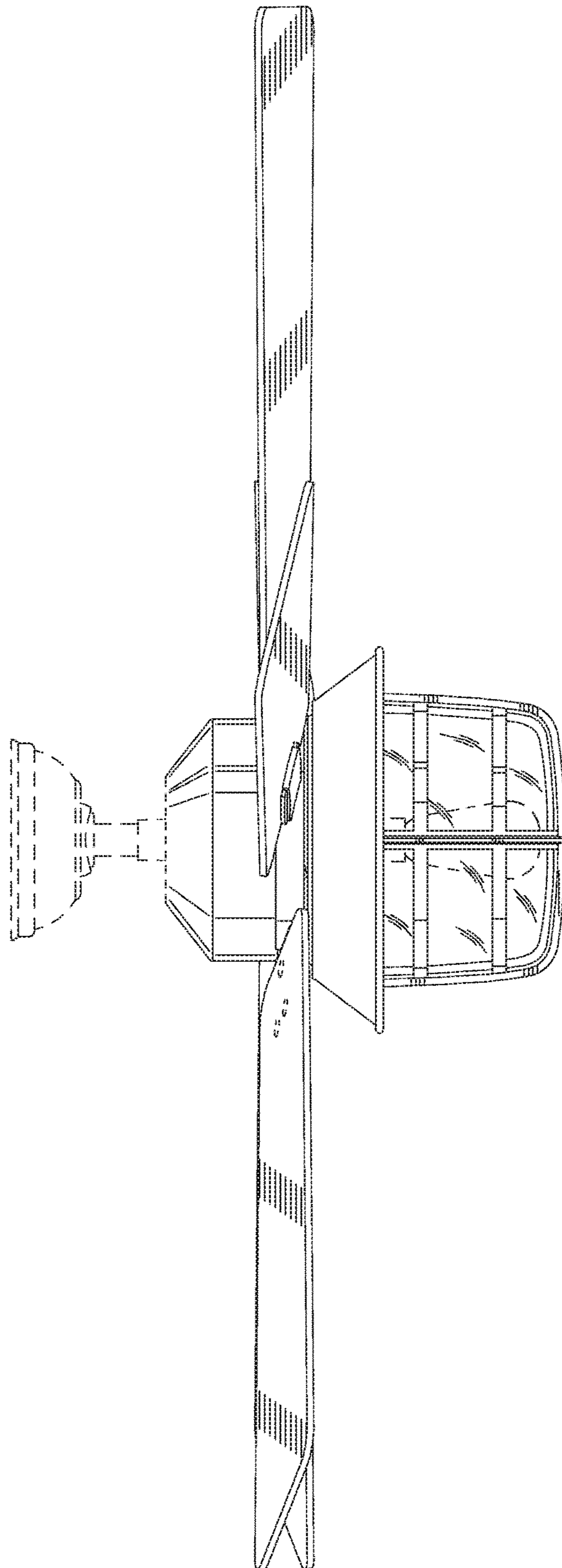


FIG. 7

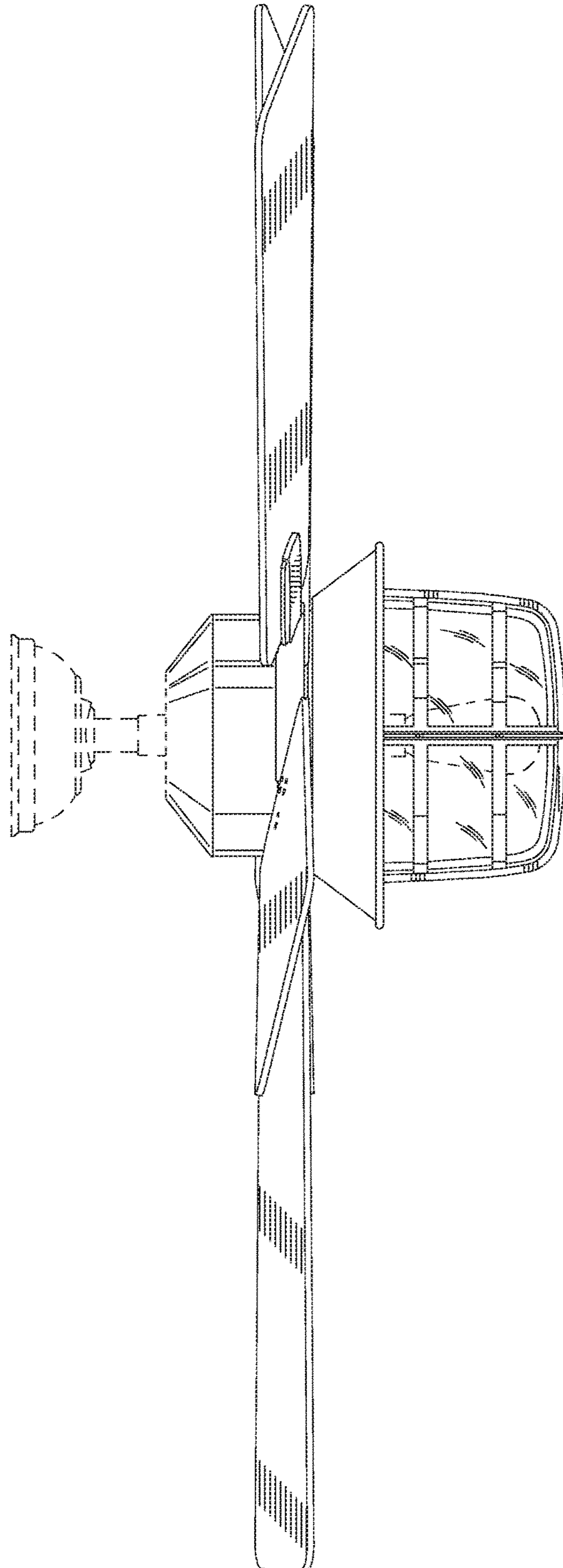


FIG. 8