



US00D807996S

(12) **United States Design Patent**
Kim et al.

(10) **Patent No.:** **US D807,996 S**
(45) **Date of Patent:** **** Jan. 16, 2018**

(54) **WATER TANK FOR AIR PURIFIER WITH HUMIDIFIER**

(71) Applicant: **LG ELECTRONICS INC.**, Seoul (KR)

(72) Inventors: **Joosang Kim**, Seoul (KR); **Sungkyong Han**, Seoul (KR); **Yoojeung Han**, Seoul (KR); **Sehwan Bae**, Seoul (KR)

(73) Assignee: **LG ELECTRONICS INC.**, Seoul (KR)

(**) Term: **15 Years**

(21) Appl. No.: **29/577,034**

(22) Filed: **Sep. 8, 2016**

(30) **Foreign Application Priority Data**

Mar. 24, 2016 (KR) 30-2016-0013861

(51) **LOC (11) Cl.** **23-04**

(52) **U.S. Cl.**
USPC **D23/358**

(58) **Field of Classification Search**
USPC D23/300, 314, 325, 332-336, 342, 351, D23/352, 355-369, 370, 386-388; D14/168; D9/429; D7/584
CPC A62B 21/00; B01D 46/0002; B01D 46/10; F02M 35/04; F24F 13/20
See application file for complete search history.

(56) **References Cited**

U.S. PATENT DOCUMENTS

D385,343 S * 10/1997 Chiu D23/356
D544,591 S * 6/2007 Snow D23/358
D604,563 S * 11/2009 Kipry D7/543
D689,768 S * 9/2013 Inderbitzin D9/429

D730,505 S * 5/2015 Cao D23/355
D743,252 S * 11/2015 Hansen A47J 31/368
D9/429
D754,312 S * 4/2016 Ellis D23/355
D757,537 S * 5/2016 Trombetta D9/428
D786,667 S * 5/2017 Kim D9/429

OTHER PUBLICATIONS

LG water tank reference found online [Jun. 23, 2017]—[http://www.lg.com/us/air-care-solutions/lg-AM501YWM1?&cmpid=sem_\(SG\)-Signature-AON-GGL-Srch-Brand-Air-Purifier-Only-EXT_lg-signature-air-purifier&gclid=CKm24smh1NQCFQdNNwodNsYJHg&gclsrc=ds.*](http://www.lg.com/us/air-care-solutions/lg-AM501YWM1?&cmpid=sem_(SG)-Signature-AON-GGL-Srch-Brand-Air-Purifier-Only-EXT_lg-signature-air-purifier&gclid=CKm24smh1NQCFQdNNwodNsYJHg&gclsrc=ds.*)

* cited by examiner

Primary Examiner — Robert M Spear

Assistant Examiner — John Voytek

(74) *Attorney, Agent, or Firm* — Dentons US LLP

(57) **CLAIM**

We claim the ornamental design for a water tank for air purifier with humidifier, as shown and described.

DESCRIPTION

FIG. 1 is a perspective view of a water tank for air purifier with humidifier showing the new design; FIG. 2 is a front elevation view thereof; FIG. 3 is a rear elevation view thereof; FIG. 4 is a left-side elevation view thereof; FIG. 5 is a right-side elevation view thereof; FIG. 6 is a top plan view thereof; FIG. 7 is a bottom plan view thereof; and, FIG. 8 is a front elevation view thereof, in a use condition. The broken lines shown in FIG. 8 are included for the purpose of illustrating environmental structure and form no part of the claimed design.

1 Claim, 5 Drawing Sheets

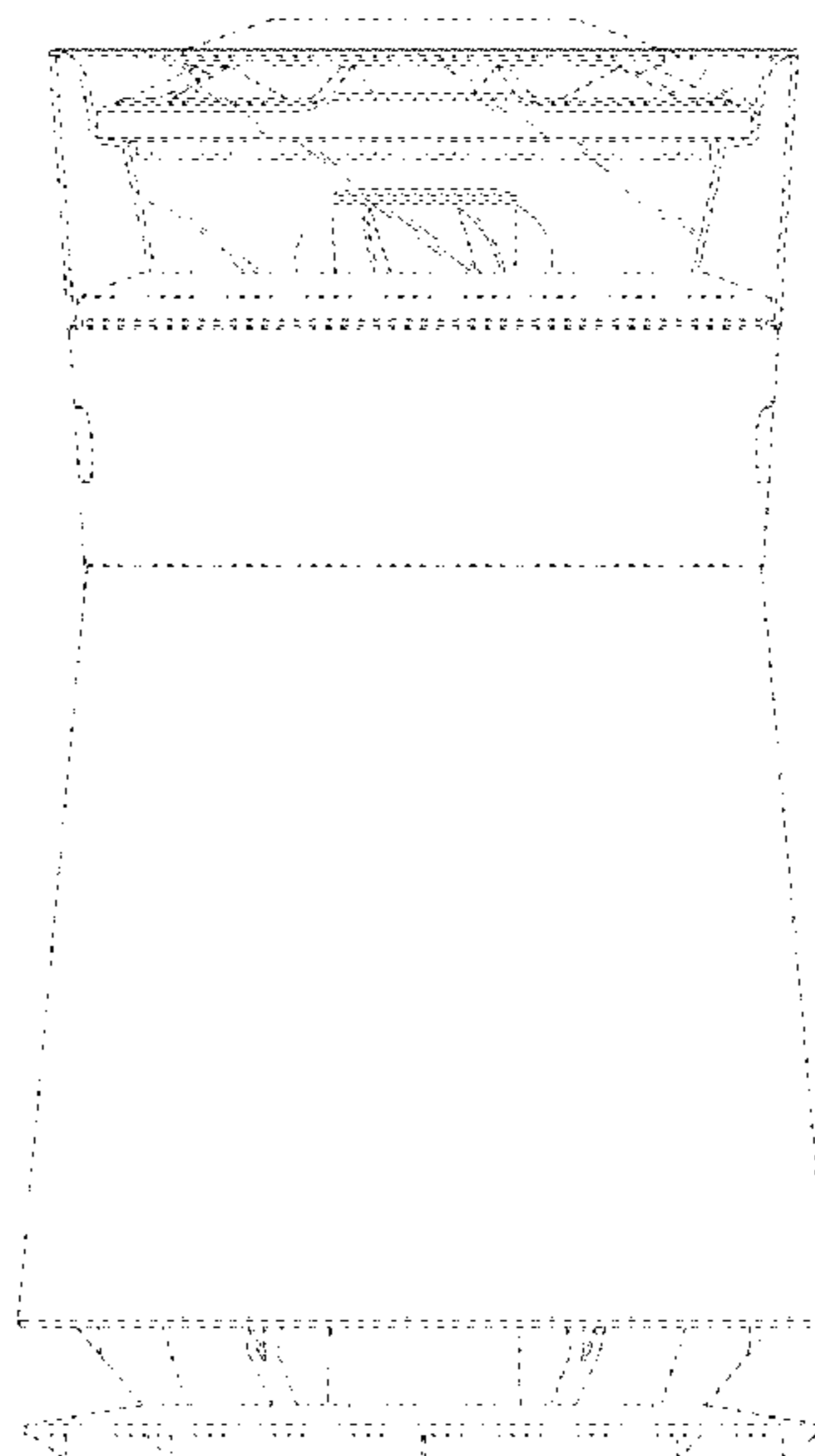
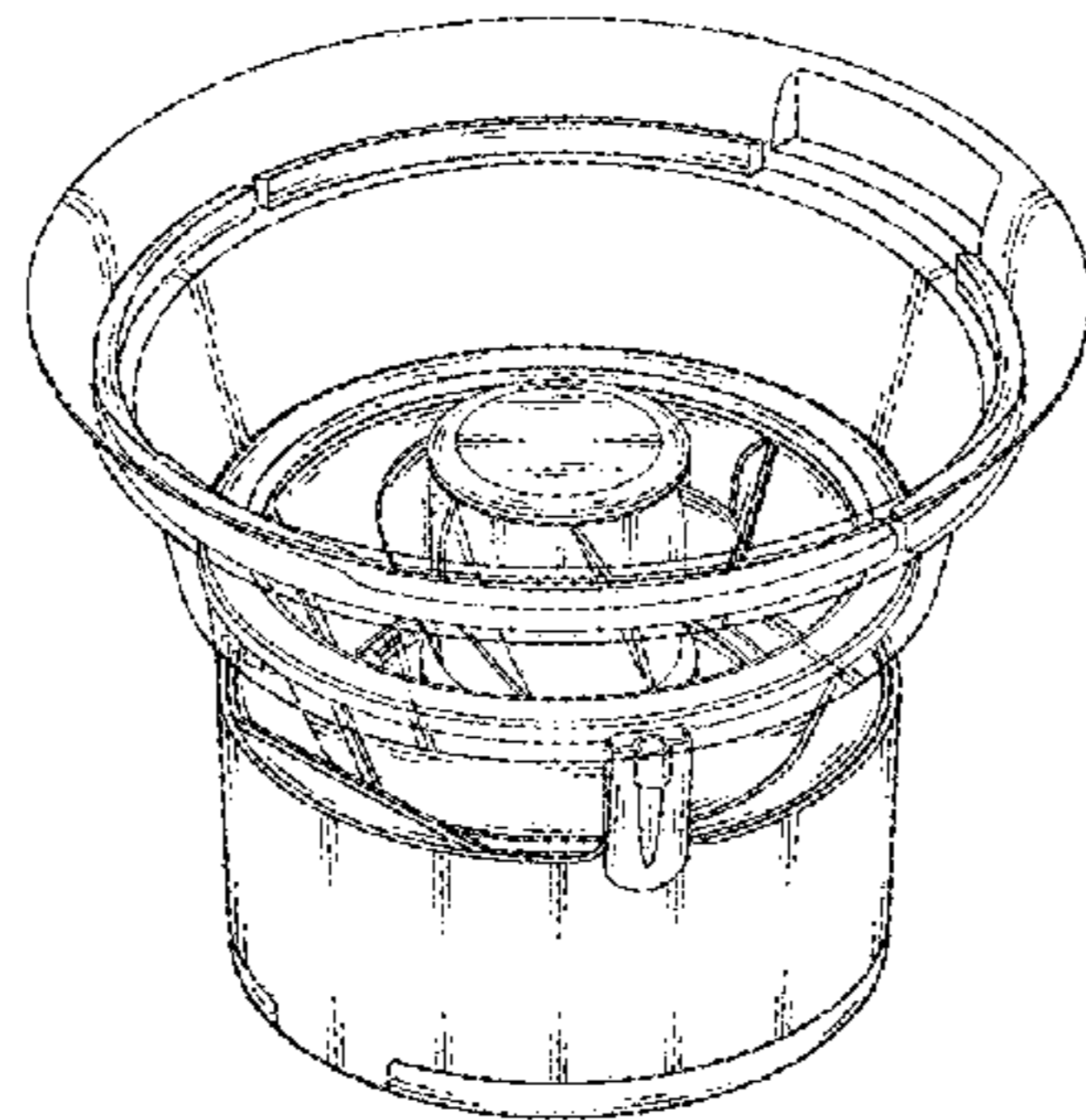


FIG. 1

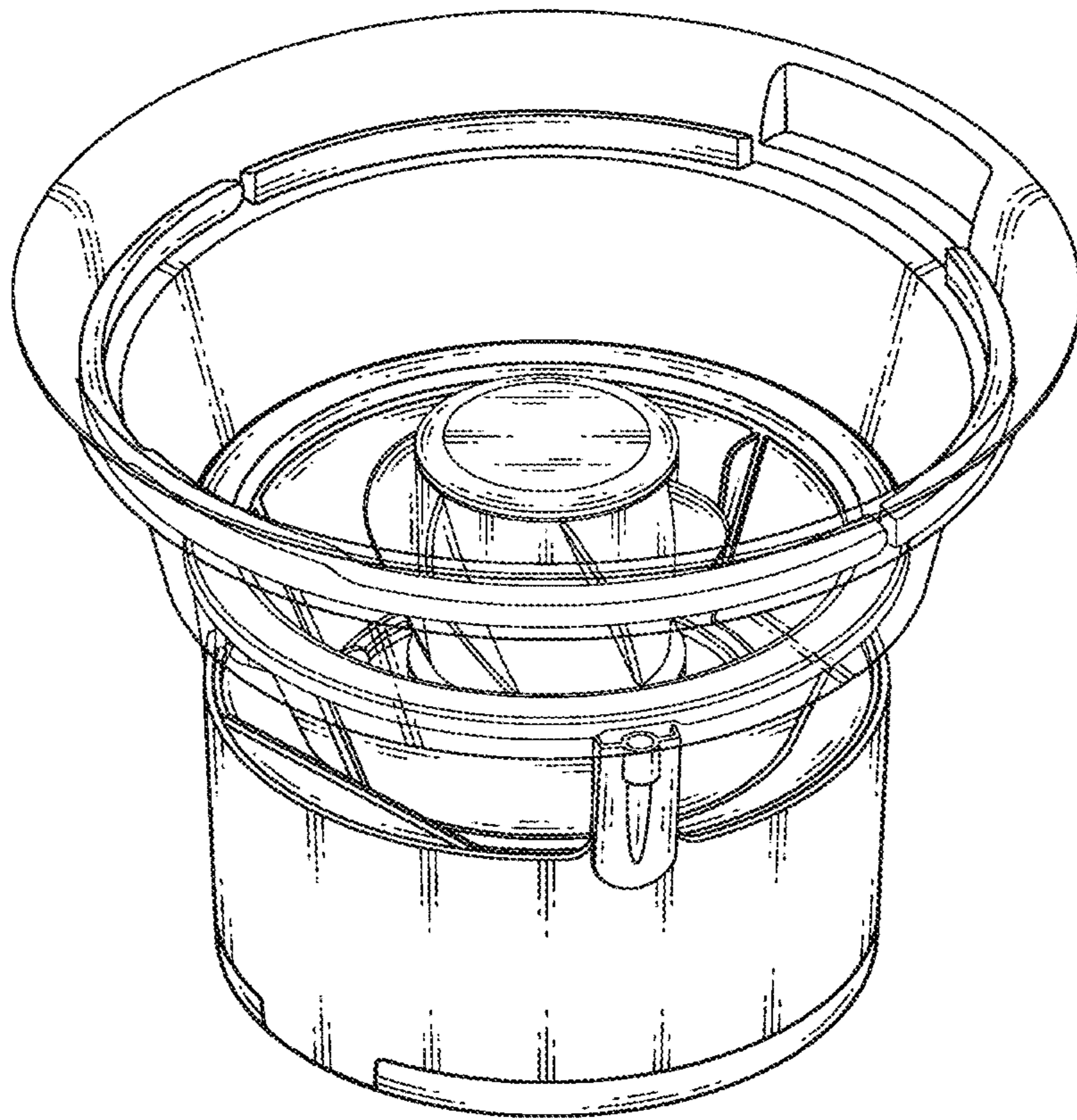


FIG. 2

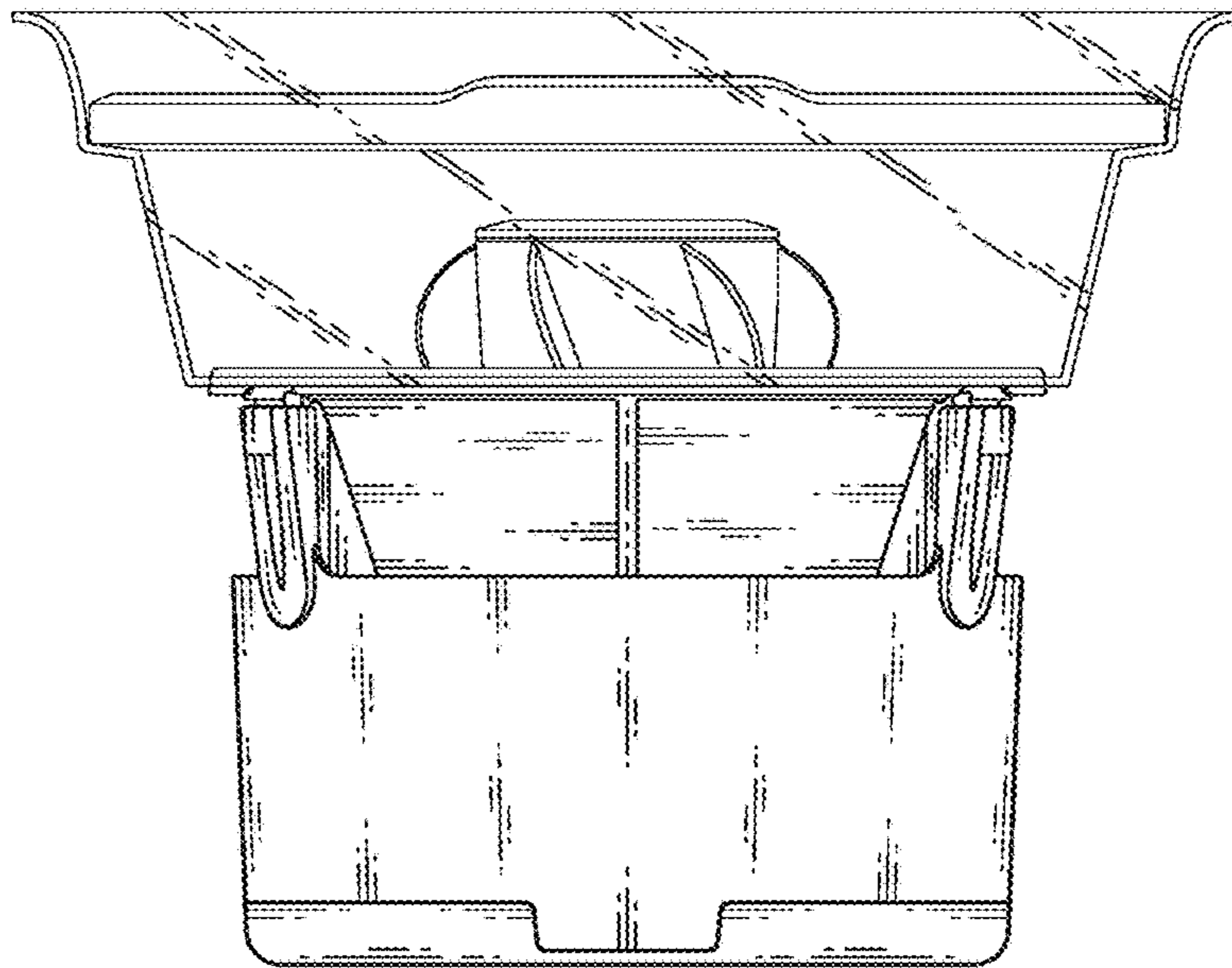


FIG. 3

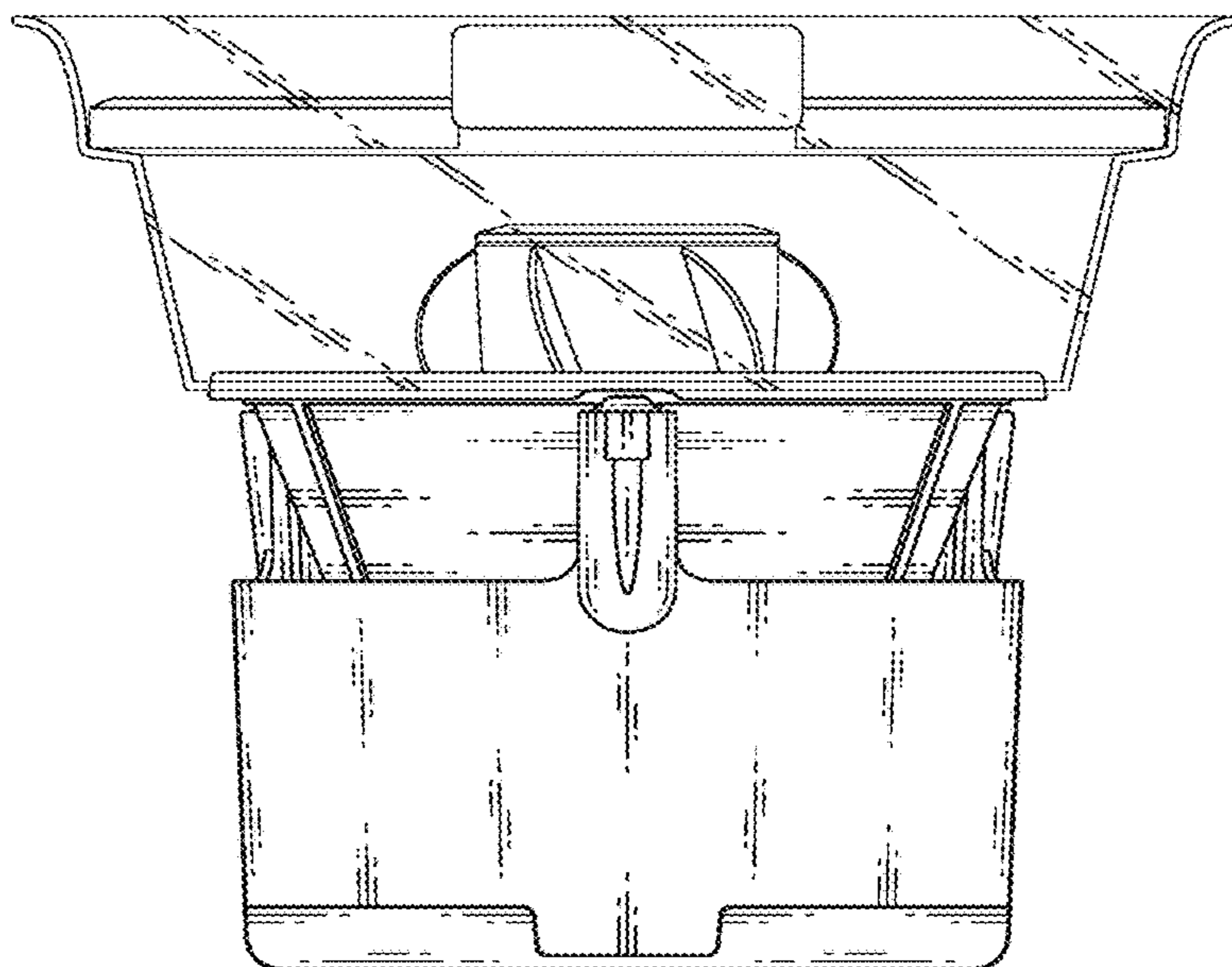


FIG. 4

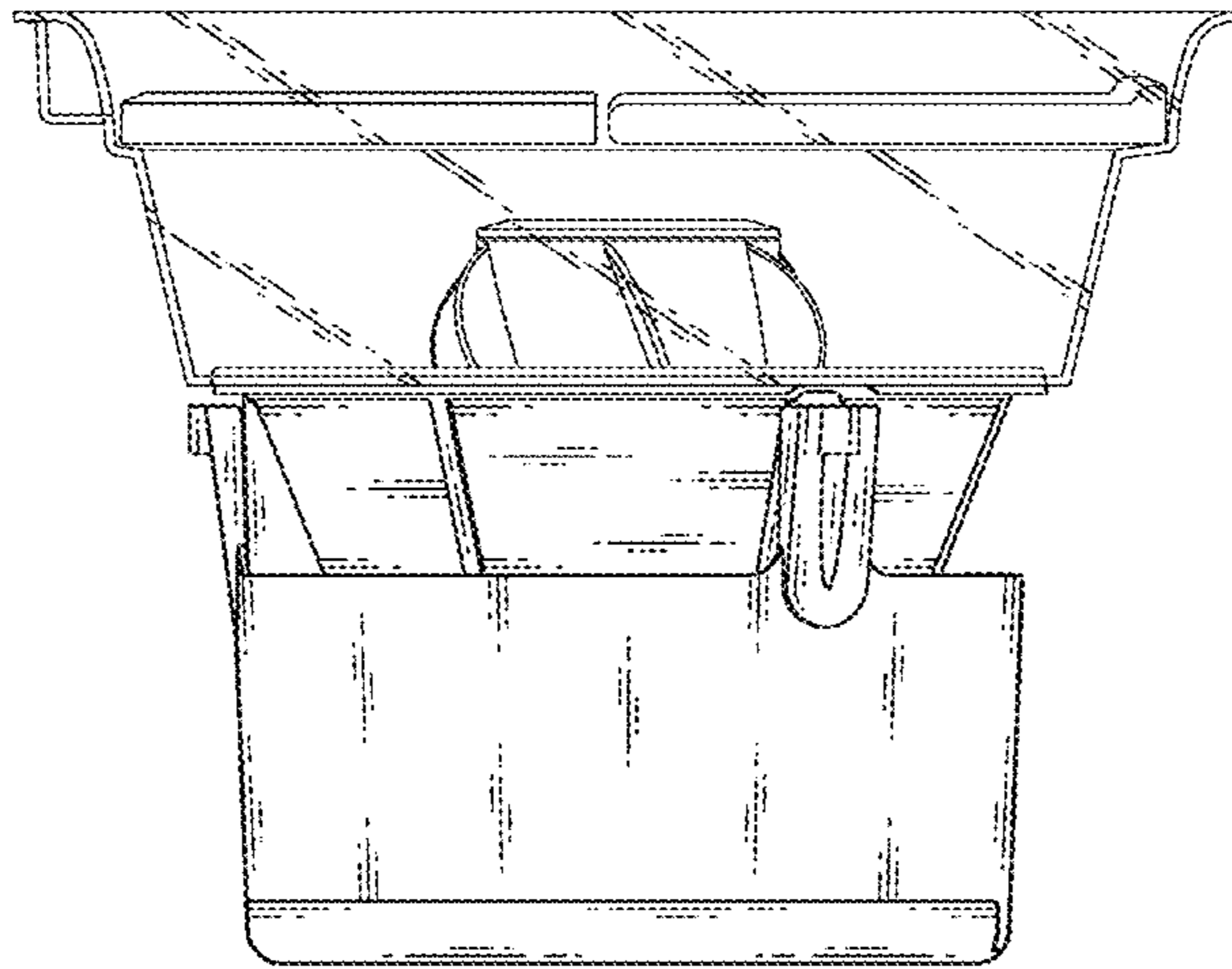


FIG. 5

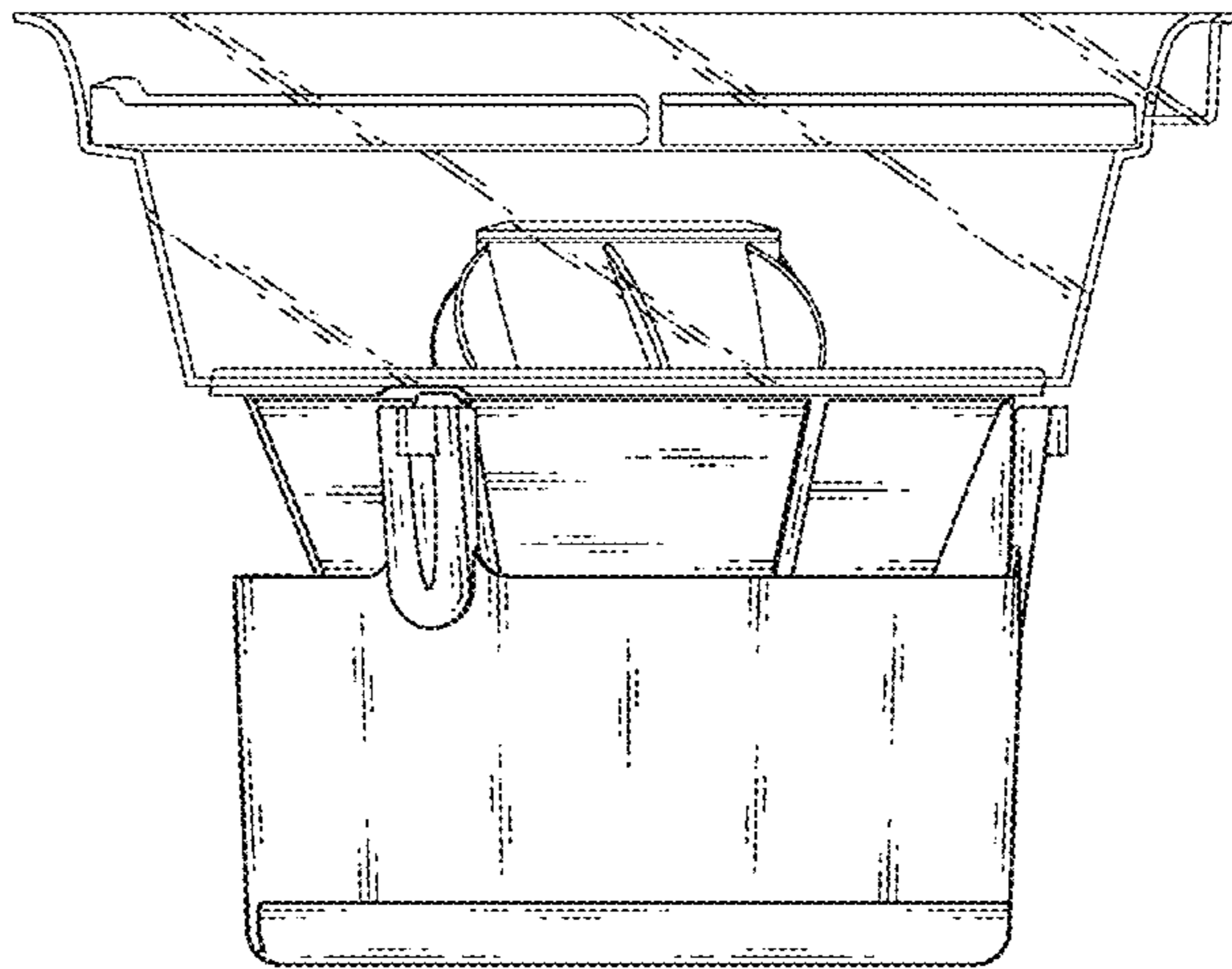


FIG. 6

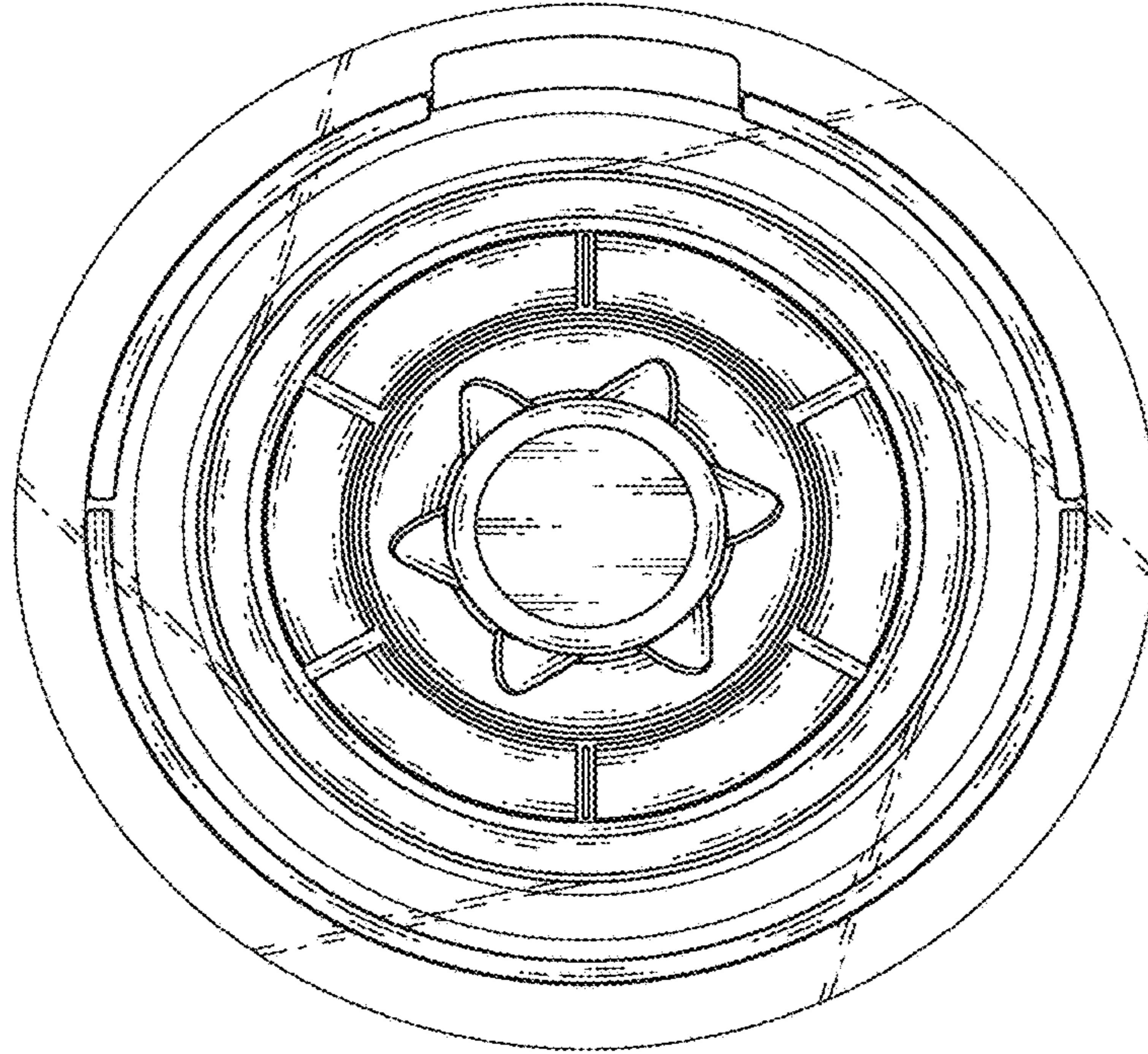


FIG. 7

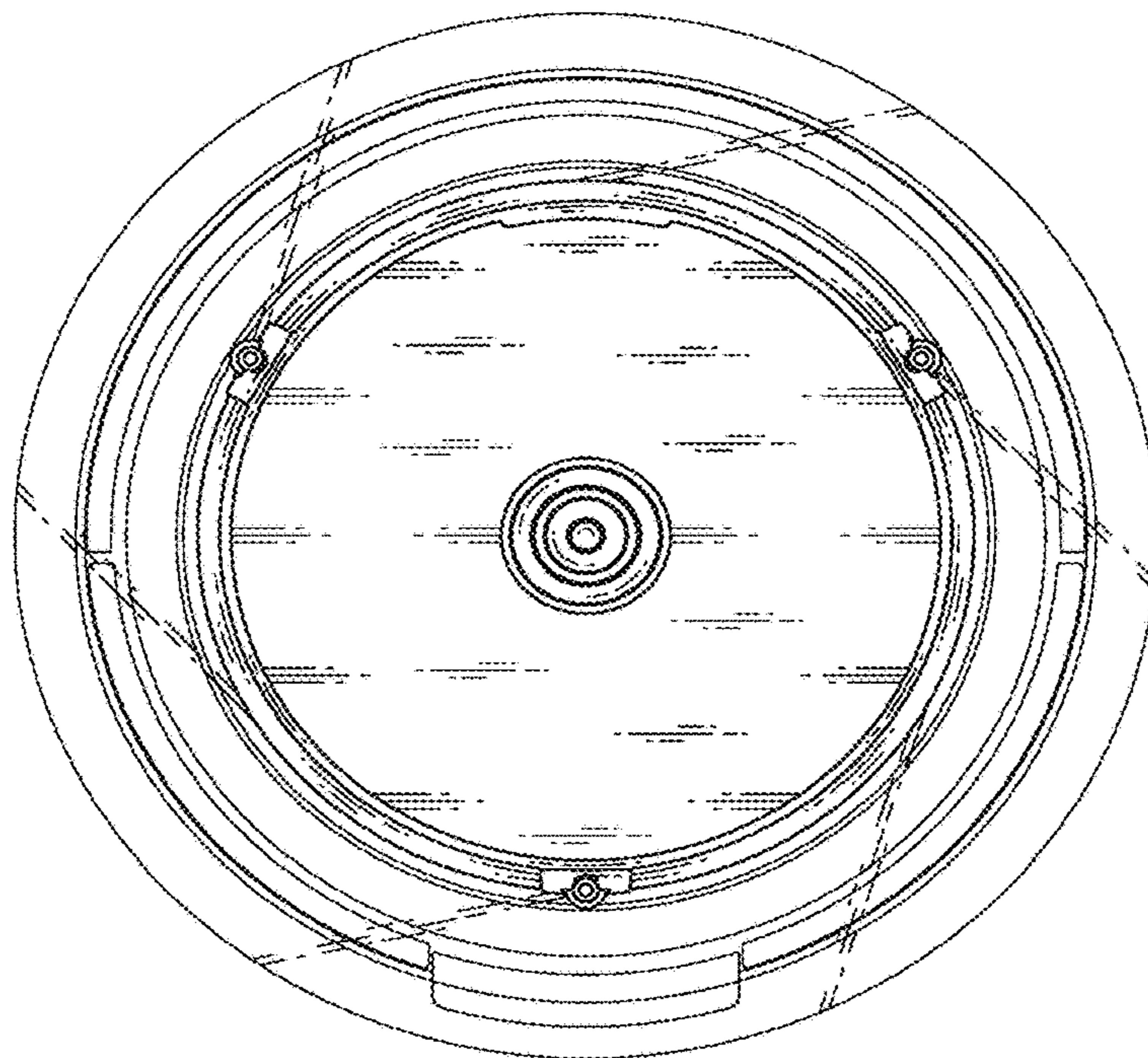


FIG. 8

