



US00D807995S

(12) **United States Design Patent**
Maeckelberghe et al.

(10) **Patent No.: US D807,995 S**
(45) **Date of Patent: ** Jan. 16, 2018**

(54) **CIRCUIT KIT FOR A HUMIDIFIER**

(56) **References Cited**

(71) Applicant: **Fisher & Paykel Healthcare Limited,**
Auckland (NZ)

U.S. PATENT DOCUMENTS

(72) Inventors: **Thomas Jacques Fernand**
Maeckelberghe, Auckland (NZ);
Gareth James Hobbs, Auckland (NZ);
Matthew Liam Buswell, Auckland
(NZ); **Jason Allan Klenner,** Auckland
(NZ); **David Leon McCauley,**
Auckland (NZ); **Elmo Benson Stoks,**
Auckland (NZ); **Samuel Graham**
Boggs, Auckland (NZ); **Jonathan**
Andrew George Lambert, Auckland
(NZ); **James William Stanton,**
Auckland (NZ)

D302,040	S	*	7/1989	Lambert	D23/314
D439,326	S	*	3/2001	Hecker	D24/110.1
D677,789	S	*	3/2013	Row	D24/129
D762,843	S	*	8/2016	Formica	D24/110
2003/0236015	A1	*	12/2003	Edirisuriya	A61M 16/08
						439/191
2009/0025724	A1	*	1/2009	Herron, Jr.	A61M 16/0808
						128/204.18
2015/0283350	A1	*	10/2015	Miller	A61M 16/00
						128/204.17

(73) Assignee: **Fisher & Paykel Healthcare Limited,**
Auckland (NZ)

* cited by examiner

Primary Examiner — Kevin K Rudzinski
(74) *Attorney, Agent, or Firm* — Knobbe Martens Olson
& Bear, LLP

(**) Term: **15 Years**

(57) **CLAIM**

The ornamental design for a circuit kit for a humidifier, as shown and described.

(21) Appl. No.: **29/540,276**

DESCRIPTION

(22) Filed: **Sep. 22, 2015**

(51) **LOC (11) Cl.** **23-04**

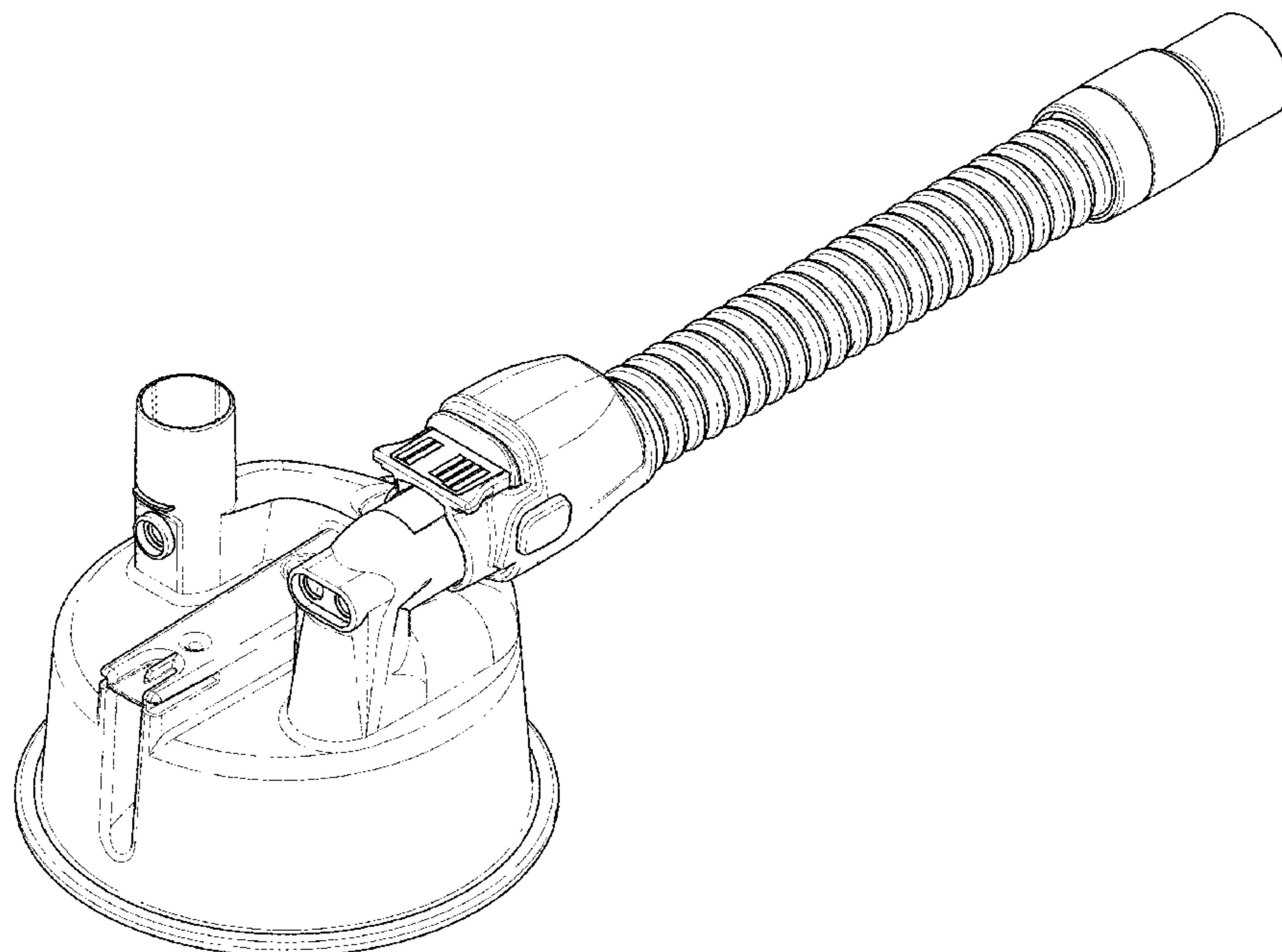
(52) **U.S. Cl.**
USPC **D23/358**

(58) **Field of Classification Search**
USPC D23/364, 366, 333, 332, 355, 356, 359,
D23/209; D32/18

FIG. 1 is a top, rear and side perspective view of a first embodiment of a circuit kit for a humidifier showing a tubing assembly connected to a chamber embodying our new design;
FIG. 2 is a rear view thereof;
FIG. 3 is a front view thereof;
FIG. 4 is a first side view thereof;
FIG. 5 is a second side view thereof;
FIG. 6 is a top view thereof; and,
FIG. 7 is a bottom view thereof.

CPC B01D 46/02; B01D 46/00
See application file for complete search history.

1 Claim, 7 Drawing Sheets



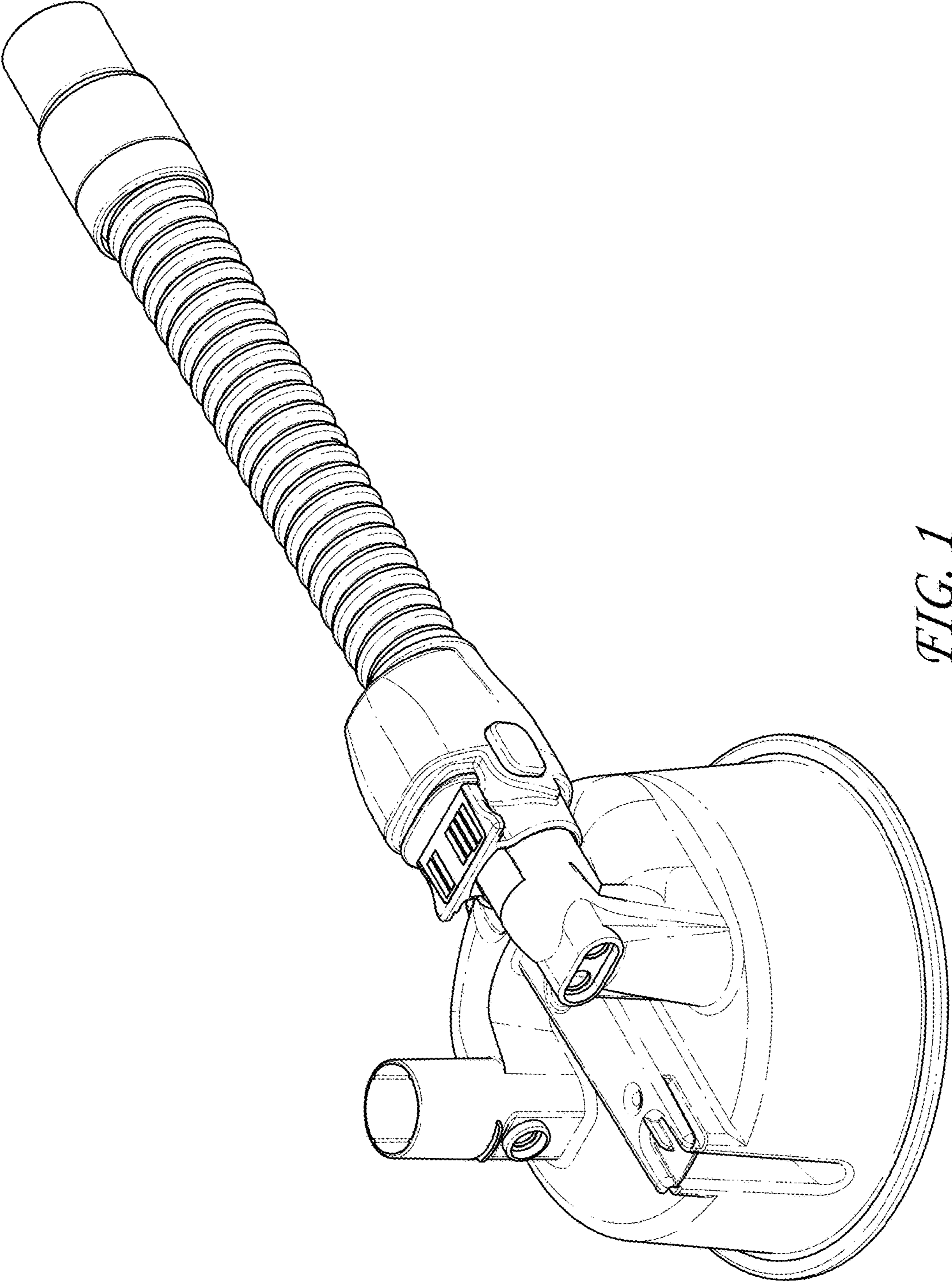


FIG. 1

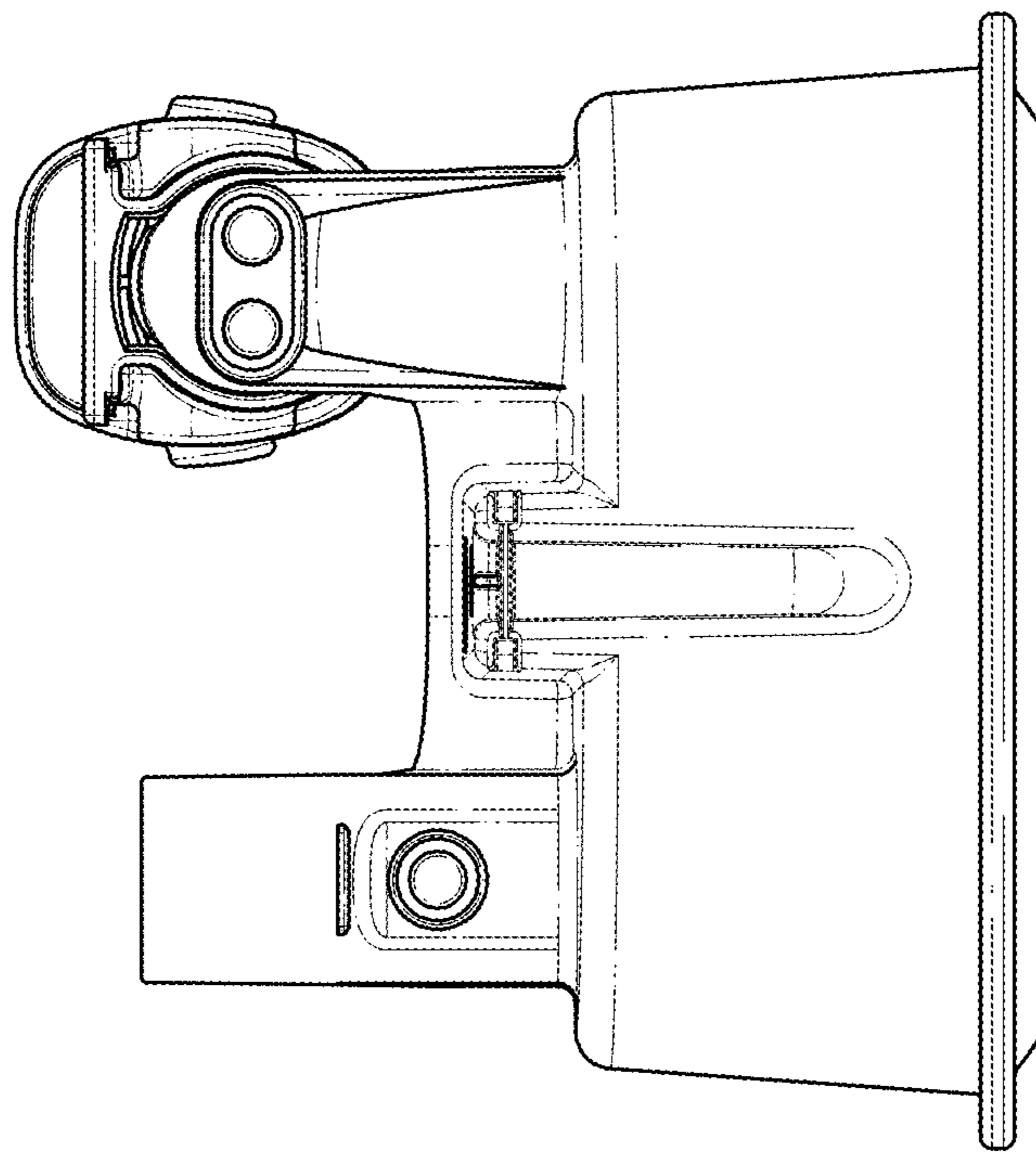


FIG. 2

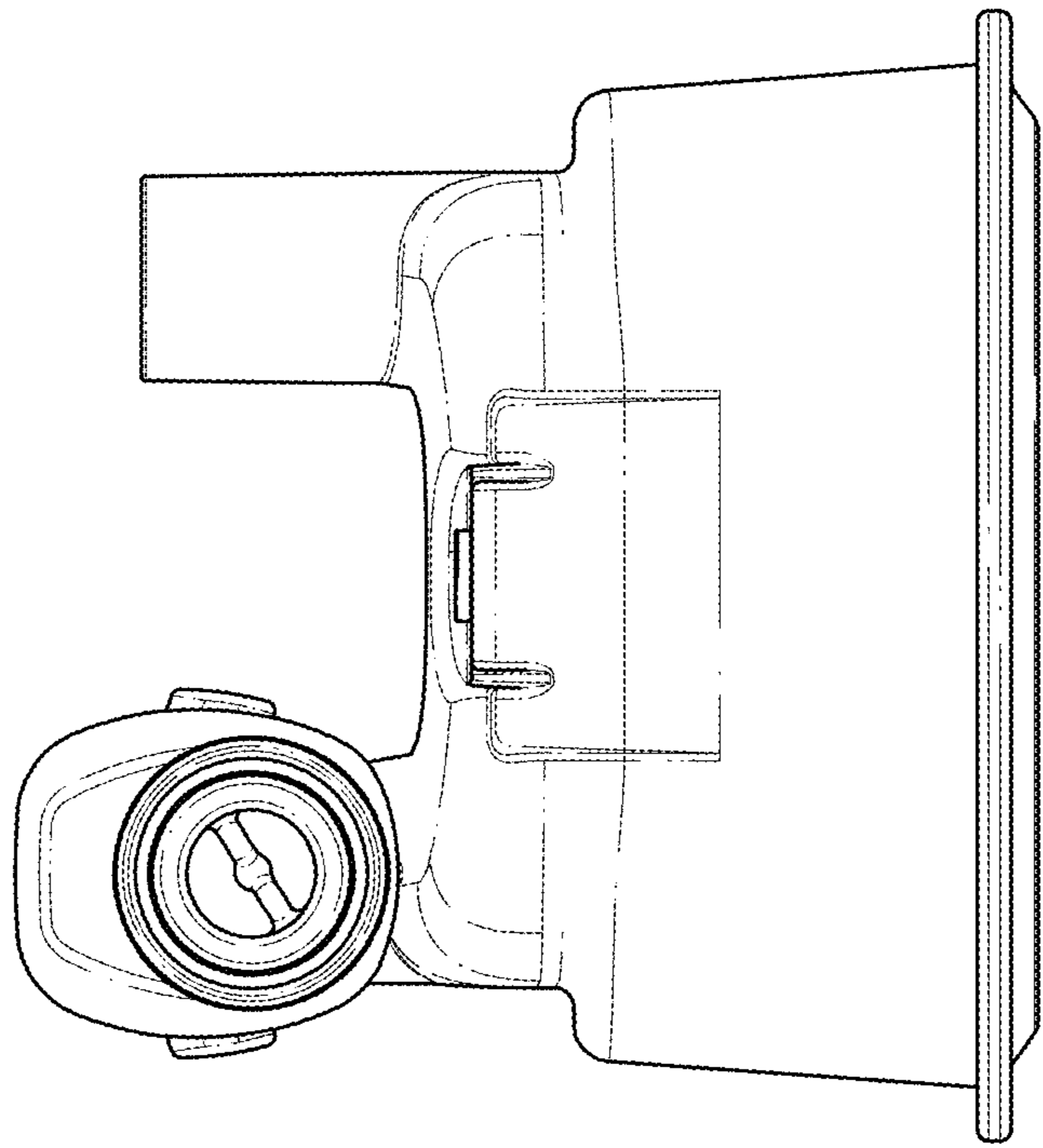


FIG. 3

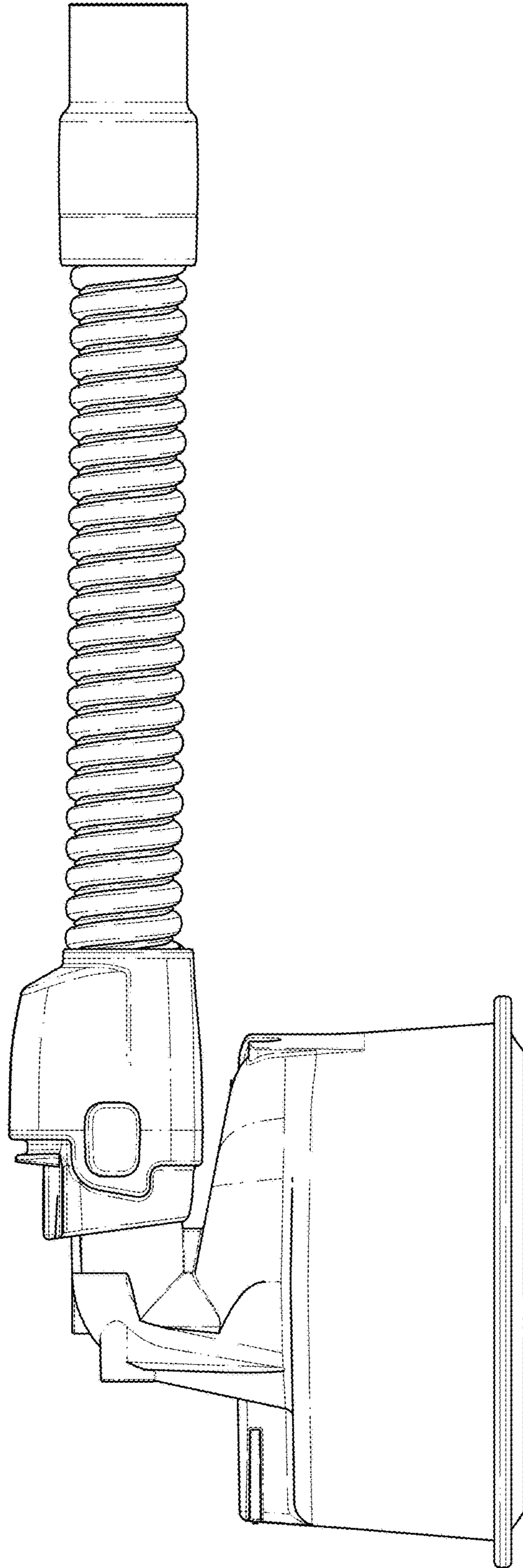


FIG. 4

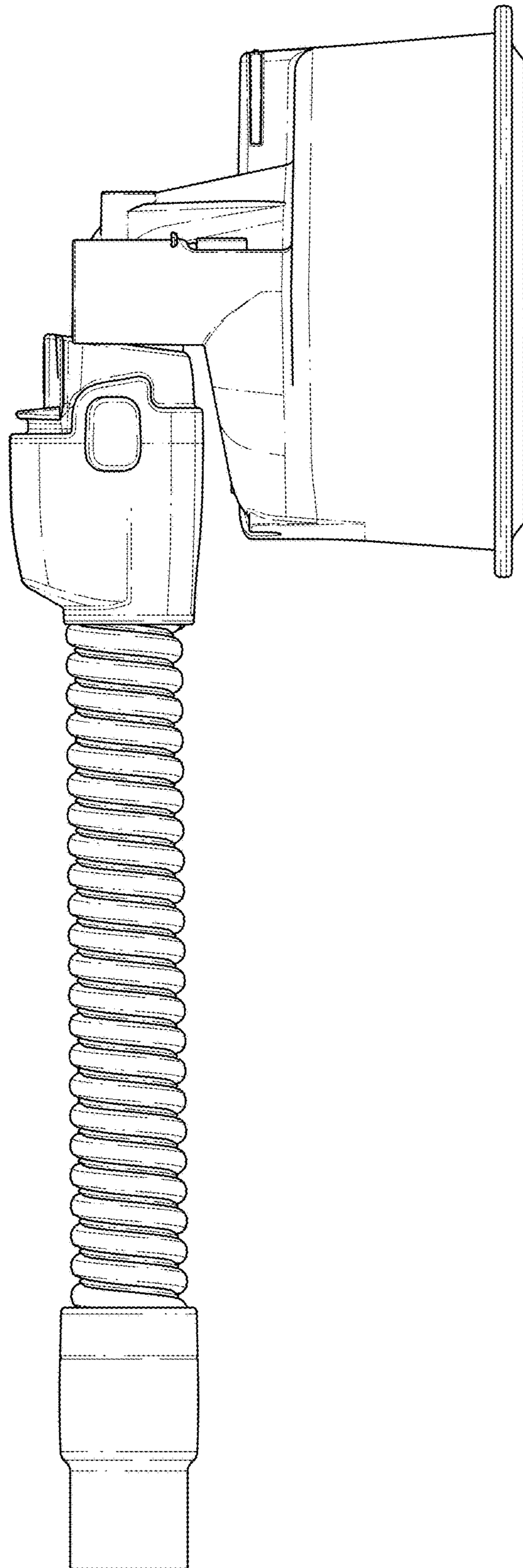


FIG. 5

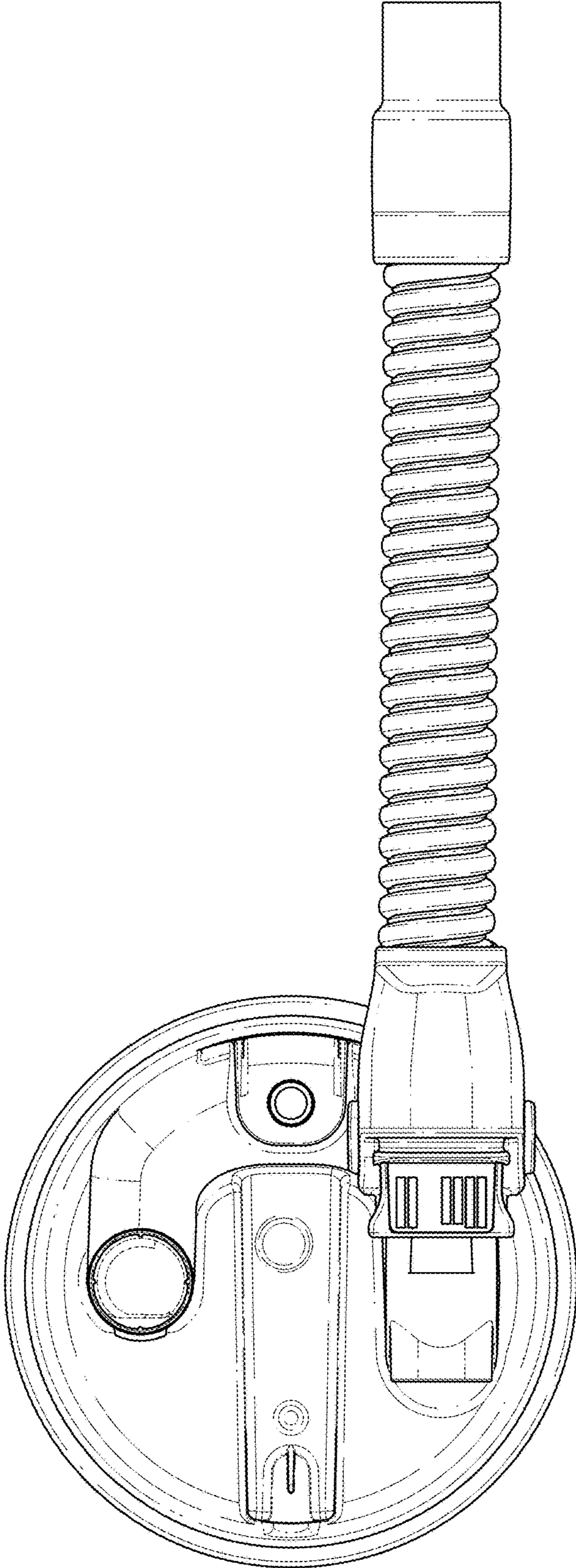


FIG. 6

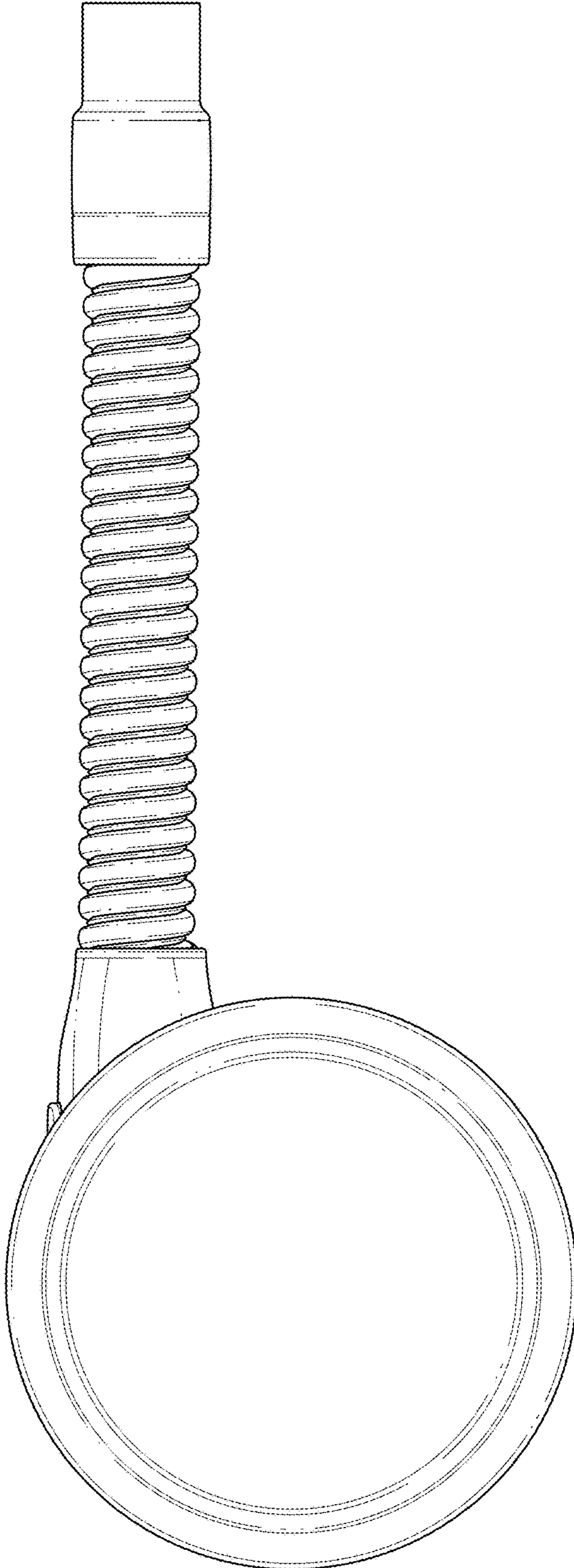


FIG. 7