



US00D807993S

(12) **United States Design Patent** (10) **Patent No.:** **US D807,993 S**
Breit et al. (45) **Date of Patent:** **** Jan. 16, 2018**

(54) **WATER MISTING FAN**
(71) Applicant: **O2COOL, LLC**, Chicago, IL (US)
(72) Inventors: **Oliver Breit**, Sheung Wan (HK); **Jason Yap**, Sheung Wan (HK)
(73) Assignee: **O2COOL, LLC**, Chicago, IL (US)

D395,701 S 6/1998 Radtke et al.
D397,427 S 8/1998 Junkel et al.
D397,774 S 9/1998 Junkel et al.
5,843,344 A 12/1998 Junkel et al.
6,161,777 A 12/2000 Carter et al.
D451,792 S * 12/2001 Siebert D9/685
D454,631 S 3/2002 Steiner
(Continued)

(**) Term: **15 Years**

(21) Appl. No.: **29/581,202**

(22) Filed: **Oct. 17, 2016**

Related U.S. Application Data

(63) Continuation of application No. 29/519,654, filed on Mar. 6, 2015, now Pat. No. Des. 770,022.

(51) **LOC (11) Cl.** **23-04**

(52) **U.S. Cl.**
USPC **D23/328**; D23/379; D23/332; D23/341;
D9/685

(58) **Field of Classification Search**

USPC D23/314, 328, 332, 370, 379, 381, 382,
D23/413, 213, 228, 356; D21/455, 458;
D19/123; D9/300, 337, 448, 500, 530,
D9/538, 539, 545, 552, 558, 685, 691
CPC F04D 25/084; A61L 9/122; A62C 11/00;
B05B 3/02; B05B 3/022; B05B 11/0002;
B05B 11/0005; B01F 3/04; B01F
3/04007; B01F 3/04035; B01F 3/04042
See application file for complete search history.

(56) **References Cited**

U.S. PATENT DOCUMENTS

D54,419 S 2/1920 Hotz
3,173,584 A 3/1965 Giavasis
D349,954 S 8/1994 Steiner et al.
5,338,495 A 8/1994 Steiner et al.
5,667,731 A 9/1997 Junkel et al.
D386,572 S 11/1997 Radtke et al.
D387,852 S 12/1997 Radtke et al.
5,752,662 A 5/1998 Hsu

OTHER PUBLICATIONS

Fan-spray-bottle. best-b2b.com [online image] 1 page. Date on Image is unknown-Linked to a blog from Jun. 6, 2011 [retrieved on May 20, 2016]. Retrieved from Internet: <http://mamascouts.blogspot.com/2011/06/its-small-world-after-all-tips-on.html> Image URL: <http://best-b2b.com/userimg/764/783-1/fan-spray-bottle-529.jpg>.

Primary Examiner — Susan Bennett Hattan

Assistant Examiner — Marie D. Fast Horse

(74) *Attorney, Agent, or Firm* — Thompson Coburn LLP

(57) **CLAIM**

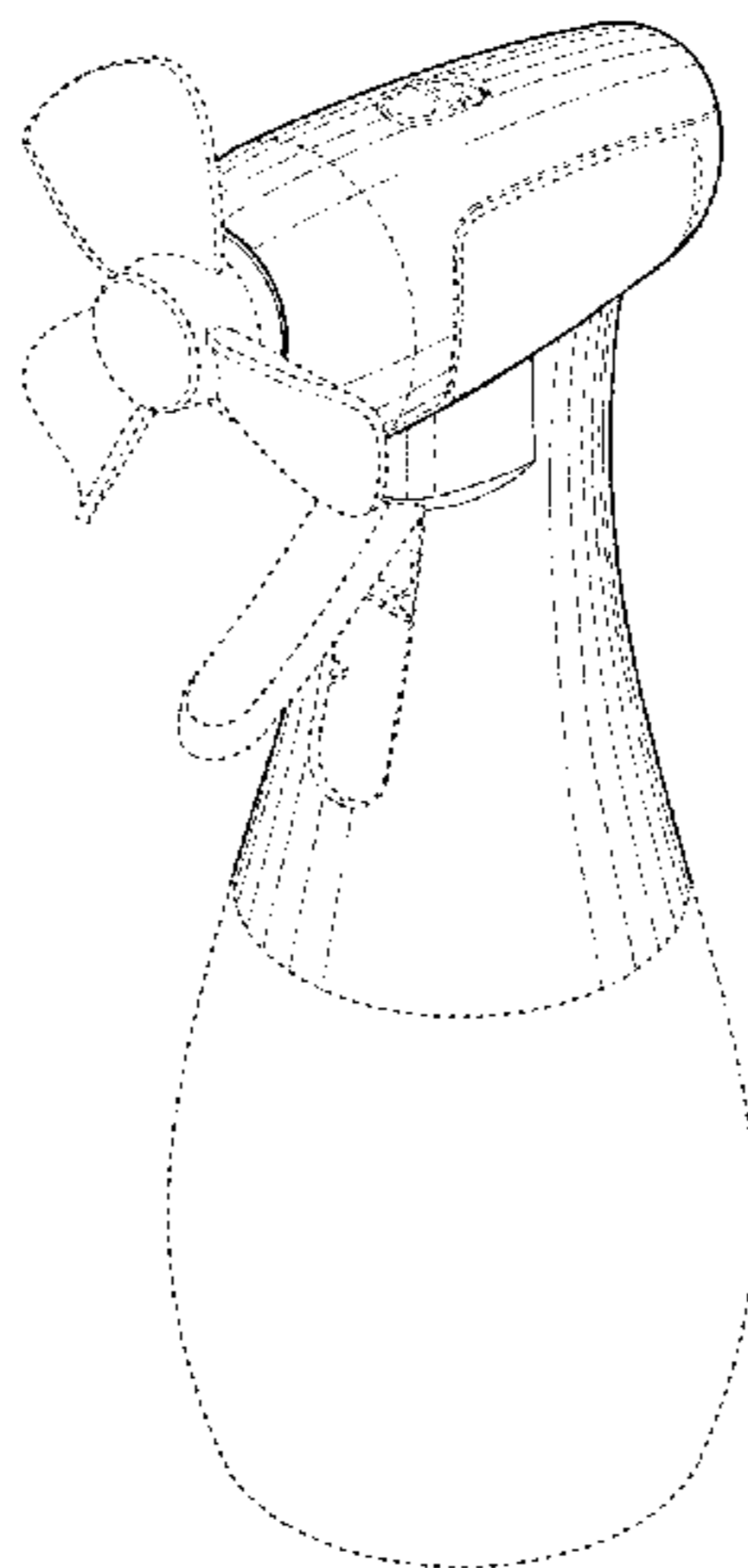
The ornamental design for a water misting fan, as shown and described.

DESCRIPTION

FIG. 1 is a first perspective view of the water misting fan showing our new design;
FIG. 2 is a second perspective view thereof;
FIG. 3 is a front view thereof;
FIG. 4 is a rear view thereof;
FIG. 5 is a right side view thereof;
FIG. 6 is a left side view thereof;
FIG. 7 is a top view thereof; and,
FIG. 8 is a bottom view thereof.

The broken lines immediately adjacent the shaded areas represent the bounds of the claimed design while all other broken lines are directed to unclaimed portions of the water misting fan; the broken lines form no part of the claimed design.

1 Claim, 5 Drawing Sheets



(56)

References Cited

U.S. PATENT DOCUMENTS

D486,885	S	2/2004	Graves et al.	
6,827,290	B2	12/2004	Zimmerman	
D503,212	S	3/2005	Peloquin	
D507,047	S	7/2005	Radtke, Jr. et al.	
7,143,958	B1	12/2006	Dorney	
D544,078	S	6/2007	Geringer	
D553,227	S	10/2007	Chen	
D554,242	S	10/2007	Chen	
D557,606	S	12/2007	Rashid	
D583,677	S	12/2008	Harrison et al.	
D619,460	S	7/2010	Beckerman	
D623,958	S	9/2010	Schaeffer et al.	
D643,737	S	8/2011	Handy	
D668,551	S	* 10/2012	Kersten	D9/685
D669,364	S	* 10/2012	Schaeffer	D9/685
D671,004	S	11/2012	Kelly et al.	
D674,706	S	* 1/2013	Birdwell	D9/685
D676,536	S	2/2013	Roach et al.	
D686,509	S	7/2013	Ashiwa et al.	
D698,428	S	1/2014	Sands et al.	
D703,308	S	4/2014	Peterson et al.	
D722,134	S	2/2015	Levy et al.	
D728,316	S	5/2015	Breit	
D733,282	S	6/2015	Peterson et al.	
D741,462	S	10/2015	Champ	
9,339,827	B2	5/2016	Chan	
D770,022	S	* 10/2016	Breit	D23/328
D773,630	S	* 12/2016	Breit	D23/328
2006/0273195	A1	12/2006	Junkel	
2008/0237899	A1	10/2008	Chen	
2008/0237900	A1	10/2008	Junkel et al.	
2014/0014740	A1	1/2014	Sands et al.	
2014/0360543	A1	12/2014	Steiner	

* cited by examiner

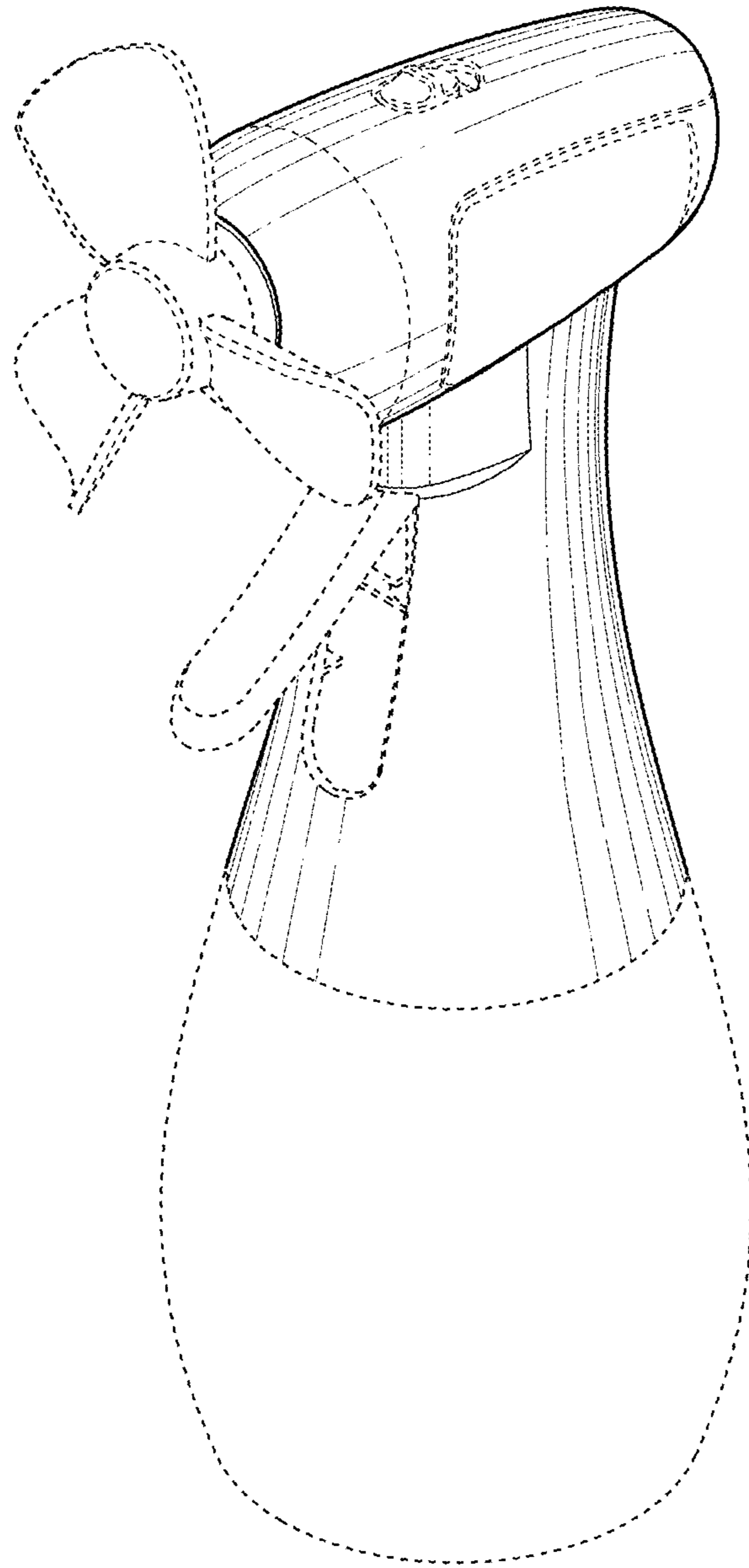


FIG. 1

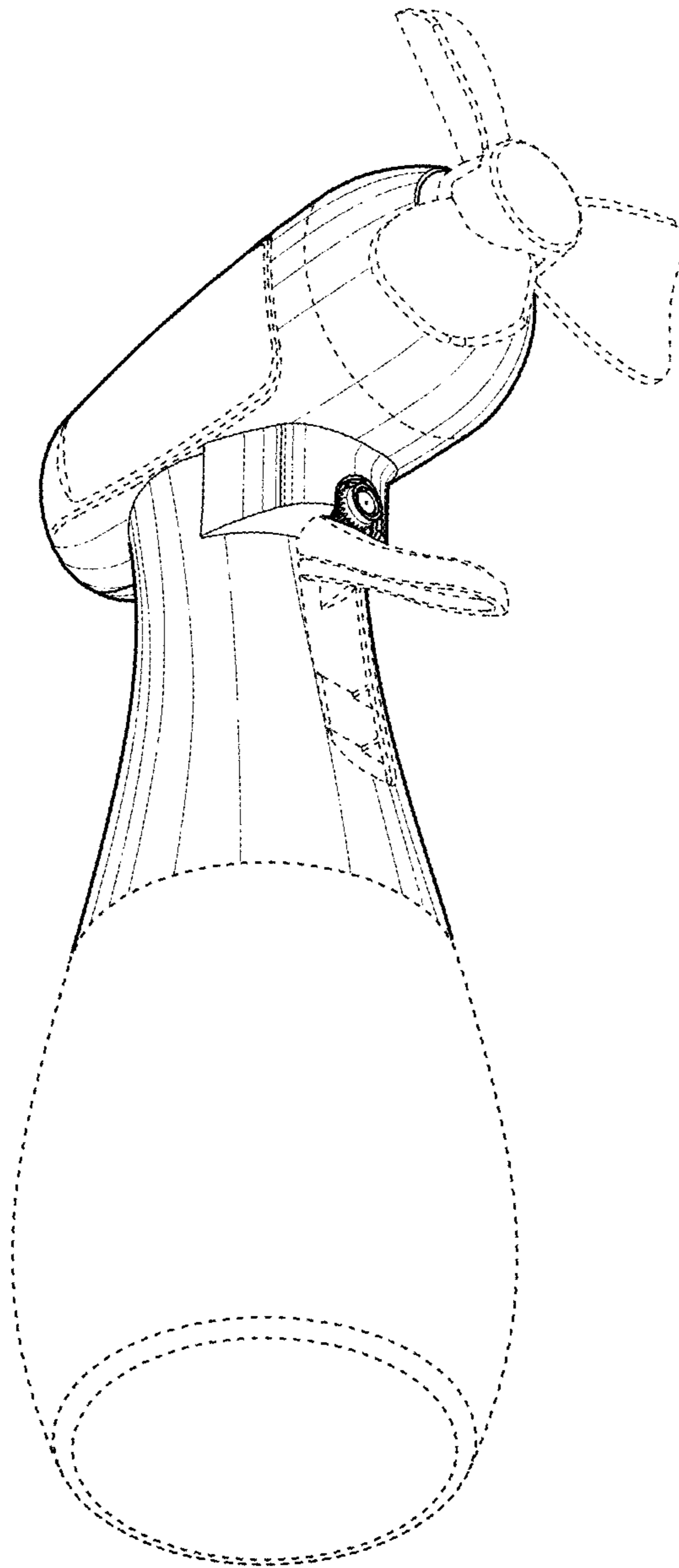


FIG. 2

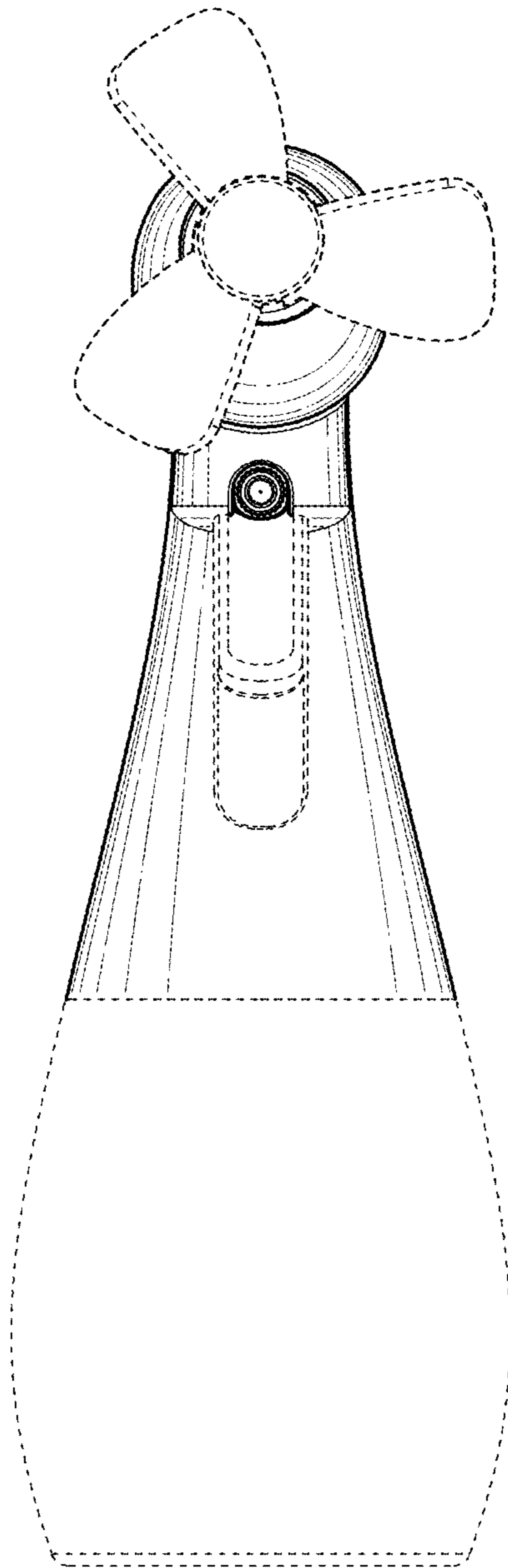


FIG. 3

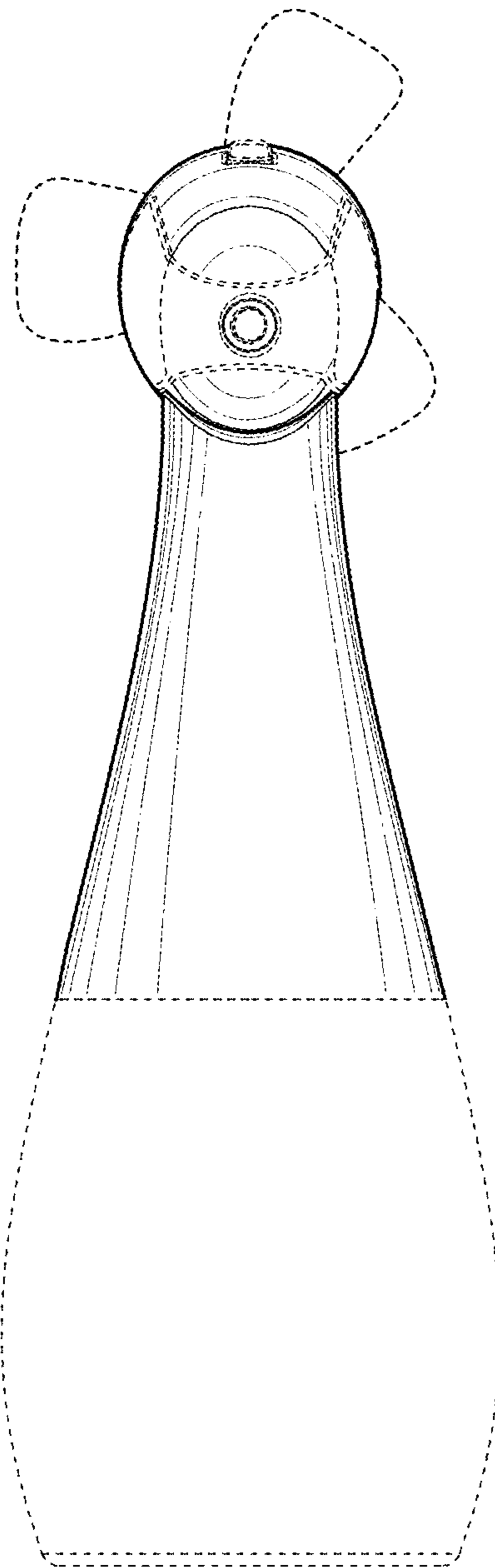


FIG. 4

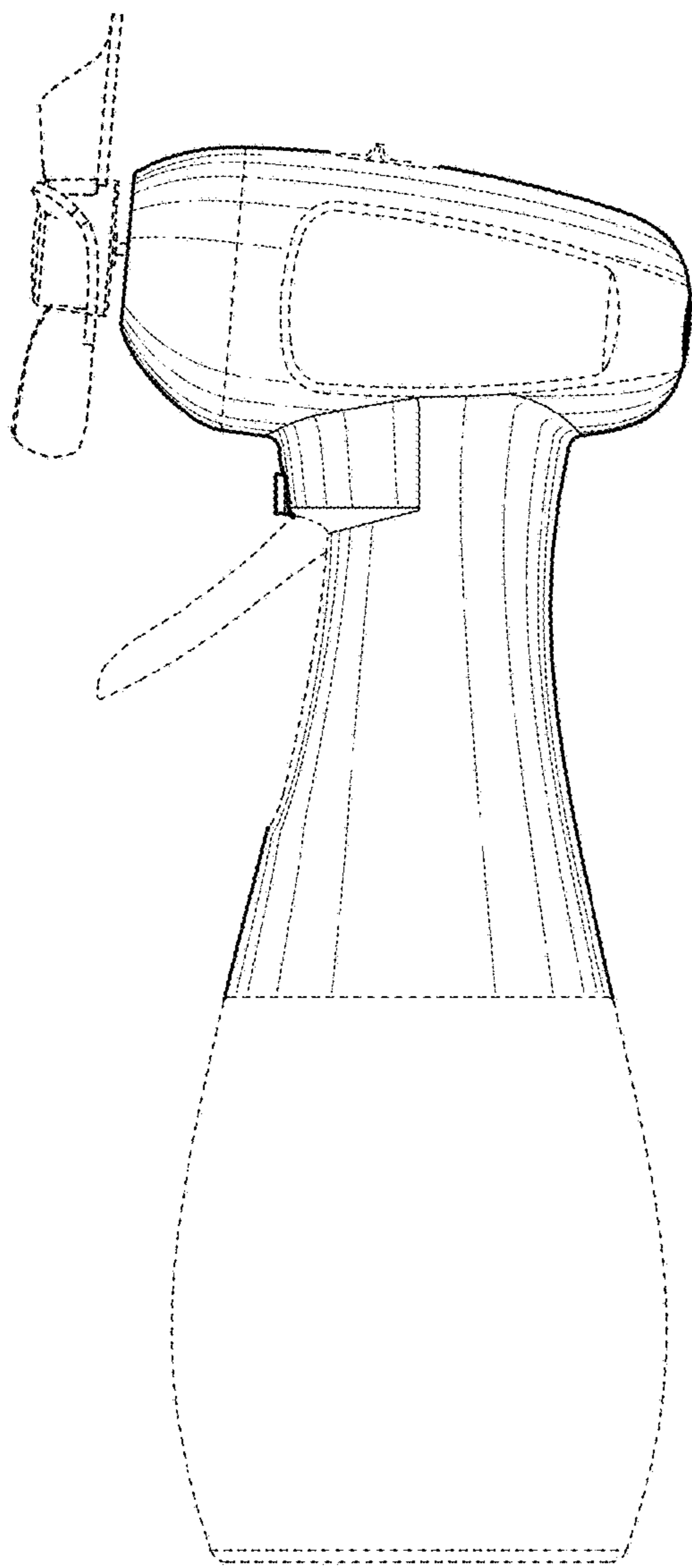


FIG. 5

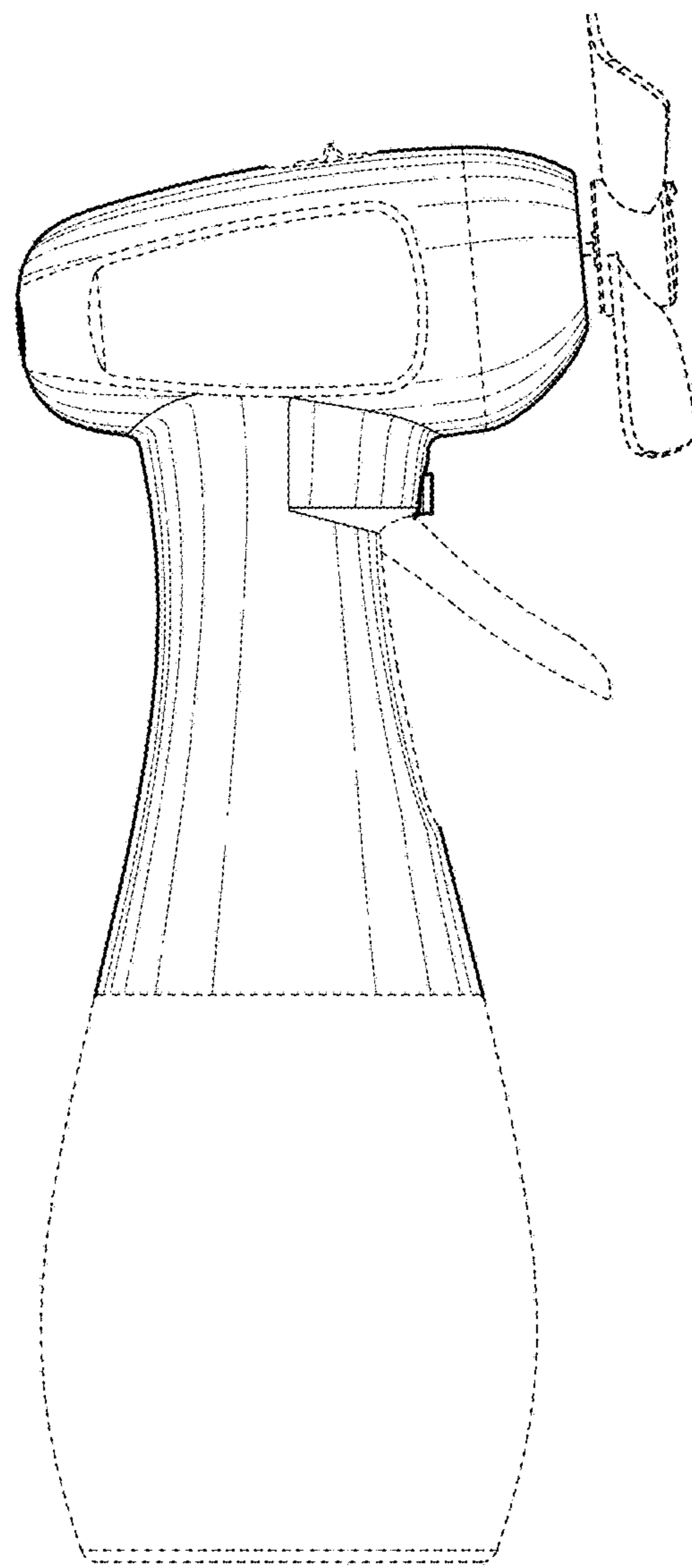


FIG. 6

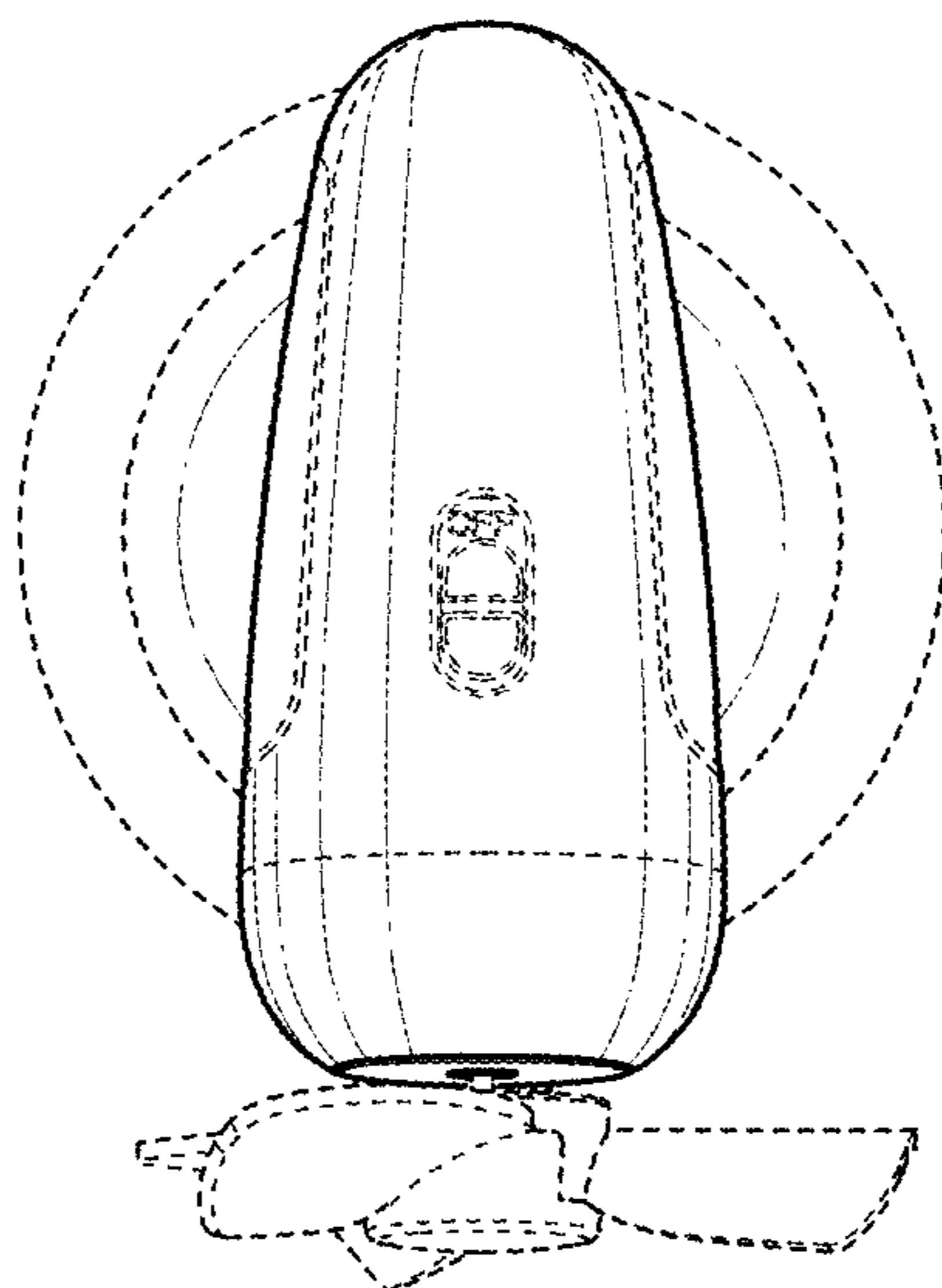


FIG. 7

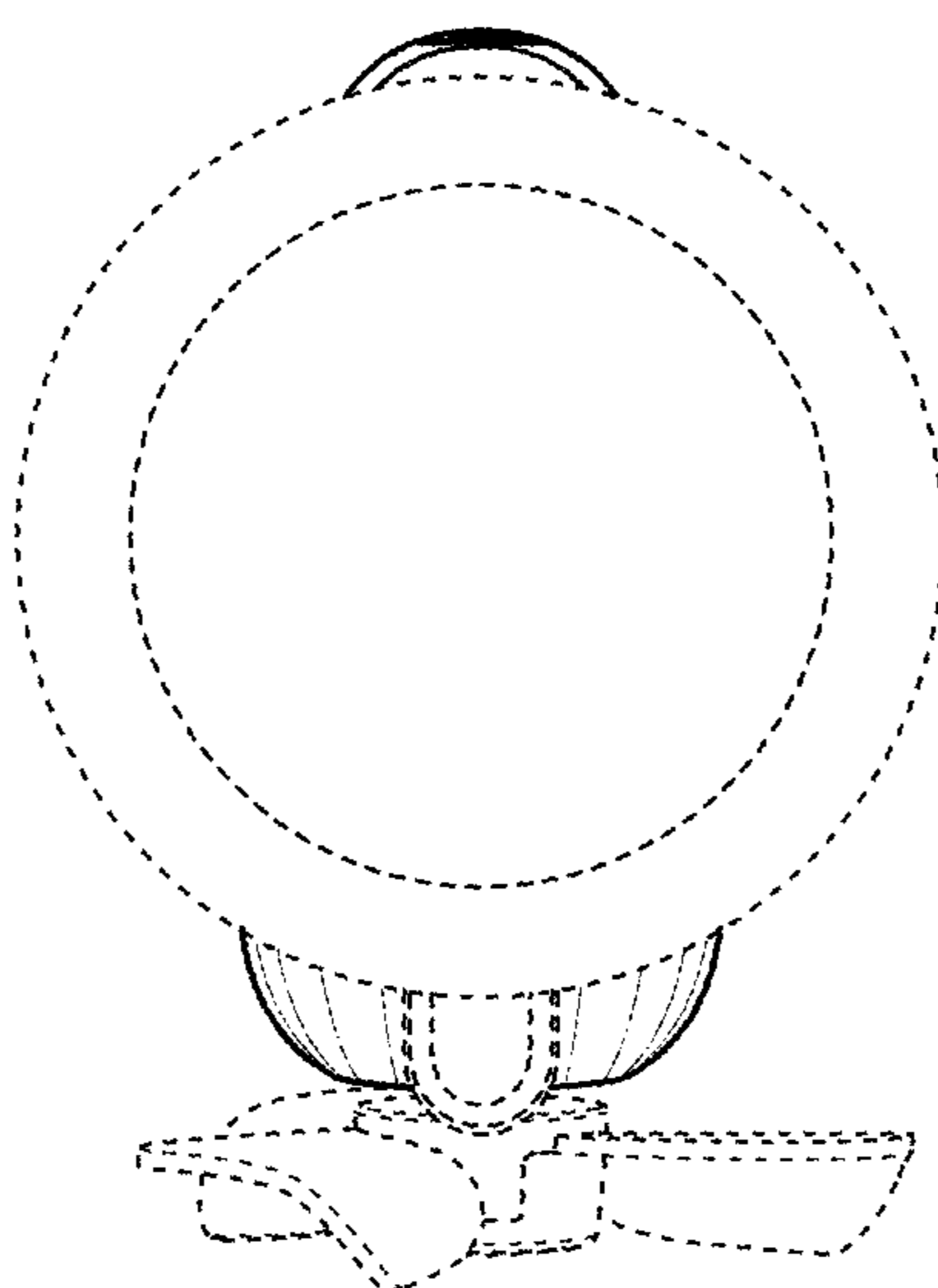


FIG. 8