



US00D807992S

(12) **United States Design Patent** (10) **Patent No.:** **US D807,992 S**  
**Lor** (45) **Date of Patent:** **\*\* Jan. 16, 2018**

(54) **URINAL** 5,778,461 A \* 7/1998 Attaway ..... A61G 9/003  
4/450  
(71) Applicant: **Walor, Inc.**, Fresno, CA (US) 5,799,340 A 9/1998 Hubrig et al.  
5,819,331 A 10/1998 Miuccio  
(72) Inventor: **Eddie Lor**, Riverside, CA (US) 6,079,057 A 6/2000 Mette  
6,299,606 B1 \* 10/2001 Young ..... A61B 10/007  
604/317

(\*\*) Term: **15 Years** (Continued)

(21) Appl. No.: **29/577,065**

FOREIGN PATENT DOCUMENTS

(22) Filed: **Sep. 9, 2016**  
(51) **LOC (11) Cl.** ..... **23-02**  
(52) **U.S. Cl.**  
USPC ..... **D23/302**

CA 2673008 12/2010  
CN 201127560 10/2008

(Continued)

(58) **Field of Classification Search**  
USPC ..... D23/295-303, 307, 309, 310, 313  
CPC ..... E03D 11/08; E03D 11/18; E03D 5/10;  
E03D 13/00; A47K 11/00; A47K 13/00;  
Y10S 4/05

OTHER PUBLICATIONS

A Guide to Better Public Toilet Design and Maintenance, Third Edition, by the Restroom Association of Singapore, Zhi Tong (May 6, 2014).

(Continued)

See application file for complete search history.

(56) **References Cited**

*Primary Examiner* — Robert M. Spear

*Assistant Examiner* — John A Voytek

(74) *Attorney, Agent, or Firm* — Law Offices of Jon E. Kappes, PLC

U.S. PATENT DOCUMENTS

D185,767 S \* 7/1959 McCann ..... 4/310  
D204,052 S \* 3/1966 Hilde ..... D23/302  
3,500,480 A 3/1970 Michal, Jr.  
3,742,522 A 7/1973 Stevenson  
3,822,419 A 7/1974 Wilson  
D240,132 S \* 6/1976 Torbjorn ..... D23/302  
4,137,579 A 2/1979 Soler  
D258,682 S \* 3/1981 Wilson ..... D23/302  
4,549,321 A 10/1985 Douillard  
4,982,455 A 1/1991 Carter  
5,054,132 A \* 10/1991 Bartella ..... E03D 5/04  
4/302

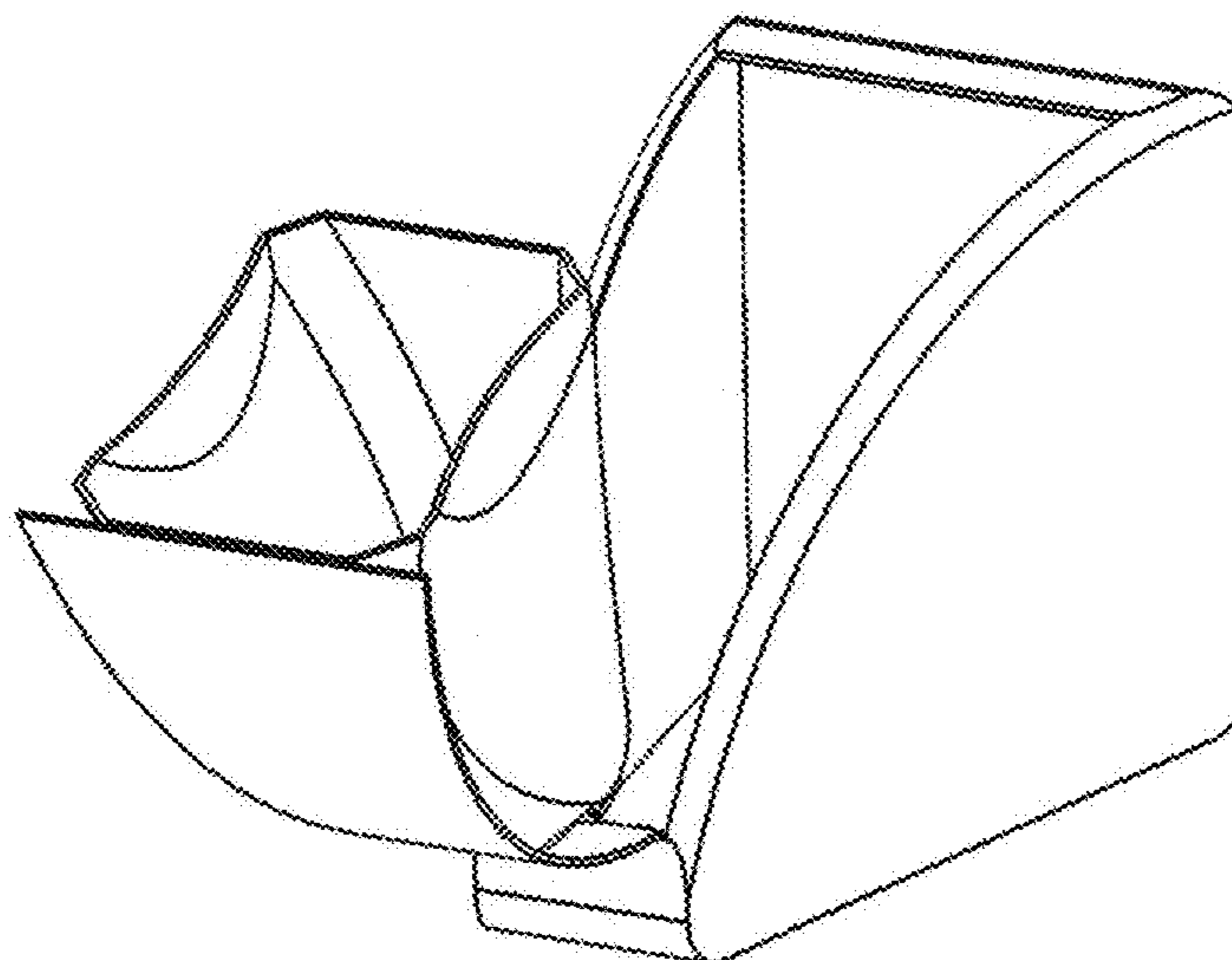
(57) **CLAIM**

The ornamental design for a urinal, as shown and described.

**DESCRIPTION**

FIG. 1 is a perspective view of a urinal showing my new design;  
FIGS. 2A and 2B are side elevational views thereof.  
FIGS. 3A and 3B are top and bottom views thereof.  
FIGS. 4A and 4B are front and rear elevational views thereof; and,  
FIG. 5 is a perspective view of the receptacle portion of the urinal shown in FIGS. 1-4.

**1 Claim, 5 Drawing Sheets**



(56)

References Cited

U.S. PATENT DOCUMENTS

6,305,034	B1	10/2001	Perez Urrutia	
D458,669	S *	6/2002	Sanders .....	D23/307
6,408,449	B1	6/2002	Aguirre	
6,496,989	B1	12/2002	Meiser	
6,546,566	B1	4/2003	Geisel	
6,668,388	B2	12/2003	Buttigieg	
6,978,491	B1	12/2005	Miller	
7,228,572	B1	6/2007	Holden	
7,331,068	B1	2/2008	Tichenor	
D585,970	S *	2/2009	Dereci .....	D23/302
D588,248	S *	3/2009	Cummings .....	D23/302
7,496,974	B1	3/2009	Kang	
7,585,293	B2 *	9/2009	Vermaak .....	A61B 10/007 604/317
8,001,625	B2	8/2011	Tillman	
8,032,955	B1	10/2011	Emerson	
8,166,579	B2	5/2012	Mehta	
8,181,283	B2	5/2012	Burch	
8,337,477	B2 *	12/2012	Parks .....	A61F 5/4556 604/329
8,424,125	B2	4/2013	Anderson	
2010/0037379	A1	2/2010	Hanson et al.	
2012/0246816	A1	10/2012	Jung	
2016/0060856	A1 *	3/2016	McIntyre .....	E03D 13/00 4/311

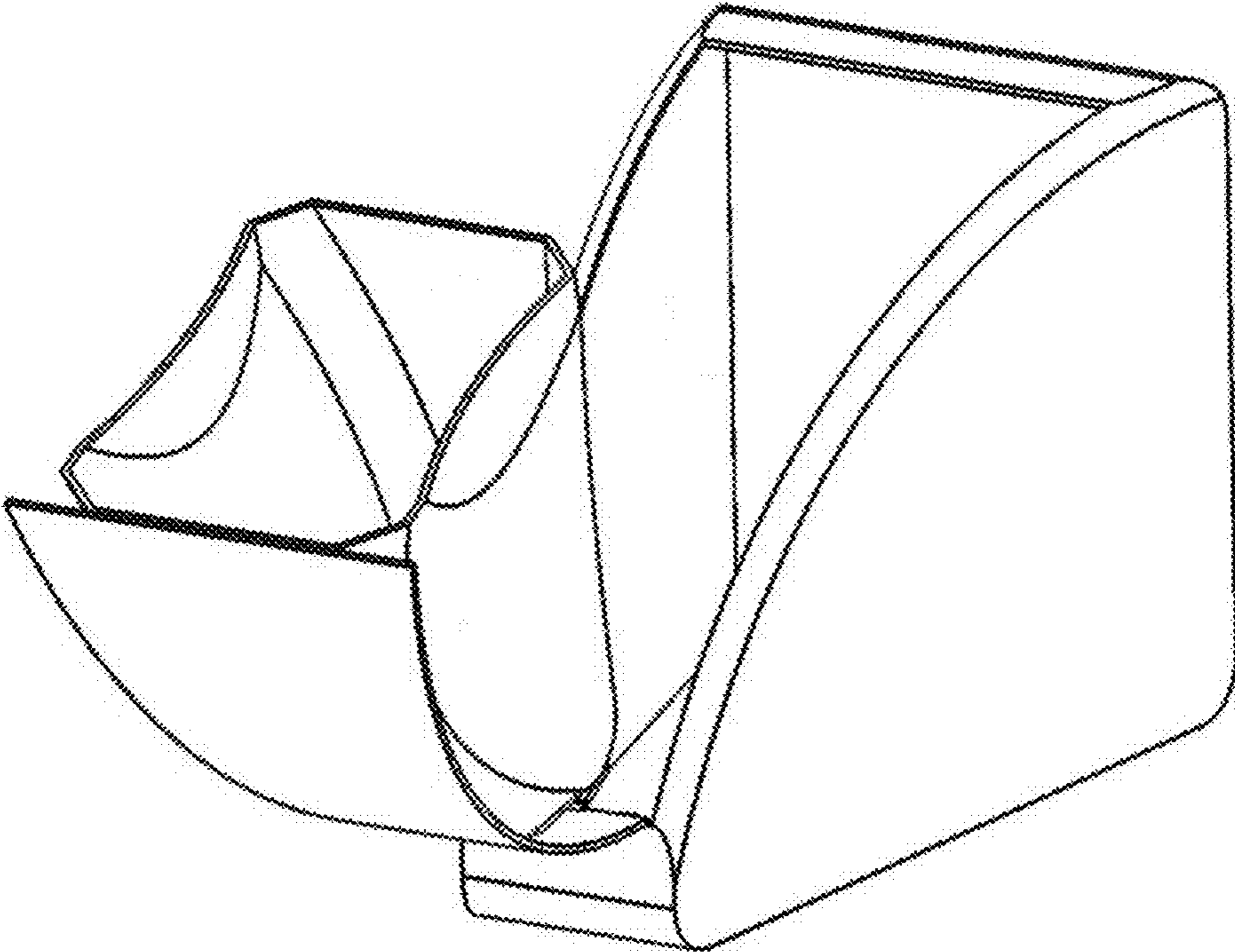
FOREIGN PATENT DOCUMENTS

CN	203320672	12/2013
CN	104278728	1/2015
DE	3742760	8/1988
EP	1730363	12/2006
GB	2368519	5/2002
WO	WO2011098620	8/2011

OTHER PUBLICATIONS

A Guide to the Urinal, Sam Mac, et al. (Dec. 31, 2005).  
 Floor Waste Outlet, Free-Standing Cabinet with Bed Pan Washer, Pivoting Toilet, Rectangular Lavatory, Anonymous (Oct. 6, 2015).  
 Folding Installable Home Urinal Provides Class, Jason Chen (Oct. 3, 2007).  
 Main Drain Adds a Clip-On, Adjustable Urinal to Your Toilet, Anonymous (Feb. 2, 2015).  
 Preliminary Third Party Search Report, Anonymous (Jan. 21, 2016).  
 Smart Nest Thermostat: A Smart Spy in Your Home, Security in Silicon Laboratory, University of Central Florida, Grant Hernandez, et al. (Jul. 3, 2014).  
 Ultimate Clean Toilet with Two Systems for Public Toilet, Anonymous (Sep. 2, 2009).

\* cited by examiner



**FIGURE 1**

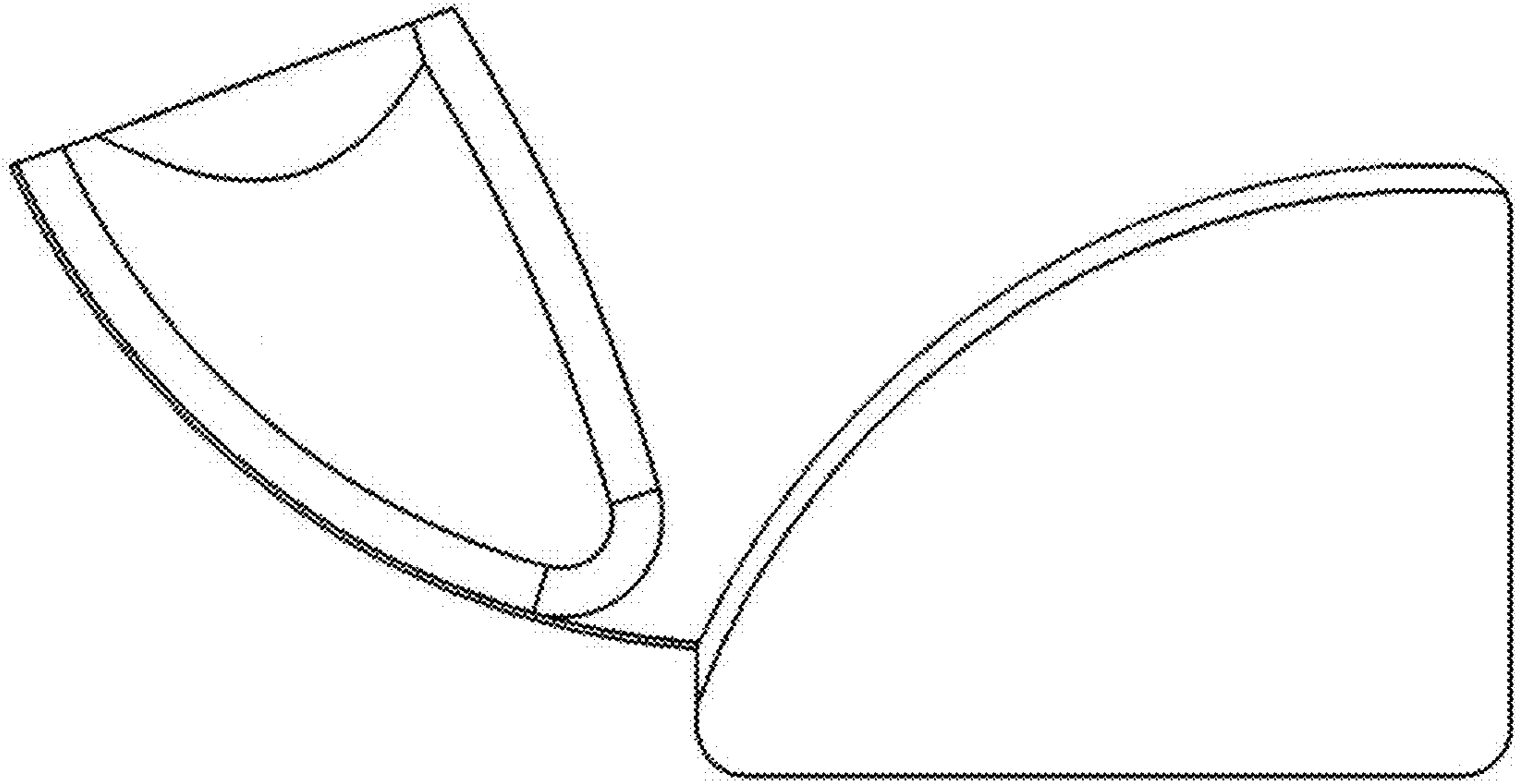


FIGURE 2A

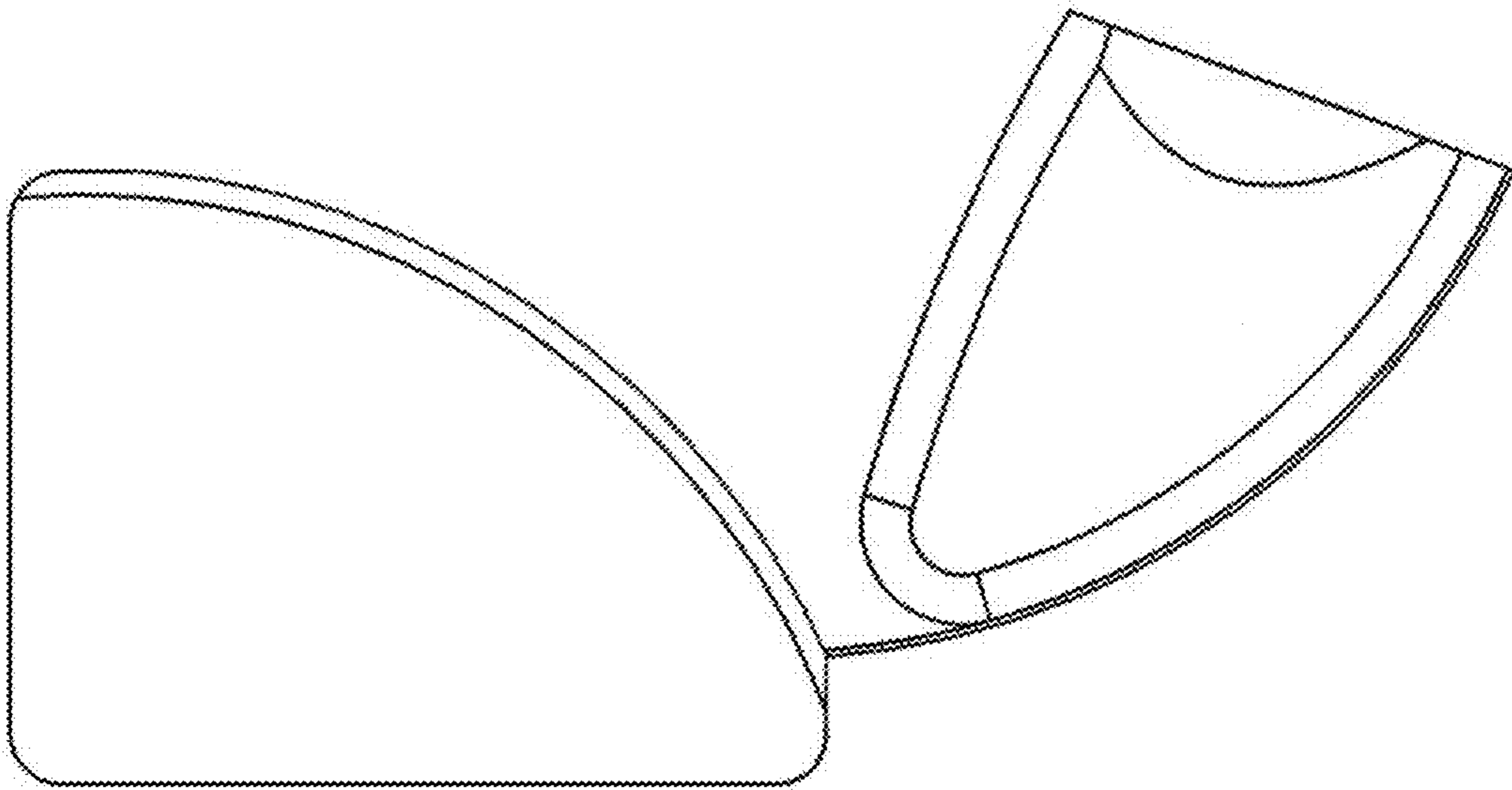


FIGURE 2B

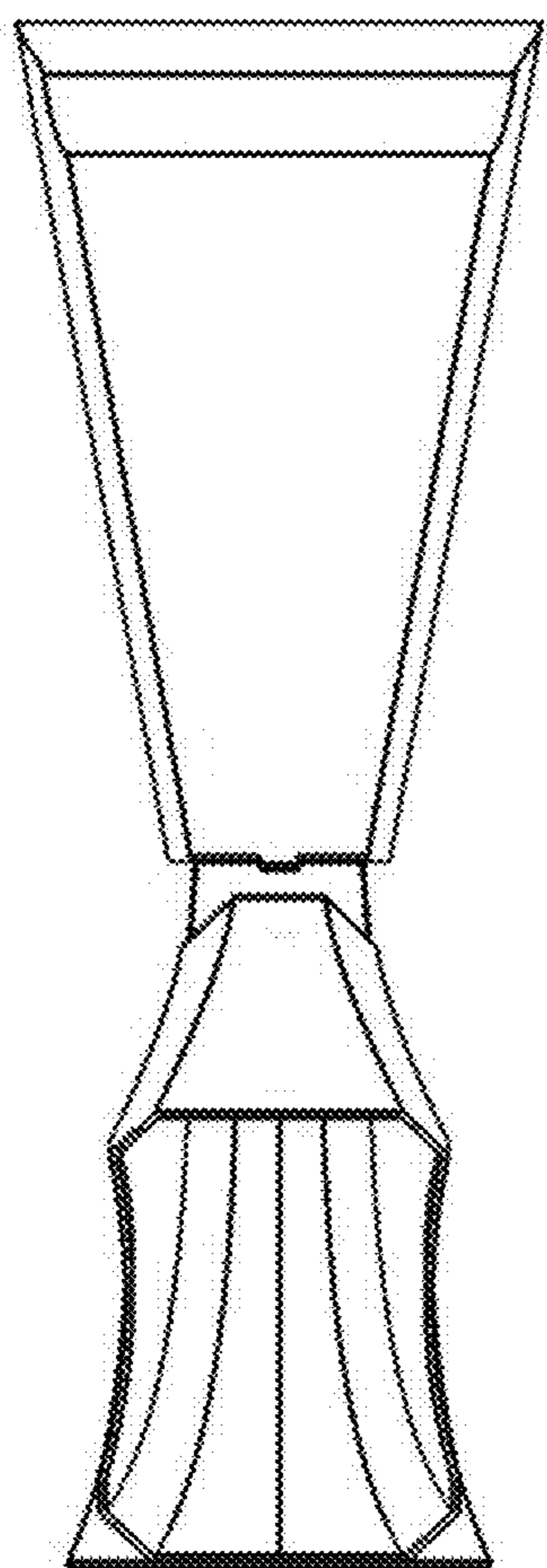


FIGURE 3A

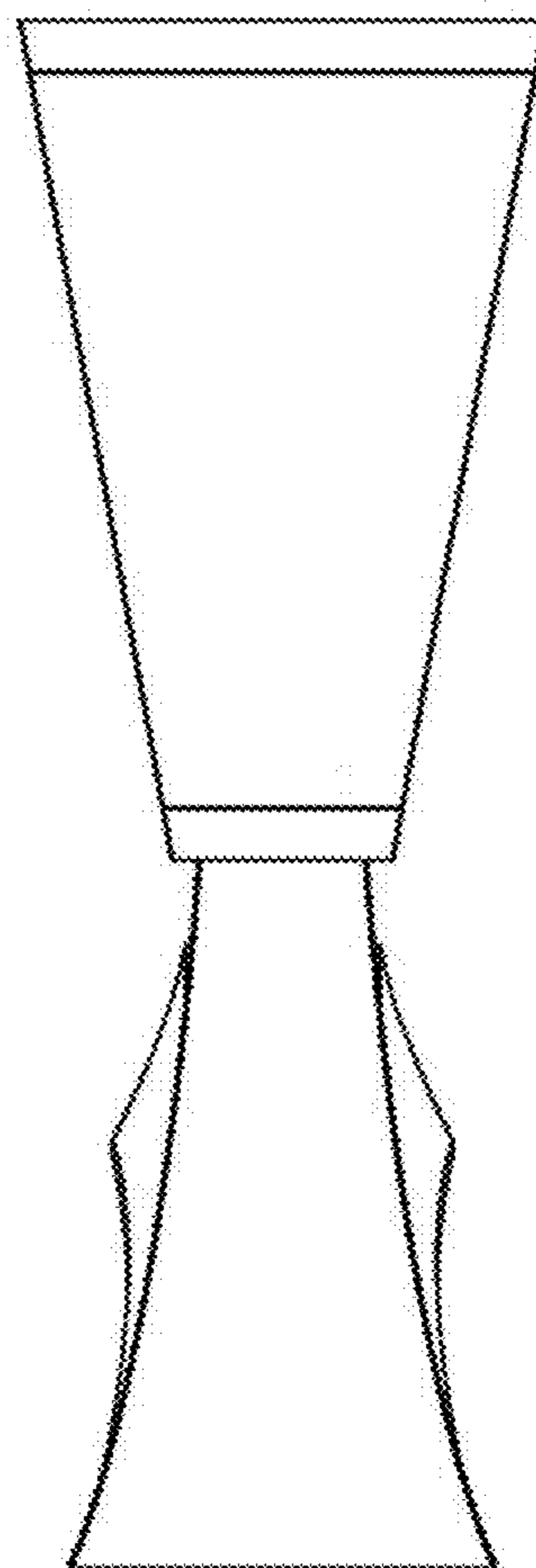
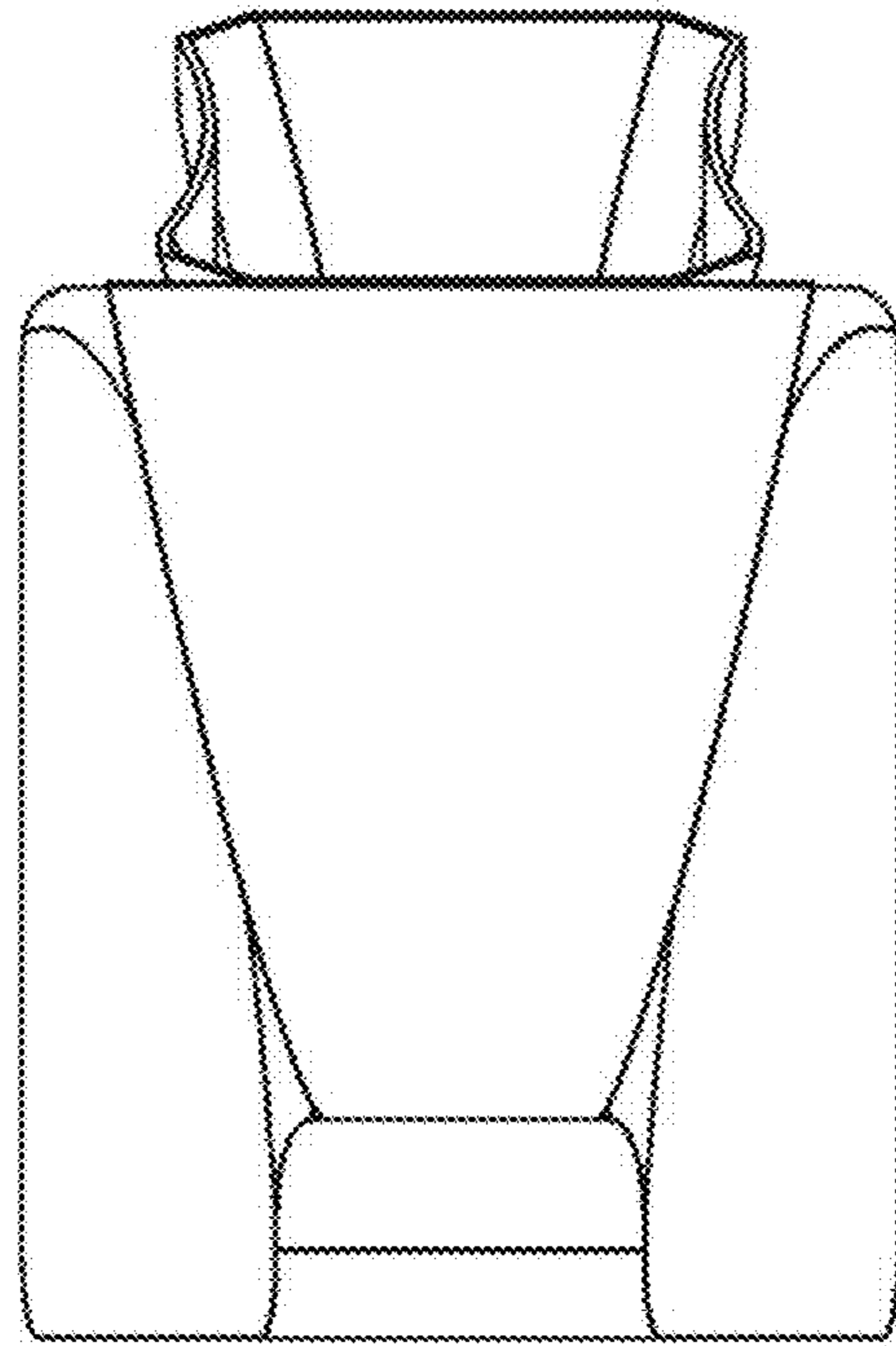
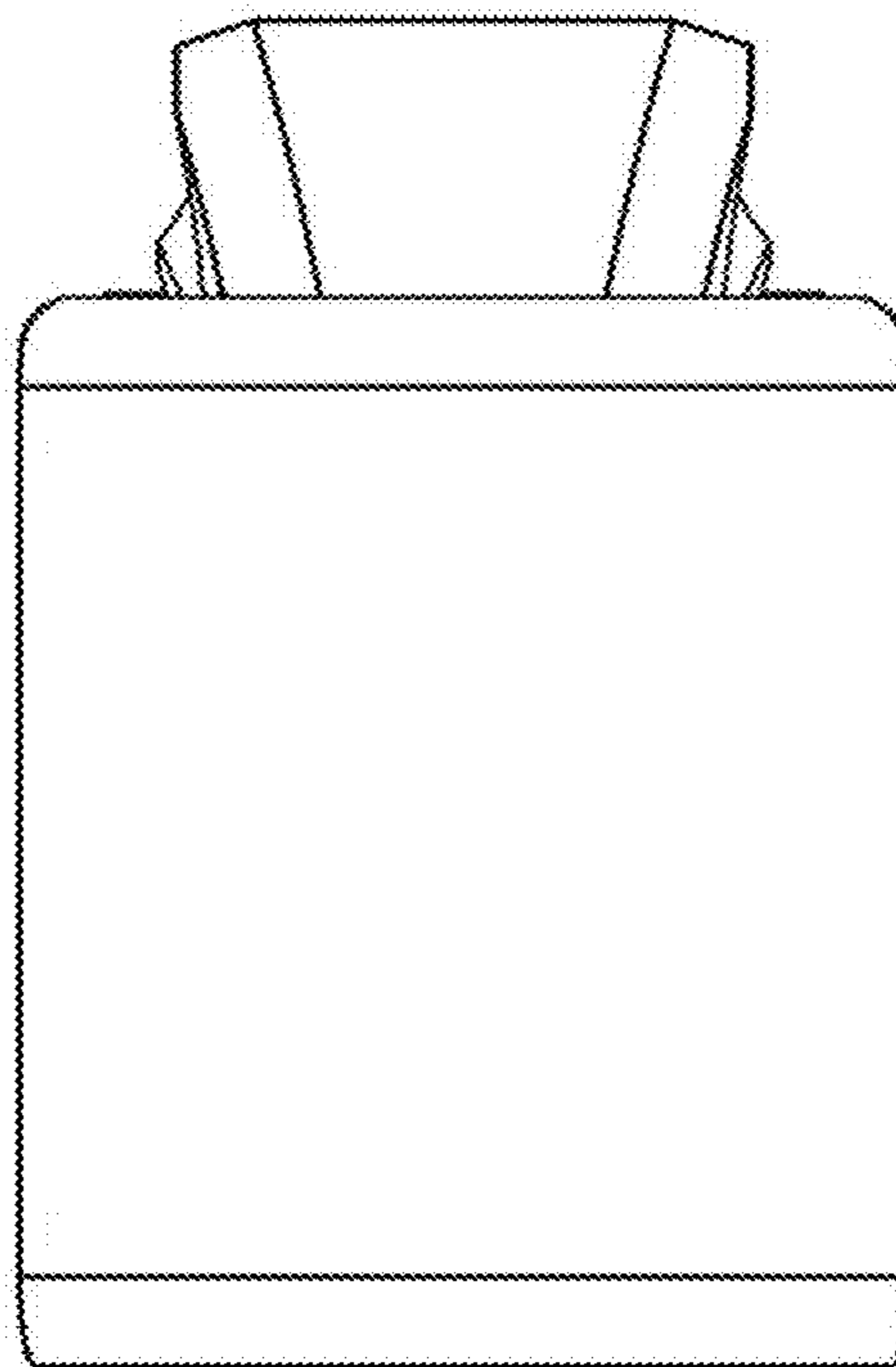


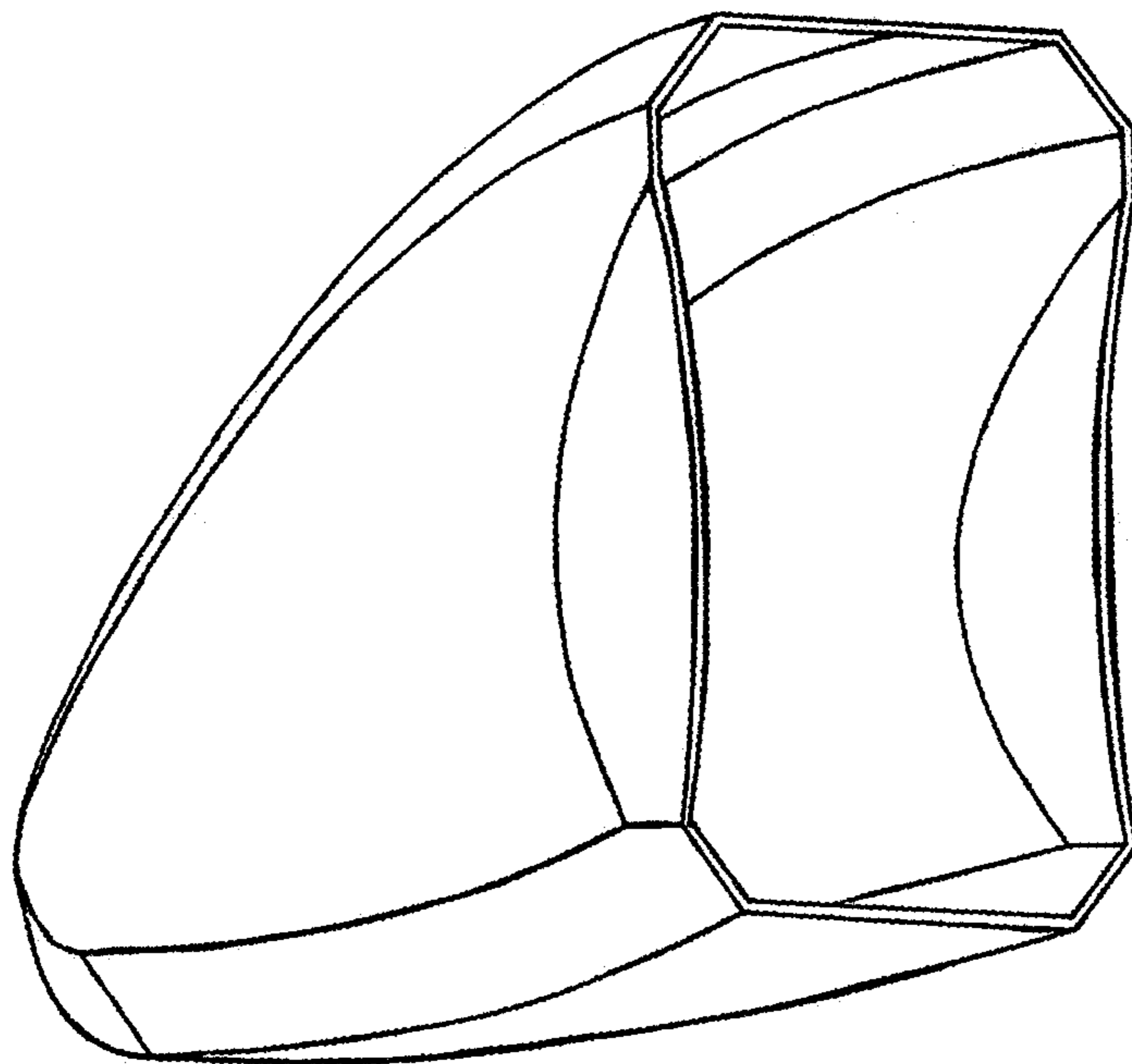
FIGURE 3B



**FIGURE 4A**



**FIGURE 4B**



**FIGURE 5**