



US00D807991S

(12) **United States Design Patent**  
**Fitzhugh et al.**

(10) **Patent No.: US D807,991 S**

(45) **Date of Patent: \*\* \*Jan. 16, 2018**

(54) **COMPACT BALL SEAT DOWNHOLE PLUG**

(71) Applicant: **Peak Completion Technologies, Inc.**,  
Midland, TX (US)

(72) Inventors: **Bryan Fitzhugh**, Midland, TX (US);  
**William Sloane Muscroft**, Midland,  
TX (US)

(73) Assignee: **Peak Completion Technologies INC.**,  
Midland, TX (US)

(\*) Notice: This patent is subject to a terminal dis-  
claimer.

(\*\*) Term: **15 Years**

(21) Appl. No.: **29/548,133**

(22) Filed: **Dec. 10, 2015**

**Related U.S. Application Data**

(63) Continuation-in-part of application No. 14/844,192,  
filed on Sep. 3, 2015.

(51) **LOC (11) Cl.** ..... **23-01**

(52) **U.S. Cl.**  
USPC ..... **D23/260**; D15/21

(58) **Field of Classification Search**  
USPC ..... D23/259–262, 265–269; D15/21, 28,  
D15/138–140  
CPC ..... E21B 33/12; E21B 43/12  
See application file for complete search history.

(56) **References Cited**

**U.S. PATENT DOCUMENTS**

D450,814 S *	11/2001	Aldred	.....	D15/140
D463,537 S *	9/2002	Kozu	.....	D23/233
D483,096 S *	12/2003	Gotoh	.....	D23/235
D657,807 S *	4/2012	Frazier	.....	D15/139
D672,794 S	12/2012	Frazier		
D673,183 S *	12/2012	Frazier	.....	D15/21

D683,435 S *	5/2013	Cantu	.....	D23/260
D684,612 S *	6/2013	Frazier	.....	D15/139
D694,281 S	11/2013	Frazier		
D703,698 S	4/2014	Frazier		
D709,994 S *	7/2014	King	.....	F16L 21/035
				D23/259
8,887,811 B2 *	11/2014	Hofman	.....	E21B 34/14
				166/317

2011/0067889 A1	3/2011	Marya et al.		
2011/0277987 A1	11/2011	Frazier		
2011/0277989 A1	11/2011	Frazier		
2011/0290473 A1	12/2011	Frazier		
2012/0279700 A1	11/2012	Frazier		
2012/0006532 A1	12/2012	Frazier		
2013/0240203 A1	9/2013	Frazier		

(Continued)

*Primary Examiner* — Eric L Goodman  
*Assistant Examiner* — Amy C Wierenga

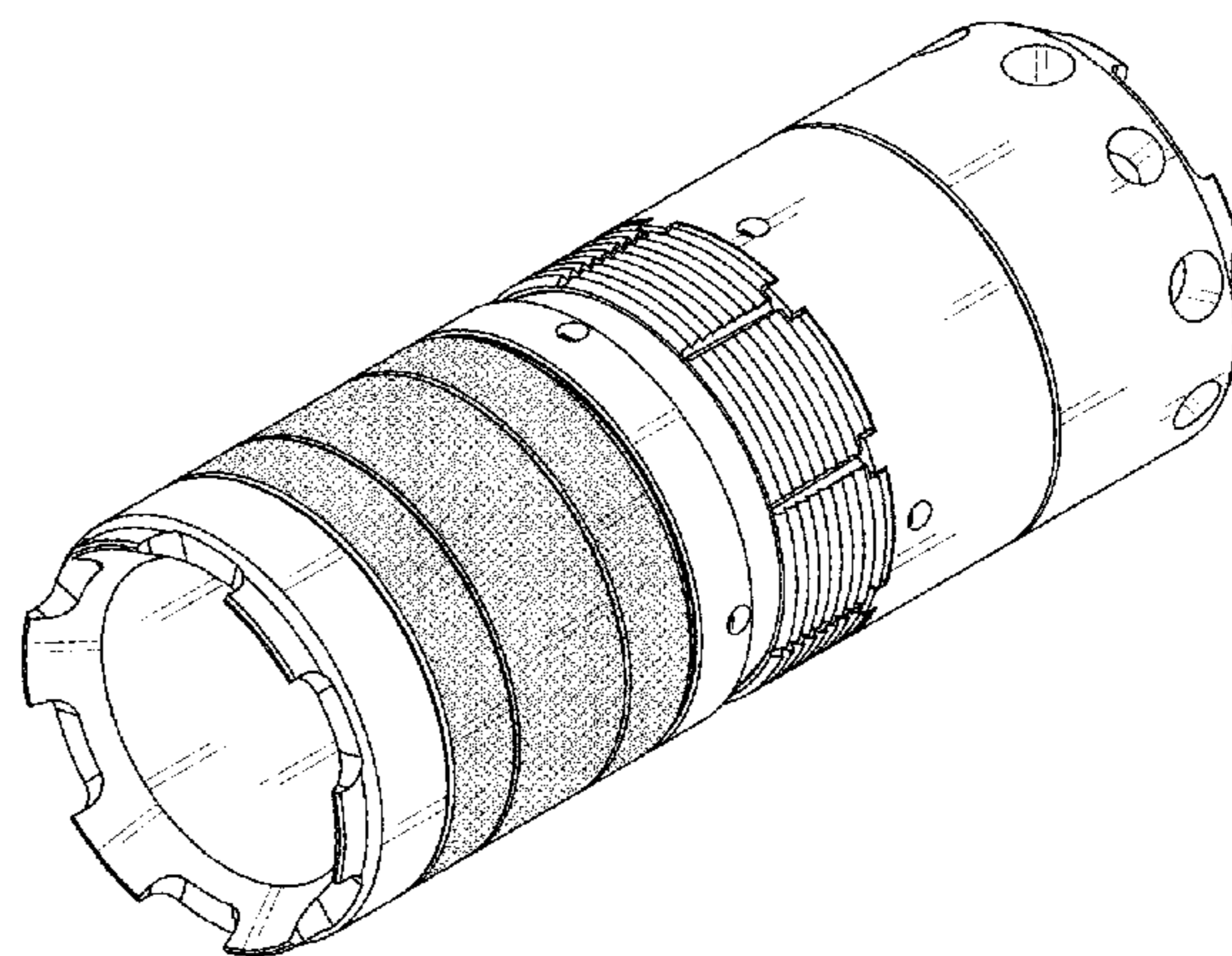
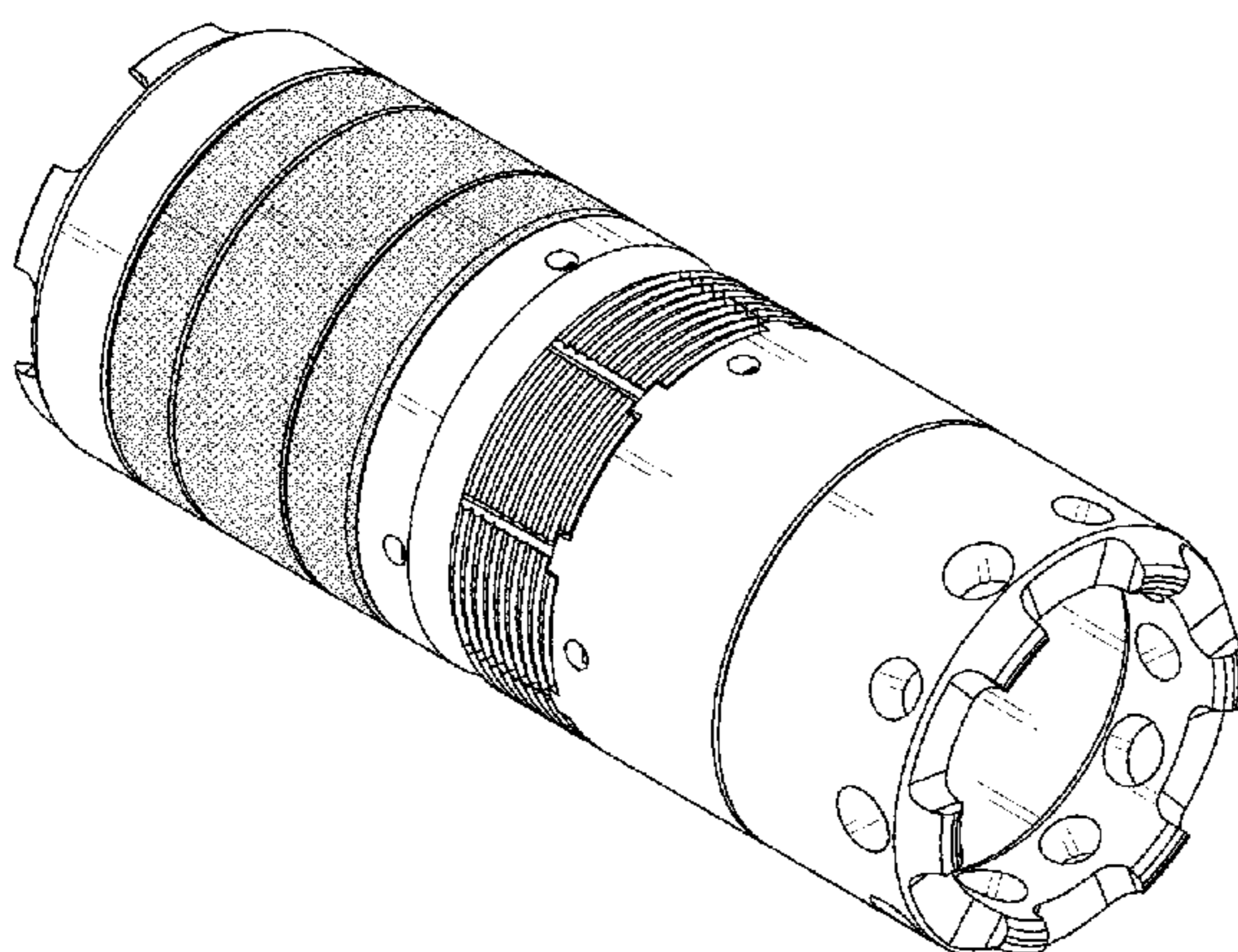
(57) **CLAIM**

The ornamental design for a compact ball seat downhole plug, as shown and described.

**DESCRIPTION**

FIG. 1 is a perspective view of a compact ball seat downhole plug;  
FIG. 2 is another perspective view of the compact ball seat downhole plug;  
FIG. 3 is a left side plan view of the compact ball seat downhole plug;  
FIG. 4 is a right side plan view of the compact ball seat downhole plug;  
FIG. 5 is a front side plan view of the compact ball seat downhole plug.  
FIG. 6 is a back side plan view of the compact ball seat downhole plug.  
FIG. 7 is a top plan view of the compact ball seat downhole plug; and,  
FIG. 8 is a bottom plan view of the compact ball seat downhole plug.

**1 Claim, 4 Drawing Sheets**



(56)

**References Cited**

U.S. PATENT DOCUMENTS

2013/0292119 A1 11/2013 Hilliard et al.  
2015/0233208 A1\* 8/2015 Muscroft ..... E21B 34/12  
166/374  
2016/0061001 A1\* 3/2016 Fitzhugh ..... E21B 23/06  
166/386

\* cited by examiner

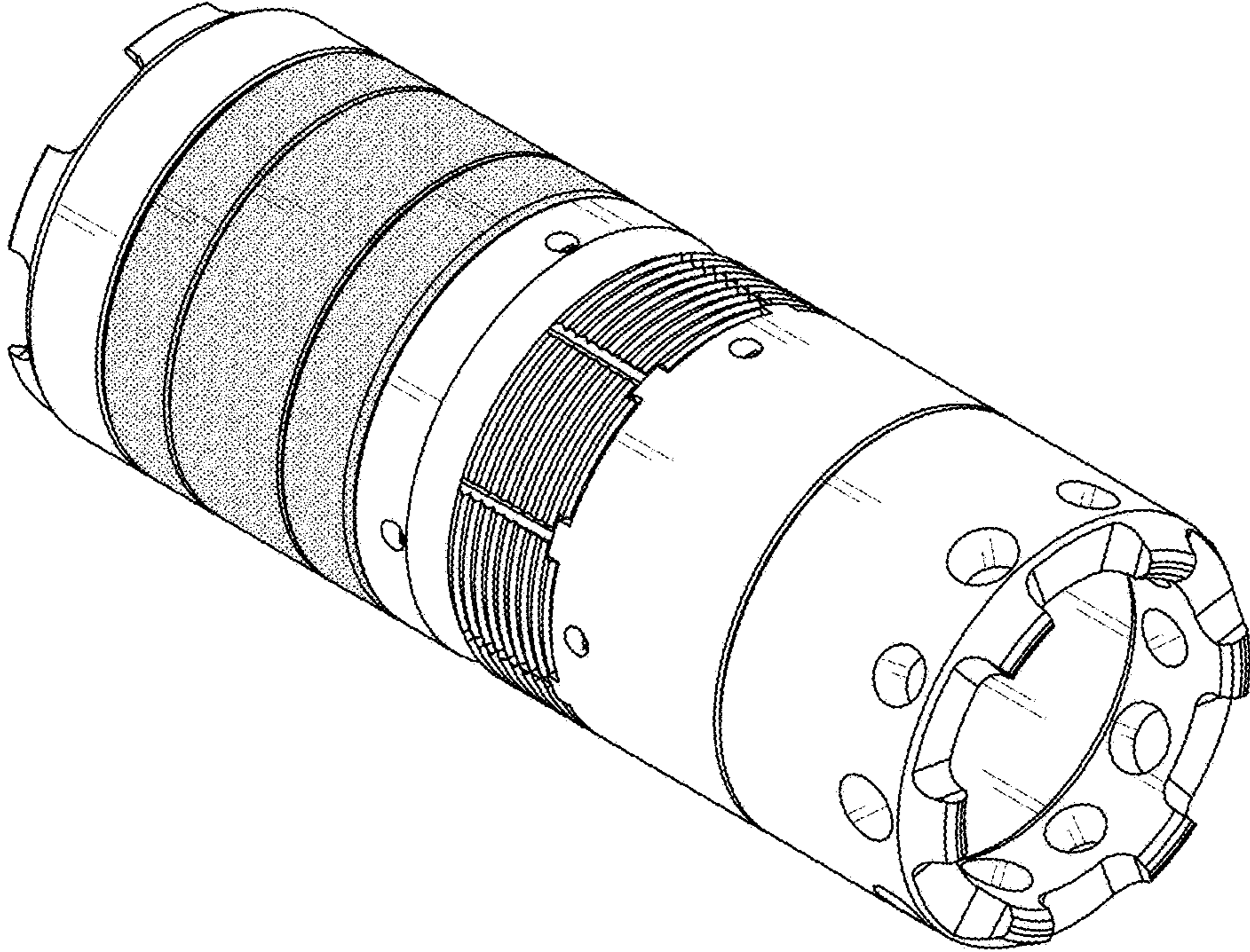


FIG. 1

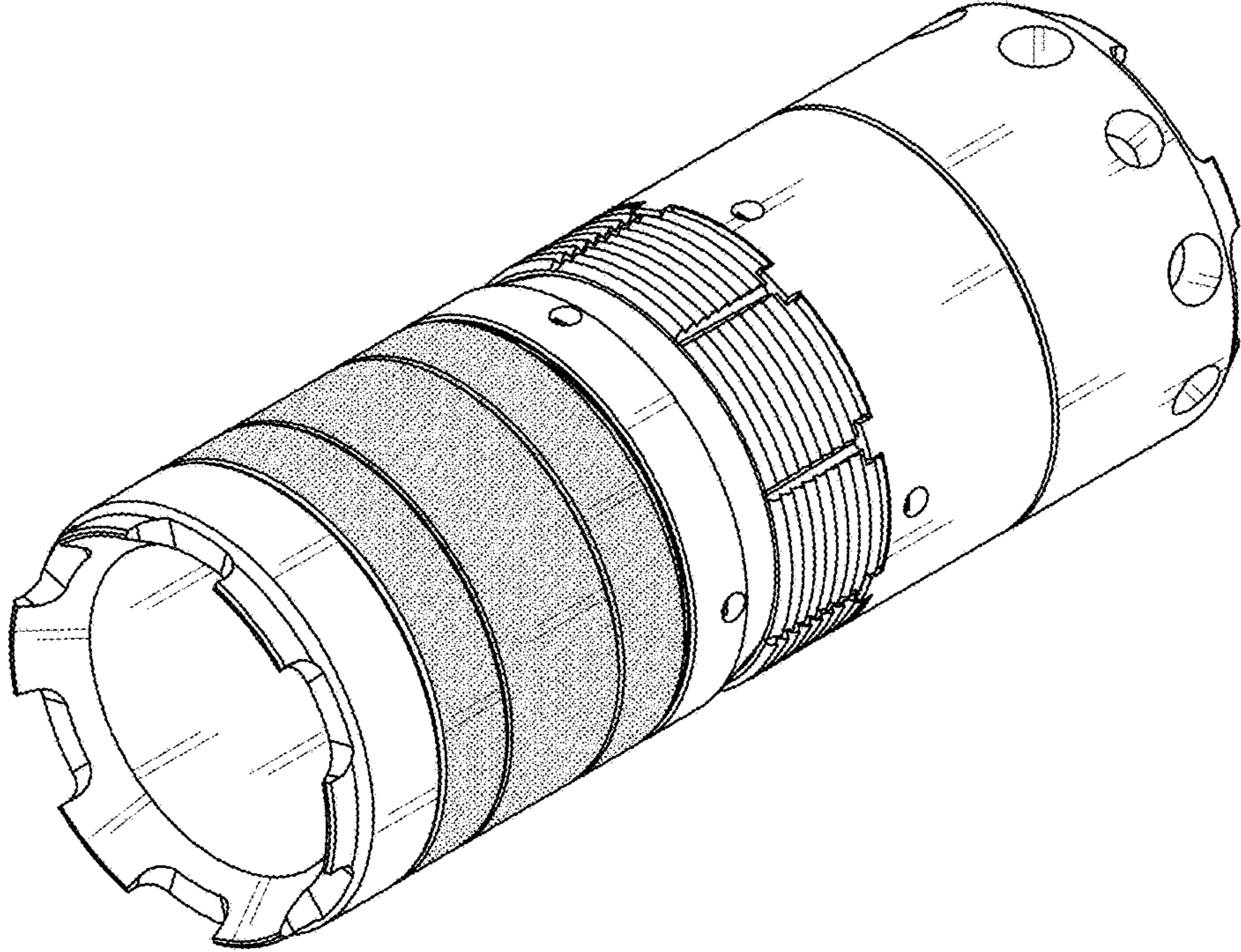
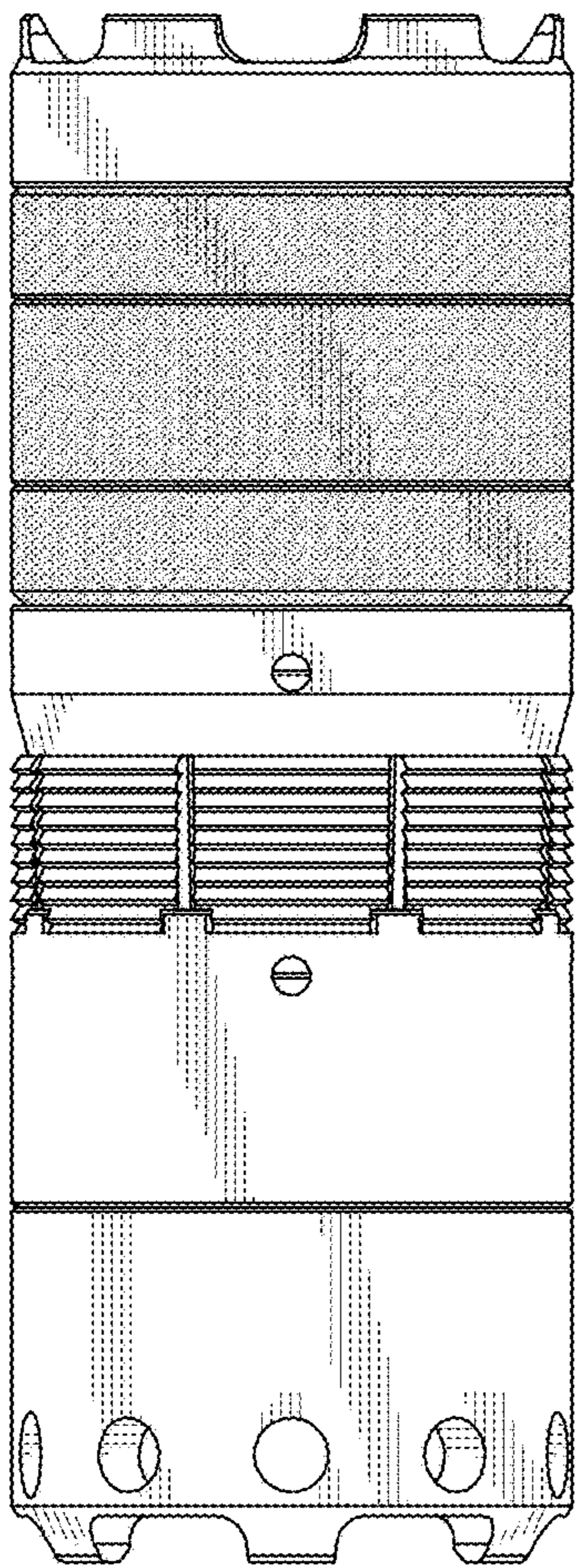
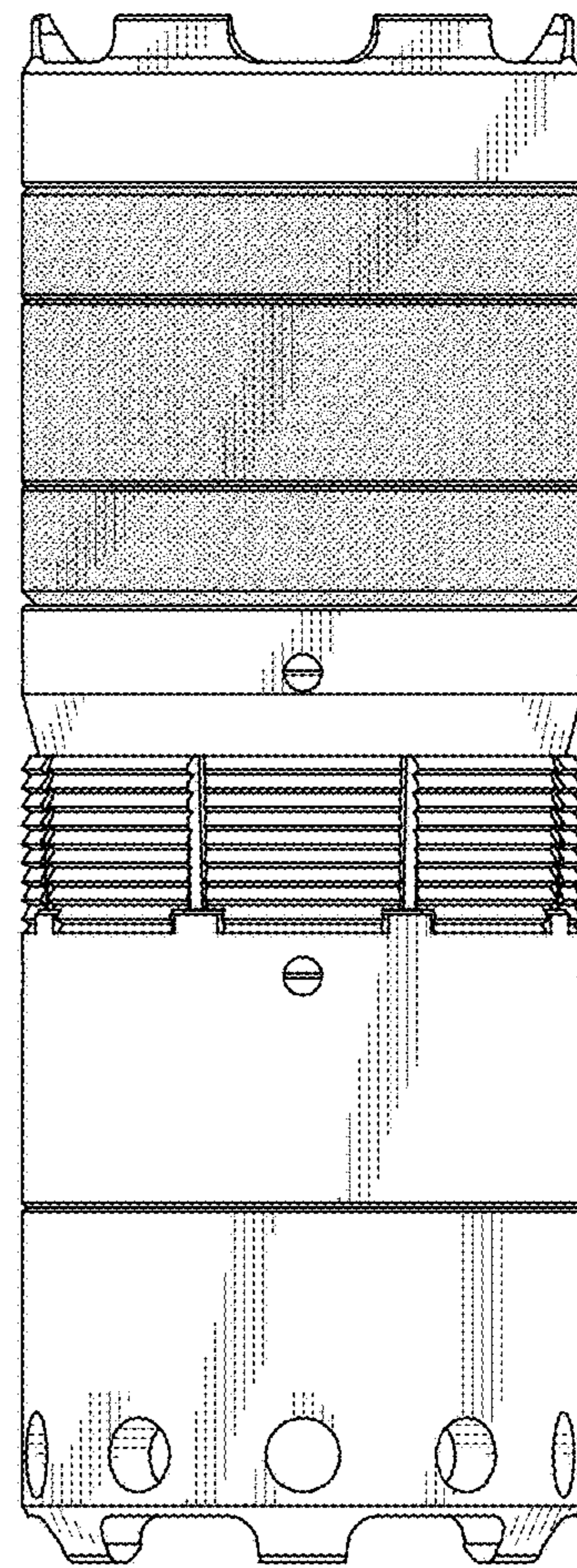


FIG. 2



**FIG. 3**



**FIG. 4**

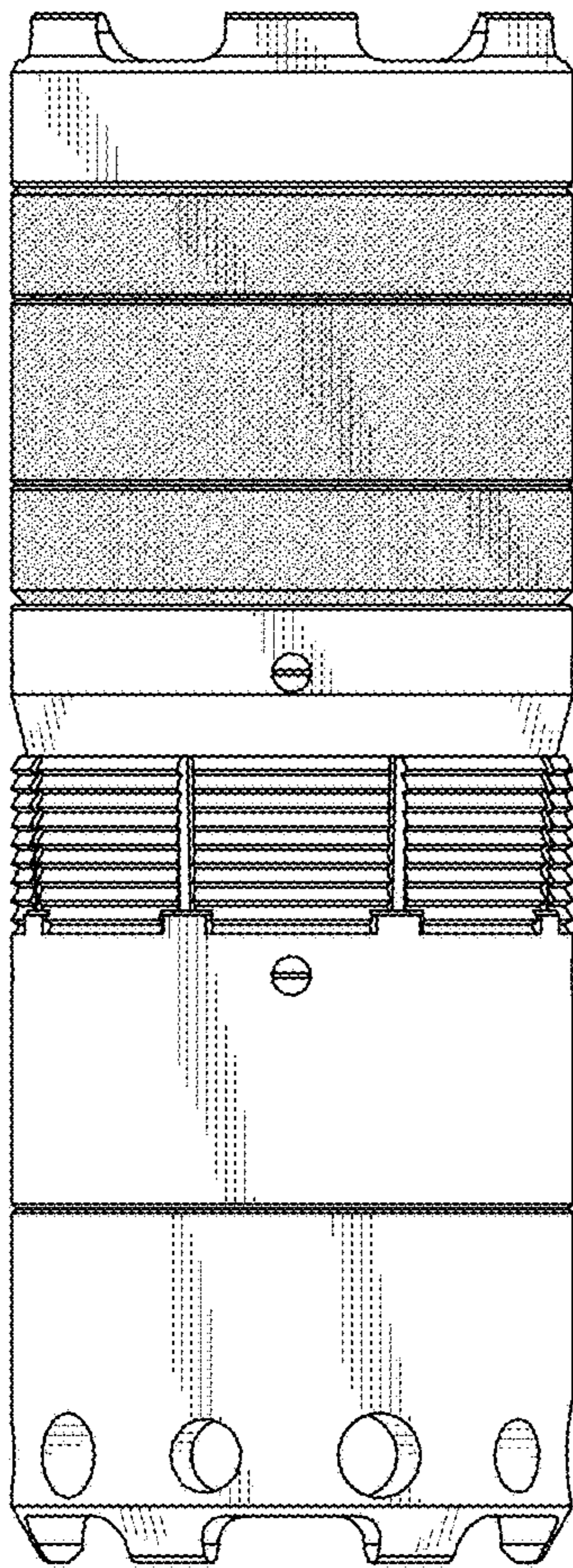


FIG. 5

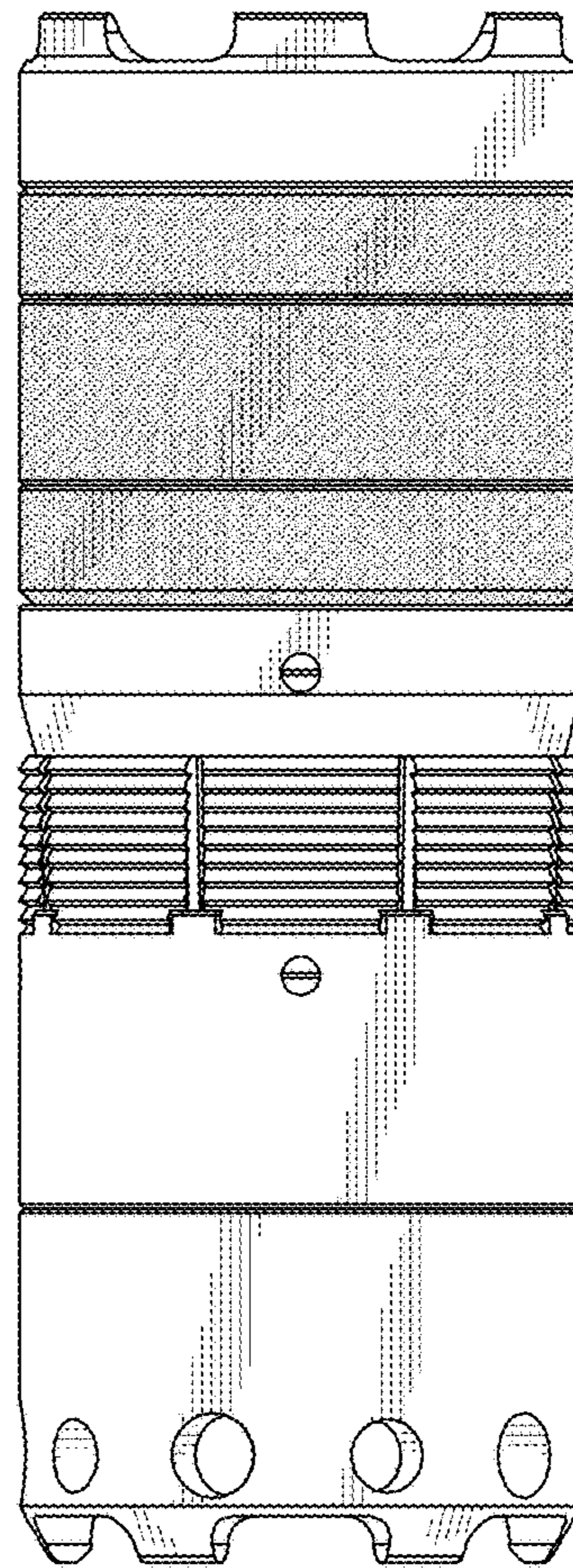
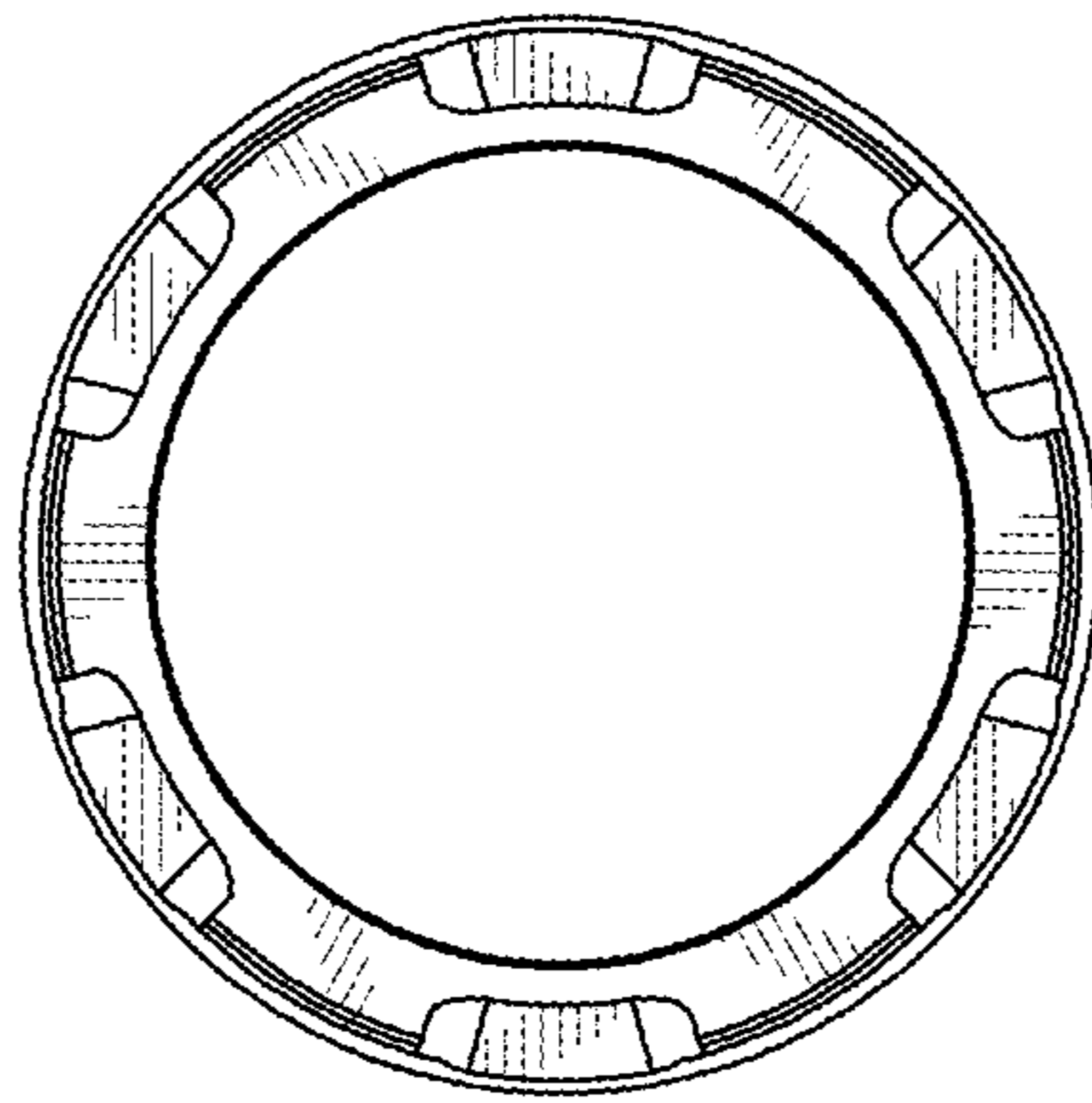
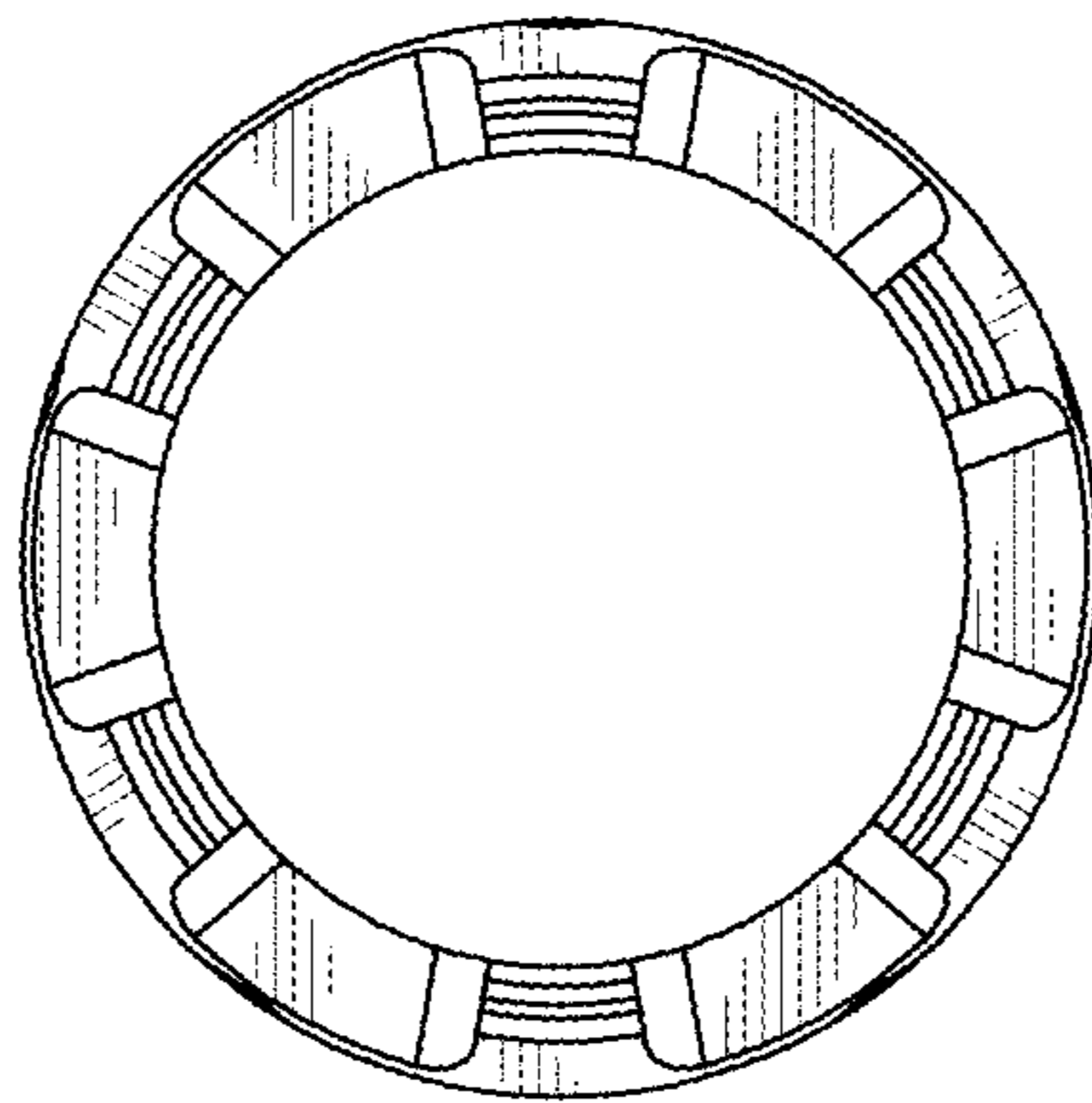


FIG. 6



**FIG. 7**



**FIG. 8**