



US00D807990S

(12) **United States Design Patent**
Näslund et al.

(10) **Patent No.:** **US D807,990 S**
(45) **Date of Patent:** **** Jan. 16, 2018**

(54) **SPRAY LANCE**
(71) Applicant: **HUSQVARNA AB**, Huskvarna (SE)
(72) Inventors: **Jens Näslund**, Spånga (SE); **Daniel Gunnarsson**, Danderyd (SE); **Gustav Landberg**, Trosa (SE); **Tor Sigurdson**, Stockholm (SE)
(73) Assignee: **HUSQVARNA AB**, Huskvarna (SE)

D606,626 S * 12/2009 Zore D23/226
D636,058 S * 4/2011 Hung D23/223
D648,823 S * 11/2011 Hung D23/223
D653,306 S * 1/2012 Chen D23/226
D657,018 S * 4/2012 Chen D23/226
D748,762 S 2/2016 Näslund
D780,289 S * 2/2017 Naslund D23/223
D780,290 S * 2/2017 Naslund D23/223
D780,890 S * 3/2017 Naslund D23/226
D781,398 S * 3/2017 Naslund D23/213
D782,002 S * 3/2017 Naslund D23/213
D782,003 S * 3/2017 Naslund D23/213

(**) Term: **15 Years**

FOREIGN PATENT DOCUMENTS

(21) Appl. No.: **29/579,308**

JP 1515591 S 1/2015

(22) Filed: **Sep. 29, 2016**

* cited by examiner

(30) **Foreign Application Priority Data**

Primary Examiner — Robin V Webster

Mar. 31, 2016 (EM) 003049931-0011

(74) *Attorney, Agent, or Firm* — McNair Law Firm, P.A.

(51) **LOC (11) Cl.** **23-01**

(57) **CLAIM**

(52) **U.S. Cl.**
USPC **D23/223**

The ornamental design for a spray lance, as shown and described.

(58) **Field of Classification Search**
USPC D23/213, 223, 226, 228, 229, 230, 304, D23/532; 239/436, 447, 587.1
CPC B05B 15/066; B05B 1/18; B05B 1/00; B05B 15/061; B05B 9/01; A47K 3/28; E03C 1/06; E03C 1/046
See application file for complete search history.

DESCRIPTION

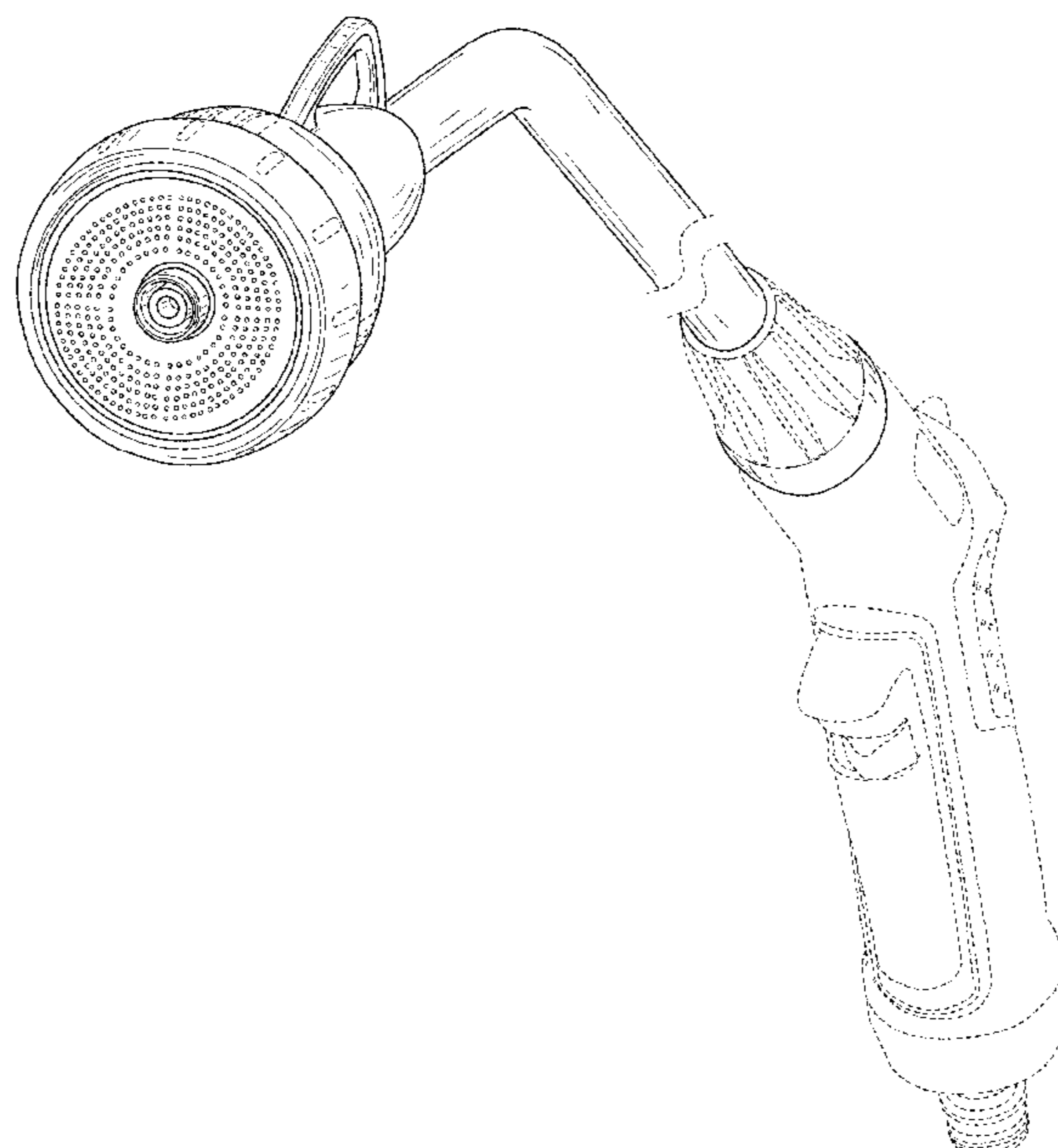
(56) **References Cited**

U.S. PATENT DOCUMENTS

D270,560 S * 9/1983 Clivio D23/226
D294,965 S * 3/1988 Garrard D23/223
D353,874 S * 12/1994 Clivio D23/213
D433,099 S * 10/2000 Chao D23/223
D472,605 S * 4/2003 Nien D23/223

FIG. 1 is a perspective view of a spray lance in accordance with an embodiment of the present invention;
FIG. 2 is a left side view of the spray lance of FIG. 1;
FIG. 3 is a right side view of the spray lance of FIG. 1;
FIG. 4 is a front view of the spray lance of FIG. 1;
FIG. 5 is a rear view of the spray lance of FIG. 1;
FIG. 6 is a top view of the spray lance of FIG. 1; and,
FIG. 7 is a bottom view of the spray lance of FIG. 1.
The broken lines of FIGS. 1-7 are illustrative of the visible environmental structure of the spray lance and form no part of the claimed design.

1 Claim, 5 Drawing Sheets



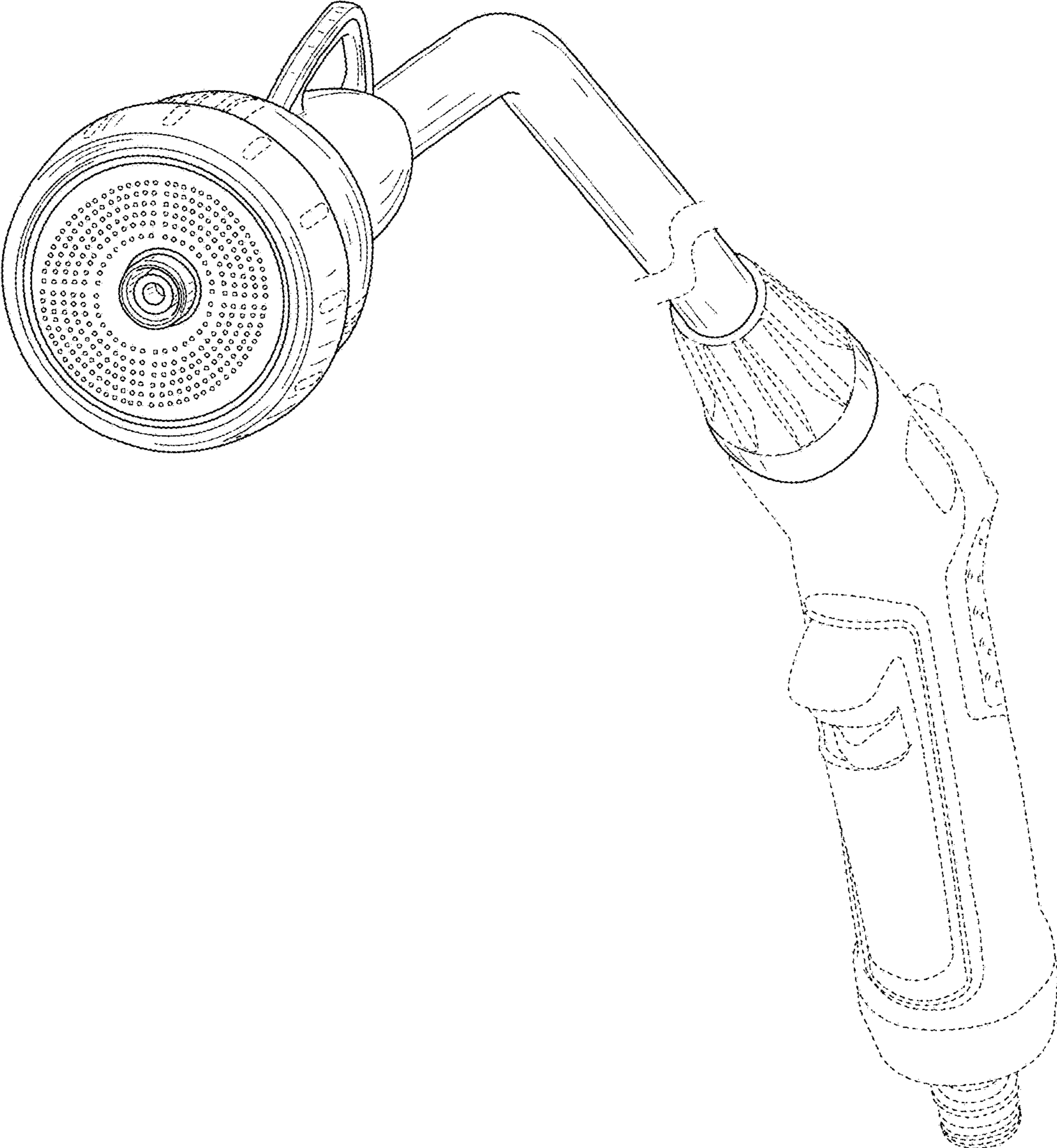


FIG. 1

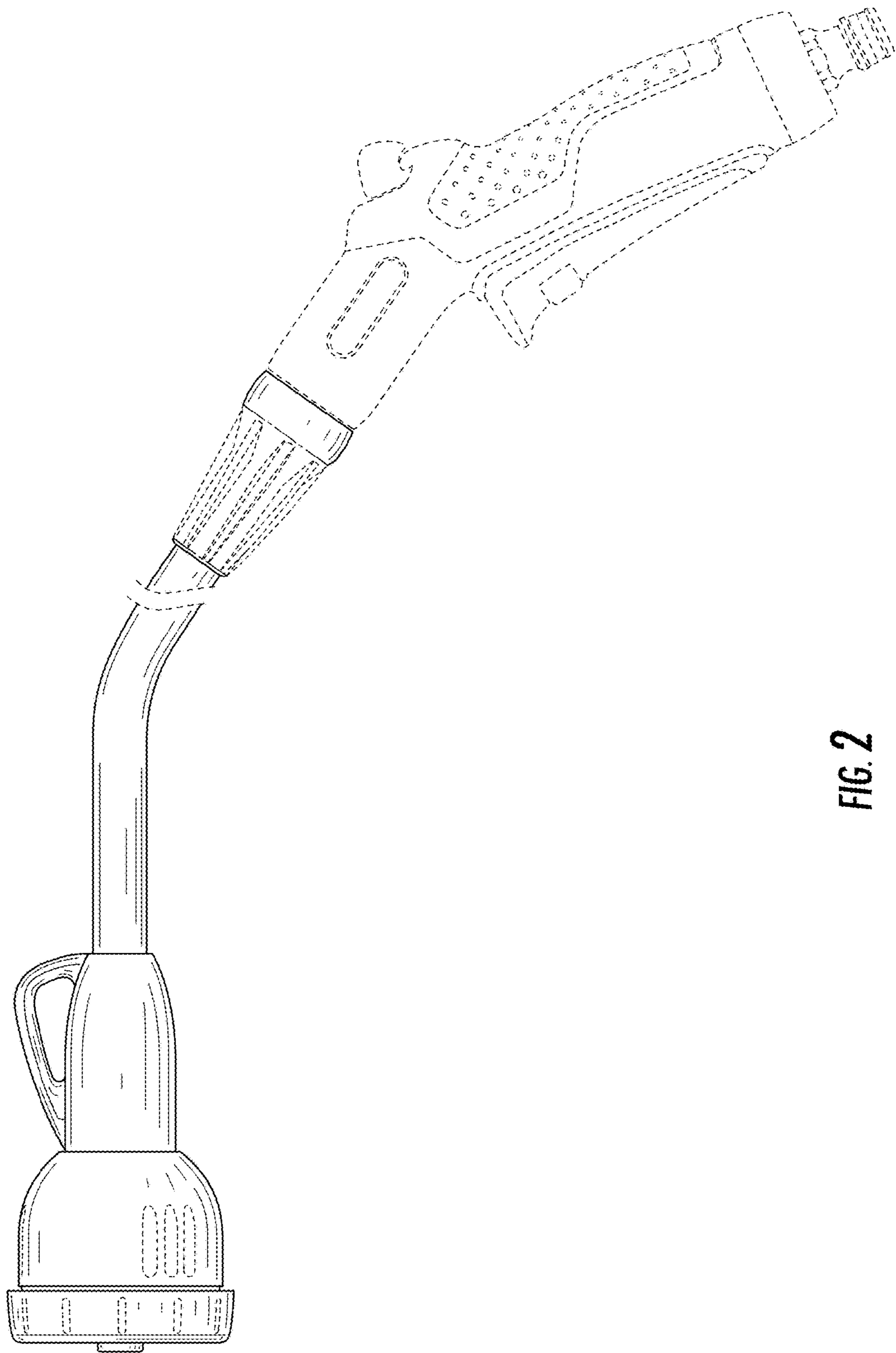


FIG. 2

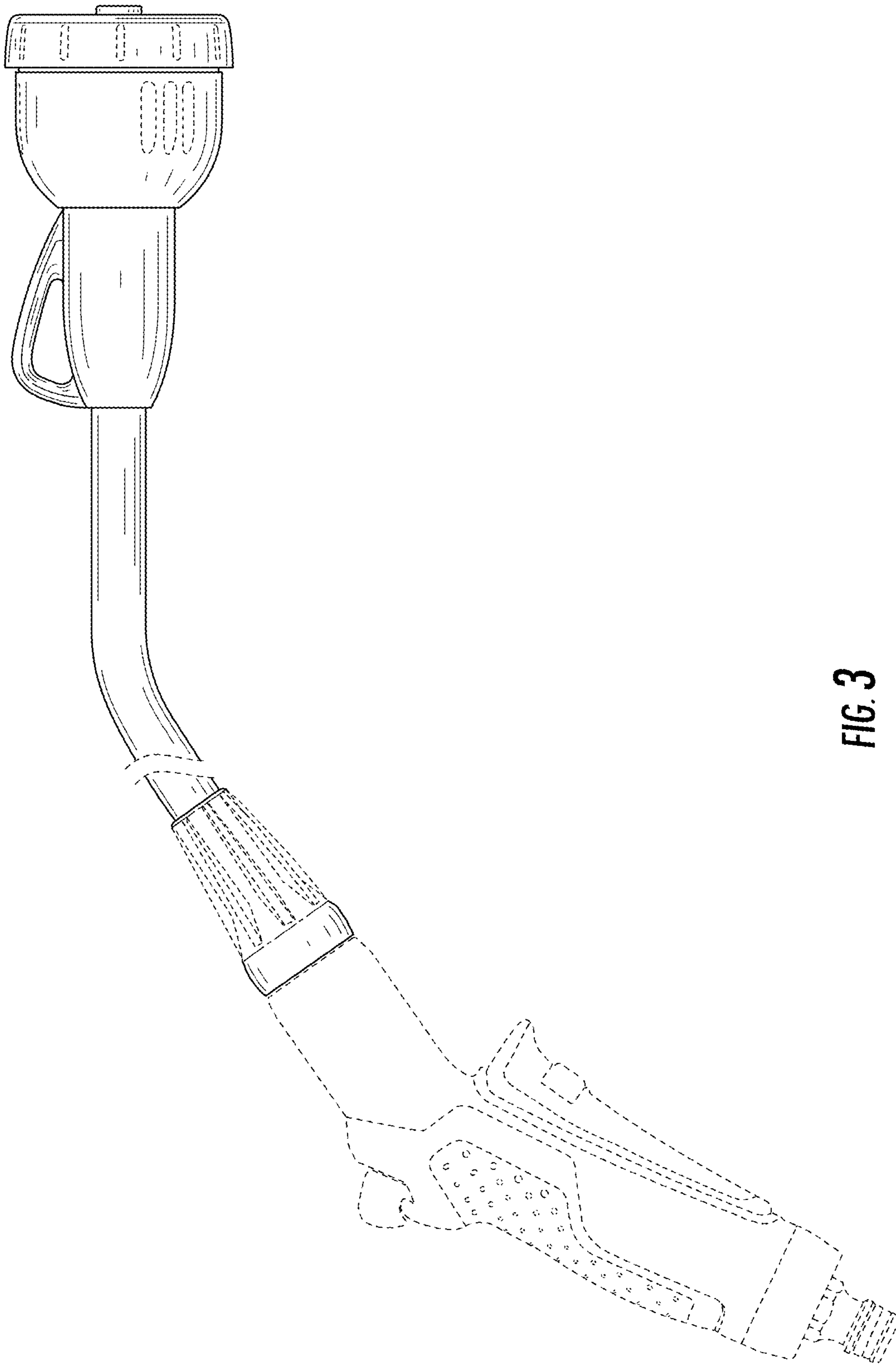


FIG. 3

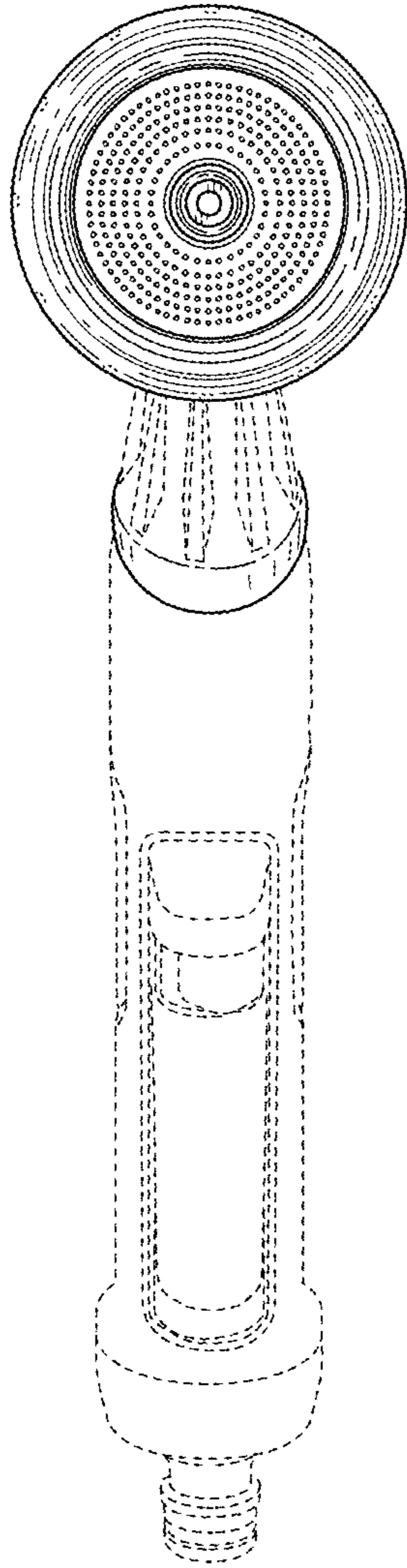


FIG. 4

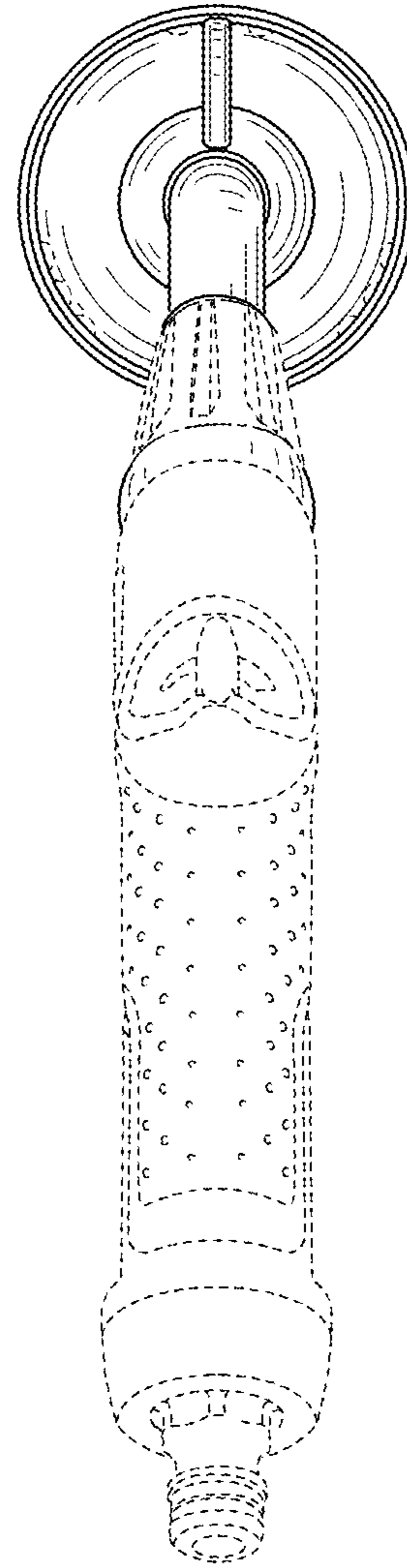


FIG. 5

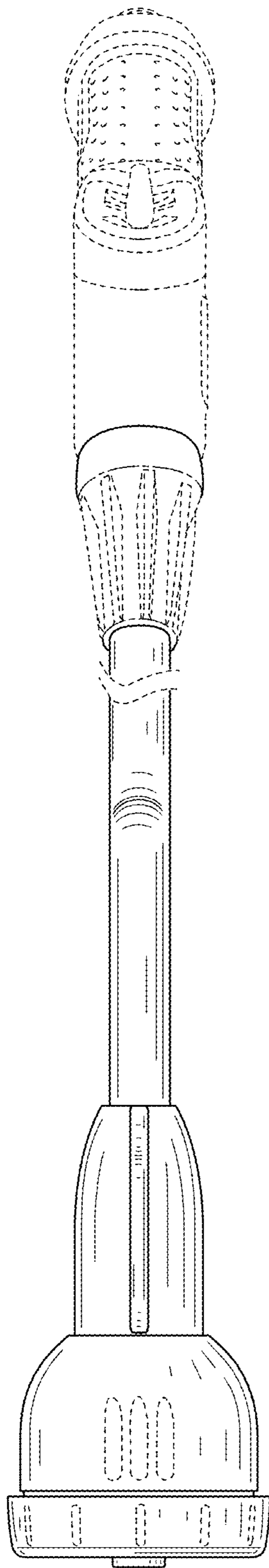


FIG. 6

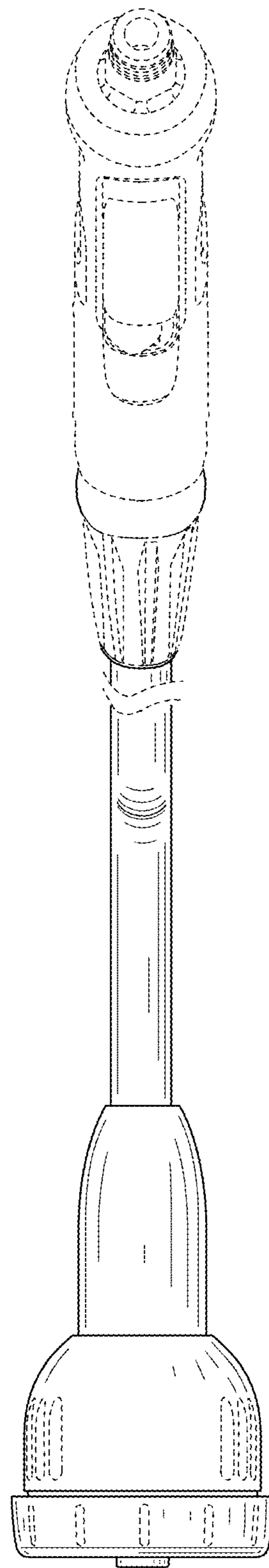


FIG. 7