



US00D807989S

(12) **United States Design Patent**
Kaule et al.

(10) **Patent No.:** **US D807,989 S**
(45) **Date of Patent:** **** Jan. 16, 2018**

- (54) **FAUCET**
- (71) Applicant: **Kohler Co.**, Kohler, WI (US)
- (72) Inventors: **Brian M. Kaule**, Yardley, PA (US);
Anna-Pia K. Slothower, Mill Valley, CA (US)
- (73) Assignee: **KOHLER CO.**, Kohler, WI (US)
- (**) Term: **15 Years**
- (21) Appl. No.: **29/603,053**
- (22) Filed: **May 5, 2017**

D532,486 S	11/2006	Barry	
D541,384 S	4/2007	Citterio	
7,380,731 B1	6/2008	Hsu	
D605,260 S *	12/2009	Allard	D23/255
D651,284 S *	12/2011	Flowers	D23/243
D655,398 S *	3/2012	Bosio	D23/255
D698,903 S	2/2014	Gilbert	
D704,803 S	5/2014	Hashimoto	
D721,164 S	1/2015	Georgeson	
D767,726 S	9/2016	Mazz	
D786,404 S	5/2017	Kaule et al.	
2004/0112985 A1 *	6/2004	Malek	E03C 1/0404 239/445

* cited by examiner

Primary Examiner — Robert A Delehanty
(74) *Attorney, Agent, or Firm* — Foley & Larnder LLP

Related U.S. Application Data

- (62) Division of application No. 29/540,213, filed on Sep. 22, 2015, now Pat. No. Des. 786,404.
- (51) **LOC (11) Cl.** **23-01**
- (52) **U.S. Cl.**
USPC **D23/213**
- (58) **Field of Classification Search**
USPC D23/213, 226, 223, 228, 238–240, 255,
D23/257
CPC E03C 1/0409; E03C 4/0401; E03C 1/0402;
E03C 1/0404; F16K 31/602; F16K
31/605; F16K 31/607
See application file for complete search history.

References Cited

U.S. PATENT DOCUMENTS

2,971,520 A	2/1961	Motis et al.	
D420,726 S	2/2000	Slothower	
D479,309 S *	9/2003	Haug	D23/238
6,738,996 B1 *	5/2004	Malek	E03C 1/0409 239/441
D513,526 S *	1/2006	Marshall	D23/238
D520,114 S	5/2006	Starck	

(57) **CLAIM**

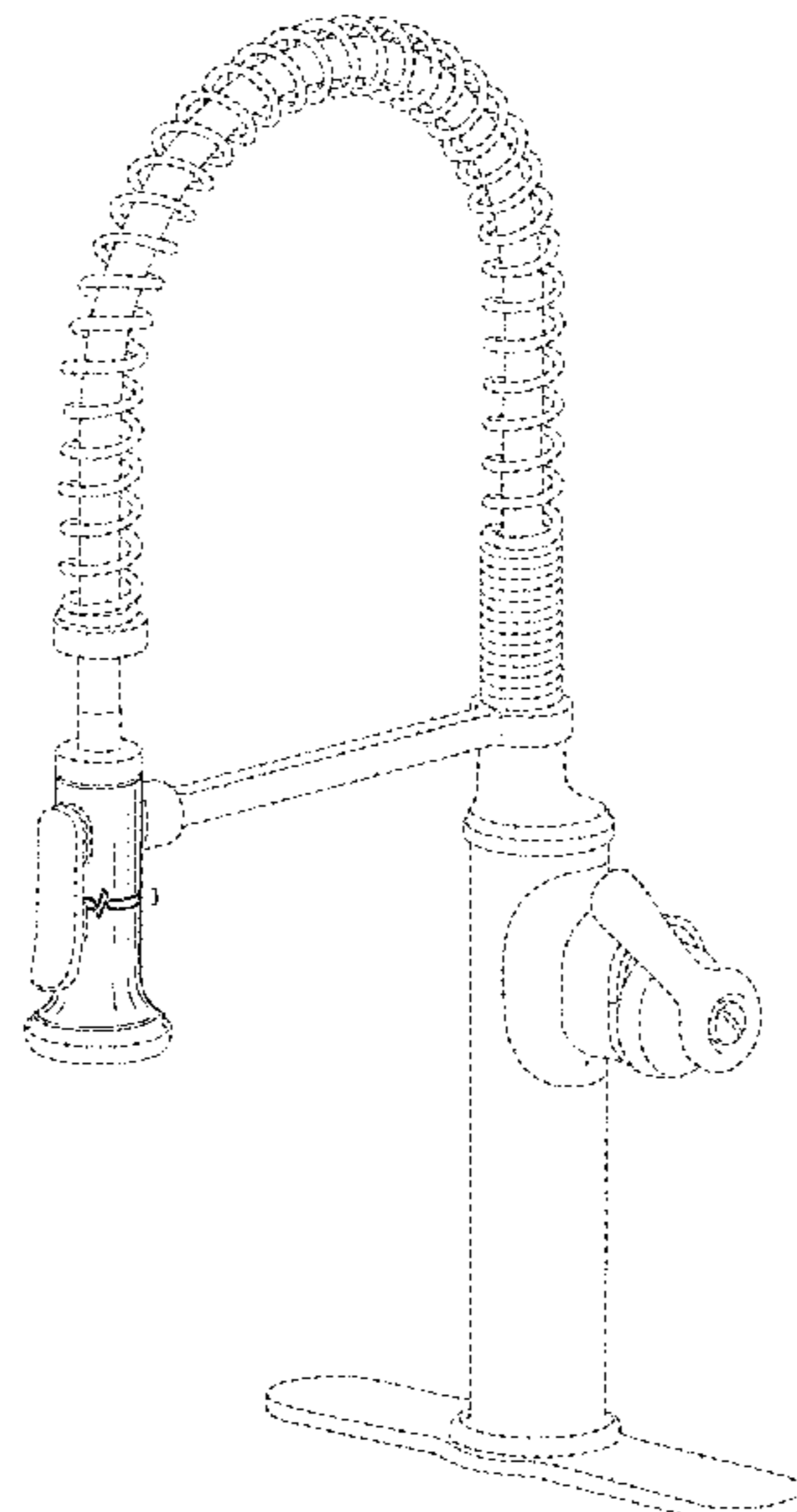
I claim the ornamental design for a faucet, as shown and described.

DESCRIPTION

FIG. 1 is a top, front, right perspective view of an embodiment of the claimed design;
 FIG. 2 is a front elevation view thereof;
 FIG. 3 is a rear elevation view thereof;
 FIG. 4 is a right side elevation view thereof;
 FIG. 5 is a left side elevation view thereof;
 FIG. 6 is a top plan view thereof; and,
 FIG. 7 is a bottom plan view thereof.

The ornamental design which is claimed is shown in solid lines in the drawings. The broken lines in the drawings form no part of the claimed design. Broken lines formed by equal length dashes show unclaimed subject matter. Broken lines formed of unequal length dashes (i.e., dash-dot) define bounds of the claimed design. Broken away symbols having a jagged element show that no particular length of the portion is claimed.

1 Claim, 7 Drawing Sheets



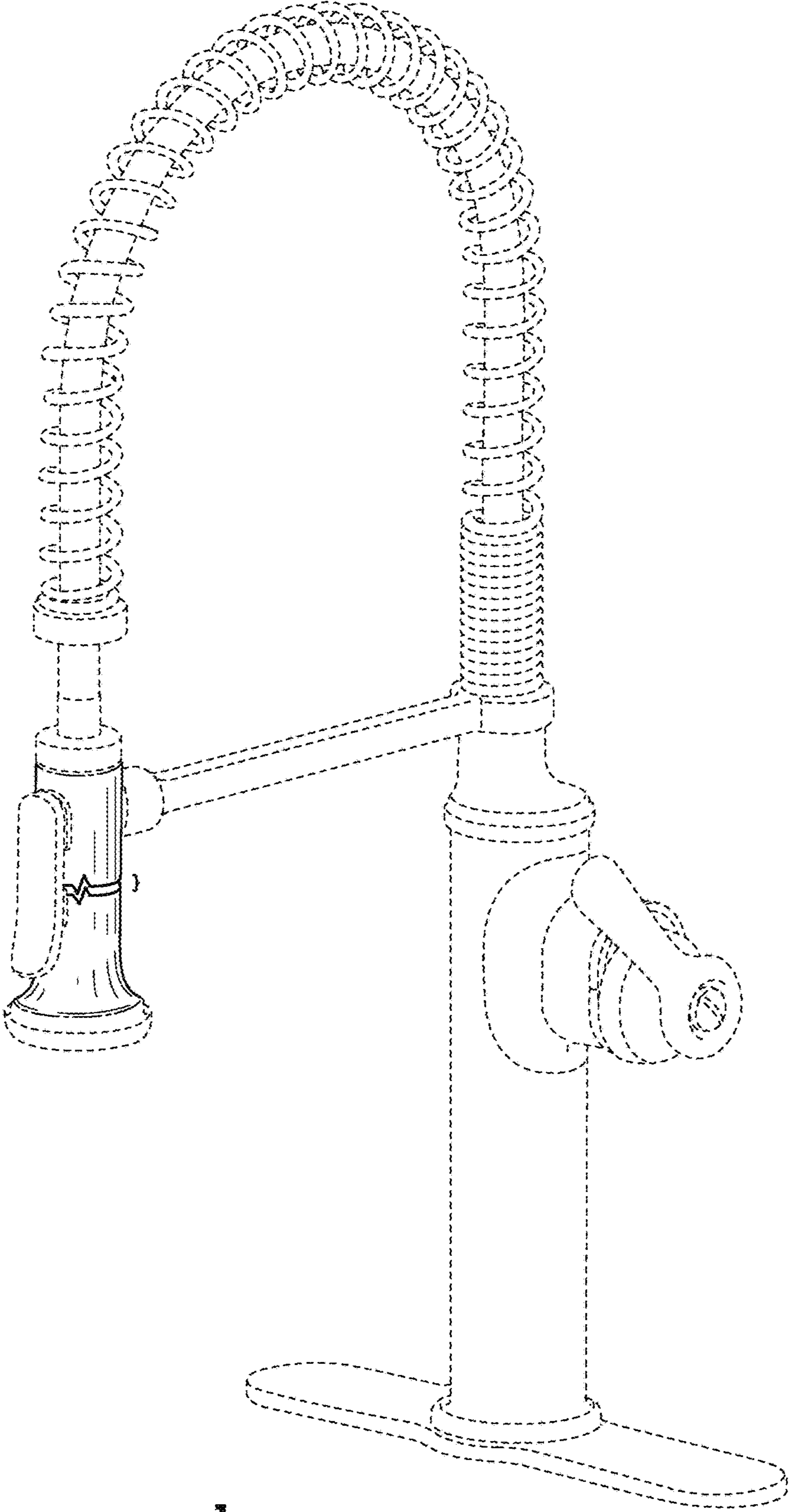


FIG. 1

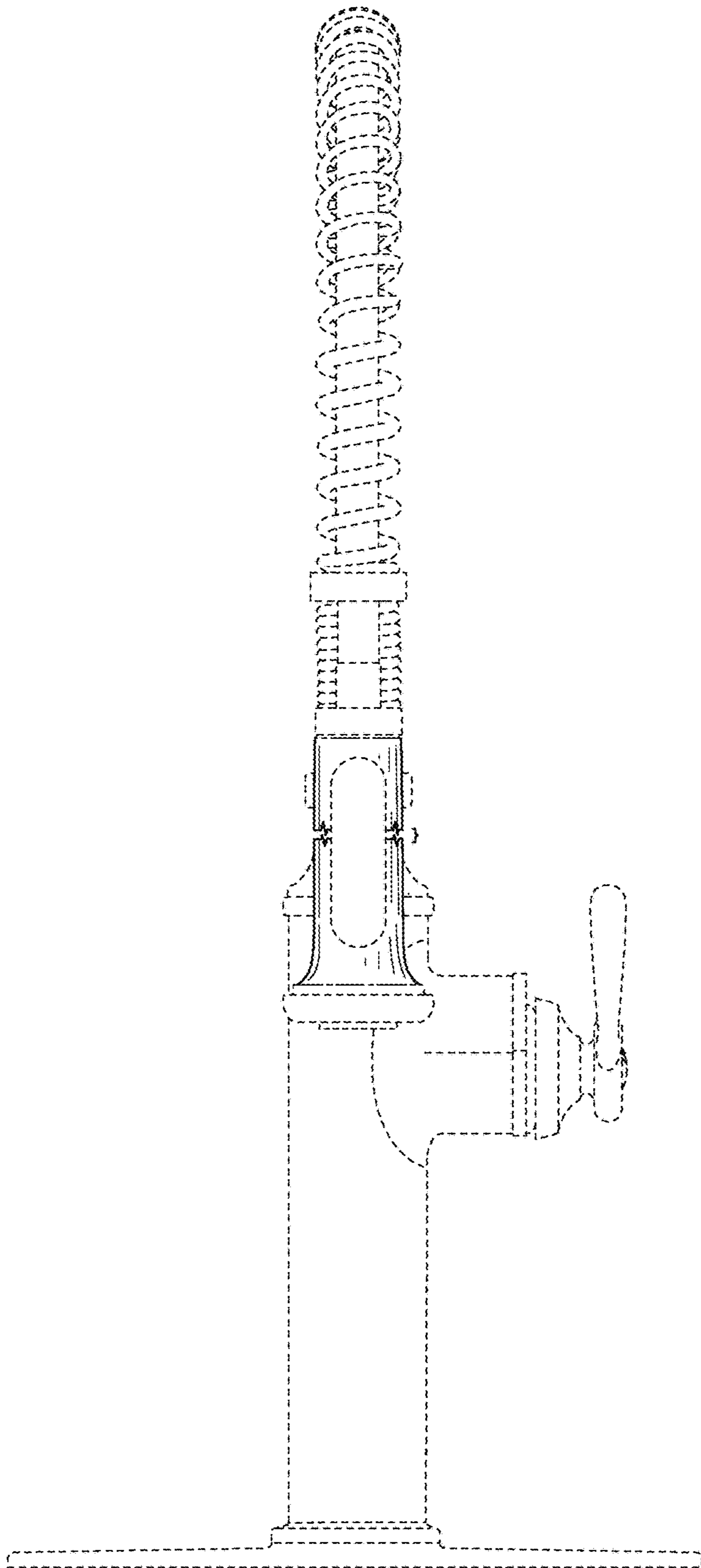


FIG. 2

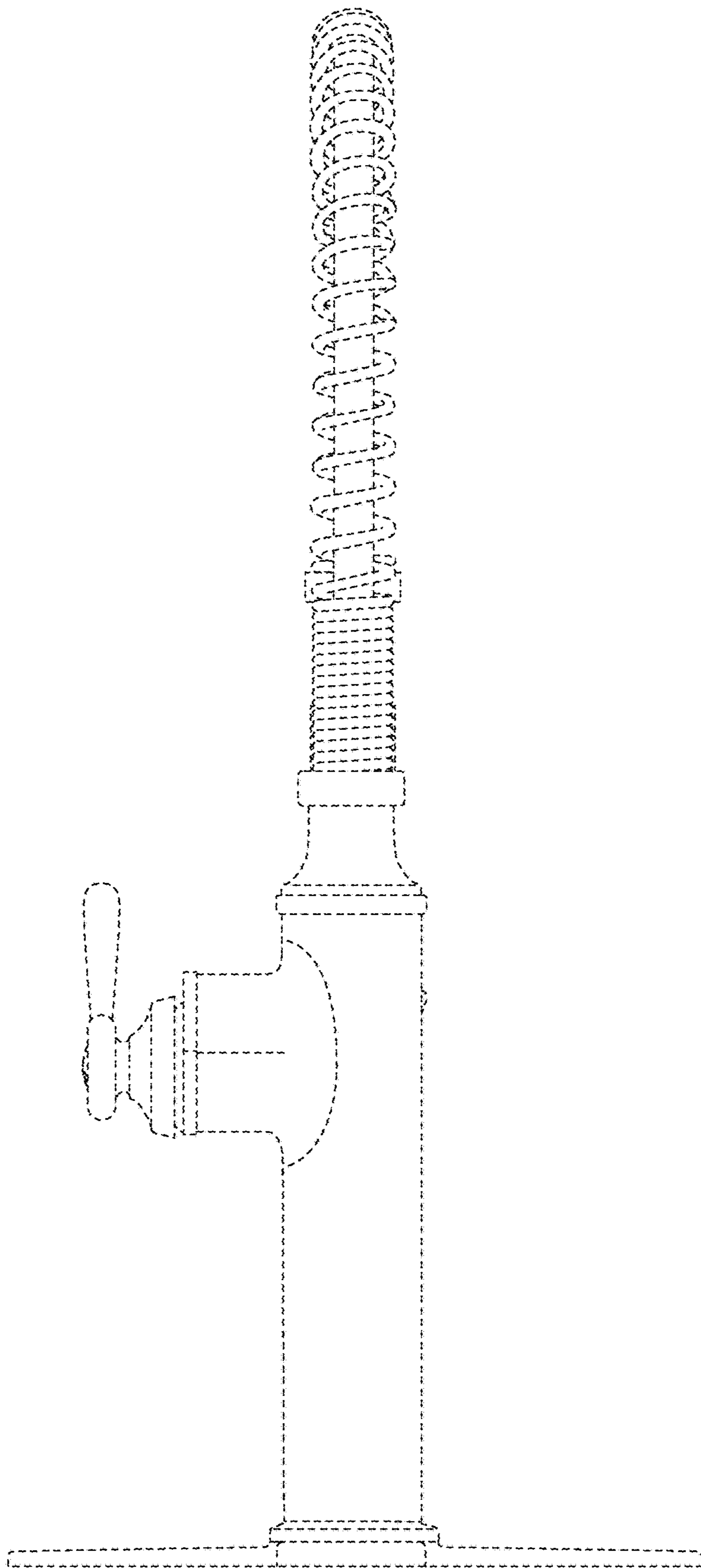


FIG. 3

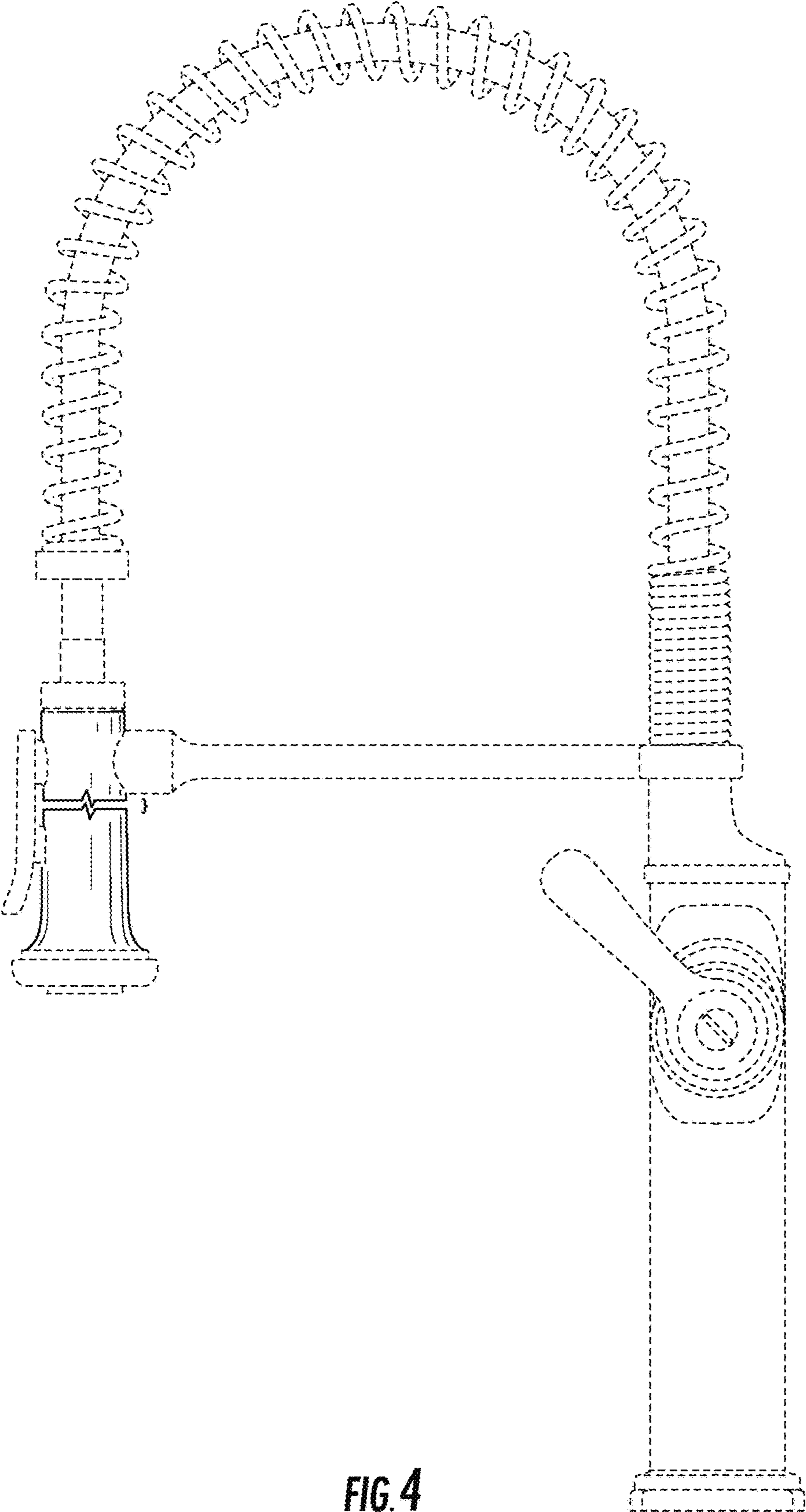


FIG. 4

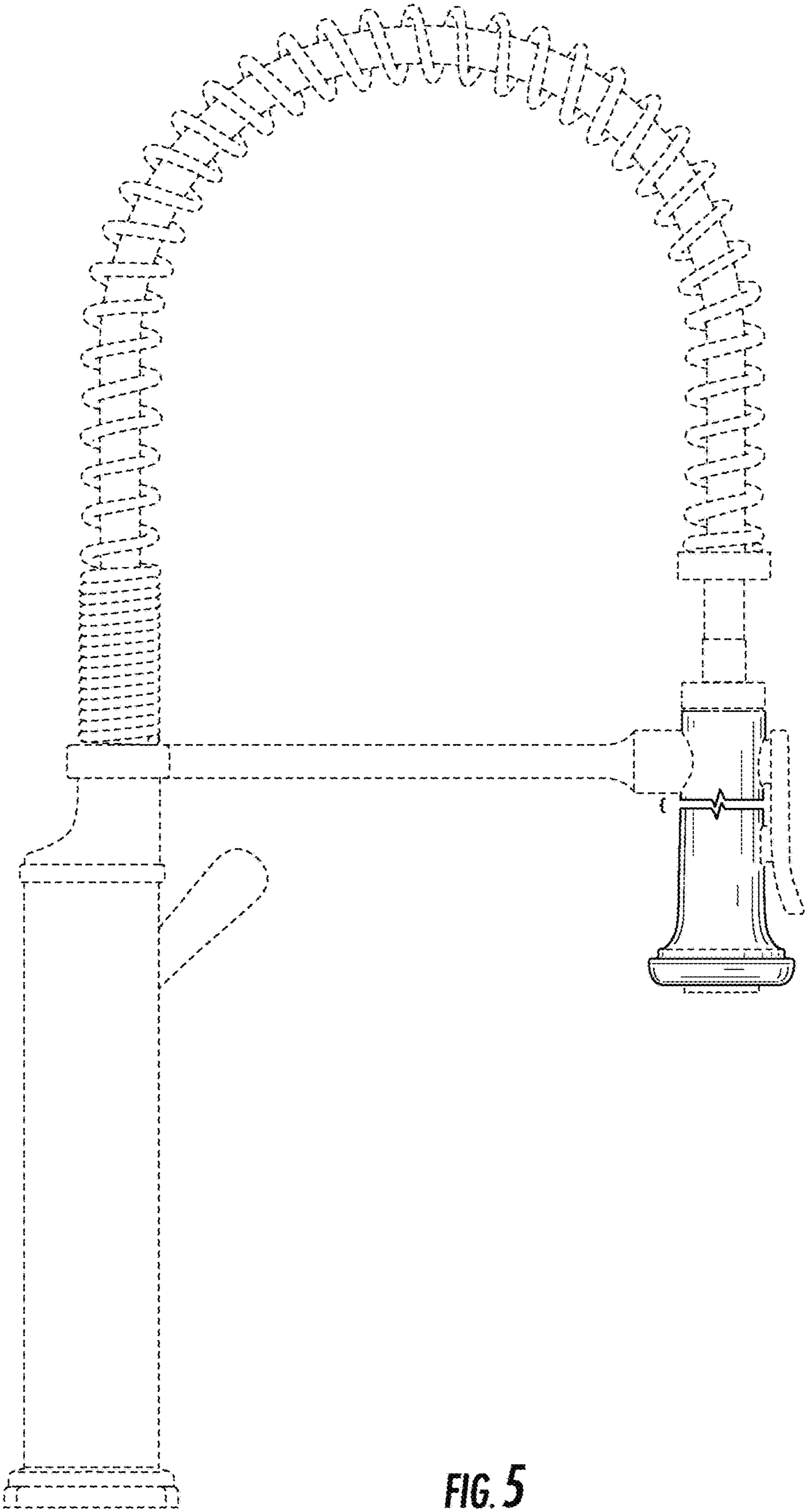


FIG. 5

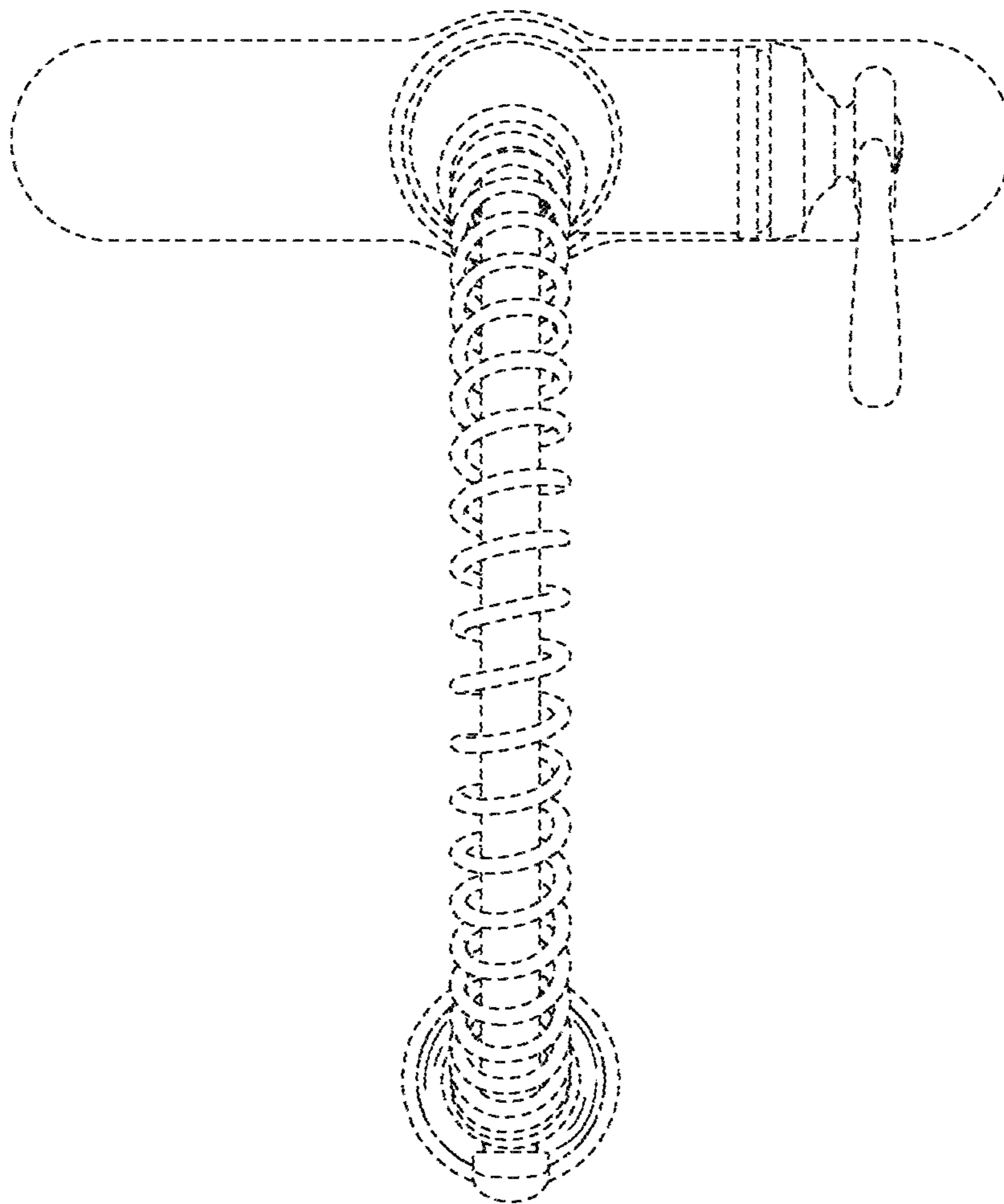


FIG. 6

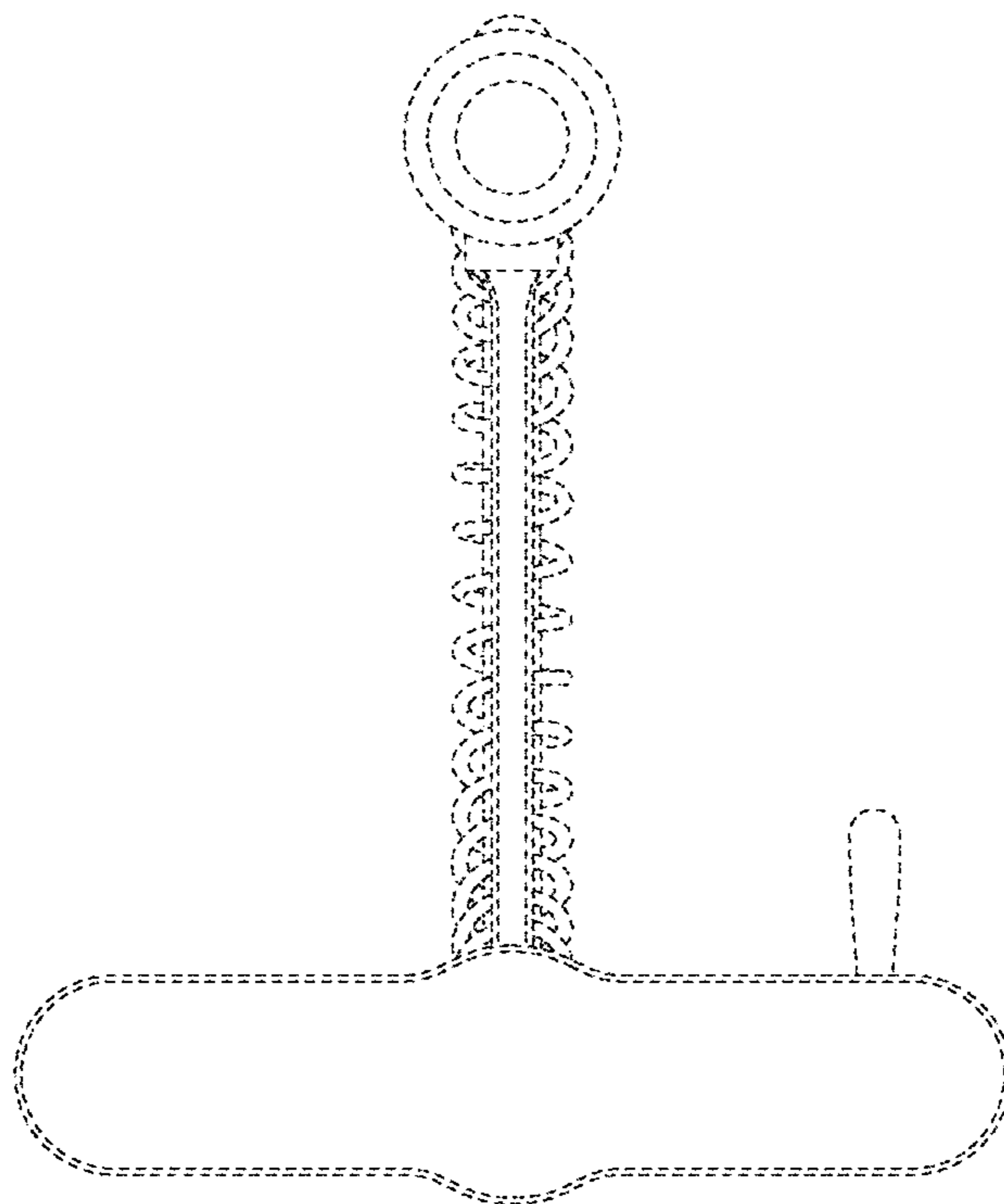


FIG. 7