



US00D807987S

(12) **United States Design Patent**
Ruprecht

(10) **Patent No.:** **US D807,987 S**
(45) **Date of Patent:** **** Jan. 16, 2018**

(54) **LIQUID FILTER HOUSING**

D773,606 S * 12/2016 Ruprecht D23/209

(71) Applicant: **Rapid Pure Inc**, Lakeland, MN (US)

* cited by examiner

(72) Inventor: **John Ruprecht**, Lakeland, MN (US)

Primary Examiner — Robin V Webster

(73) Assignee: **Rapid Pure, Inc.**, Lakeland, MN (US)

(74) *Attorney, Agent, or Firm* — James L. Young;
Westman, Champlin & Koehler, P.A.

(**) Term: **15 Years**

(57) **CLAIM**

(21) Appl. No.: **29/561,457**

The ornamental design for a liquid filter housing, as shown and described.

(22) Filed: **Apr. 15, 2016**

Related U.S. Application Data

DESCRIPTION

(62) Division of application No. 29/498,554, filed on Aug. 5, 2014, now Pat. No. Des. 758,528.

(51) **LOC (11) Cl.** **23-01**

(52) **U.S. Cl.**

USPC **D23/209**

(58) **Field of Classification Search**

USPC D23/207–209; 210/435, 446, 451, 455,
210/464, 466, 469, 473, 474, 477, 482
See application file for complete search history.

FIG. 1 is a perspective of a liquid filter housing showing my new design.

FIG. 2 is a front view thereof;

FIG. 3 is a rear view thereof;

FIG. 4 is a side view thereof (from the left side of FIG. 2);

FIG. 5 is a side view thereof (from the right side of FIG. 2);

FIG. 6 is a top view thereof (from the top of FIG. 3); and,

FIG. 7 is a bottom view thereof (from the bottom of FIG. 3).

The broken lines showing portions of the filter are included for the purpose of illustrating and form no part of the claimed design.

Connective lines for the exploded views are shown as the long-short-long dashed lines in FIGS. 1-7.

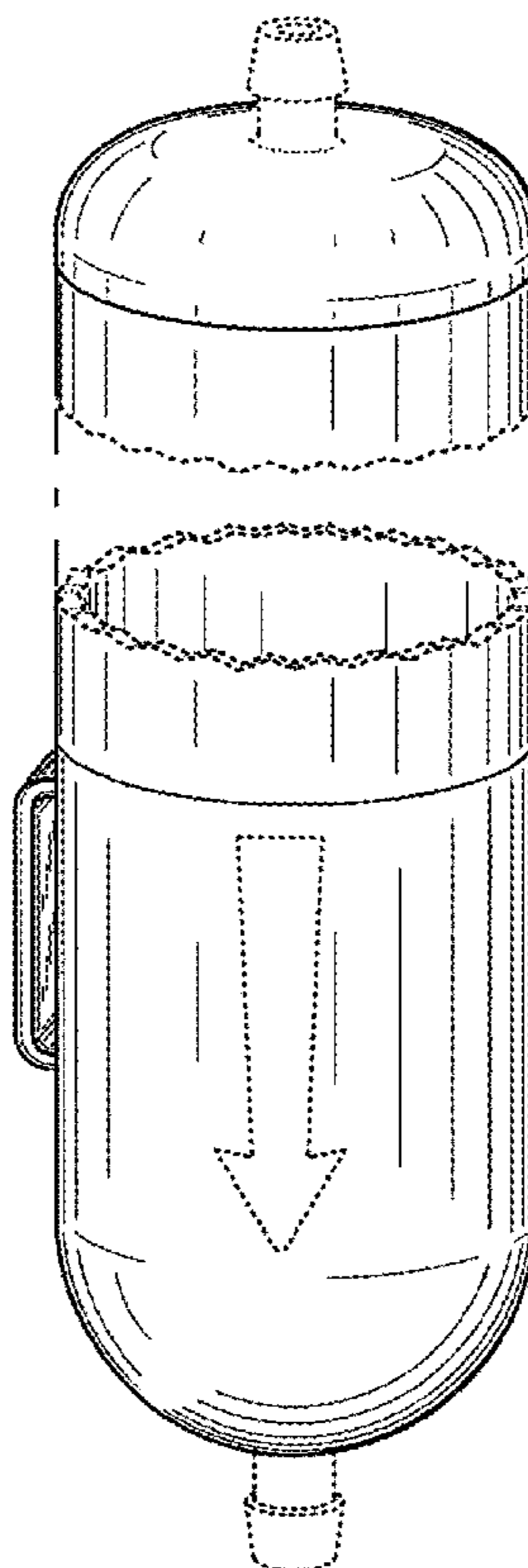
(56) **References Cited**

U.S. PATENT DOCUMENTS

D726,870 S * 4/2015 Ruprecht D23/209

D758,528 S * 6/2016 Ruprecht D23/209

1 Claim, 4 Drawing Sheets



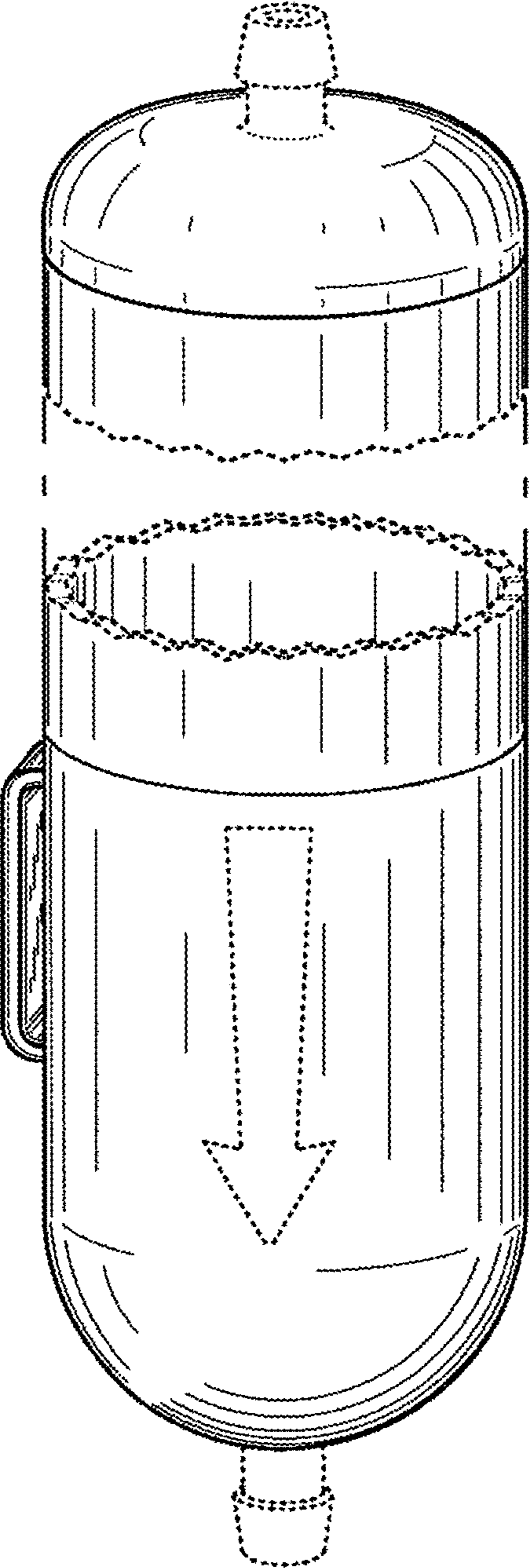


FIG. 1

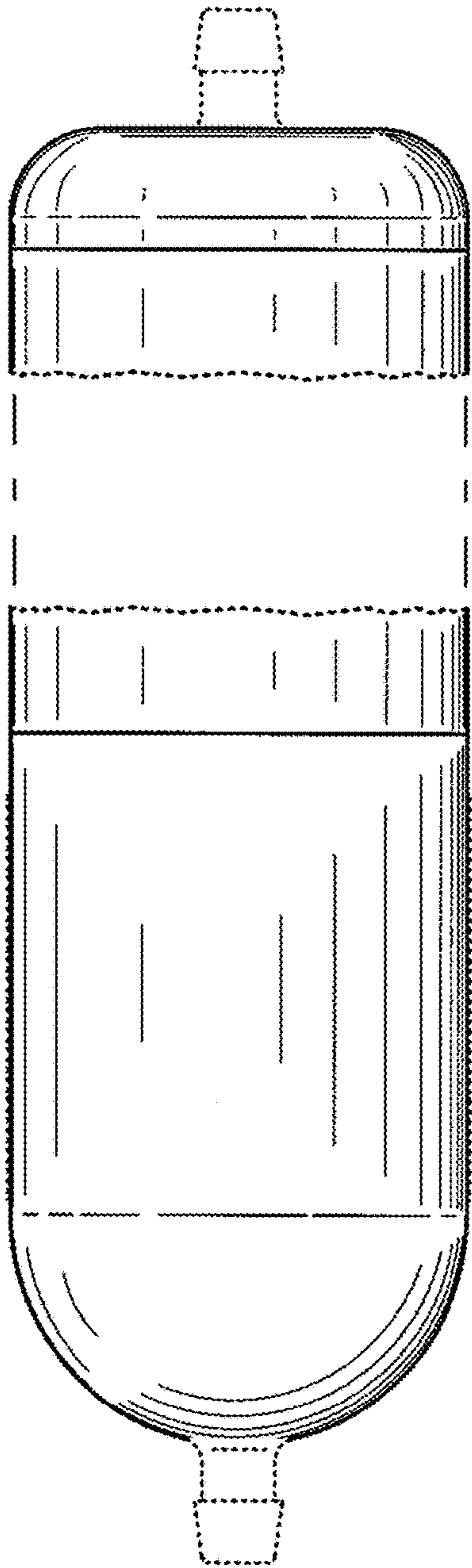


FIG. 2

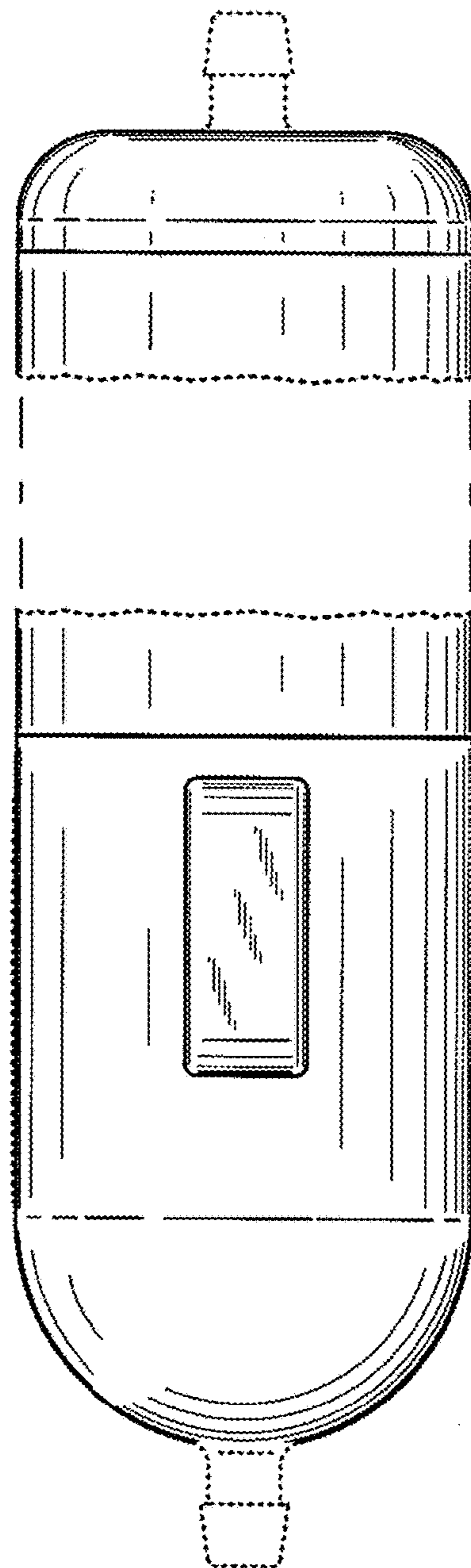


FIG. 3

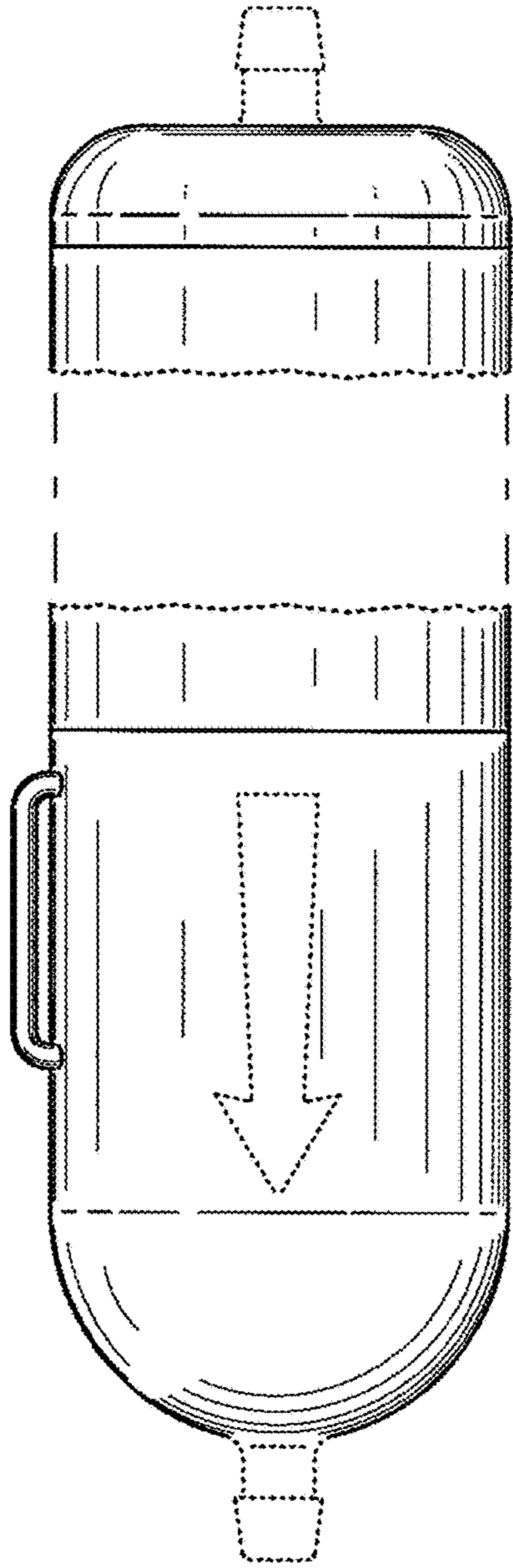


FIG. 4

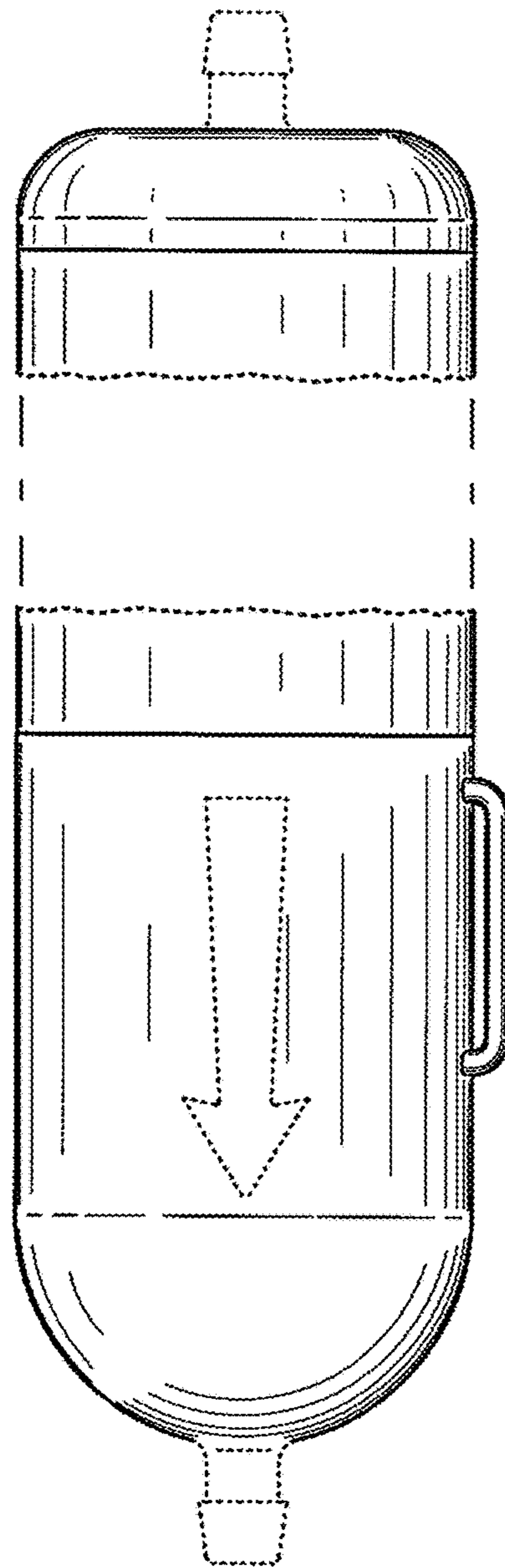


FIG. 5

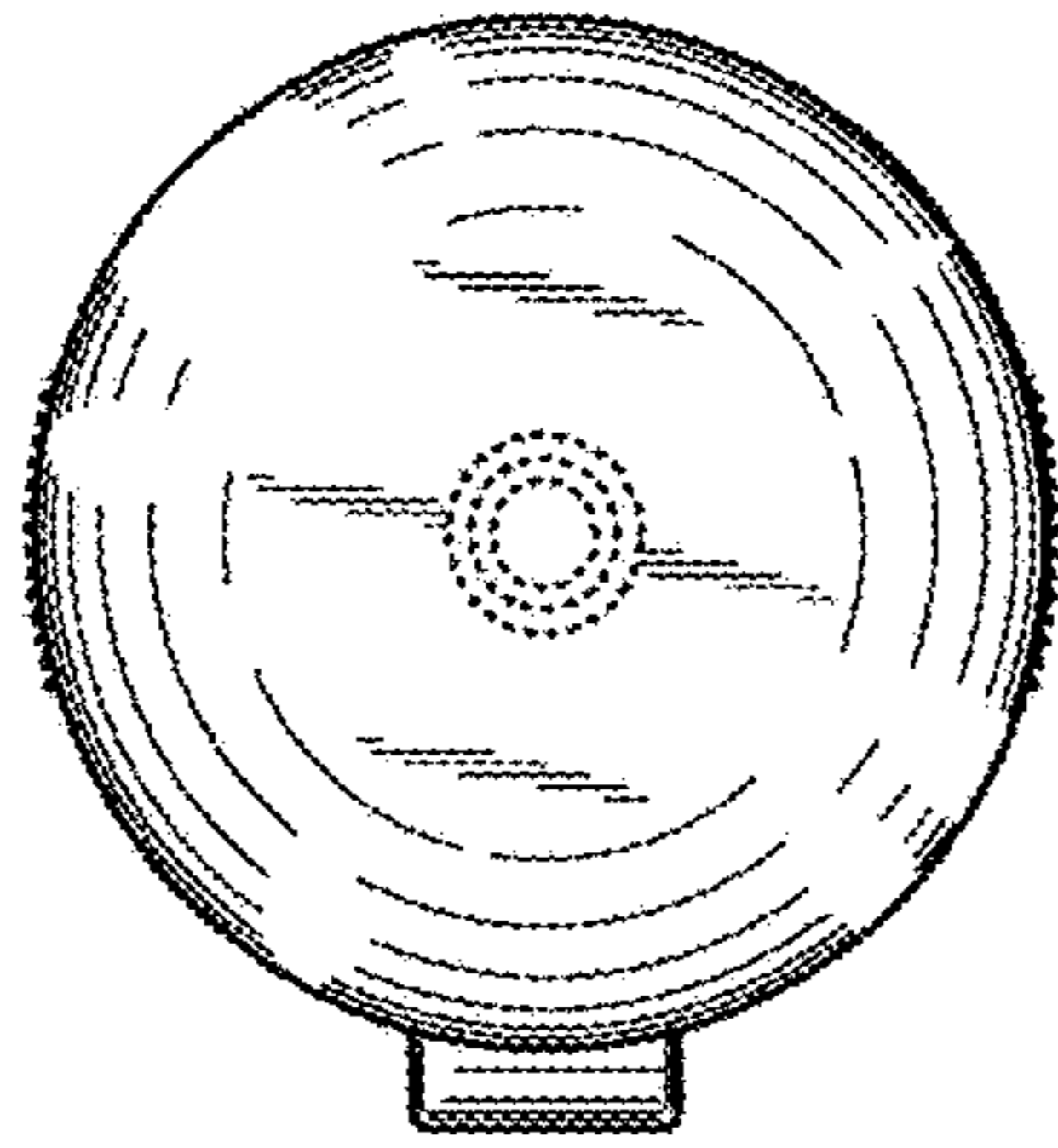


FIG. 6

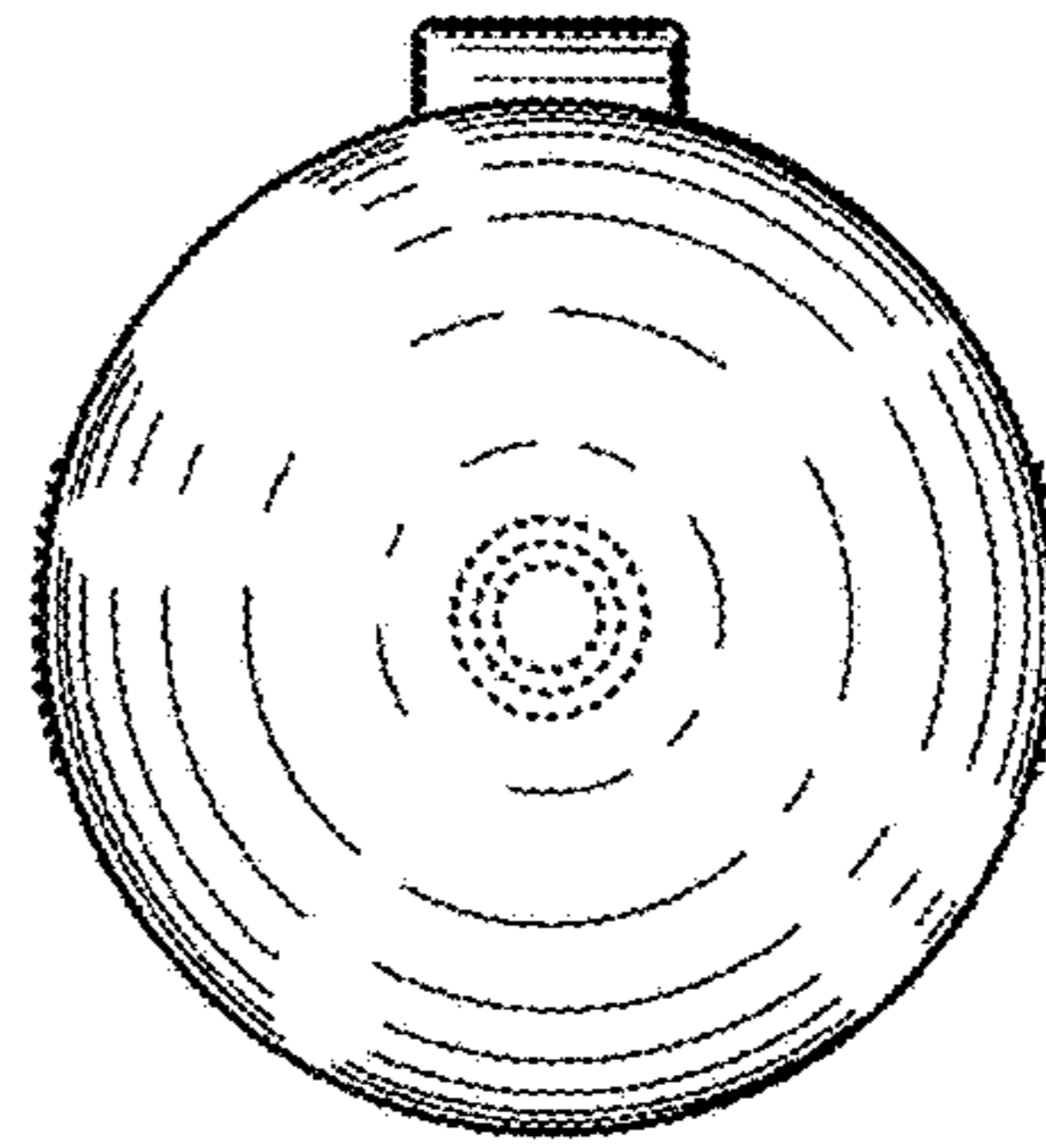


FIG. 7