

US00D807983S

(12) **United States Design Patent**
Shi

(10) **Patent No.:** **US D807,983 S**
(45) **Date of Patent:** **** Jan. 16, 2018**

- (54) **SCOPE**
- (71) Applicant: **Charles Shi**, Walnut, CA (US)
- (72) Inventor: **Charles Shi**, Walnut, CA (US)
- (73) Assignee: **All Pro Sporting Goods Inc.**, Mira Loma, CA (US)
- (**) Term: **15 Years**
- (21) Appl. No.: **29/574,236**
- (22) Filed: **Aug. 12, 2016**
- (51) **LOC (11) Cl.** **22-01**
- (52) **U.S. Cl.**
USPC **D22/109**
- (58) **Field of Classification Search**
USPC D22/109-110; D16/111-113, 130, 132, D16/133, 134, 330; 359/104, 105, 359/111-113, 116, 120, 124-129, 359/133-148; 42/227-229
CPC F41G 1/00; F41G 1/38; F41G 1/01; F41G 1/02; F41G 1/06; F41G 1/065; F41G 1/08; F41G 1/10; F41G 1/12; F41G 1/14; F41G 1/30; F41G 1/32; F41G 1/40; F41G 1/42; F41G 1/44; F41G 1/46; F41G 1/383; F41G 1/387; F41G 1/393; F41G 3/00; F41G 3/005; F41G 3/02; F41G 3/04; F41G 3/06; F41G 3/14; F41G 11/001; F41G 11/002; F41G 11/003; F41G 11/004; F41G 11/005
See application file for complete search history.

- (56) **References Cited**
U.S. PATENT DOCUMENTS
D369,367 S * 4/1996 Tomita D16/130
D417,679 S * 12/1999 Cross D16/132
D420,718 S * 2/2000 Otteman D16/132
D421,286 S * 2/2000 Tucker D16/130
D427,275 S * 6/2000 Gilmore D16/130
D443,628 S * 6/2001 Koshibe D16/132

6,508,026 B1 * 1/2003 Uppiano F41G 1/38
42/111
D476,714 S * 7/2003 Meinzer D22/109
D516,156 S * 2/2006 Crandall D16/132
(Continued)

FOREIGN PATENT DOCUMENTS

GB 2522311 * 7/2015 F41G 1/16
JP 2003248177 * 9/2003

OTHER PUBLICATIONS

RWS 6x42 CL Air Rifle Scope with Illuminated Reticle, AirGunDepot.com, [online], [site visited Jun. 16, 2017]. URL: <http://www.airgundepot.com/rws-6-42-scope.html>.*

(Continued)

Primary Examiner — T. Chase Nelson
Assistant Examiner — Jonathan J. Han
(74) *Attorney, Agent, or Firm* — Fishman Stewart PLLC

(57) **CLAIM**

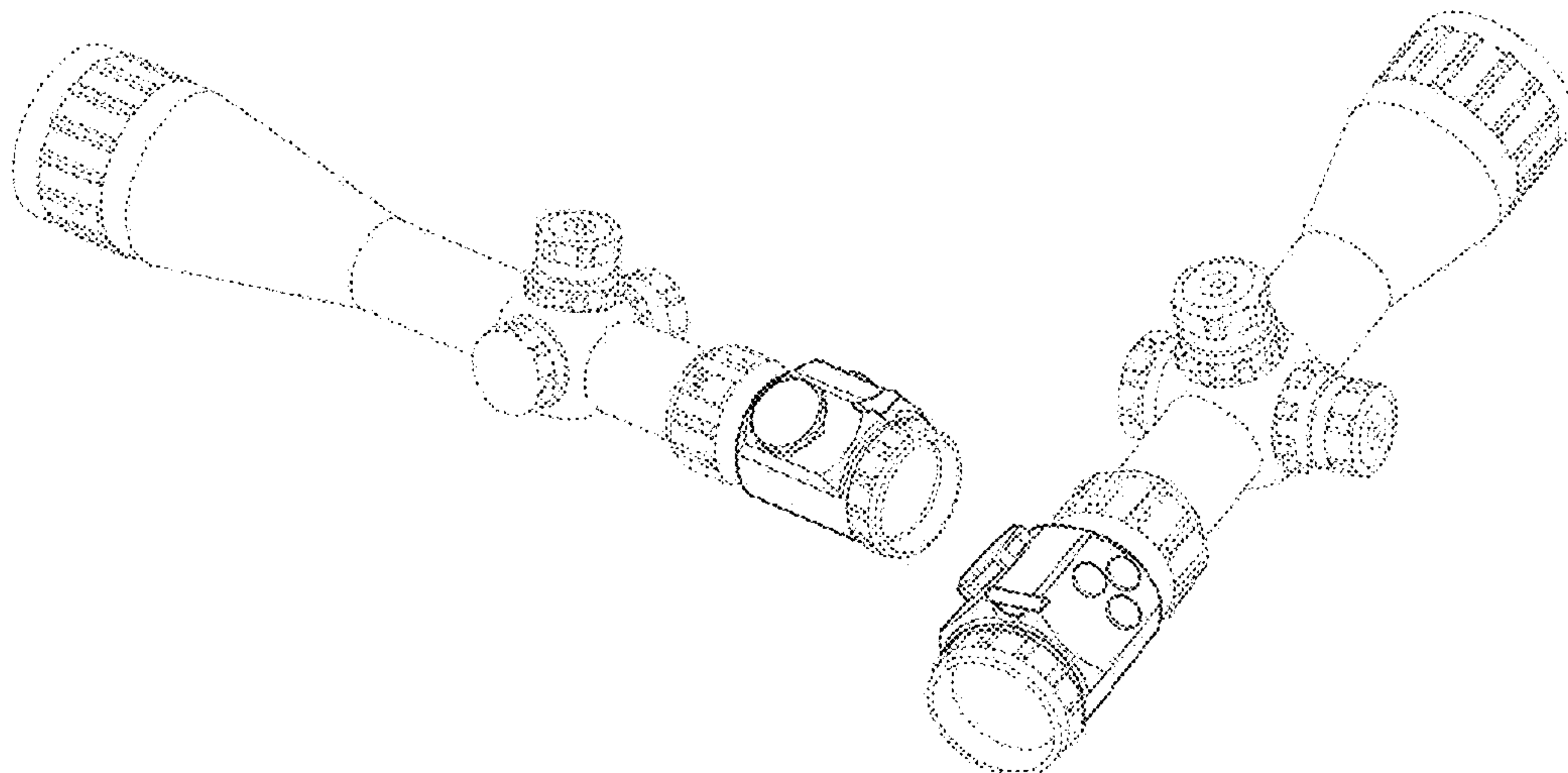
The ornamental design for a scope, as shown and described.

DESCRIPTION

FIG. 1 is a left perspective view a scope;
FIG. 2 is a right perspective view of a scope;
FIG. 3 is an end view of the scope taken from a perspective of a right end of the scope;
FIG. 4 is an end view of the scope take from a perspective of a left end of the scope;
FIG. 5 is a top view of the scope taken from a perspective of a left side of the scope;
FIG. 6 is another top view of the scope taken from a perspective of a right side of the scope; and,
FIG. 7 is another top view of the scope looking straight down at the scope.

The broken lines in the drawings are used to illustrate unclaimed portions of the scope and form no part of the claimed design.

1 Claim, 4 Drawing Sheets



(56)

References Cited

U.S. PATENT DOCUMENTS

D589,580 S * 3/2009 Chia-Chun D22/109
 D619,191 S * 7/2010 Riley D22/108
 D619,192 S * 7/2010 Riley D22/108
 D619,193 S * 7/2010 Riley D22/108
 D631,121 S * 1/2011 Cheng D22/108
 D637,258 S * 5/2011 Bengtsson D22/109
 7,958,665 B2 * 6/2011 Hamilton B25C 1/184
 359/405
 8,009,958 B1 8/2011 Schick et al.
 8,104,217 B2 * 1/2012 Huber F41G 1/38
 359/405
 D667,521 S * 9/2012 Hoshi D22/109
 D668,312 S * 10/2012 Asano D22/109
 D681,152 S * 4/2013 Burzel D22/109
 8,437,079 B2 5/2013 Wu
 D689,163 S * 9/2013 Radau D22/109
 D689,582 S * 9/2013 Radau D22/109
 D706,380 S * 6/2014 Gardiner D22/109
 D707,324 S * 6/2014 Radau D22/109
 D723,652 S * 3/2015 Radau D22/109
 D728,060 S * 4/2015 Vogl D22/109
 D728,061 S * 4/2015 Vogl D22/109
 D732,633 S * 6/2015 Cheng D22/109
 9,080,839 B2 * 7/2015 Arachequesne F41G 1/387
 D741,446 S * 10/2015 Cheng D22/109
 D764,007 S * 8/2016 Horton D22/109
 D779,622 S * 2/2017 Thomas D22/109
 2004/0047586 A1 * 3/2004 Schick F41G 1/30
 385/147

2009/0241399 A1 * 10/2009 Hamilton F41A 17/38
 42/119
 2010/0229451 A1 * 9/2010 Hamilton F41G 1/345
 42/126
 2011/0314720 A1 * 12/2011 Cheng F41G 1/345
 42/117
 2013/0276345 A1 * 10/2013 Hamilton F41G 1/38
 42/119
 2015/0135578 A1 * 5/2015 Walker F41G 1/38
 42/119
 2015/0143733 A1 * 5/2015 Thomas F41G 1/38
 42/119
 2015/0268000 A1 * 9/2015 Carroll F41G 1/38
 42/111

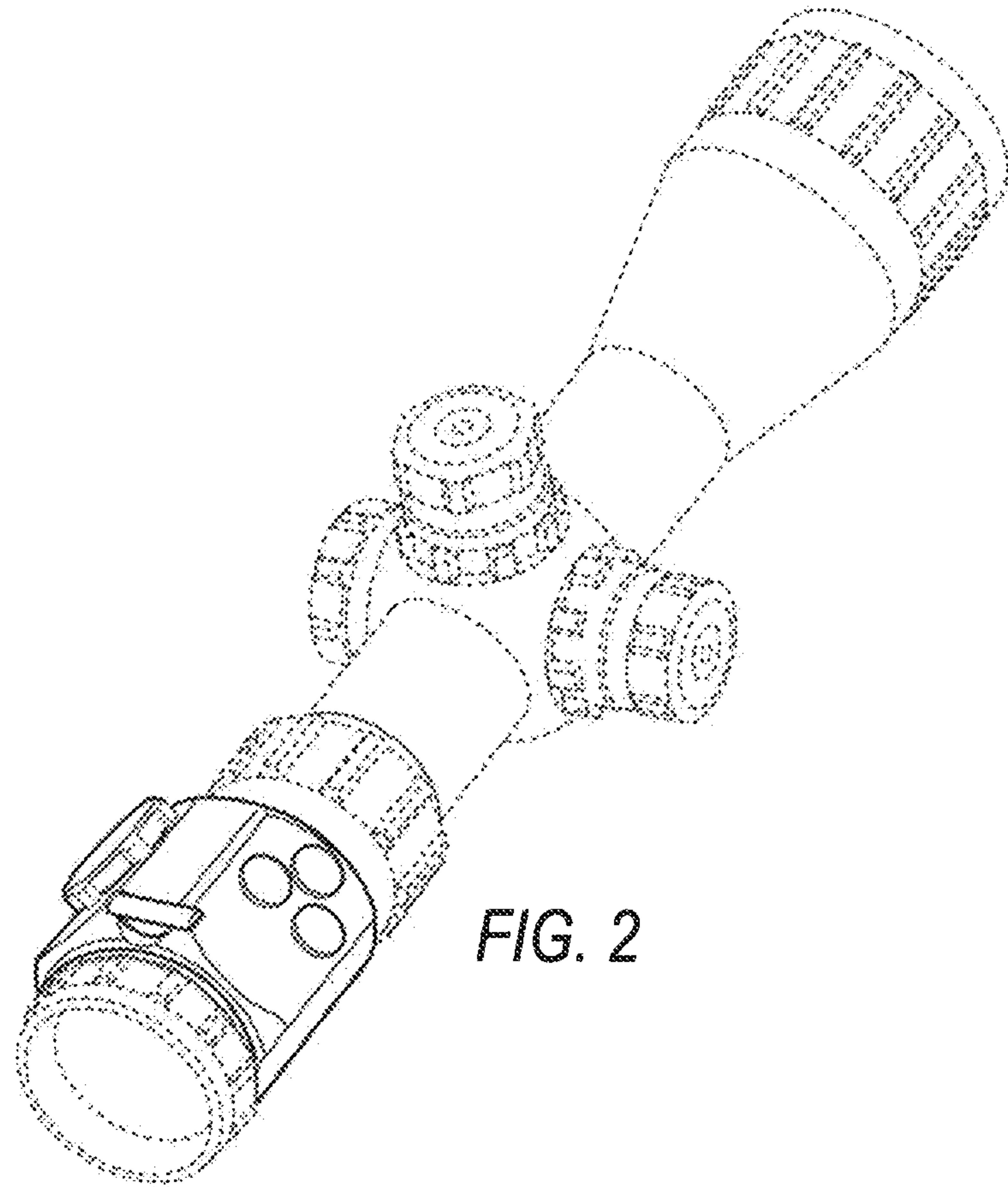
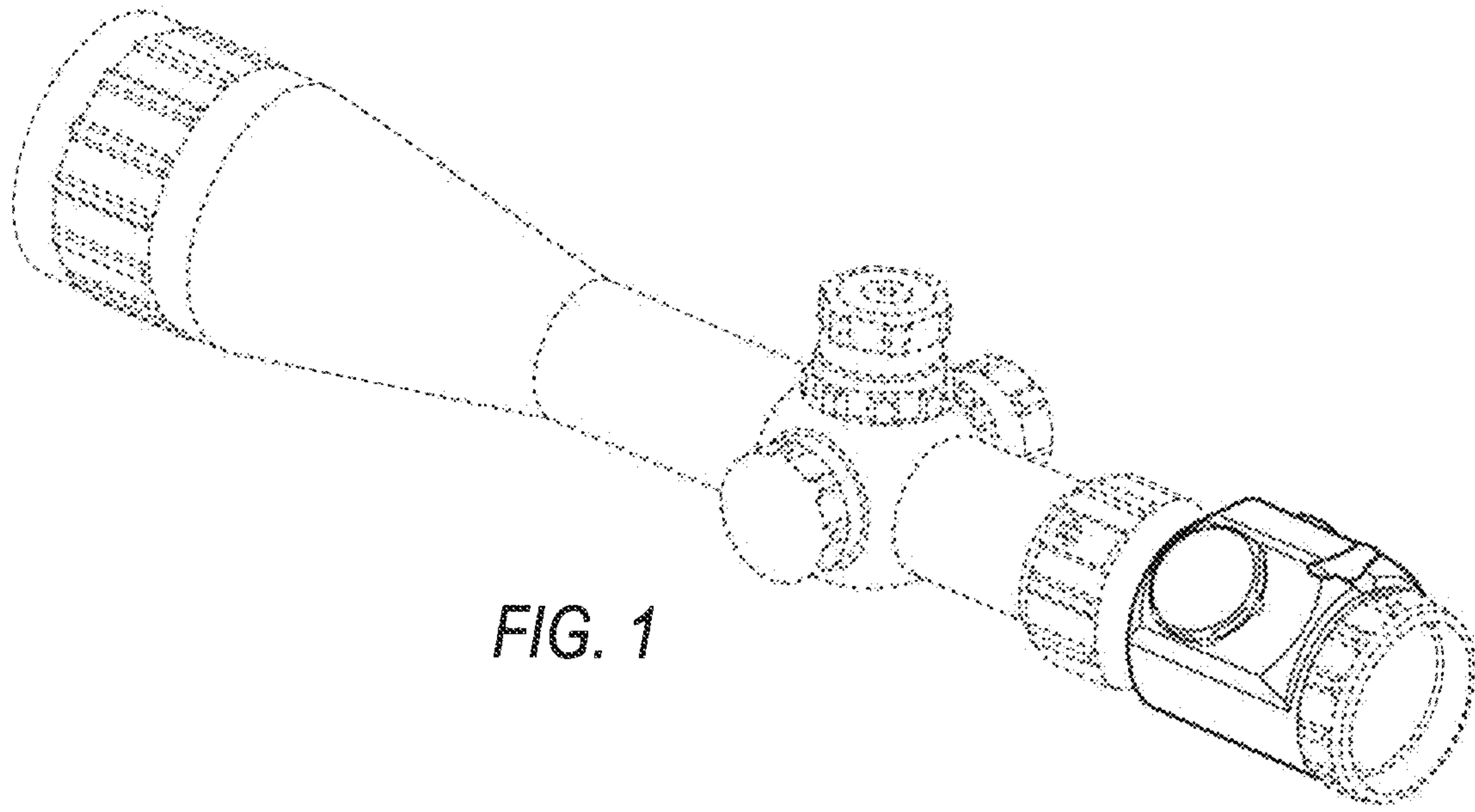
OTHER PUBLICATIONS

Nikon P-223 3-9×40 BDC 600 Rifle Scope—Nikon 8497 w/ Free S&H, OpticsPlanet.com, [online], [site visited Jun. 16, 2017]. URL: <http://www.opticsplanet.com/nikon-p-223-3-9x40-bdc-600-rifle-scope.html>.*

Athlon Optics Argos BTR 6-24×50 Side Focus Riflescope w/ Free Shipping and Handling, OpticsPlanet.com, [online], [site visited Jun. 16, 2017]. URL: <http://www.opticsplanet.com/athlon-optics-argos-6-24x50-side-focus-riflescope.html>.*

Leica Magnus 1.5-10×42 rifle scope reticle subtensions, Optics-Info.com, By Teodor Stimec, Published Jun. 19, 2014, [online], [site visited Jun. 16, 2017]. URL: <http://optics-info.com/leica-magnus-1-5-10x42-rifle-scope-reticle-subtensions/>.*

* cited by examiner



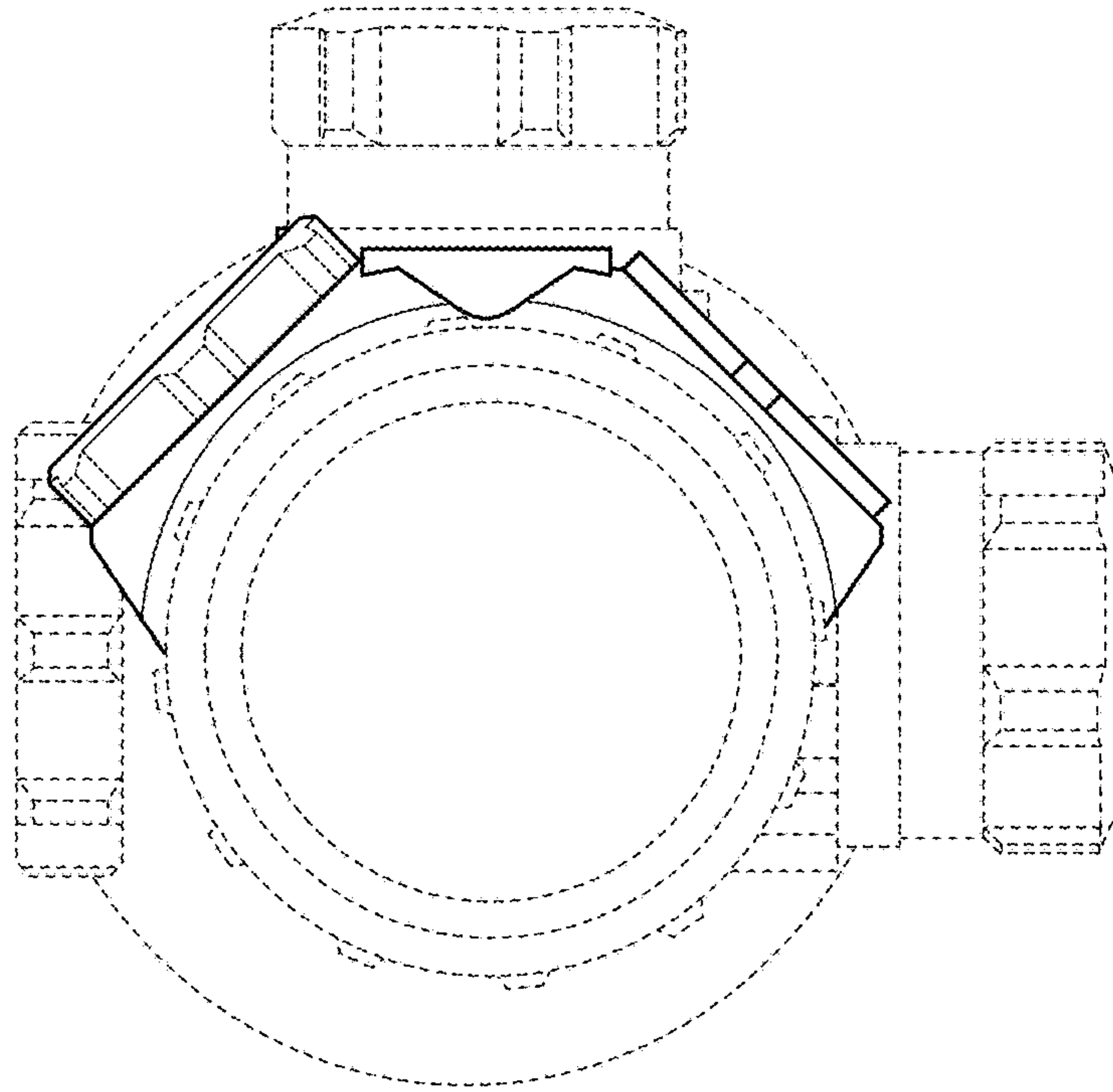


FIG. 3

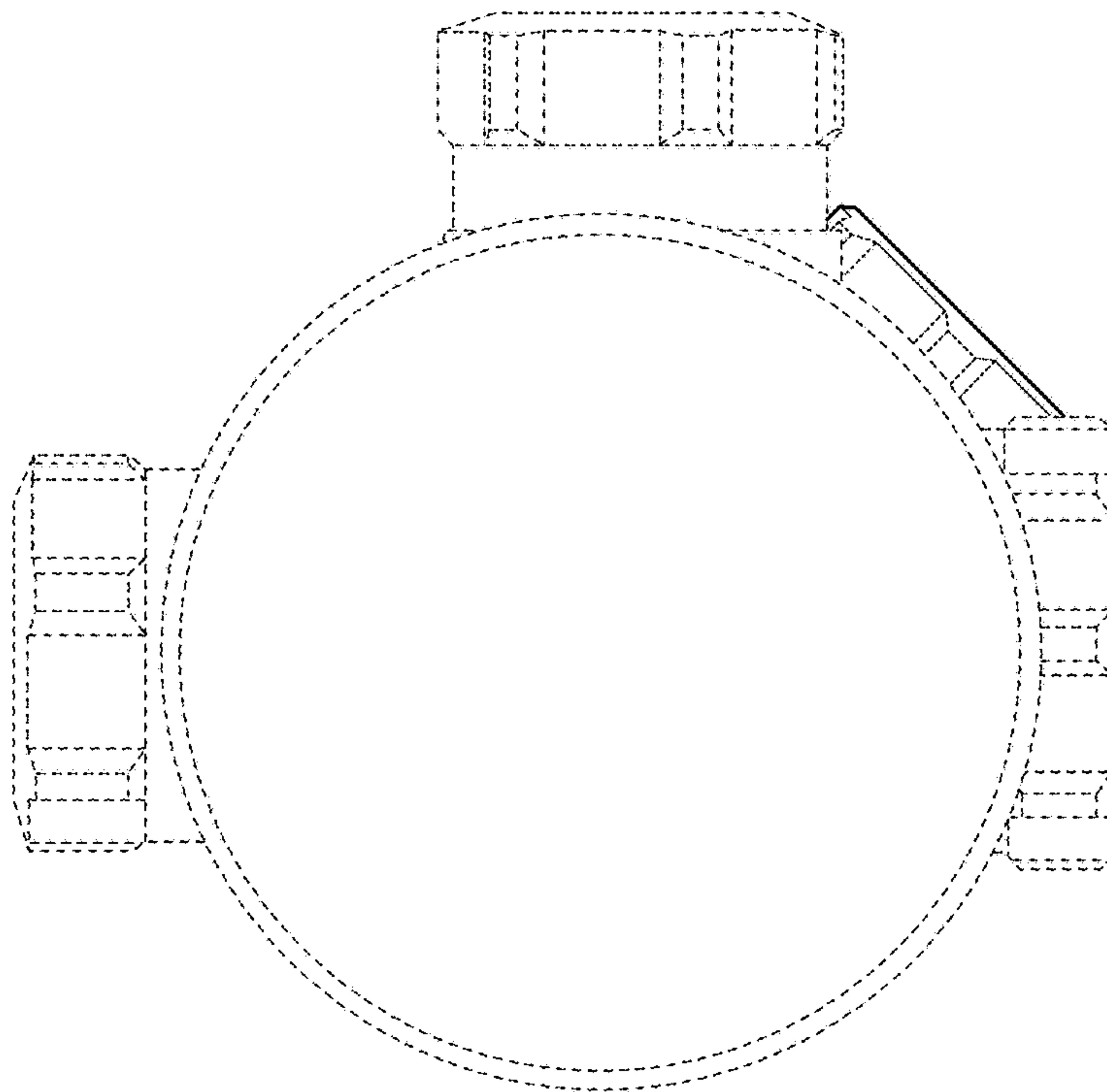


FIG. 4

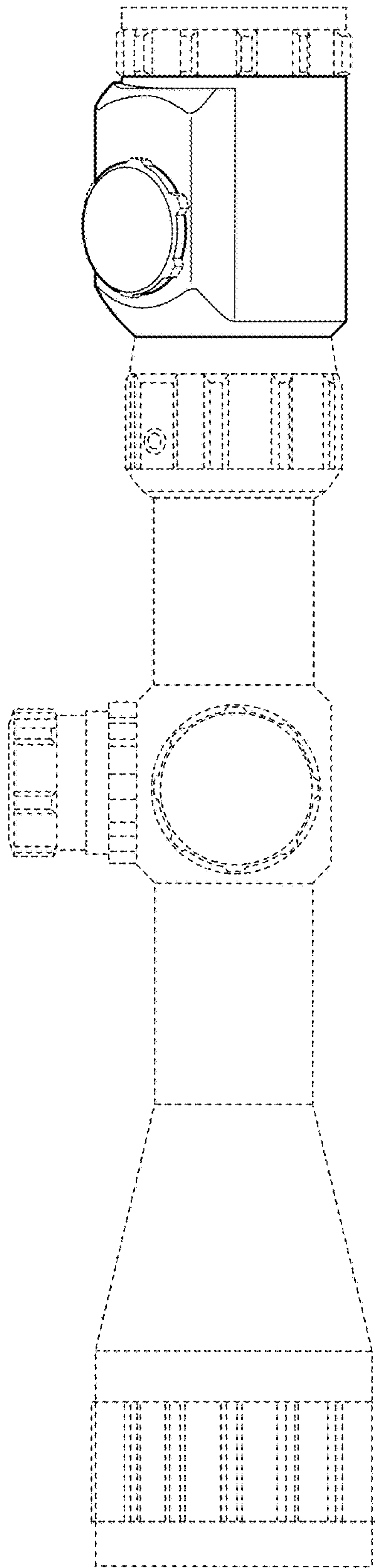


FIG. 5

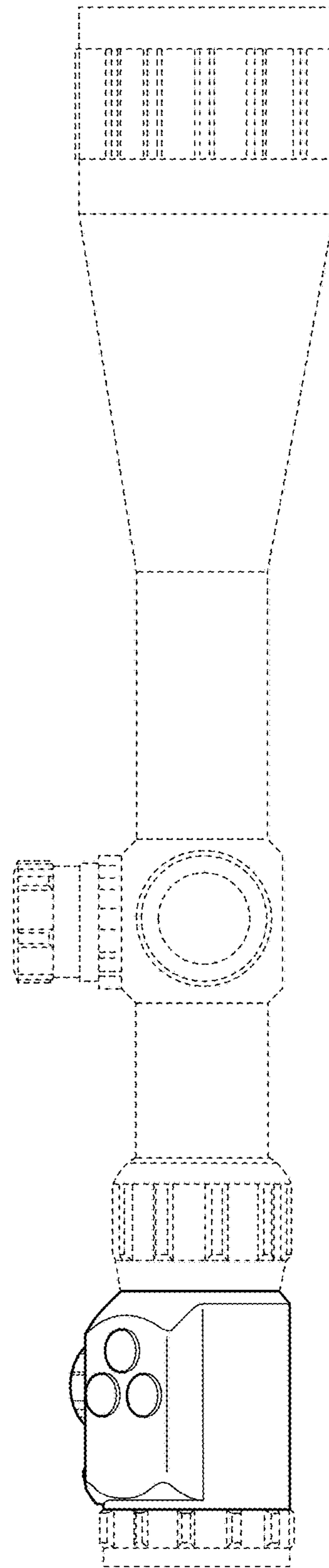


FIG. 6

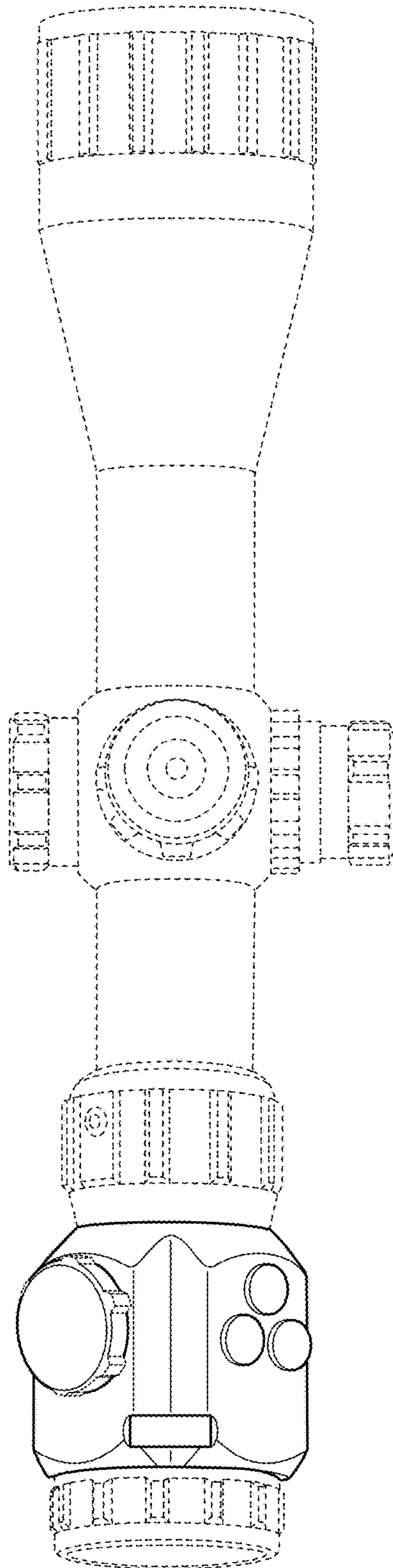


FIG. 7