



US00D807982S

(12) **United States Design Patent** (10) **Patent No.:** **US D807,982 S**
Alba (45) **Date of Patent:** **** Jan. 16, 2018**

(54) **SHOTGUN SHELL AND TRIGGER CLIP**

Primary Examiner — Michael A Pratt

(71) Applicant: **Thomas Joseph Alba**, Newport News, VA (US)

(74) *Attorney, Agent, or Firm* — Bryan Cave LLP

(72) Inventor: **Thomas Joseph Alba**, Newport News, VA (US)

(57) **CLAIM**

I claim the ornamental design for a shotgun shell and trigger clip, as shown and described.

(**) Term: **15 Years**

DESCRIPTION

(21) Appl. No.: **29/570,683**

FIG. 1 is a perspective view of shotgun shell and trigger clip showing the new design;

(22) Filed: **Jul. 11, 2016**

FIG. 2 is a rear view thereof;

(51) **LOC (11) Cl.** **22-01**

FIG. 3 is a front view thereof;

(52) **U.S. Cl.**

FIG. 4 is a side view thereof, the opposite side being a mirror image;

USPC **D22/108**

(58) **Field of Classification Search**

FIG. 5 is a top view thereof;

USPC D22/108; D21/571–575

FIG. 6 is a bottom view thereof;

CPC F41C 23/04; F41C 23/14; F41C 23/06;

FIG. 7 is a perspective view showing the design of FIG. 1 in an environment of use; and,

F41C 23/22; F41C 33/007

FIG. 8 is a rear view showing the design of FIG. 1 in an environment of use.

See application file for complete search history.

The broken lines appearing on the shotgun shell and trigger dip in FIGS. 1, 4, and 7 have been included for illustrative purposes only and form no part of the claimed design. The additional broken lines in FIGS. 7-8 illustrate environmental structure and form no part of the claimed design.

(56) **References Cited**

U.S. PATENT DOCUMENTS

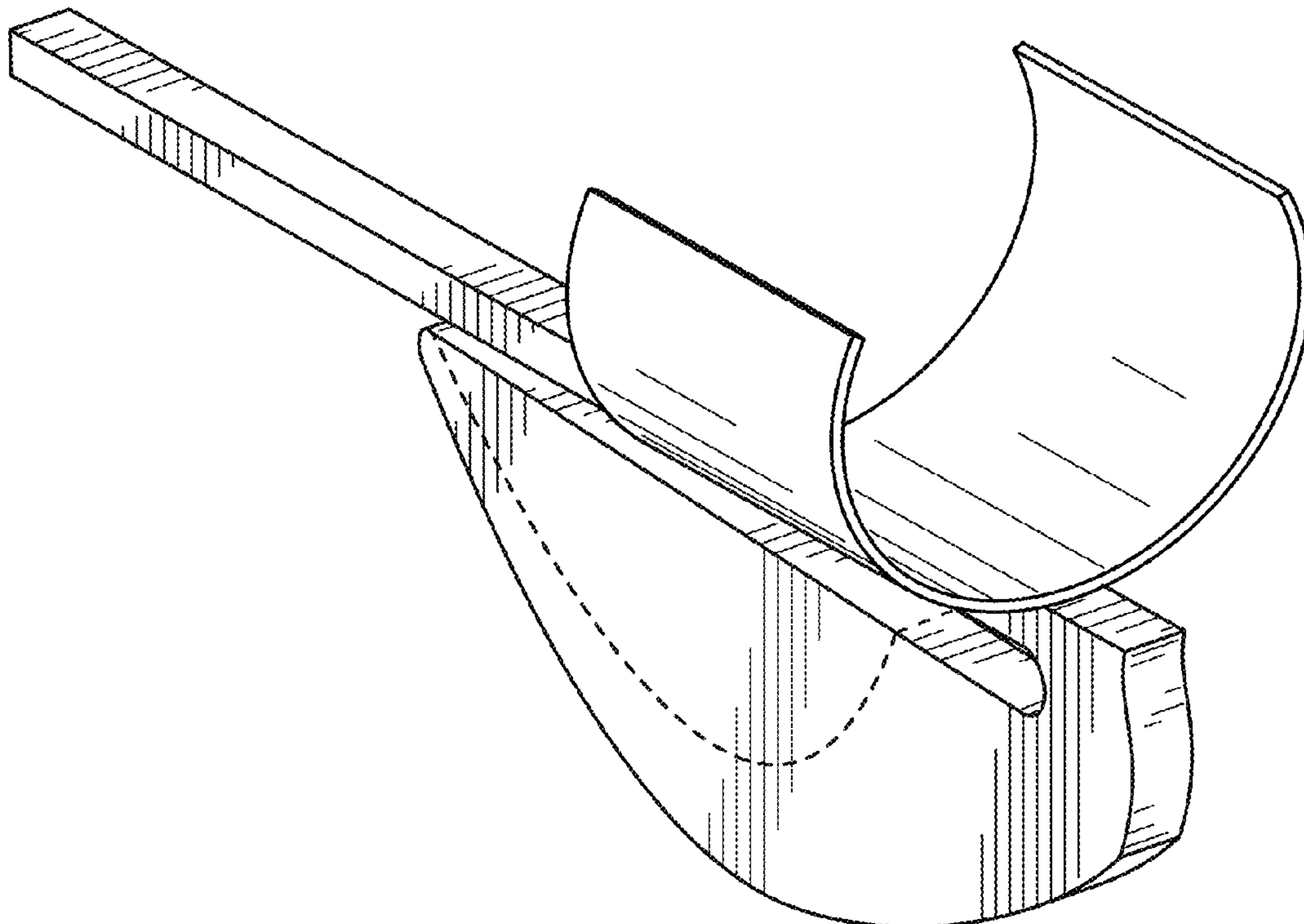
D582,980 S * 12/2008 Price D19/171

D646,713 S * 10/2011 Maiaro D19/154

D744,590 S * 12/2015 Heusinger D19/154

* cited by examiner

1 Claim, 7 Drawing Sheets



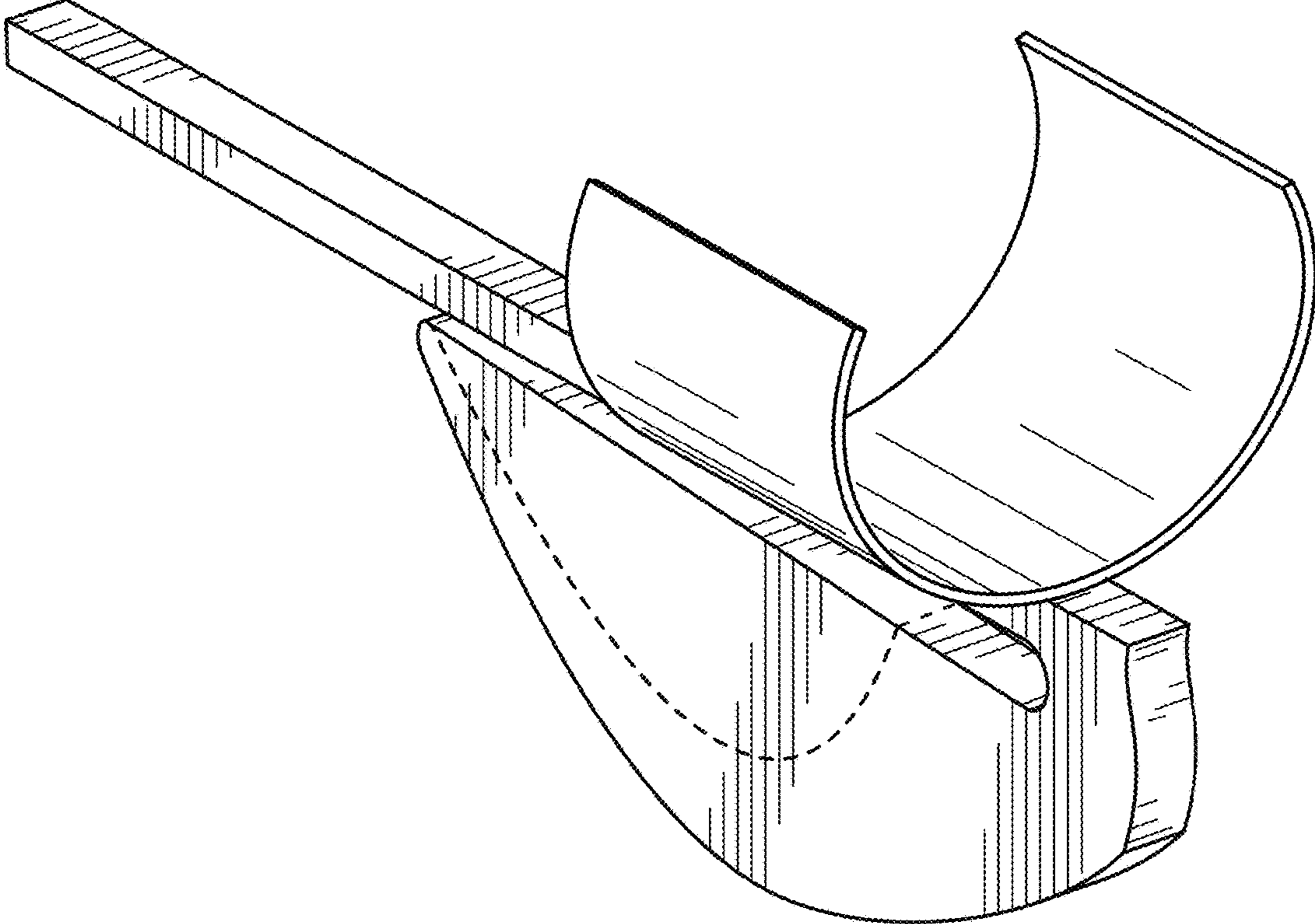


FIG. 1

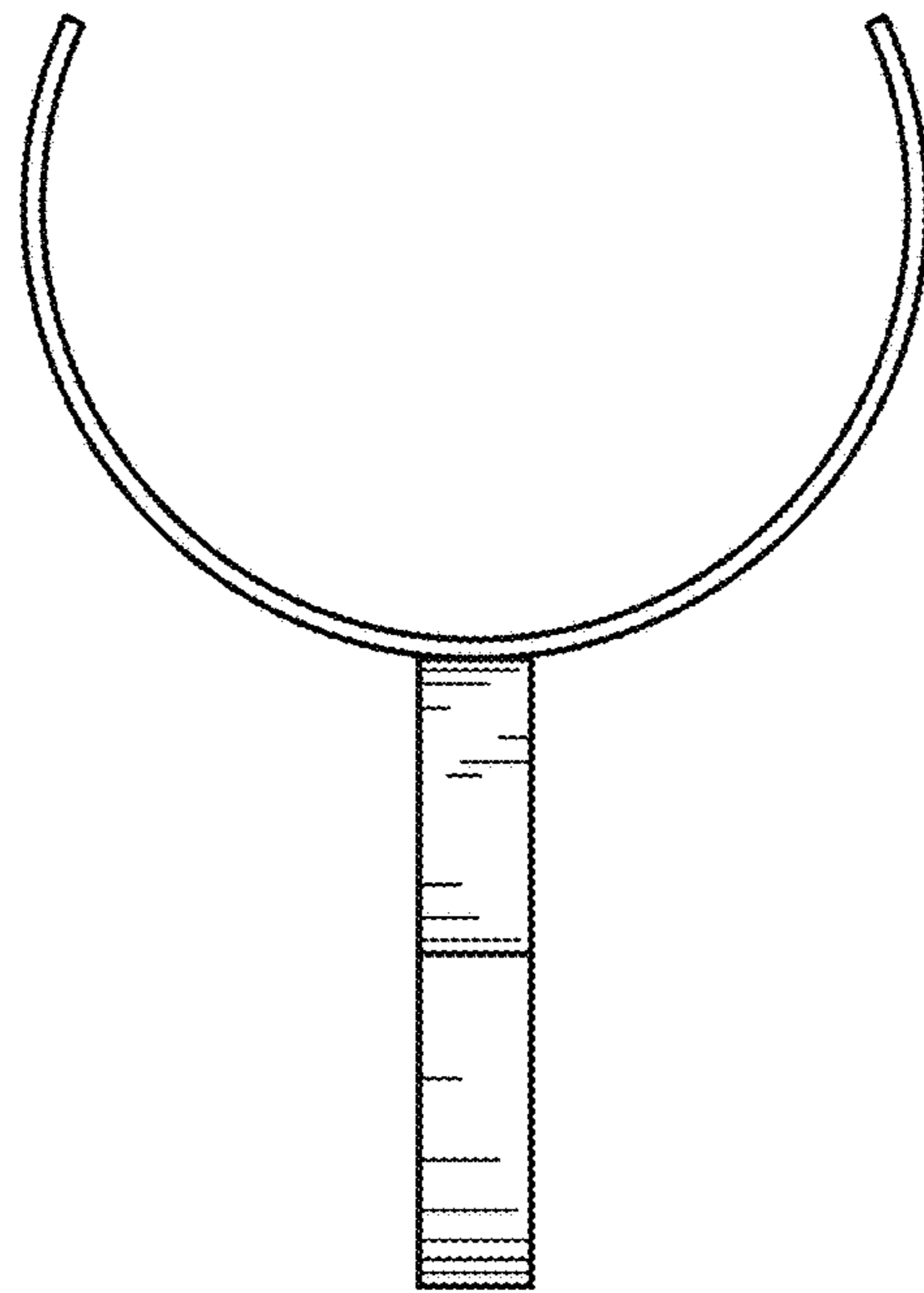


FIG. 2

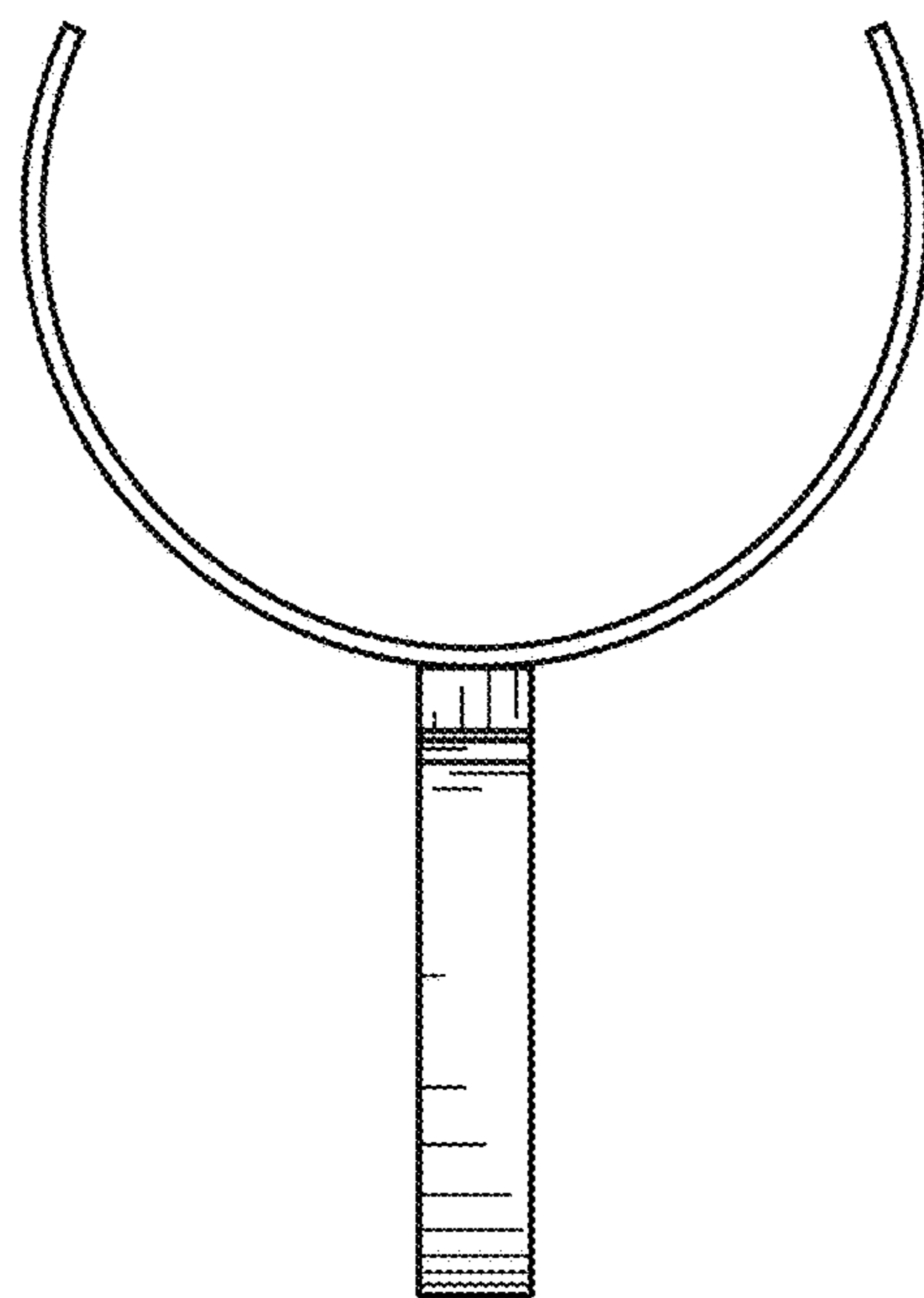


FIG. 3

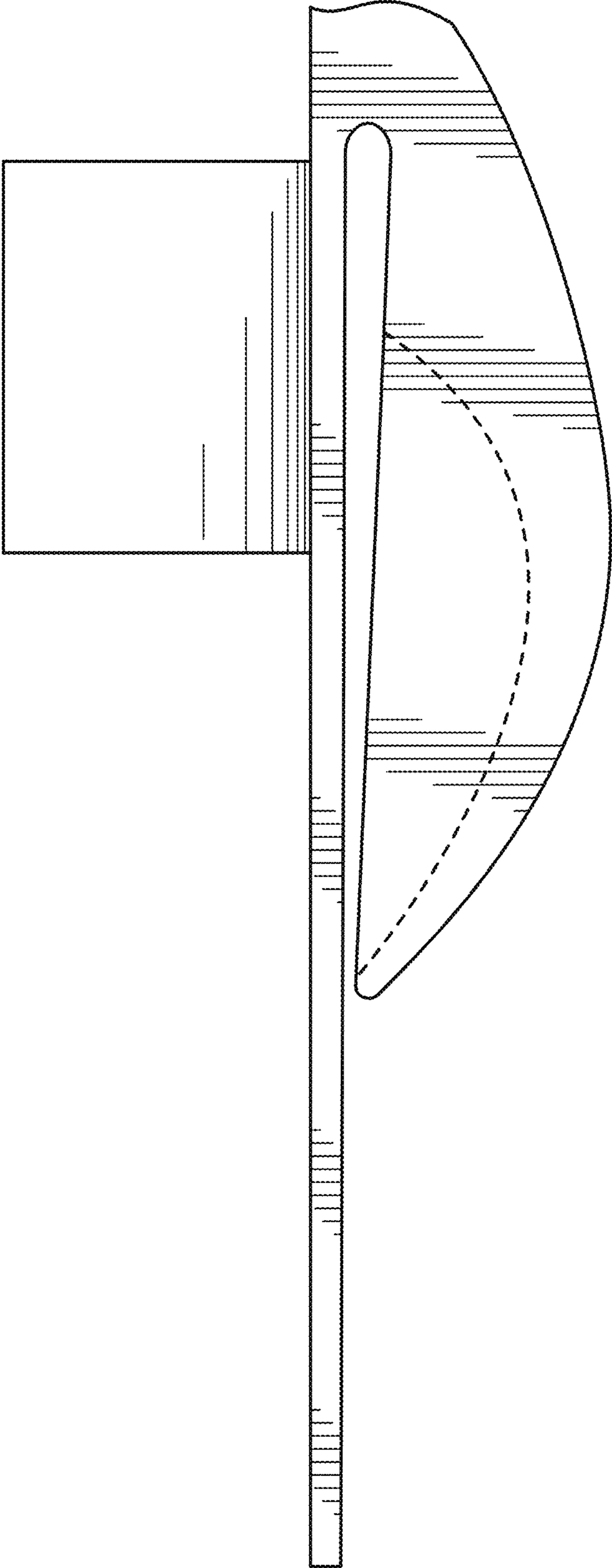


FIG. 4

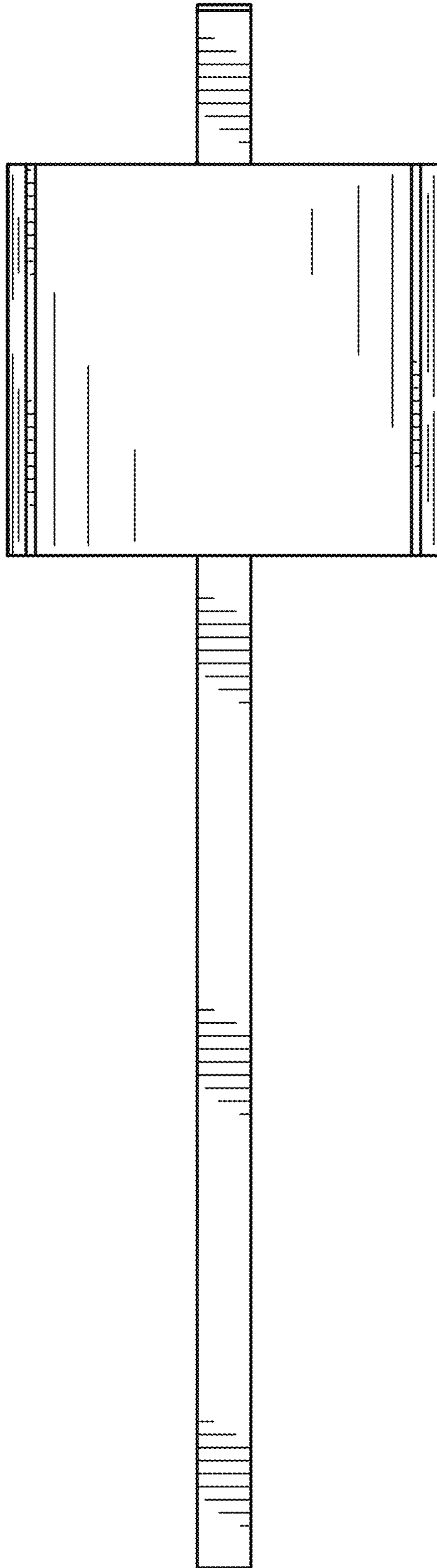


FIG. 5

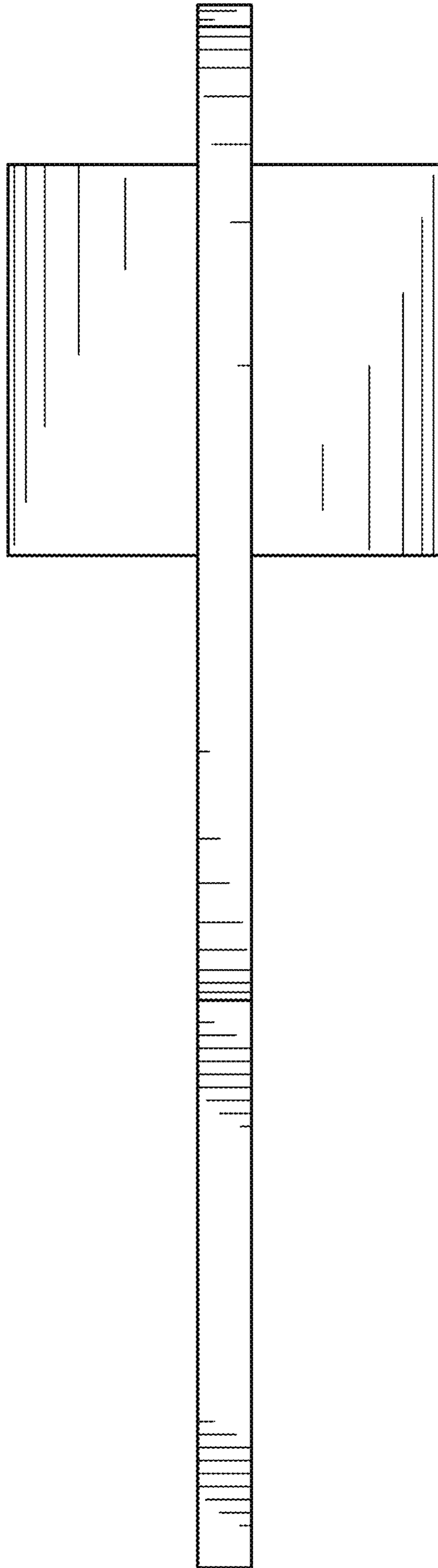


FIG. 6

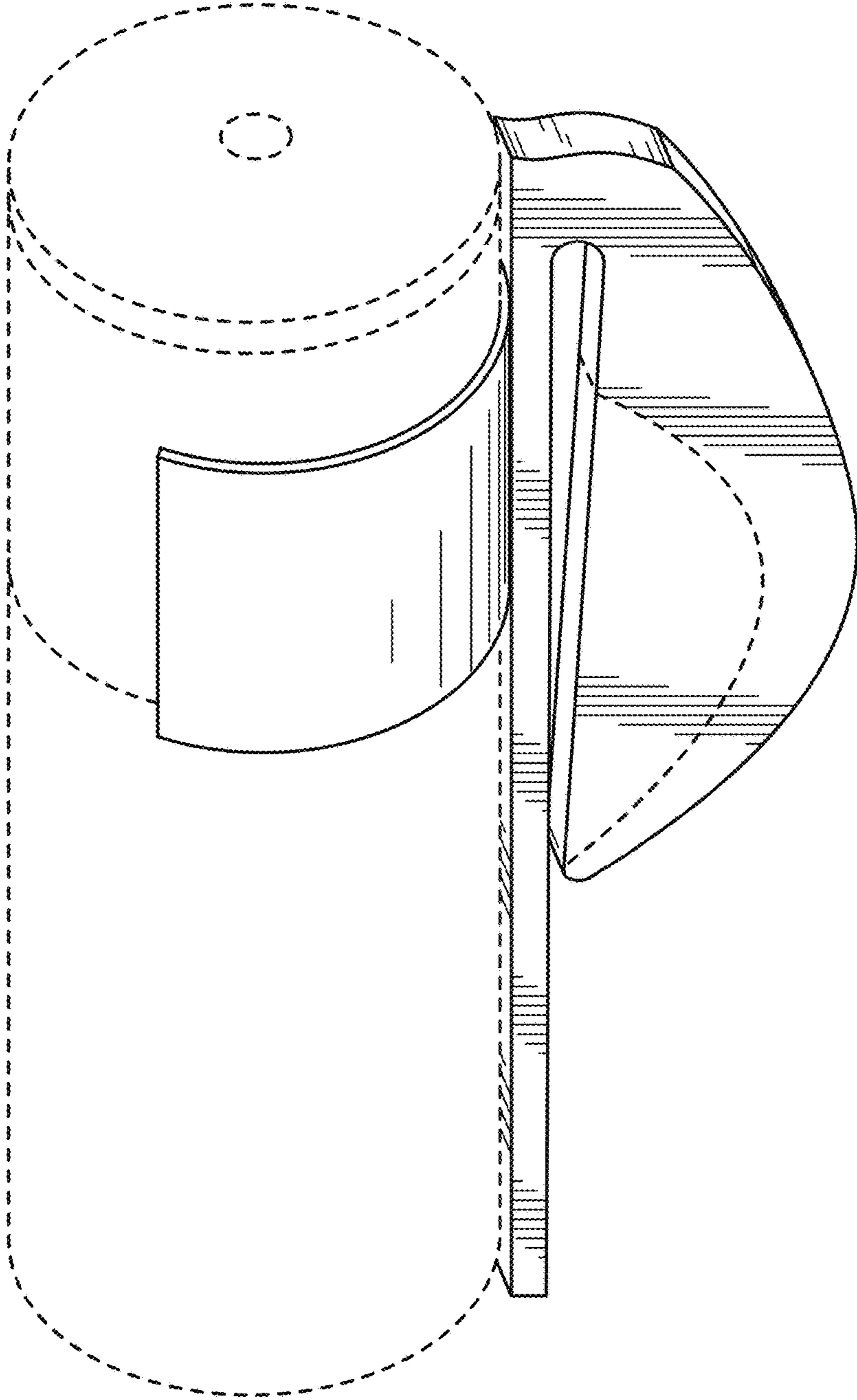


FIG. 7

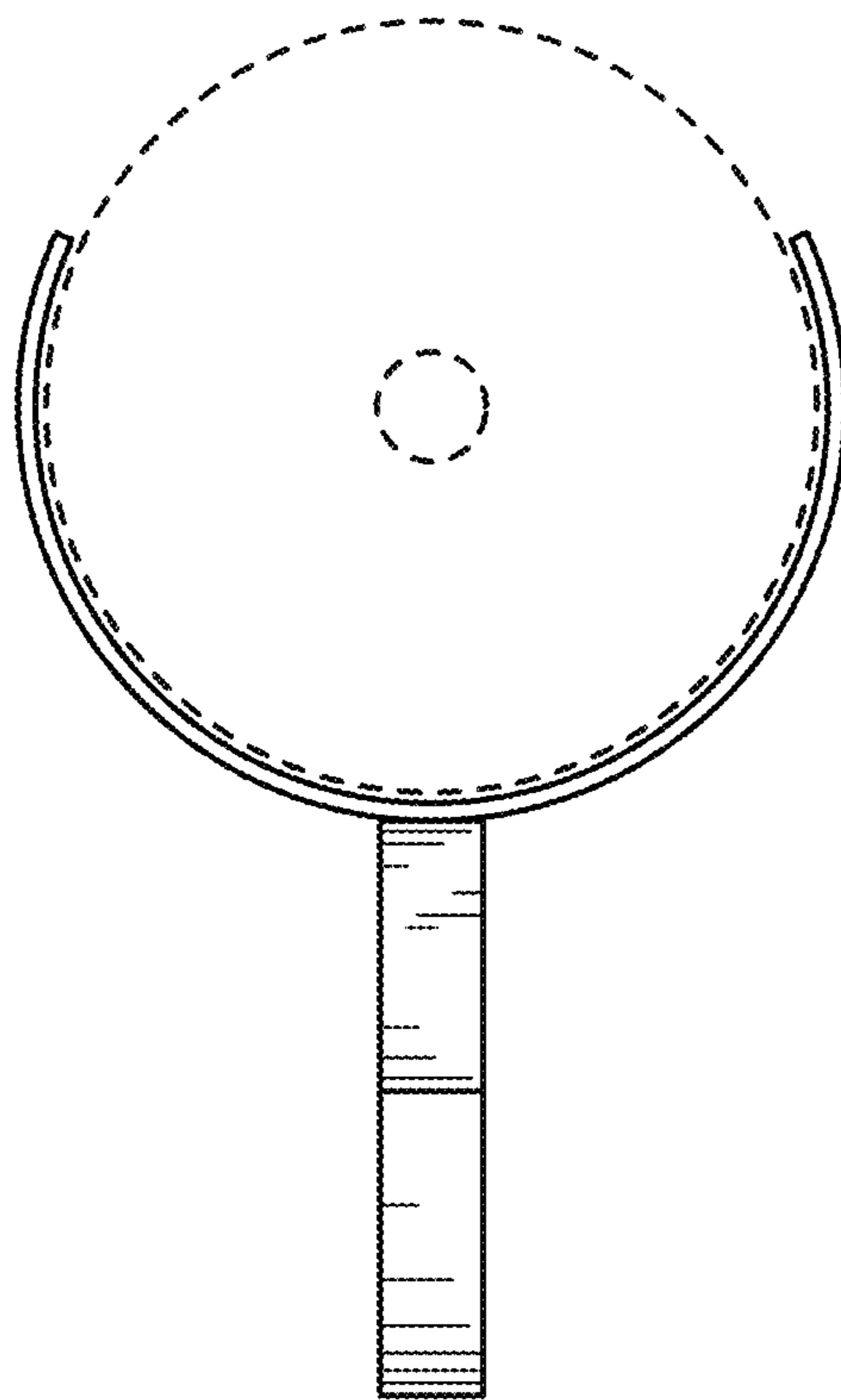


FIG. 8