



US00D807981S

(12) **United States Design Patent**
Cheng et al.

(10) **Patent No.: US D807,981 S**

(45) **Date of Patent: ** Jan. 16, 2018**

(54) **FIREARM LIGHT MODULE**

D628,324 S * 11/2010 Matthews D22/108
D674,858 S * 1/2013 Galli D22/108

(71) Applicants: **Carson Cheng**, City of Industry, CA (US); **Jason Michael Cheng**, City of Industry, CA (US); **Richard Thomas**, City of Industry, CA (US)

* cited by examiner

Primary Examiner — Karen S Acker

Assistant Examiner — Steven B Reinholdt, Jr.

(72) Inventors: **Carson Cheng**, City of Industry, CA (US); **Jason Michael Cheng**, City of Industry, CA (US); **Richard Thomas**, City of Industry, CA (US)

(74) *Attorney, Agent, or Firm* — Raymond Y. Chan; David and Raymond Patent Firm

(73) Assignee: **NcSTAR, Inc.**, City of Industry, CA (US)

(57) **CLAIM**

The ornamental design for a firearm light module, as shown and described.

(**) Term: **15 Years**

(21) Appl. No.: **29/552,203**

DESCRIPTION

(22) Filed: **Jan. 21, 2016**

(51) **LOC (11) Cl.** **22-01**

(52) **U.S. Cl.**
USPC **D22/108**

(58) **Field of Classification Search**
USPC D22/108, 109, 199; D26/37, 46, 47, 48, D26/49; 362/157–158, 183, 184, 190, 362/194, 195, 196, 197, 202–208
CPC . F41G 11/003; F41G 1/00; F41G 1/16; F41G 1/345
See application file for complete search history.

FIG. 1 is a perspective view of a firearm light module our new design, illustrating the firearm light module in use as firearm flashlight module;

FIG. 2 is a front view thereof;

FIG. 3 is a rear view thereof;

FIG. 4 is a right view thereof;

FIG. 5 is a left view thereof;

FIG. 6 is a top view thereof; and,

FIG. 7 is a bottom view thereof.

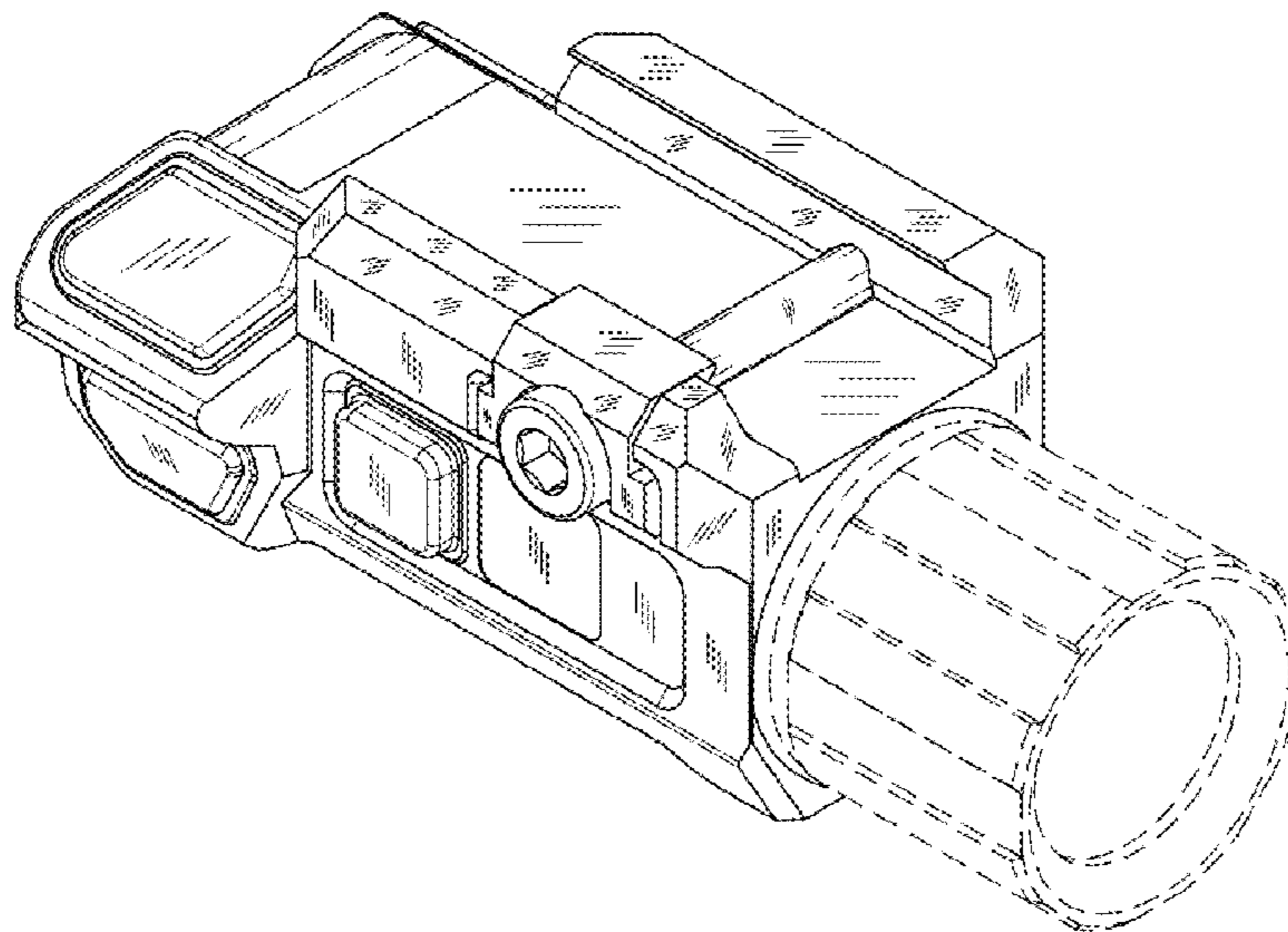
The broken line portion of the figure drawings is included to show unclaimed subject matter only and forms no part of the claimed design.

(56) **References Cited**

U.S. PATENT DOCUMENTS

D578,599 S * 10/2008 Cheng D16/130
D628,323 S * 11/2010 Matthews D22/108

1 Claim, 4 Drawing Sheets



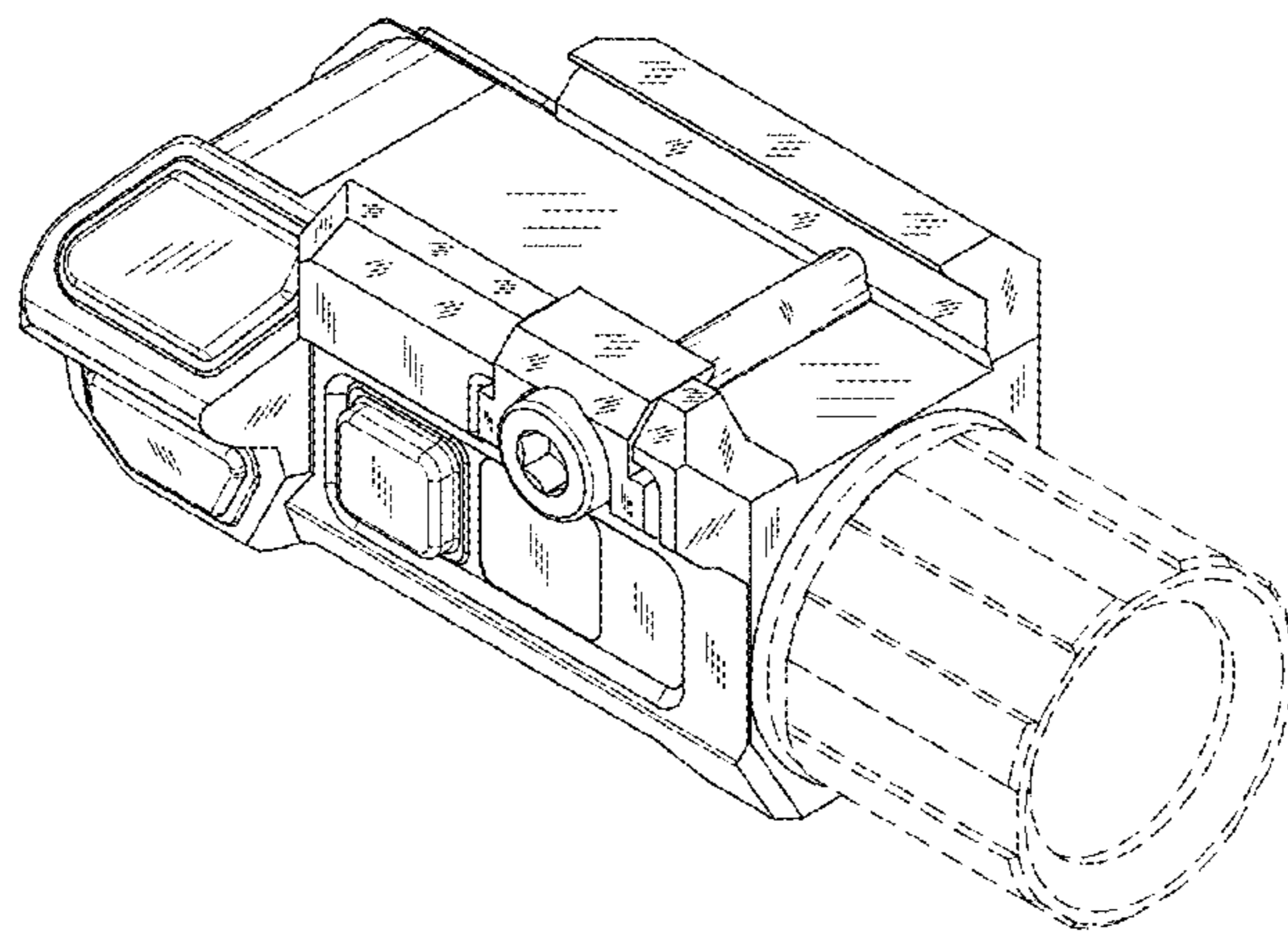


FIG.1

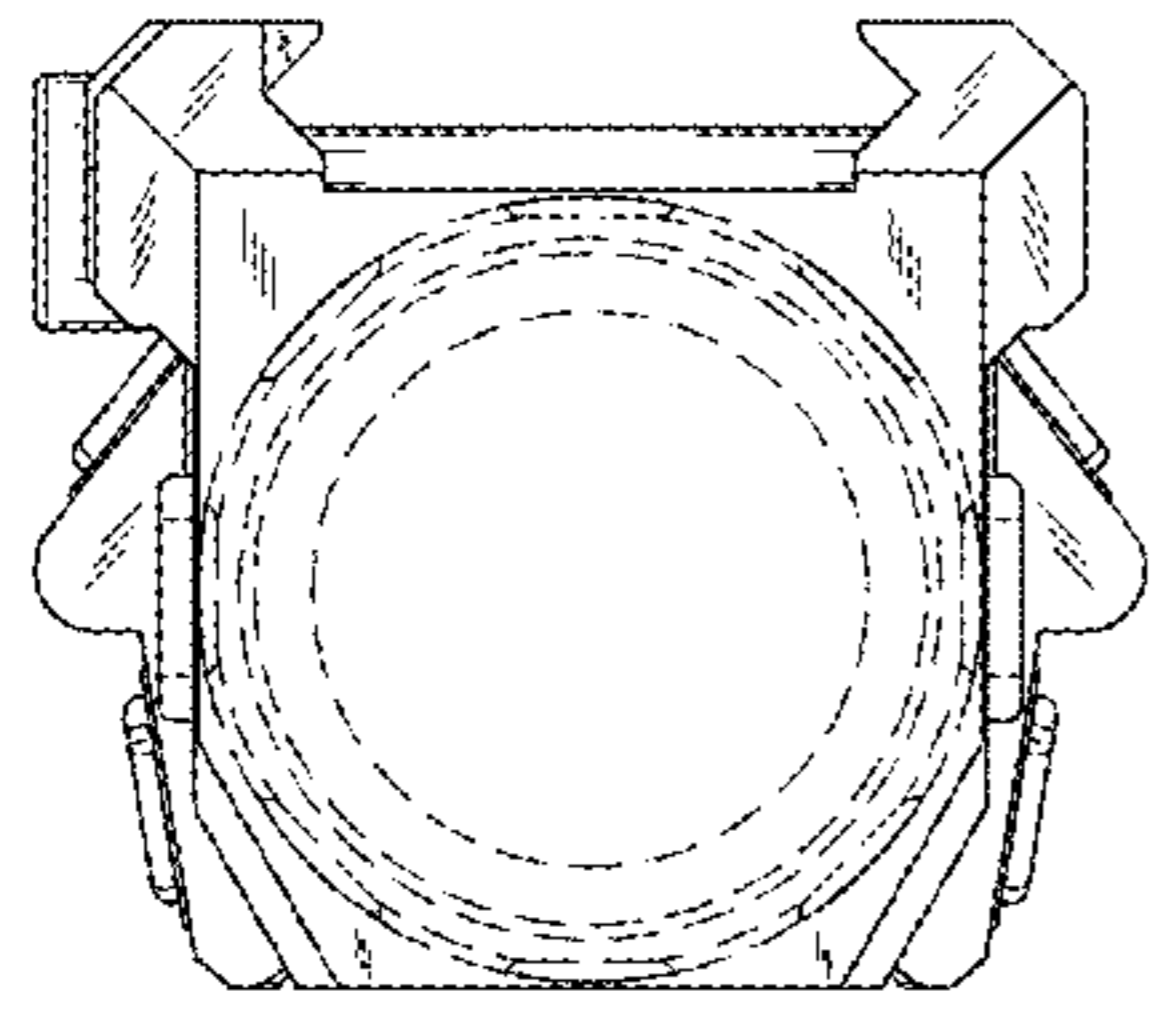


FIG.2

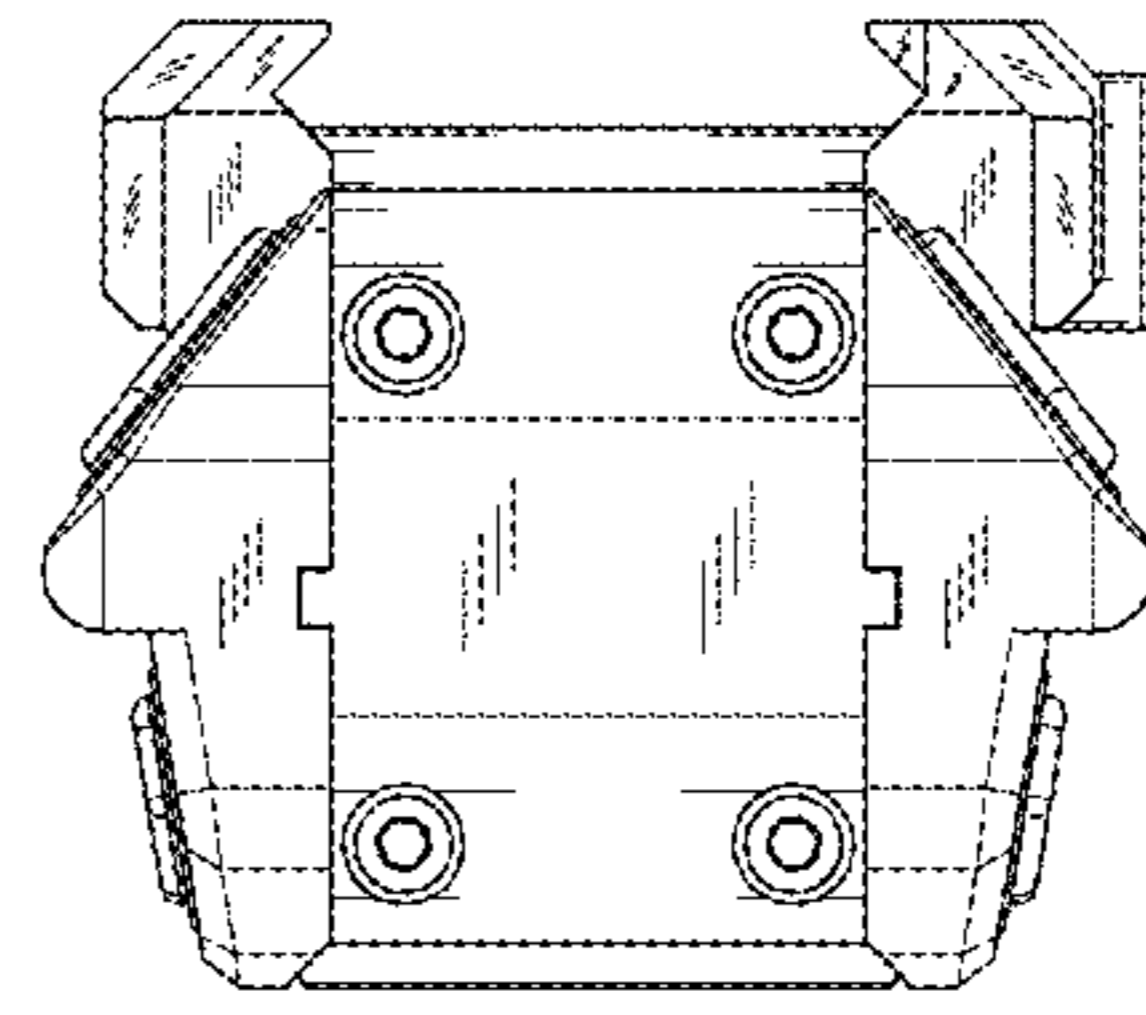


FIG.3

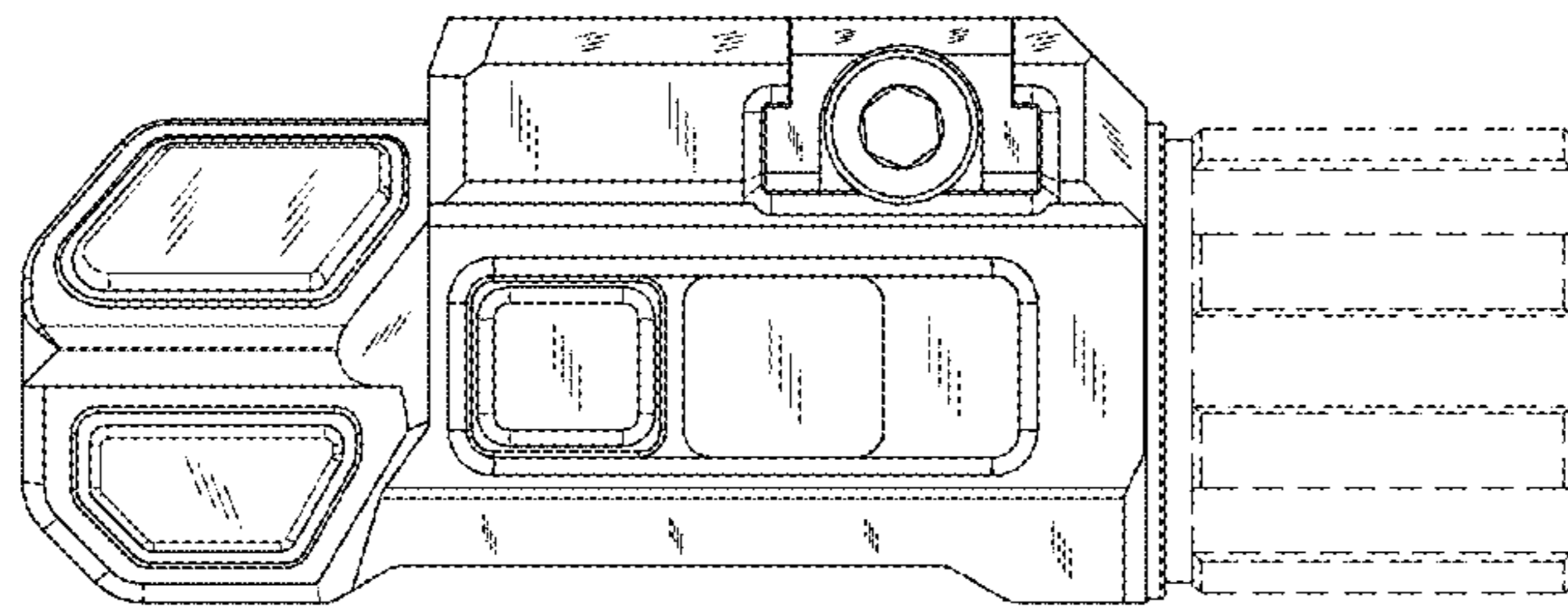


FIG. 4

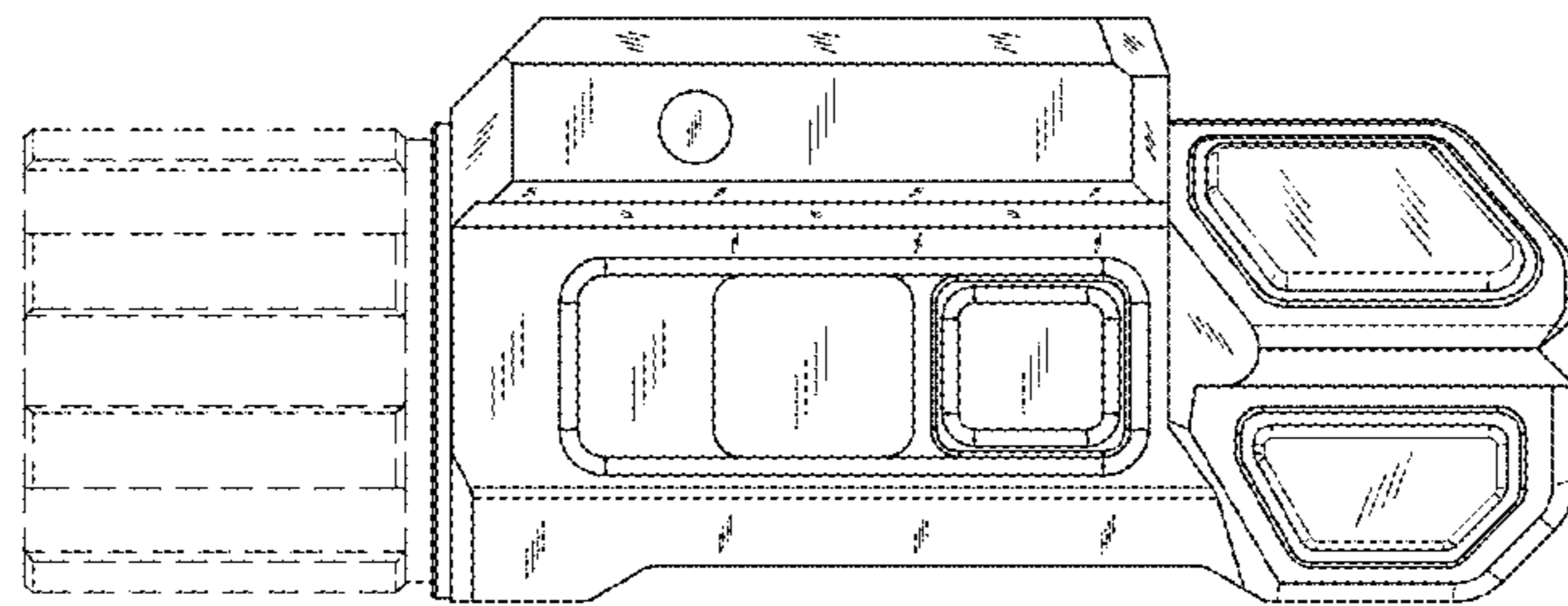


FIG. 5

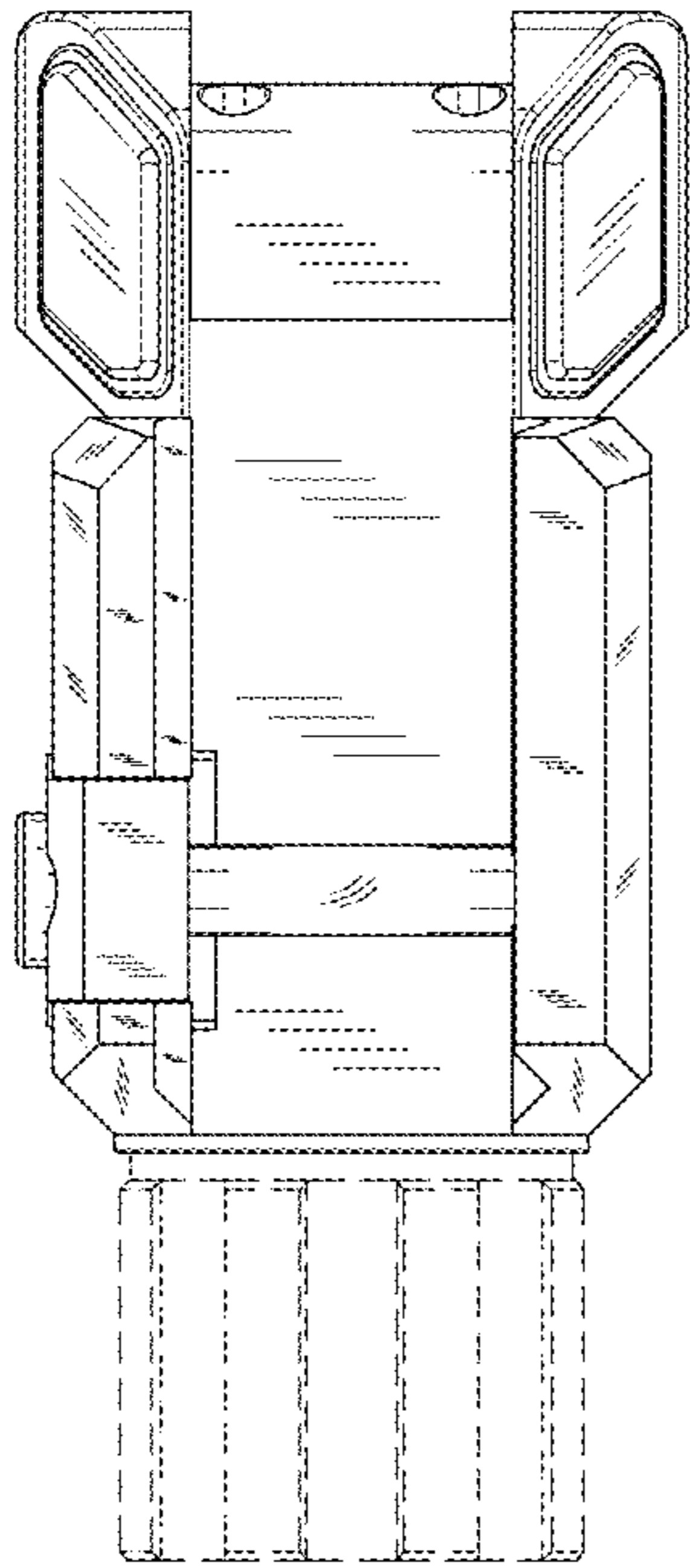


FIG.6

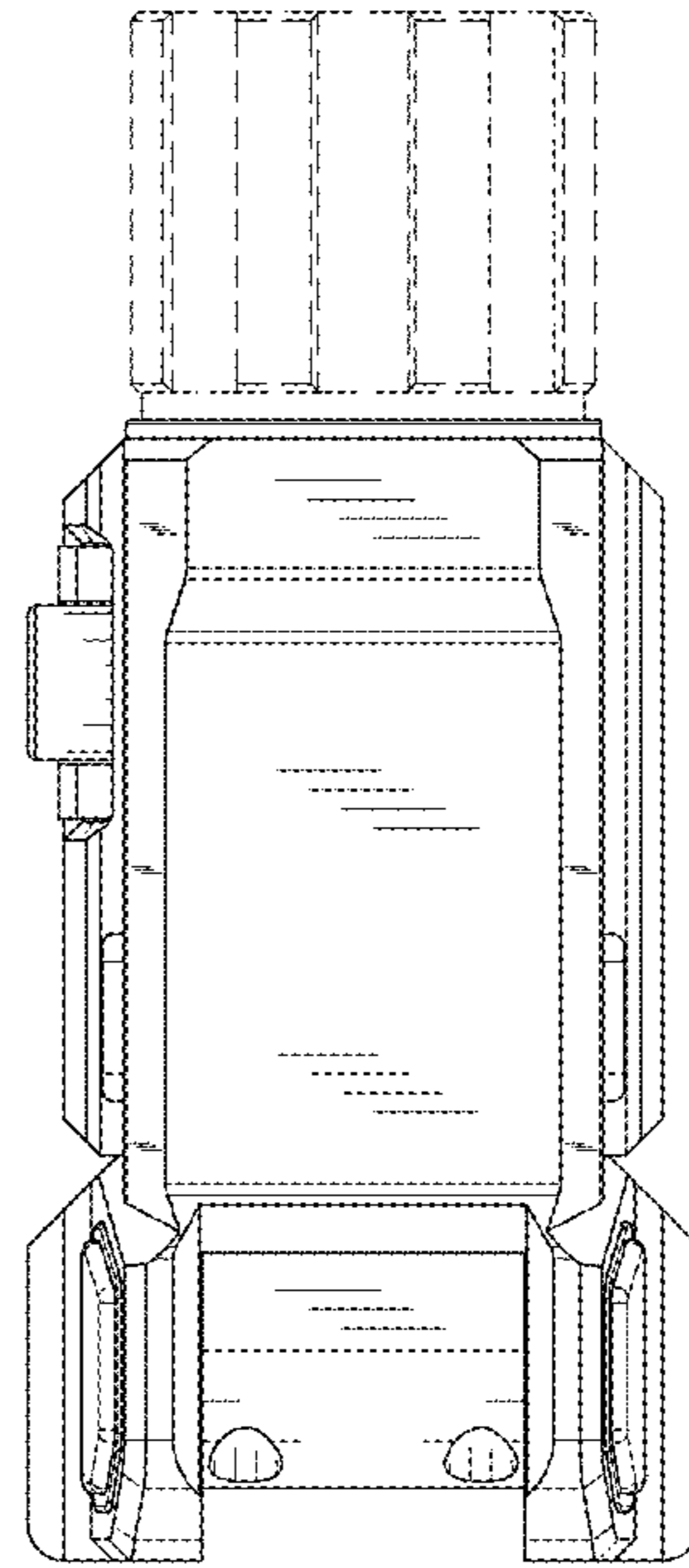


FIG.7