



US00D807980S

(12) **United States Design Patent** (10) **Patent No.:** **US D807,980 S**
Frederickson et al. (45) **Date of Patent:** **** Jan. 16, 2018**

(54) **MUZZLE BRAKE FOR FIREARM**

- (71) Applicant: **WIPH, LLC**, St. George, UT (US)
(72) Inventors: **Clifford J. Frederickson**, St. George, UT (US); **David A. T. Lake**, Washington, UT (US)
(73) Assignee: **WIPH, LLC**, Washington, UT (US)
(**) Term: **15 Years**
(21) Appl. No.: **29/551,987**
(22) Filed: **Jan. 19, 2016**
(51) **LOC (11) Cl.** **22-01**
(52) **U.S. Cl.**
USPC **D22/108**
(58) **Field of Classification Search**
USPC D22/103, 108; 46/1.06
CPC F41A 21/34; F41A 21/325; F41A 21/32;
F41A 21/28; F41A 21/36
See application file for complete search history.

(56) **References Cited**

U.S. PATENT DOCUMENTS

4,545,285	A	10/1985	McLain	
5,303,677	A	4/1994	Kleinguenther et al.	
6,752,062	B2	6/2004	Vais	
6,820,530	B2	11/2004	Vais	
7,032,339	B1	4/2006	Bounds	
7,143,680	B2	12/2006	Bender	
D594,082	S *	6/2009	O'Quinn	F41A 21/30 D22/108
8,087,337	B1	1/2012	Cary	
9,310,152	B1 *	4/2016	Poling	F41A 21/36
2011/0226121	A1	9/2011	Peterson et al.	
2012/0246987	A1	10/2012	Anthony	

OTHER PUBLICATIONS

Notification of Transmittal of the International Search Report and the Written Opinion of the International Searching Authority, or the Declaration; International Application No. PCT/US2017/013887, WIPH, LLC (Lake, David A.T.); Sep. 13, 2017.

* cited by examiner

Primary Examiner — Susan Bennett Hattan

Assistant Examiner — S. Bryan Reinholdt, Jr.

(74) *Attorney, Agent, or Firm* — Laubscher, Spendlove & Laubscher, P.C.

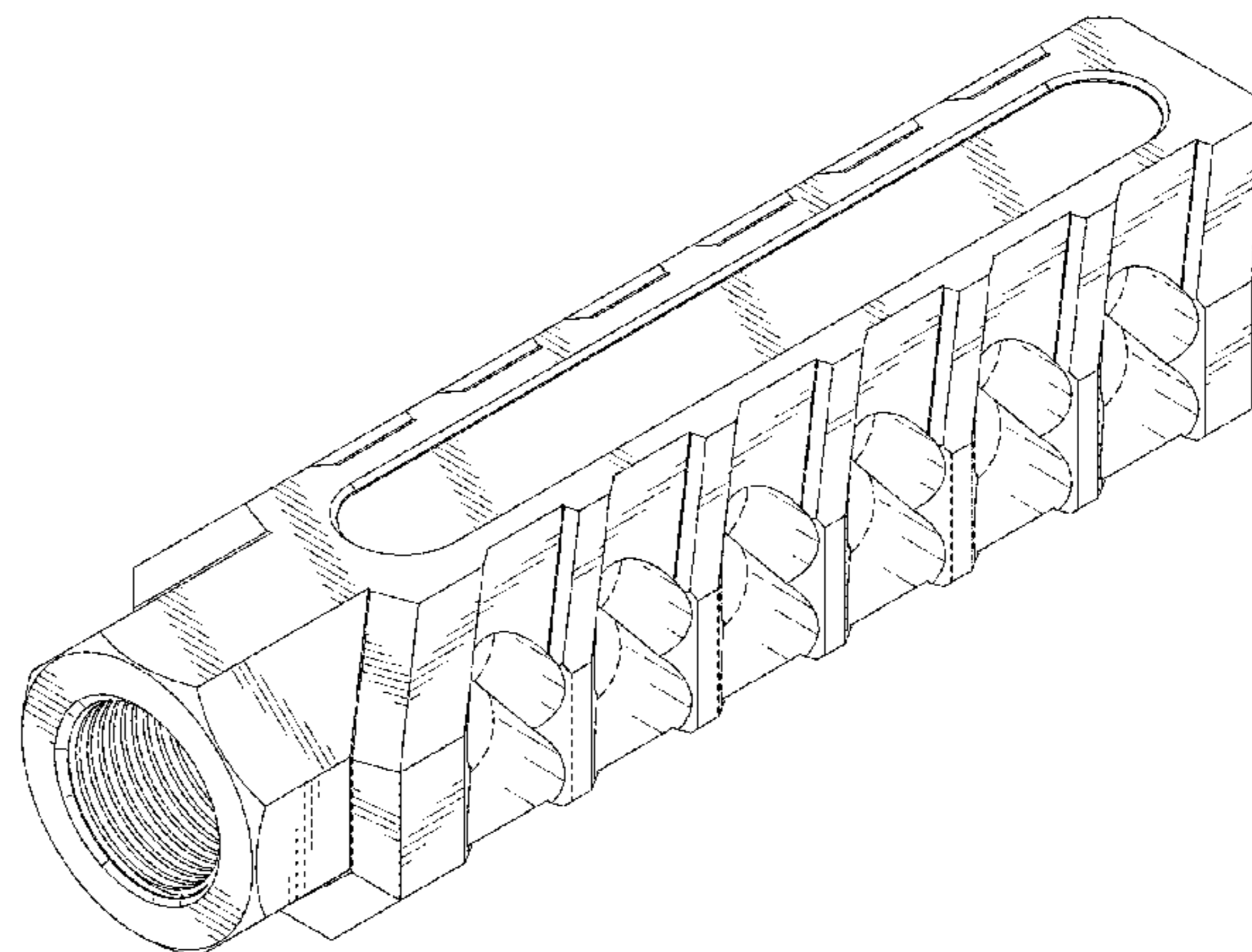
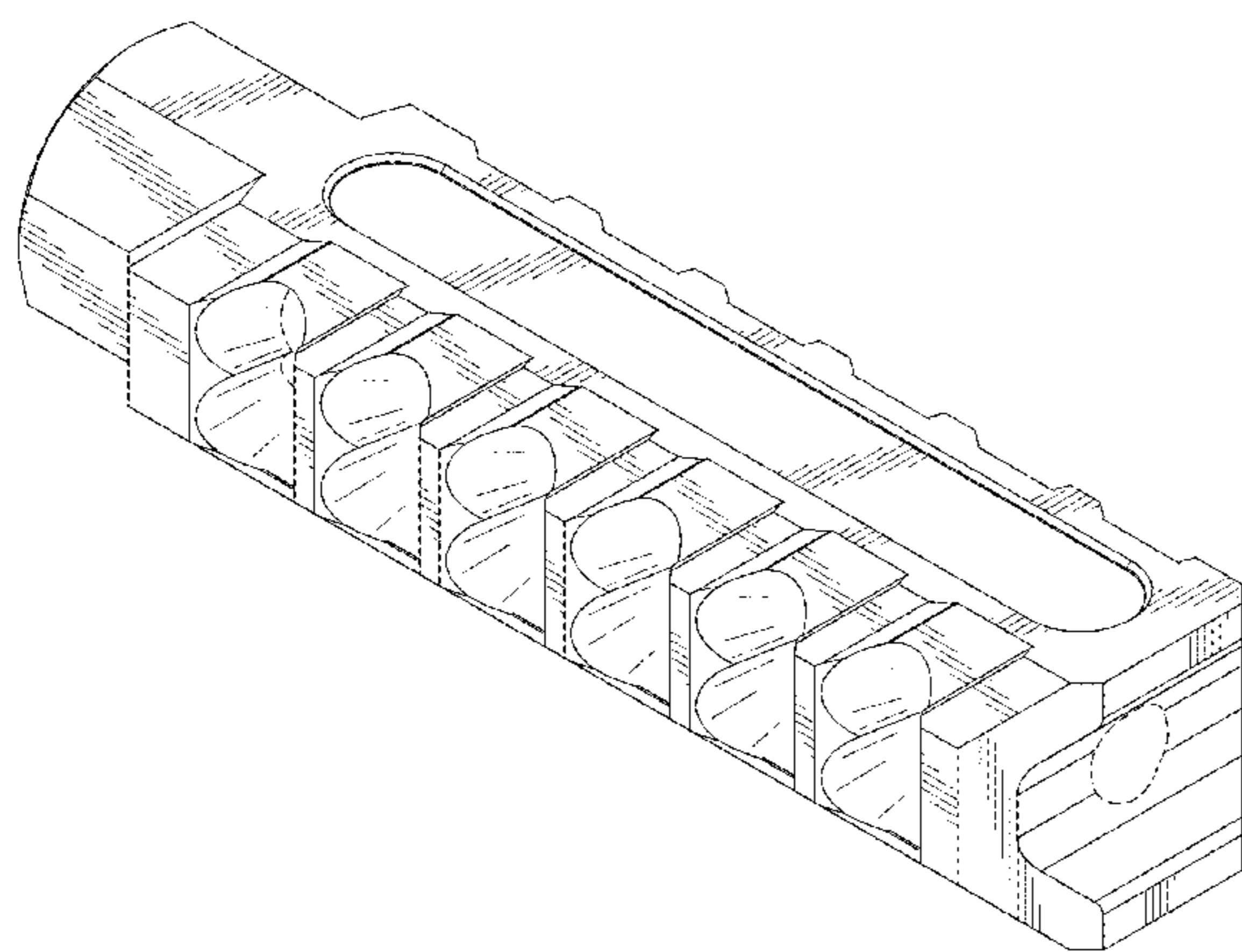
(57) **CLAIM**

The ornamental design for a muzzle brake for a firearm, as shown and described.

DESCRIPTION

FIG. 1 is a view of the top of a muzzle brake for a firearm; FIG. 2 is a view of the side of a muzzle brake for a firearm illustrated in FIG. 1; FIG. 3 is a view of the bottom of a muzzle brake for a firearm illustrated in FIG. 1; FIG. 4 is a view of the rear of a of a muzzle brake for a firearm illustrated in FIG. 1; FIG. 5 is a view of the front of a muzzle brake for a firearm illustrated in FIG. 1; FIG. 6 is a perspective view of the front, top and right sides of a muzzle brake for a firearm illustrated in FIG. 1; and, FIG. 7 is a perspective view of the rear, bottom and left sides of a muzzle brake for a firearm illustrated in FIG. 1. The portion of the article depicted in broken lines is for illustrative purposes only and forms no part of the claimed design.

1 Claim, 4 Drawing Sheets



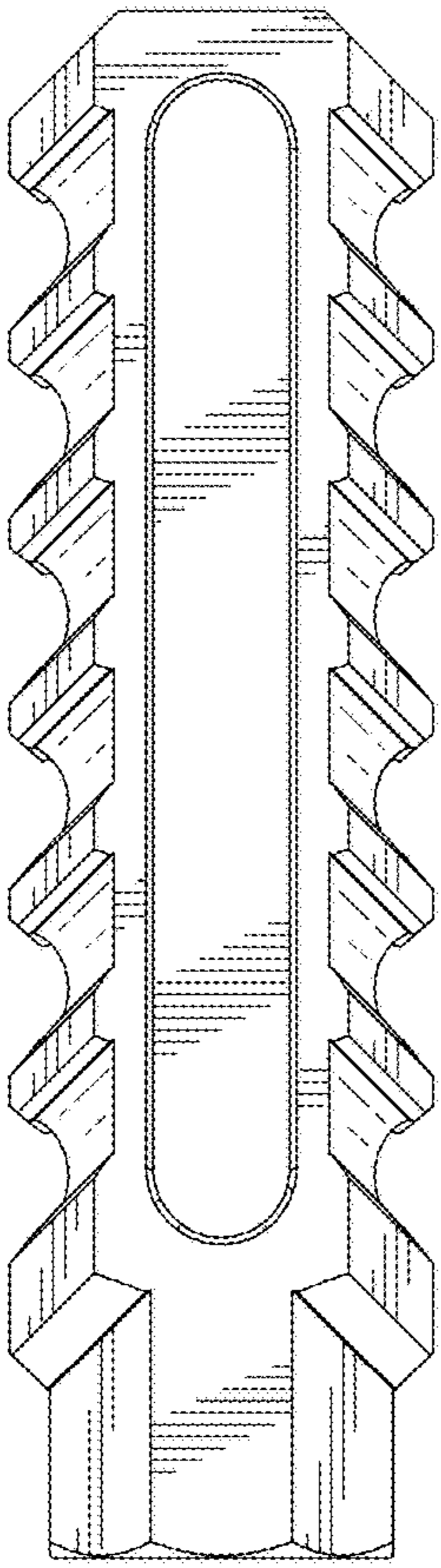


FIG. 1

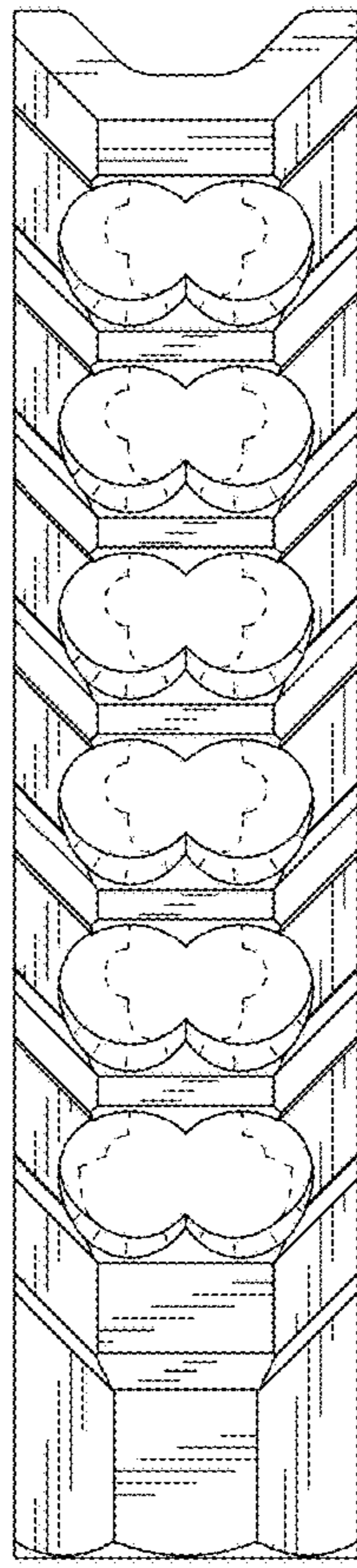


FIG. 2

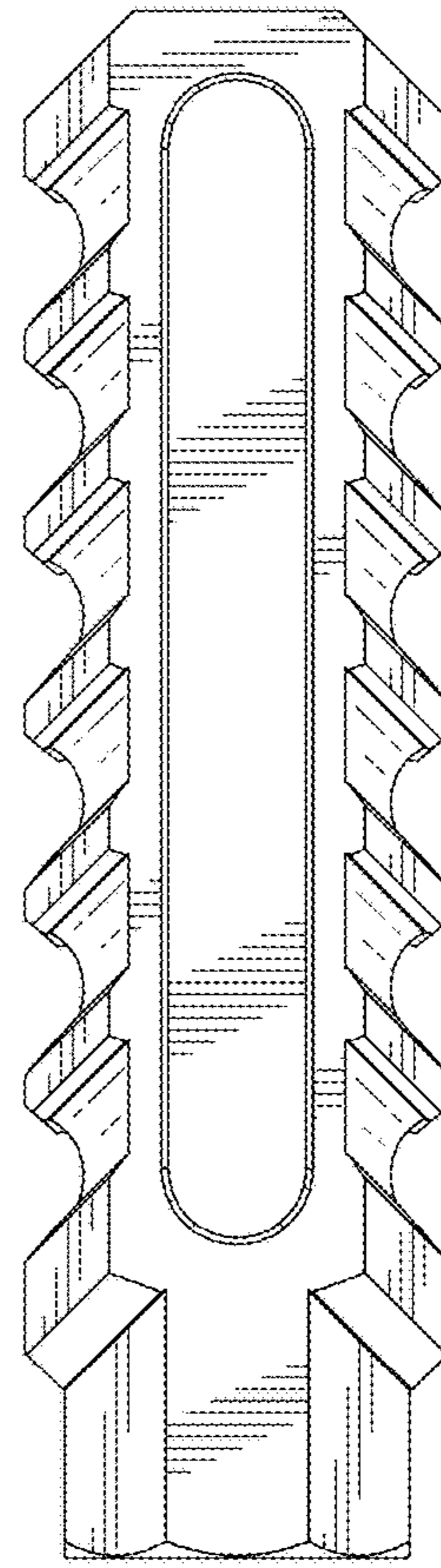


FIG. 3

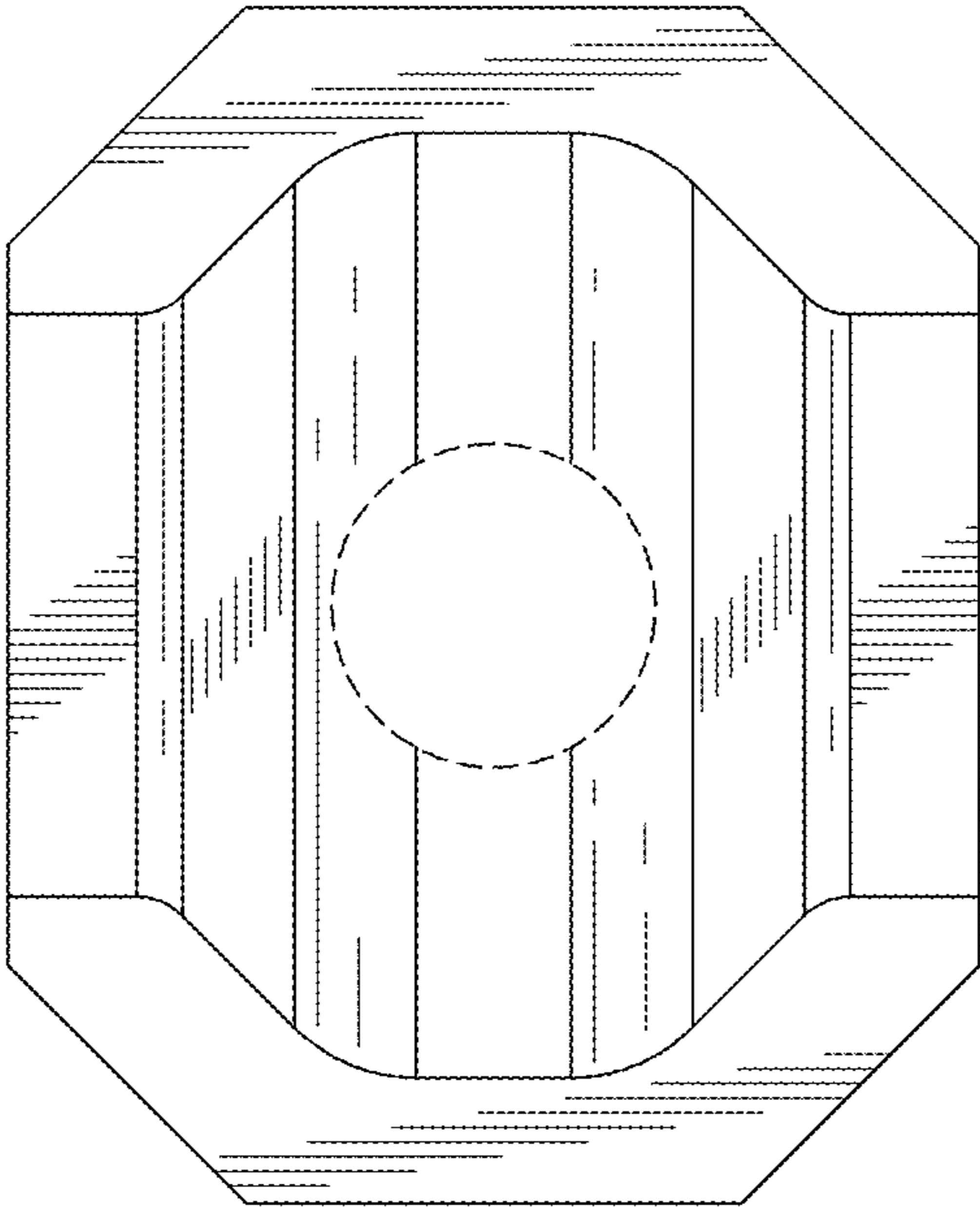


FIG. 5

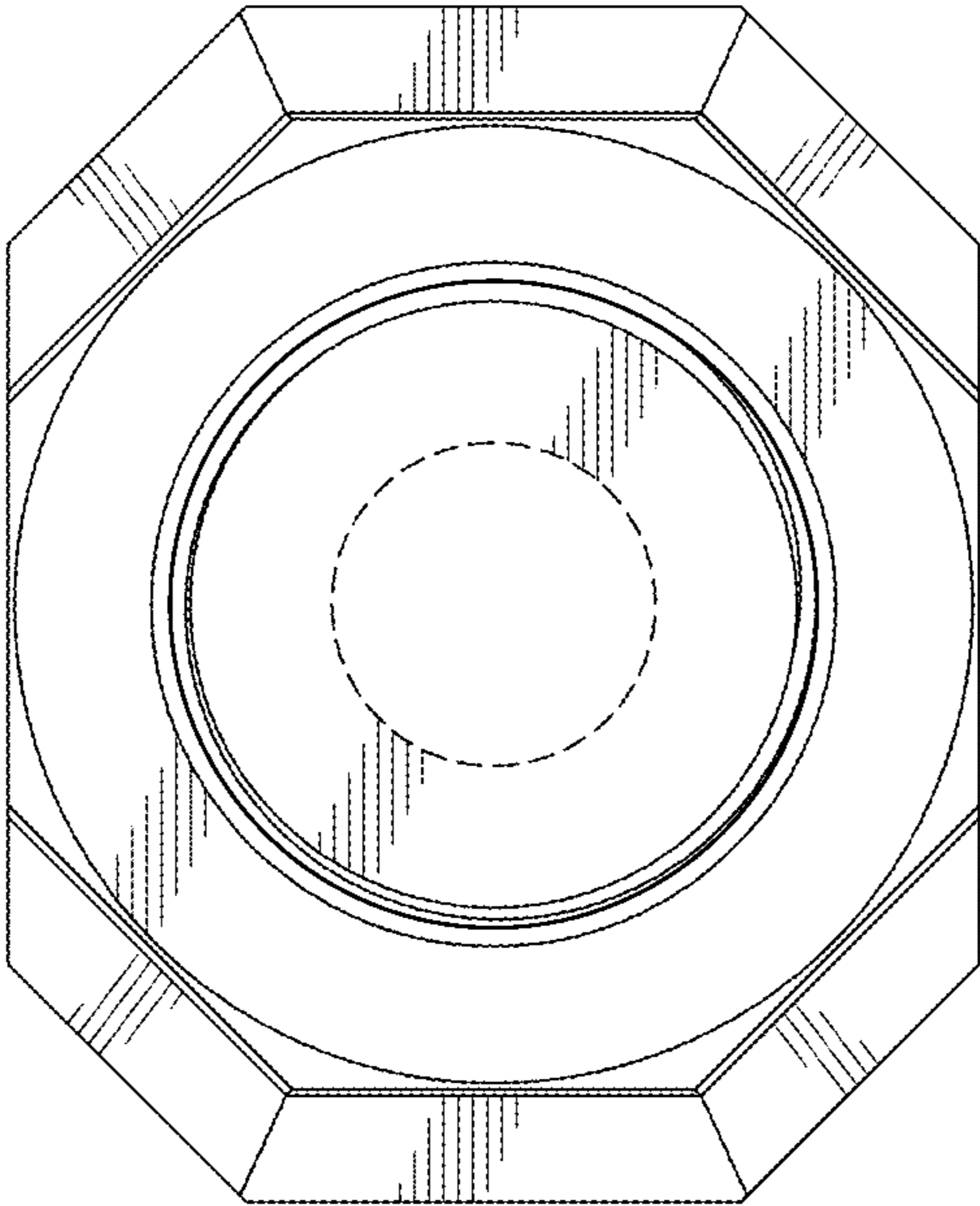


FIG. 4

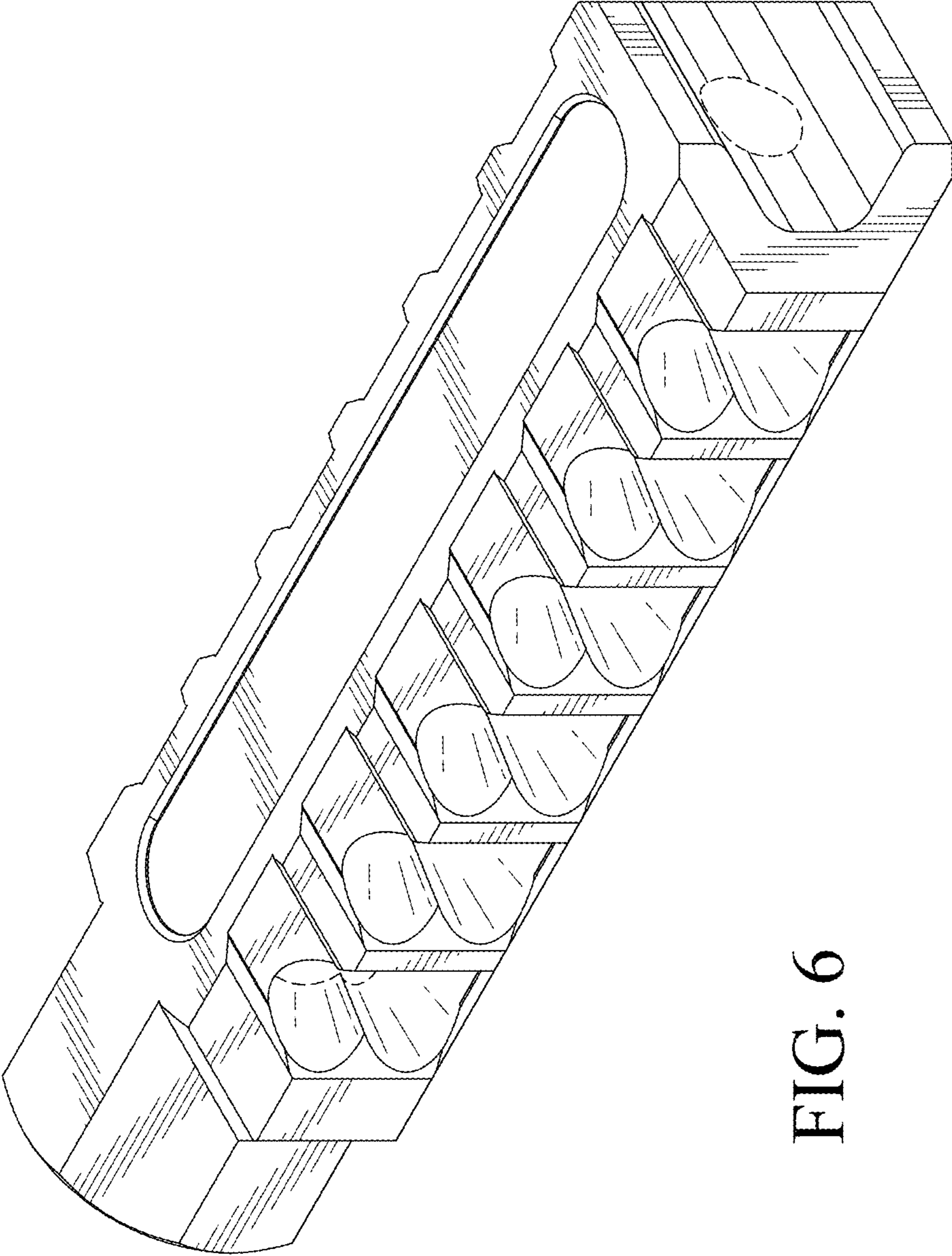


FIG. 6

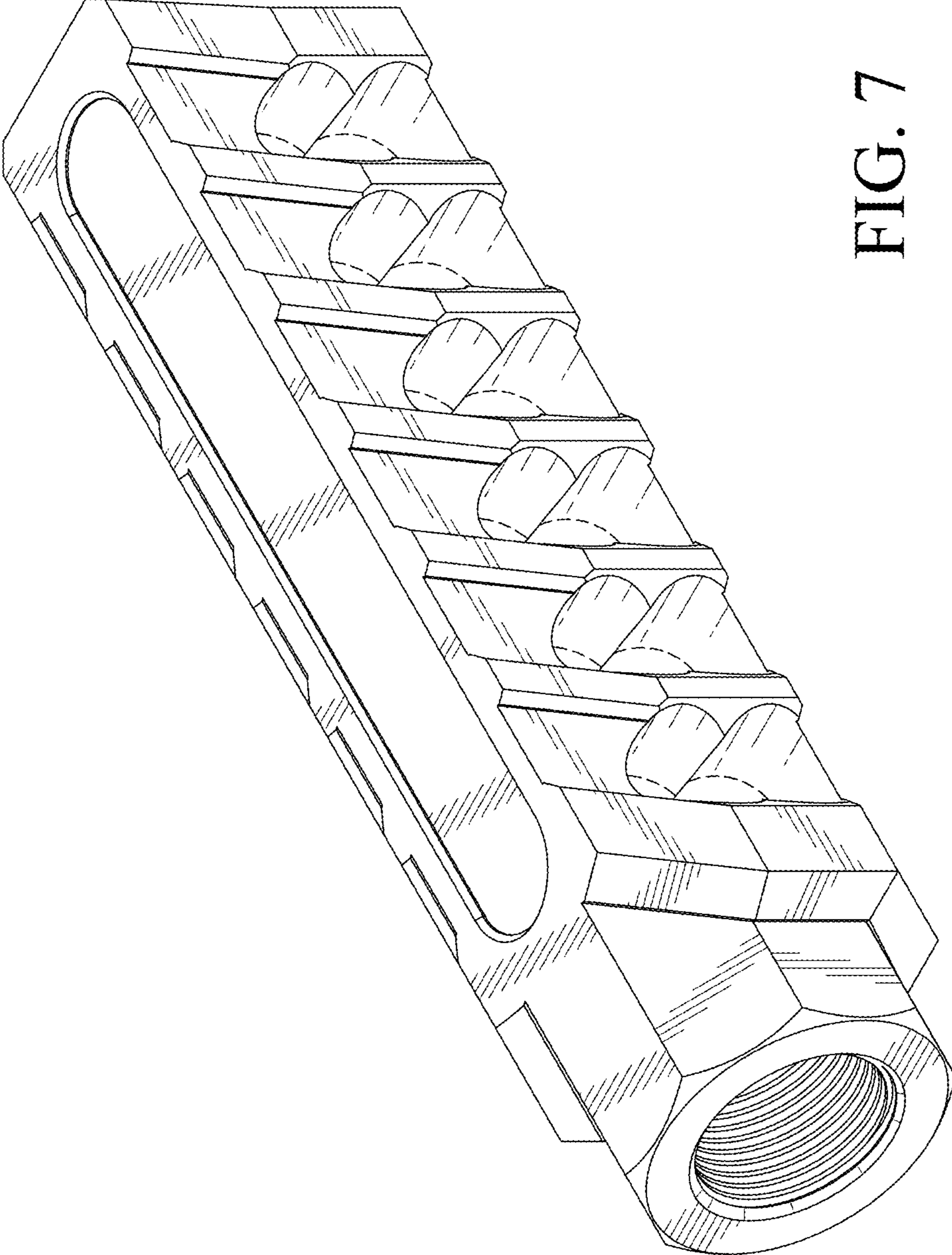


FIG. 7