



US00D807979S

(12) **United States Design Patent**
Rademacher et al.

(10) **Patent No.:** **US D807,979 S**
(45) **Date of Patent:** **** Jan. 16, 2018**

(54) **ELEMENT FOR A FLOATING WATERPARK**

(71) Applicant: **Wibit Sports GmbH**, Bocholt (DE)

(72) Inventors: **Romann Rademacher**, Bocholt (DE);
Robert Cirjak, Bocholt (DE)

(73) Assignee: **WIBIT SPORTS GMBH**, Bocholt
(DE)

(**) Term: **15 Years**

(21) Appl. No.: **29/552,391**

(22) Filed: **Jan. 21, 2016**

(30) **Foreign Application Priority Data**

Jul. 21, 2015 (EM) 0027 40175-0004
Jul. 21, 2015 (EM) 0027 40175-0005

(51) **LOC (11) Cl.** **21-03**

(52) **U.S. Cl.**
USPC **D21/814**

(58) **Field of Classification Search**
USPC D21/698, 801-810, 814, 815, 826, 818,
D21/819, 811, 502, 491; D06/604;
D12/5, 316, 317; D25/126, 127, 132
CPC A63B 31/00; A63B 2225/60; A63B
2225/605; A63B 2225/62; B63B 35/73;
B63B 35/58; B63B 35/7913; B63B 7/00;
B63B 7/04; B63B 7/06; B63B 7/08;
A63H 33/04; A63H 33/062; A63H 33/086
See application file for complete search history.

(56) **References Cited**

U.S. PATENT DOCUMENTS

999,466 A * 8/1911 Richter A63H 33/04
14/77.1
1,179,533 A * 4/1916 Lachman E04H 12/10
52/651.02
D88,513 S * 12/1932 Farnam D25/127
D105,315 S * 7/1937 Lindsay D21/805
3,036,676 A * 5/1962 Potzsch B21F 27/20
52/649.2

3,103,262 A * 9/1963 Handley E04C 3/09
52/650.1
3,170,198 A * 2/1965 Snider E04C 3/14
52/642
4,154,188 A * 5/1979 Flagg B63B 1/047
280/206

(Continued)

FOREIGN PATENT DOCUMENTS

FR 2591555 A1 * 6/1987 B63B 7/08

OTHER PUBLICATIONS

The Architects Newspaper: Alternative Whitney Proposal Designed to Attract Attention, posted Sep. 20, 2010, [online], [site visited on May 10, 2017]. Available from Internet, <URL: https://archpaper.com/2010/09/alternative-whitney-proposal-designed-to-attract-attention/>.*

Primary Examiner — Sheryl Lane
Assistant Examiner — Samantha N Wood
(74) *Attorney, Agent, or Firm* — Arent Fox LLP

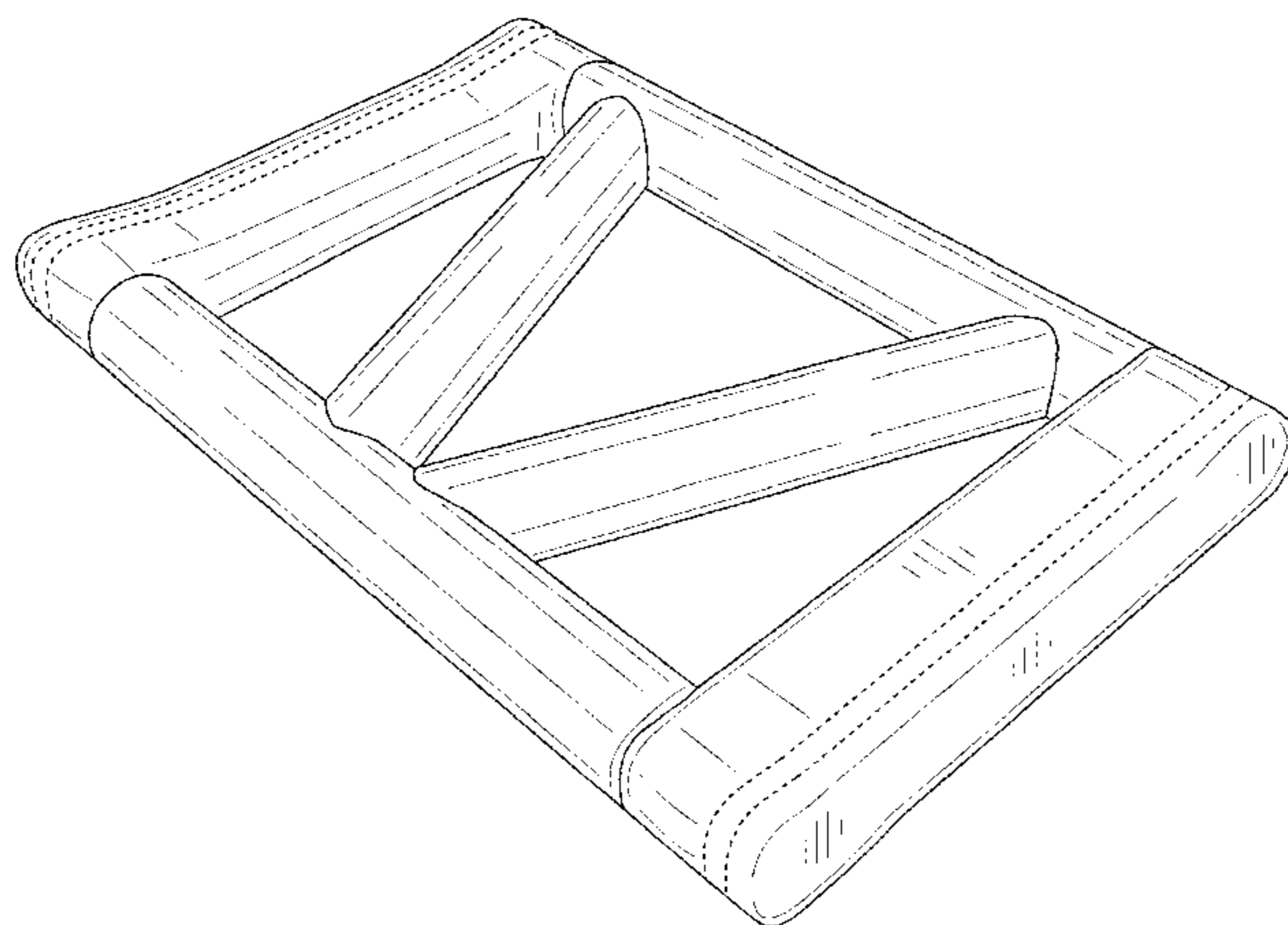
(57) **CLAIM**

The ornamental design for an element for a floating waterpark, as shown and described.

DESCRIPTION

FIG. 1 is perspective view of the element for a floating waterpark showing our new design;
FIG. 2 is a top view of the design shown in FIG. 1;
FIG. 3 is a bottom view of the design shown in FIG. 1;
FIG. 4 is a left side view of the design shown in FIG. 1;
FIG. 5 is a right side view of the design shown in FIG. 1;
FIG. 6 is a front side view of the design shown in FIG. 1;
and,
FIG. 7 is a back side view of the design shown in FIG. 1.
The broken lines in the figures show portions of the element for a floating waterpark that form no part of the claimed design.

1 Claim, 7 Drawing Sheets



(56)

References Cited

U.S. PATENT DOCUMENTS

4,270,303	A *	6/1981	Xanthopoulos	A63H 33/086	
					446/110
D402,042	S *	12/1998	Fisher	D25/132	
D422,035	S *	3/2000	Cyrus	D21/491	
D600,756	S *	9/2009	Fleming	D21/502	
D608,406	S *	1/2010	Cobb, II	D21/835	
D616,506	S *	5/2010	Kossmann	D21/501	
D618,737	S *	6/2010	Andersen	D21/501	
2012/0164899	A1 *	6/2012	Pope	B63B 35/73	
					441/129

* cited by examiner

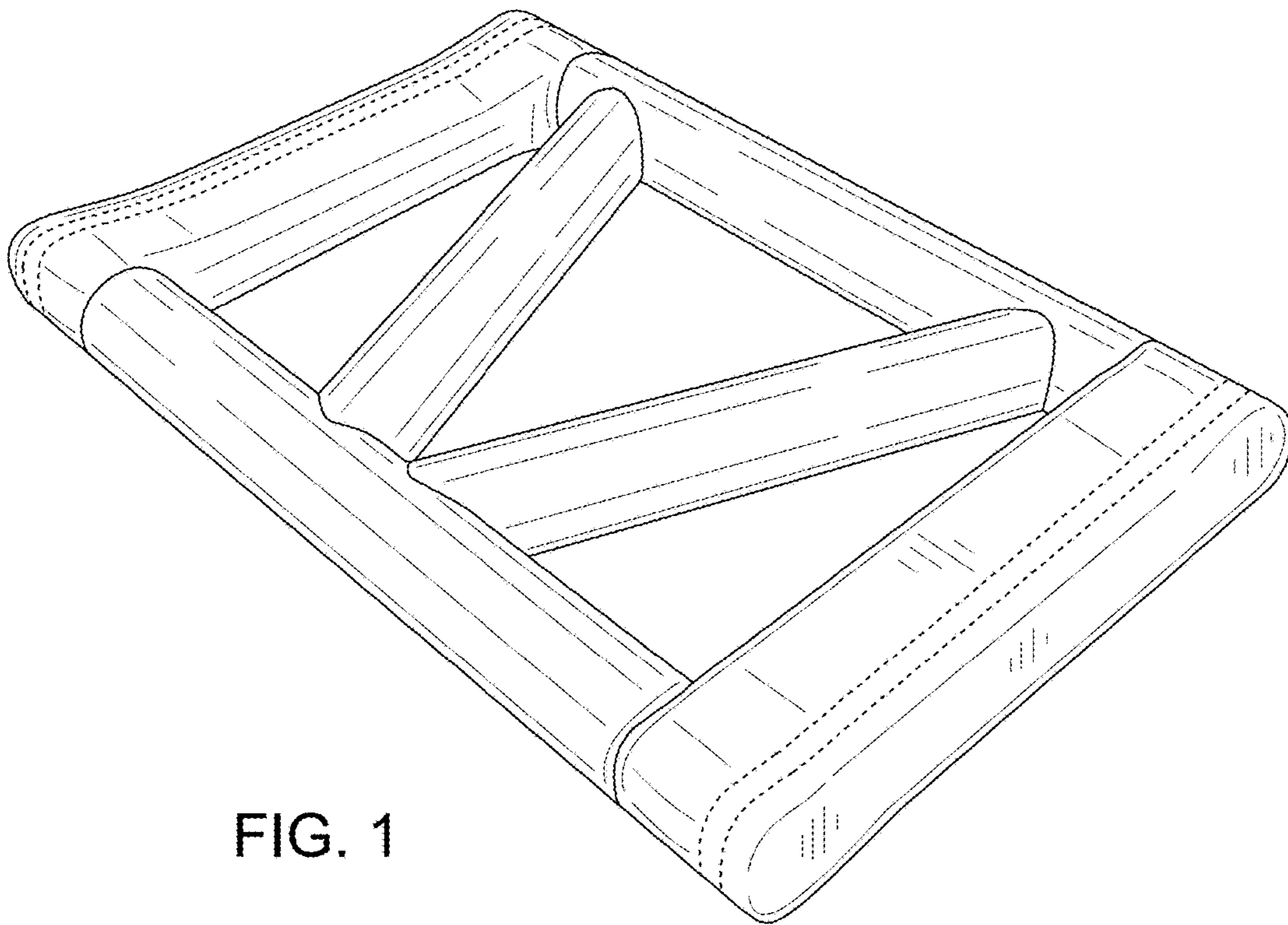


FIG. 1

FIG. 2

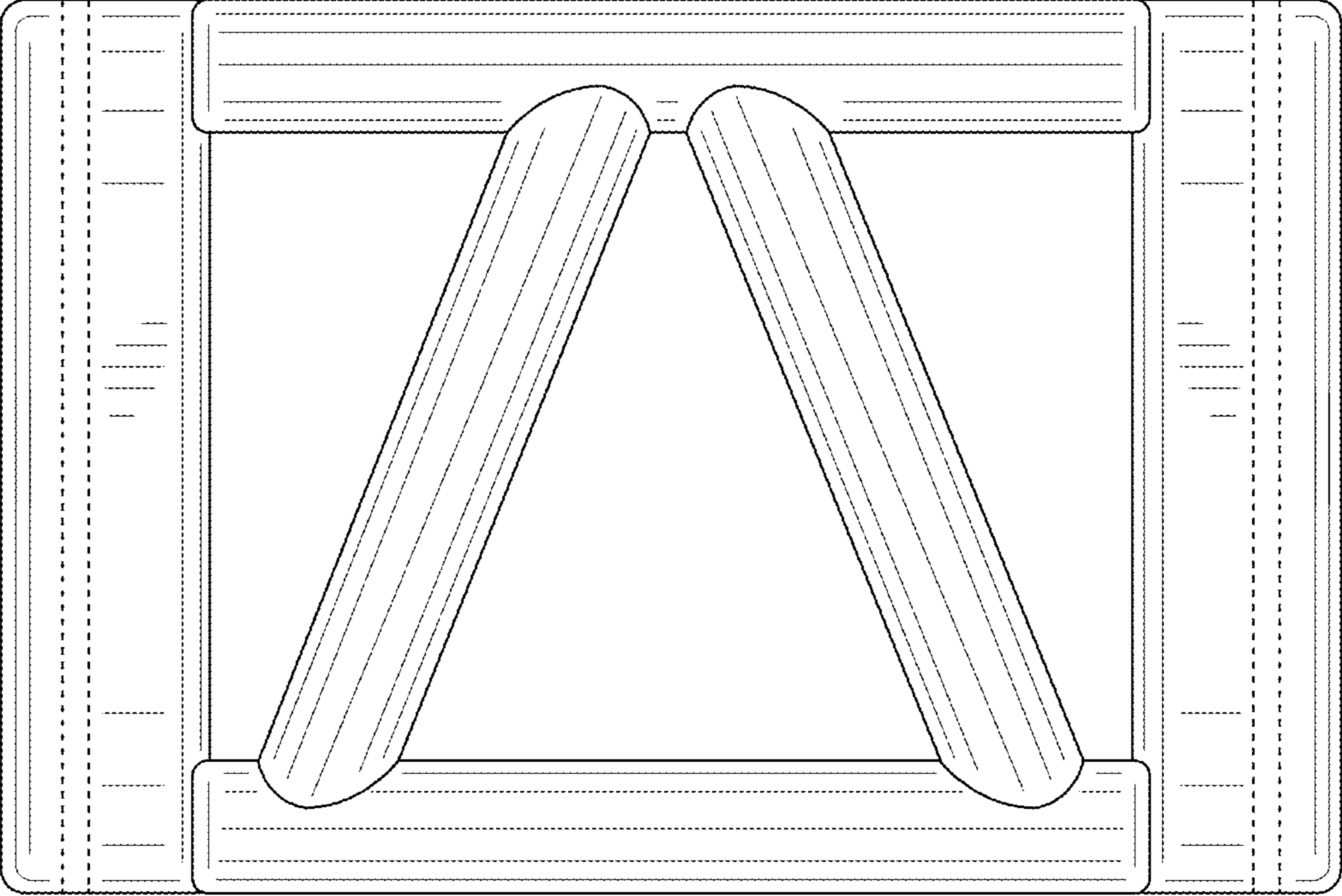


FIG. 3

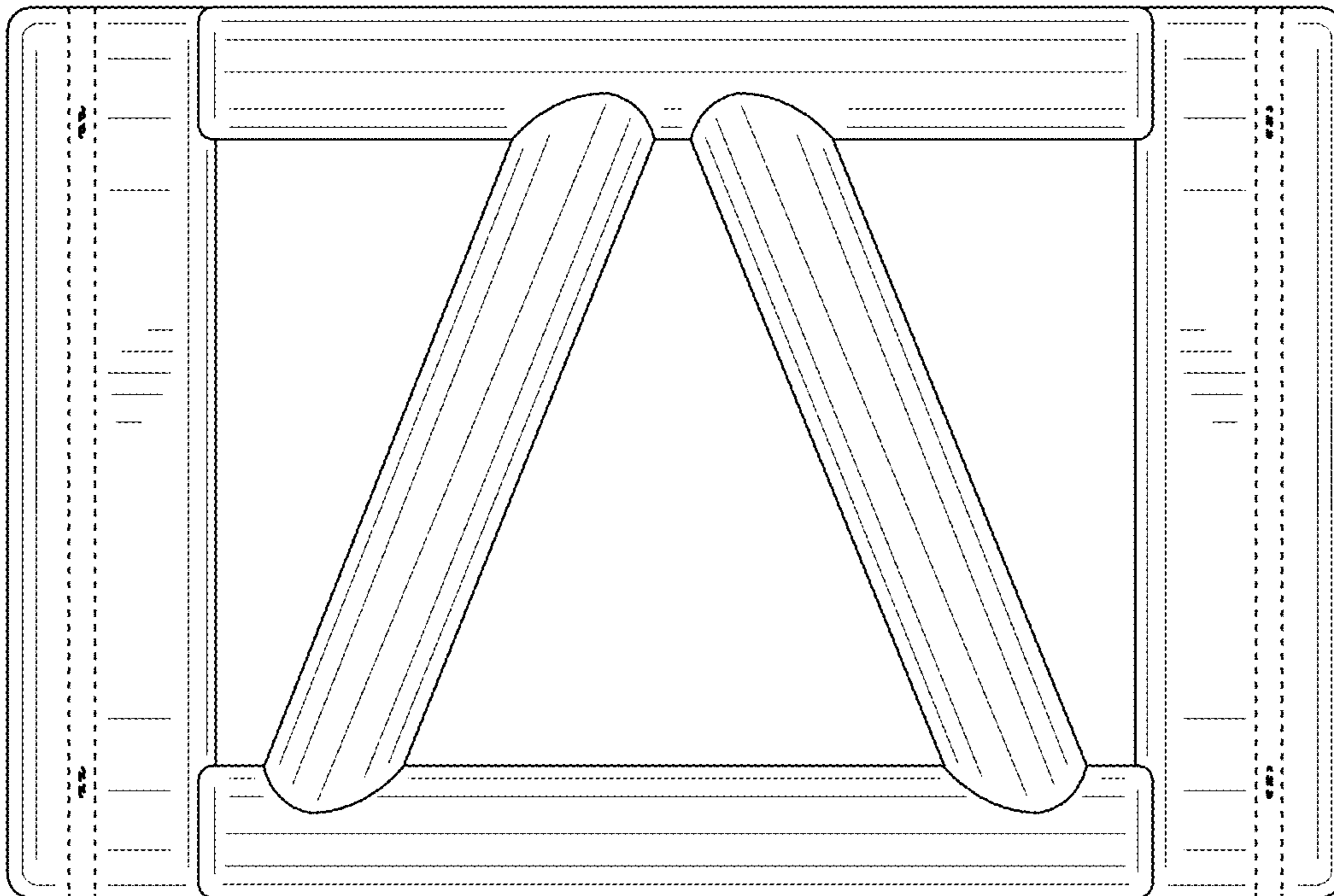


FIG. 4

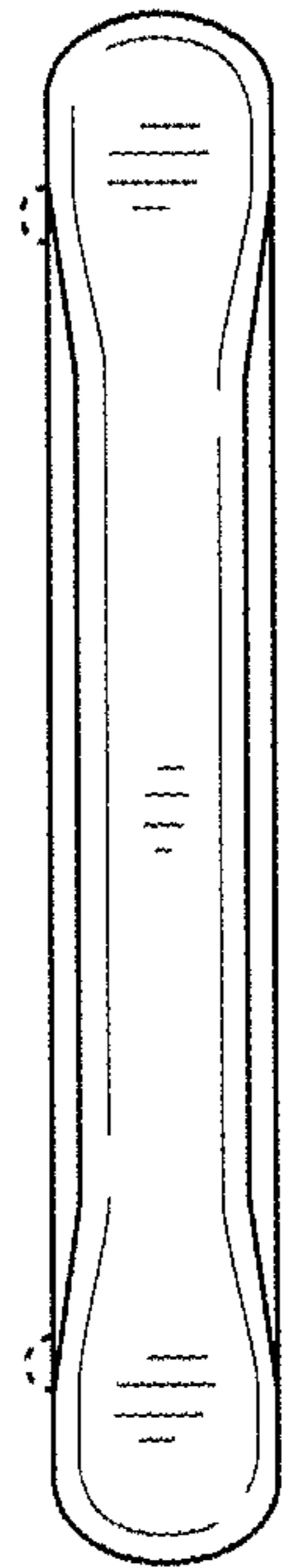


FIG. 5

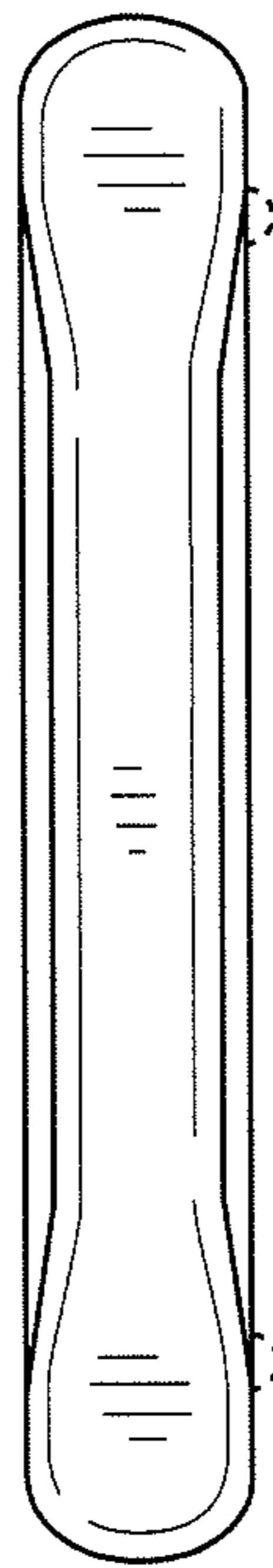


FIG. 6

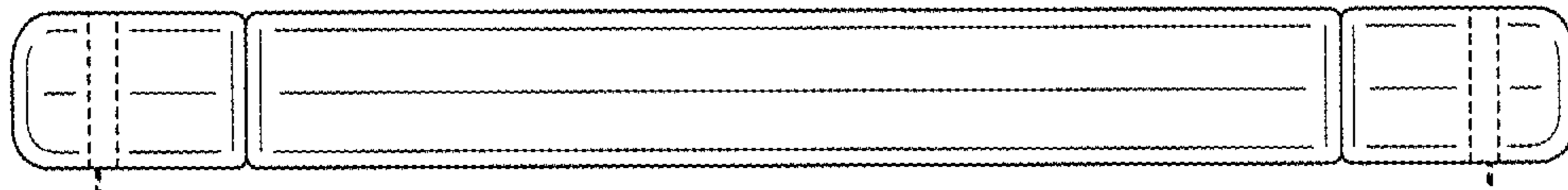


FIG. 7

