



US00D807978S

(12) **United States Design Patent** (10) **Patent No.:** **US D807,978 S**
Keller et al. (45) **Date of Patent:** **** Jan. 16, 2018**

(54) **MULTI-ACTIVITY PLAY STRUCTURE**

(71) Applicant: **Landscape Structures Inc.**, Delano, MN (US)

(72) Inventors: **Thomas L. Keller**, Delano, MN (US); **Tory Roff**, Minneapolis, MN (US)

(73) Assignee: **Landscape Structures Inc.**, Delano, MN (US)

(**) Term: **15 Years**

(21) Appl. No.: **29/549,394**

(22) Filed: **Dec. 22, 2015**

(51) **LOC (11) Cl.** **21-03**

(52) **U.S. Cl.**
USPC **D21/814; D21/826**

(58) **Field of Classification Search**
USPC D21/811, 814-822, 826, 827
CPC A63G 21/00-12/22
See application file for complete search history.

(56) **References Cited**

U.S. PATENT DOCUMENTS

D201,812 S *	8/1965	Bontempi	D21/818
D225,344 S *	12/1972	Hanning	D21/826
D226,935 S *	5/1973	Wormser	D21/818
D286,423 S *	10/1986	Saxman	D21/818
4,679,963 A *	7/1987	Heath	E01C 13/02 405/36
D330,579 S *	10/1992	Briggs	D21/822
D353,867 S *	12/1994	Houry	D21/490
D361,116 S *	8/1995	Shaneour	D21/821
D363,521 S *	10/1995	Gilles	D21/818
D376,405 S *	12/1996	Strawcutter	D21/814
D410,060 S *	5/1999	Zeilinger	D21/818
D455,809 S *	4/2002	Blackwood	D21/826
D477,378 S *	7/2003	Blackwood	D21/814
D513,779 S *	1/2006	Zeilinger	D21/818
D521,099 S *	5/2006	Byrd	D21/827

D524,895 S *	7/2006	VanDeusen	D21/820
D524,897 S *	7/2006	VanDeusen	D21/820
D534,984 S *	1/2007	Nye	D21/818
D536,408 S *	2/2007	Nye	D21/818
D536,410 S *	2/2007	Nye	D21/822
D558,850 S *	1/2008	Banta	D21/818
D594,923 S *	6/2009	Auberger	D21/814
D699,805 S *	2/2014	Green	D21/818

(Continued)

FOREIGN PATENT DOCUMENTS

FR	2865488 A1 *	7/2005	E04B 1/3412
WO	WO-9009814 A1 *	9/1990	A63B 9/00
WO	WO-0062883 A1 *	10/2000	A63B 9/00

Primary Examiner — Sheryl Lane

Assistant Examiner — Samantha N Wood

(74) *Attorney, Agent, or Firm* — Katherine M. Scholz; Kelly, Holt & Christenson, PLLC

(57) **CLAIM**

The ornamental design for the multi-activity play structure, as shown and described.

DESCRIPTION

FIG. 1 is a front perspective view of the multi-activity play structure.

FIG. 2 is a right perspective view of the multi-activity play structure, in accordance with FIG. 1.

FIG. 3 is a back perspective view of the multi-activity play structure, in accordance with FIG. 1.

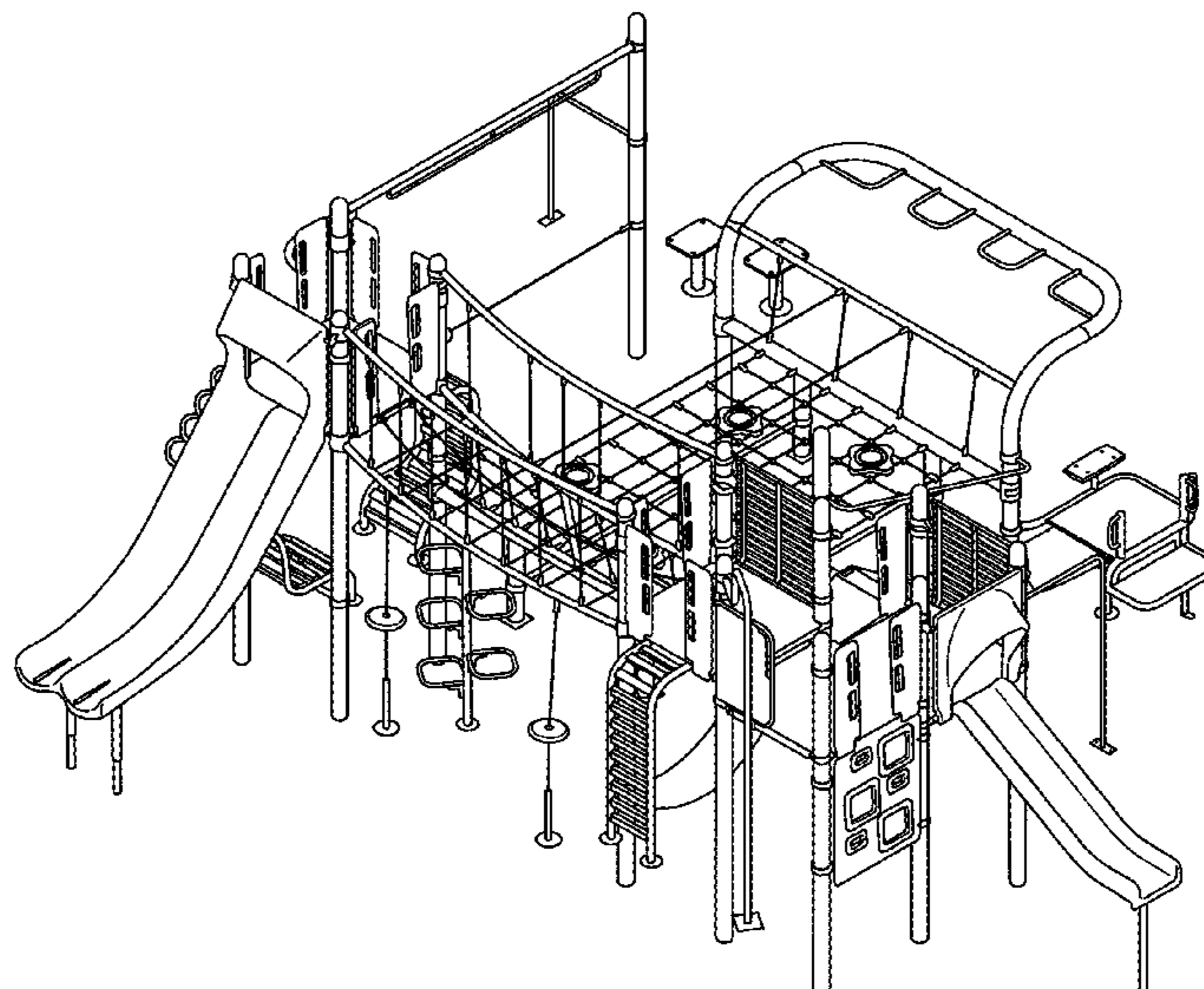
FIG. 4 is a left perspective view of the multi-activity play structure, in accordance with FIG. 1.

FIG. 5 is a top view of the multi-activity play structure, in accordance with FIG. 1.

FIG. 6 is a right view of the multi-activity play structure, in accordance with FIG. 1; and,

FIG. 7 is a left view of the multi-activity play structure, in accordance with FIG. 1.

1 Claim, 6 Drawing Sheets



(56)

References Cited

U.S. PATENT DOCUMENTS

2006/0096188 A1* 5/2006 Byrd A63G 31/00
52/198
2012/0193276 A1* 8/2012 Kim A63G 31/007
210/167.1
2013/0095937 A1* 4/2013 Hsieh A63G 1/12
472/116

* cited by examiner

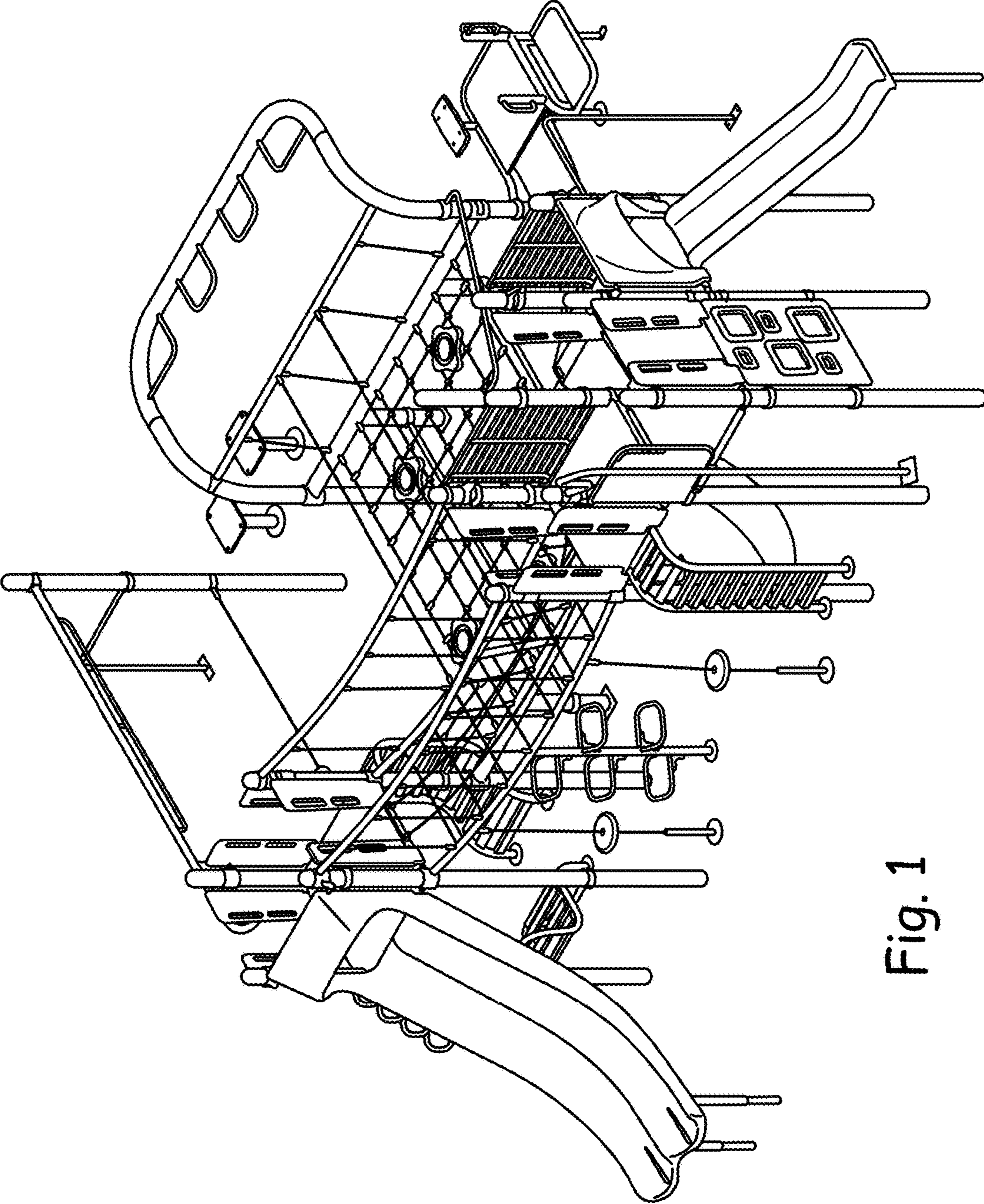


Fig. 1

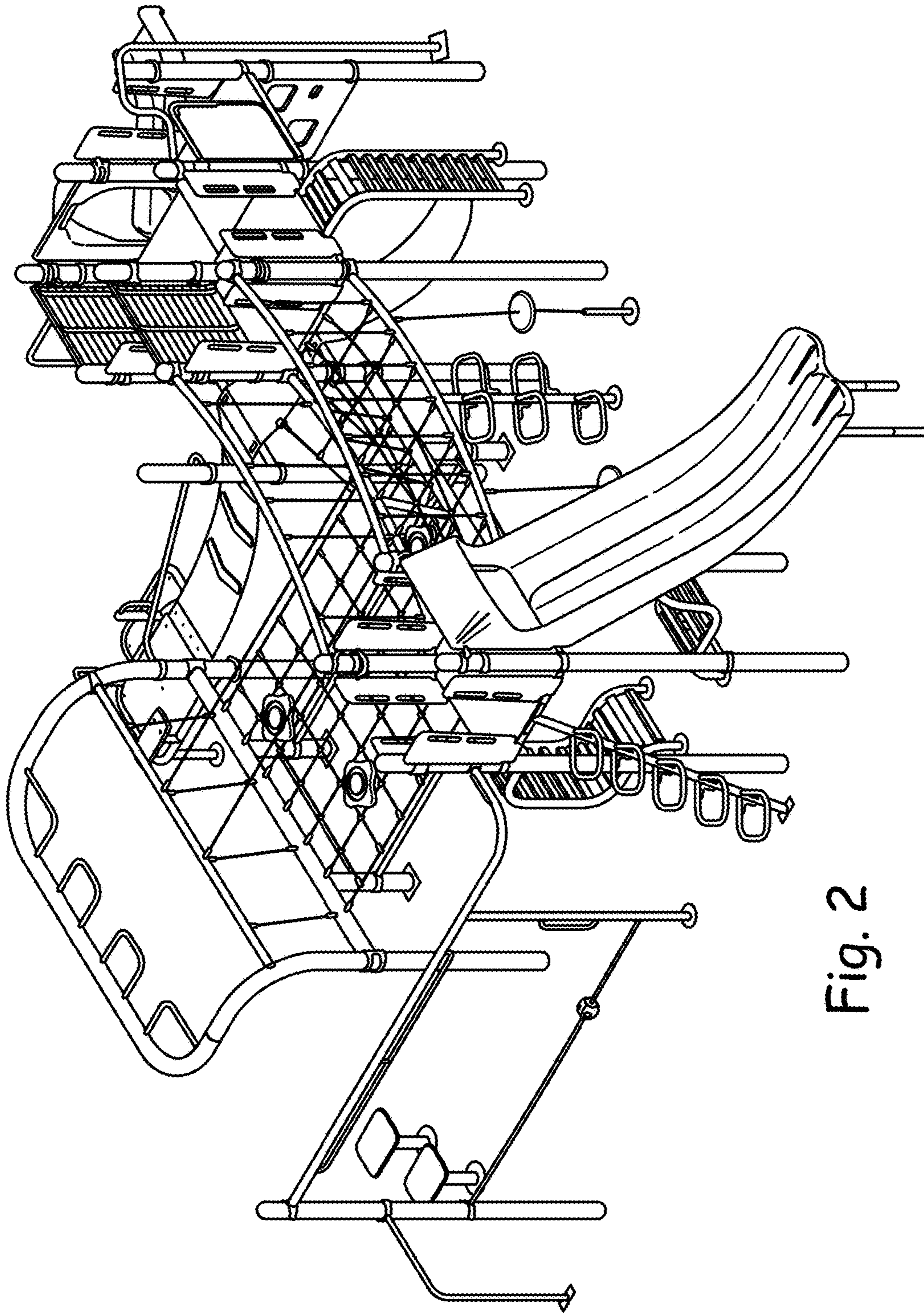


Fig. 2

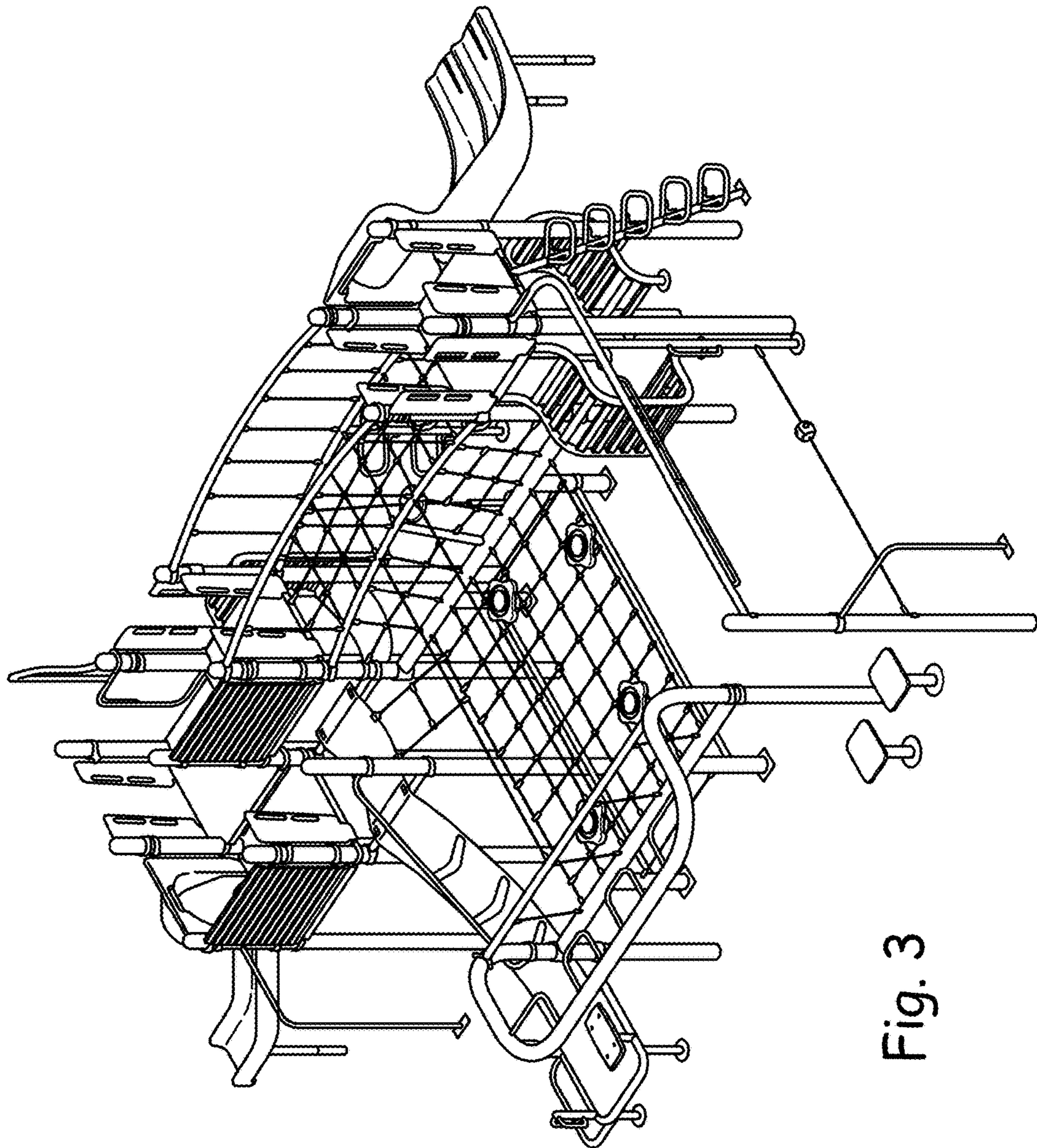


Fig. 3

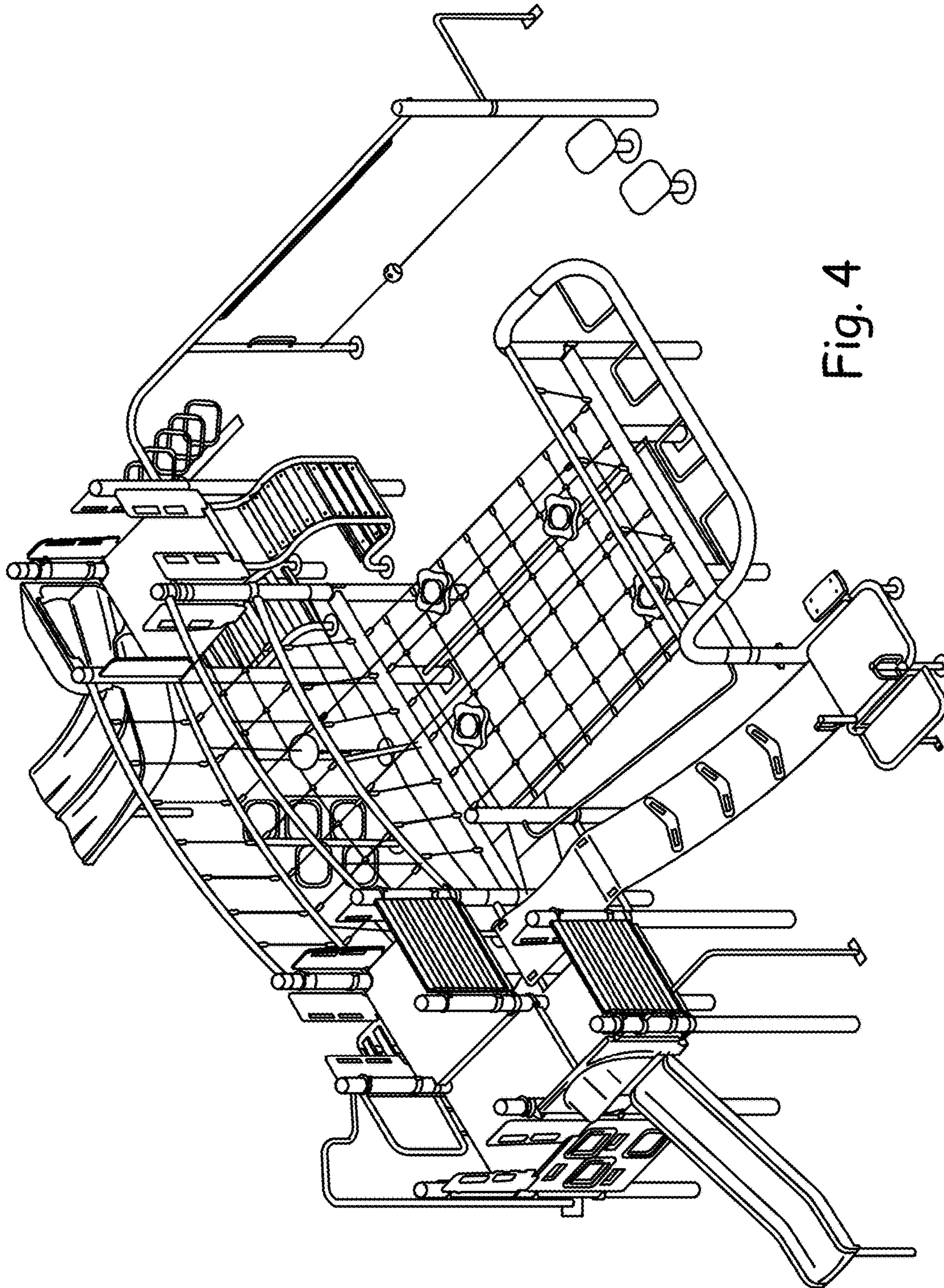


Fig. 4

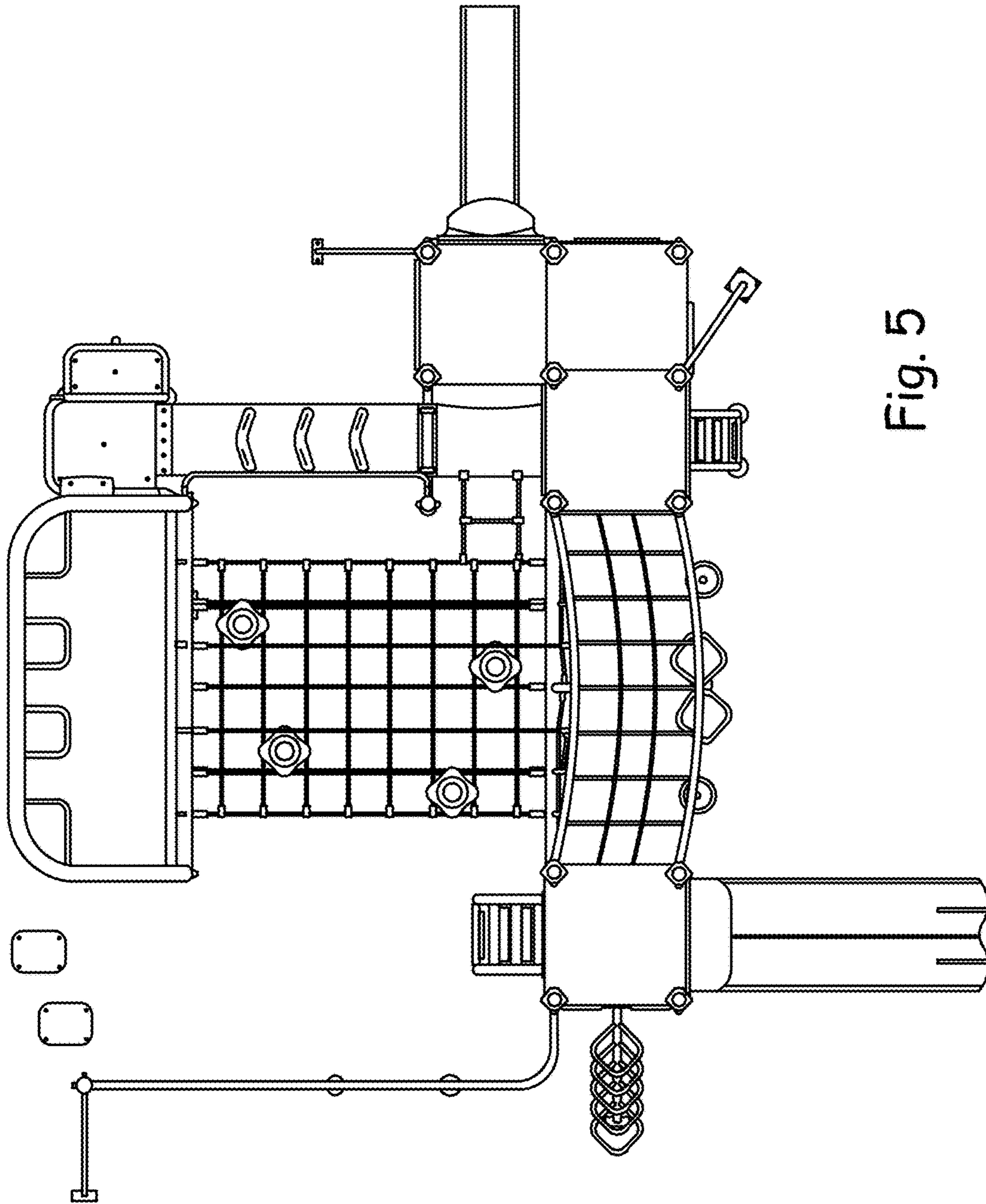


Fig. 5

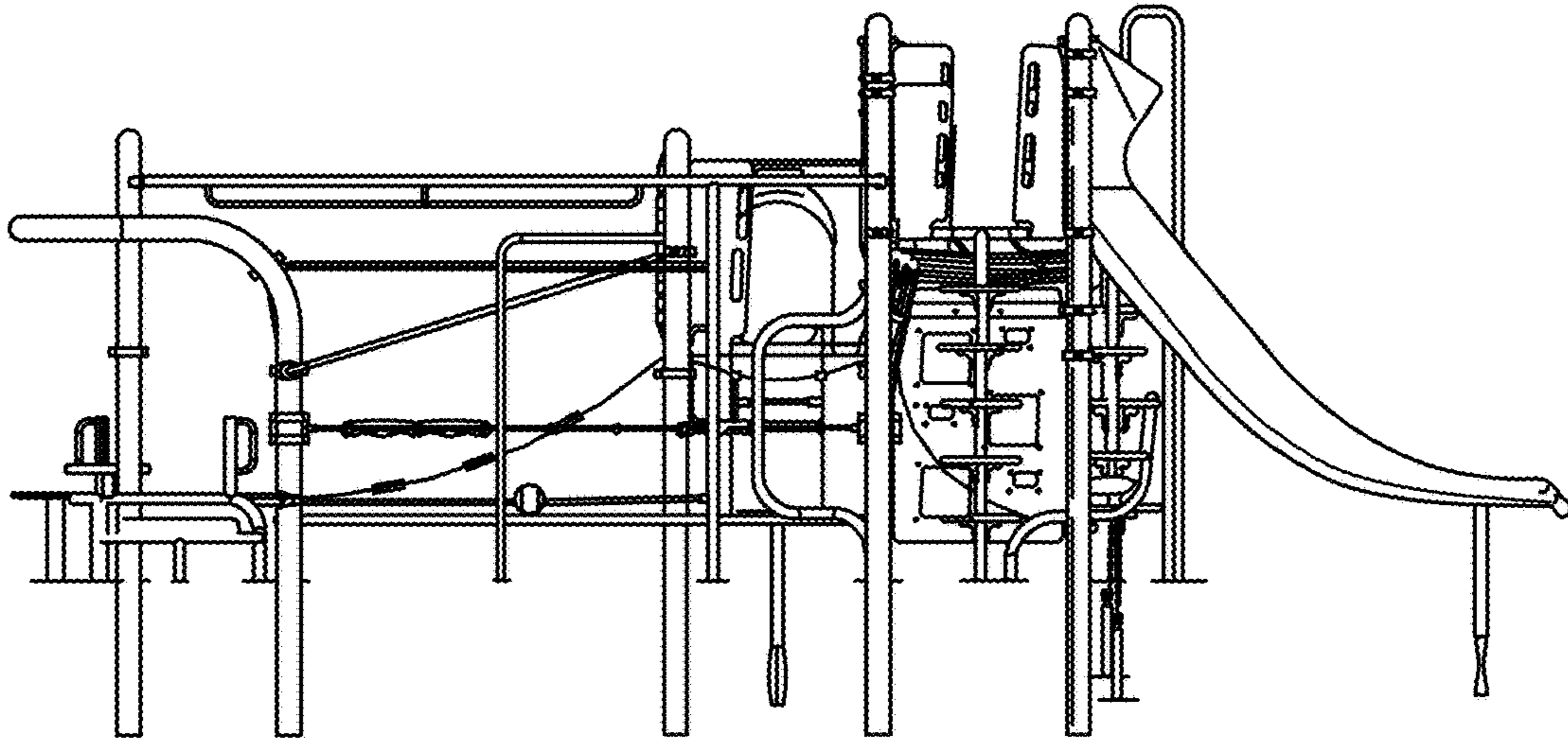


Fig. 6

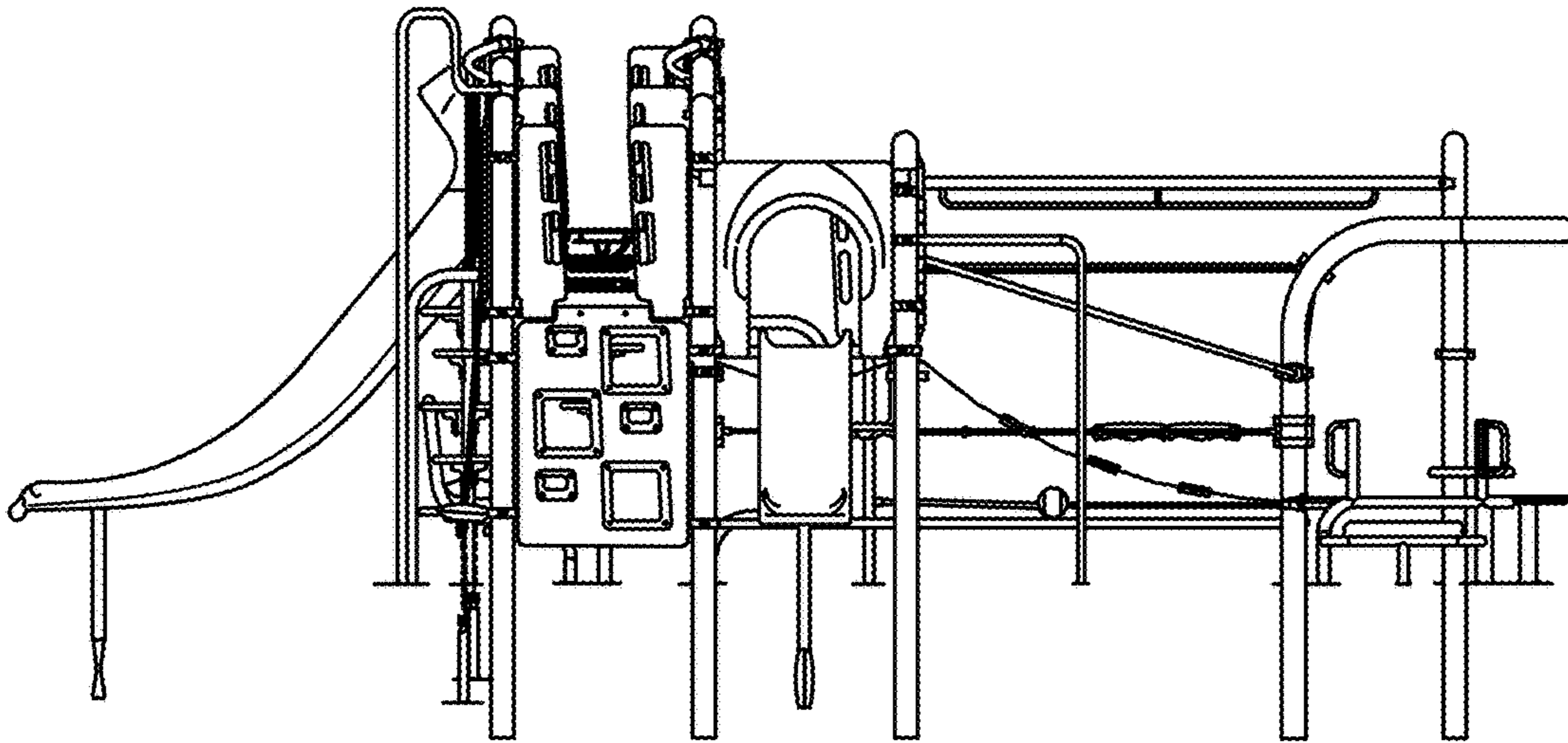


Fig. 7