



US00D807970S

(12) **United States Design Patent**  
**Kitazawa et al.**

(10) **Patent No.:** **US D807,970 S**  
(45) **Date of Patent:** **\*\* Jan. 16, 2018**

(54) **RADIO REMOTE CONTROL UNIT**

(71) Applicant: **Futaba Corporation**, Mobara-shi,  
Chiba (JP)

(72) Inventors: **Hideo Kitazawa**, Mobara (JP);  
**Takahiro Isono**, Mobara (JP); **Makoto Migita**, Tokyo (JP)

(73) Assignee: **Futaba Corporation**, Chiba (JP)

(\*\*) Term: **15 Years**

(21) Appl. No.: **29/582,124**

(22) Filed: **Oct. 25, 2016**

(30) **Foreign Application Priority Data**

Apr. 26, 2016 (JP) ..... 2016-009116

(51) **LOC (11) Cl.** ..... **21-01**

(52) **U.S. Cl.**  
USPC ..... **D21/566**

(58) **Field of Classification Search**  
USPC ..... D13/168; D14/195, 218; D21/515, 561,  
D21/566  
CPC ..... A63F 13/06; A63H 30/04; G08C 17/02;  
G08C 23/04  
See application file for complete search history.

(56) **References Cited**

**U.S. PATENT DOCUMENTS**

D481,080 S *	10/2003	Arai	.....	D21/566
D513,045 S *	12/2005	Yuen	.....	D21/566
D516,137 S *	2/2006	Yuen	.....	D21/566
7,202,806 B2 *	4/2007	Mukaida	.....	A63H 30/04 340/12.5
D573,666 S *	7/2008	Idiot	.....	D21/566
D594,514 S *	6/2009	Noguchi	.....	D21/566

D654,543 S	2/2012	Kono et al.	
D658,238 S *	4/2012	Kitazawa	..... D21/566
D782,582 S *	3/2017	Dunford	..... D21/566
D782,962 S *	4/2017	Dunford	..... D21/566
2005/0168373 A1 *	8/2005	Mukaida	..... A63H 30/04 341/176
2006/0229034 A1 *	10/2006	Gizis	..... A63H 30/04 455/95
2015/0091697 A1 *	4/2015	Takayasu	..... G08C 17/02 340/5.64
2015/0202540 A1 *	7/2015	Erhart	..... A63H 30/04 340/12.5
2015/0360136 A1 *	12/2015	Choi	..... A63H 30/04 74/491

\* cited by examiner

*Primary Examiner* — Selina Sikder

(74) *Attorney, Agent, or Firm* — Quarles & Brady LLP

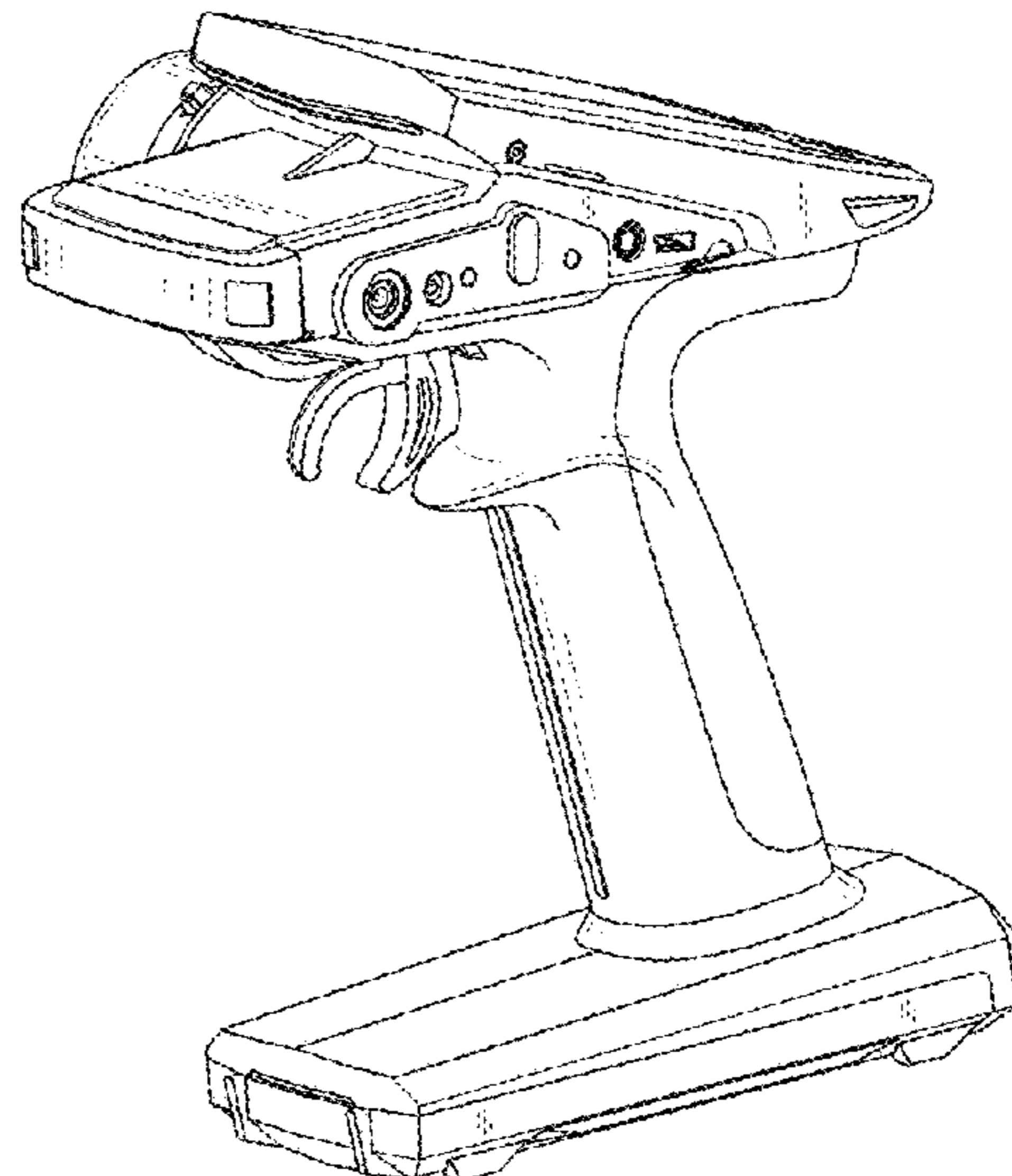
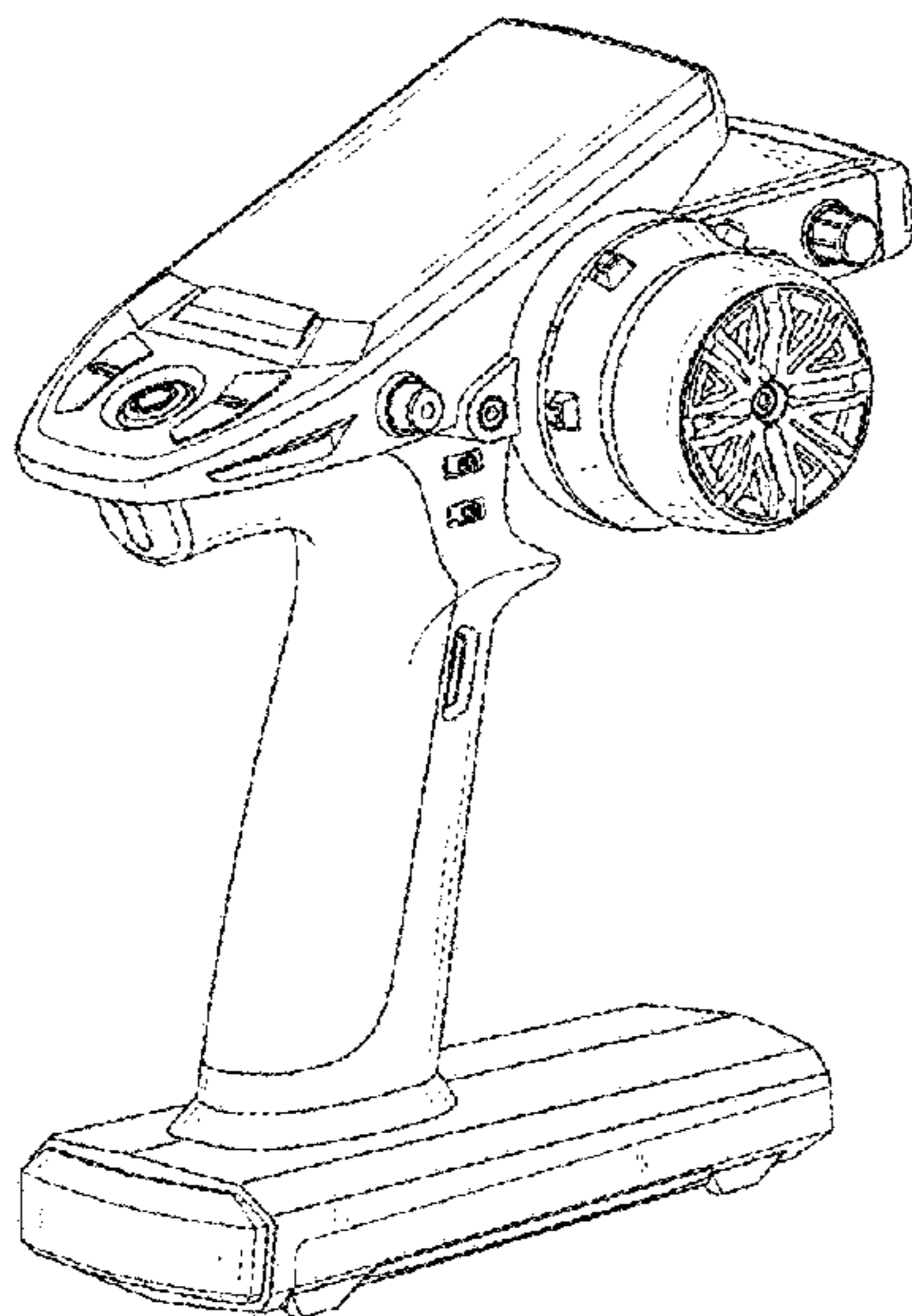
(57) **CLAIM**

We claim the ornament design of a radio remote control unit, as shown and described.

**DESCRIPTION**

FIG. 1 is a front view;  
FIG. 2 is a rear view;  
FIG. 3 is a plan view;  
FIG. 4 is a bottom view;  
FIG. 5 is a right-side view;  
FIG. 6 is a left-side view;  
FIG. 7 is a perspective view when viewed front and left-side top;  
FIG. 8 is a perspective view when viewed back and right-side top;  
FIG. 9 is a perspective view when viewed front and right-side top; and,  
FIG. 10 is a perspective view of a standing condition of the antenna.

**1 Claim, 10 Drawing Sheets**



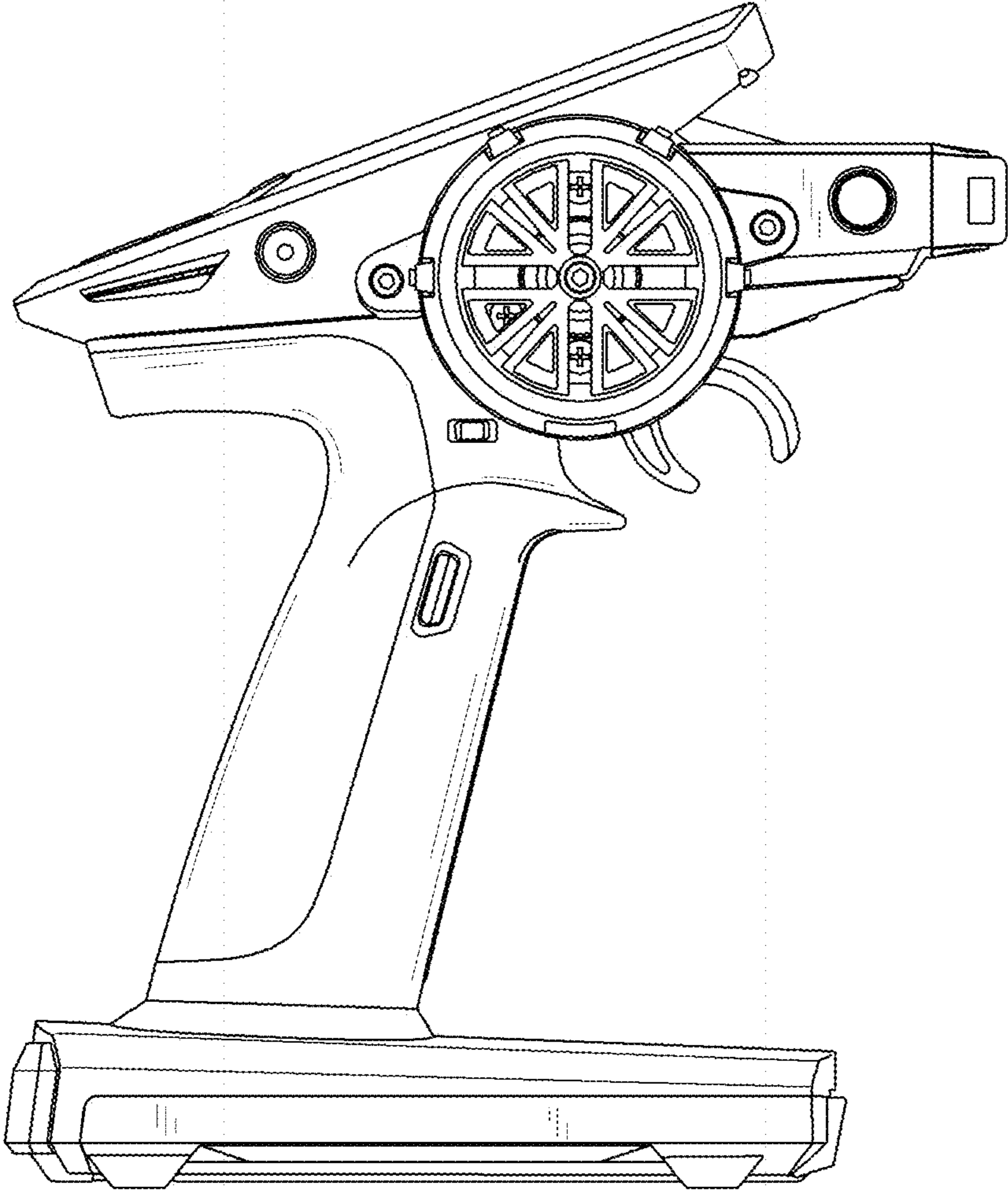


FIG. 1

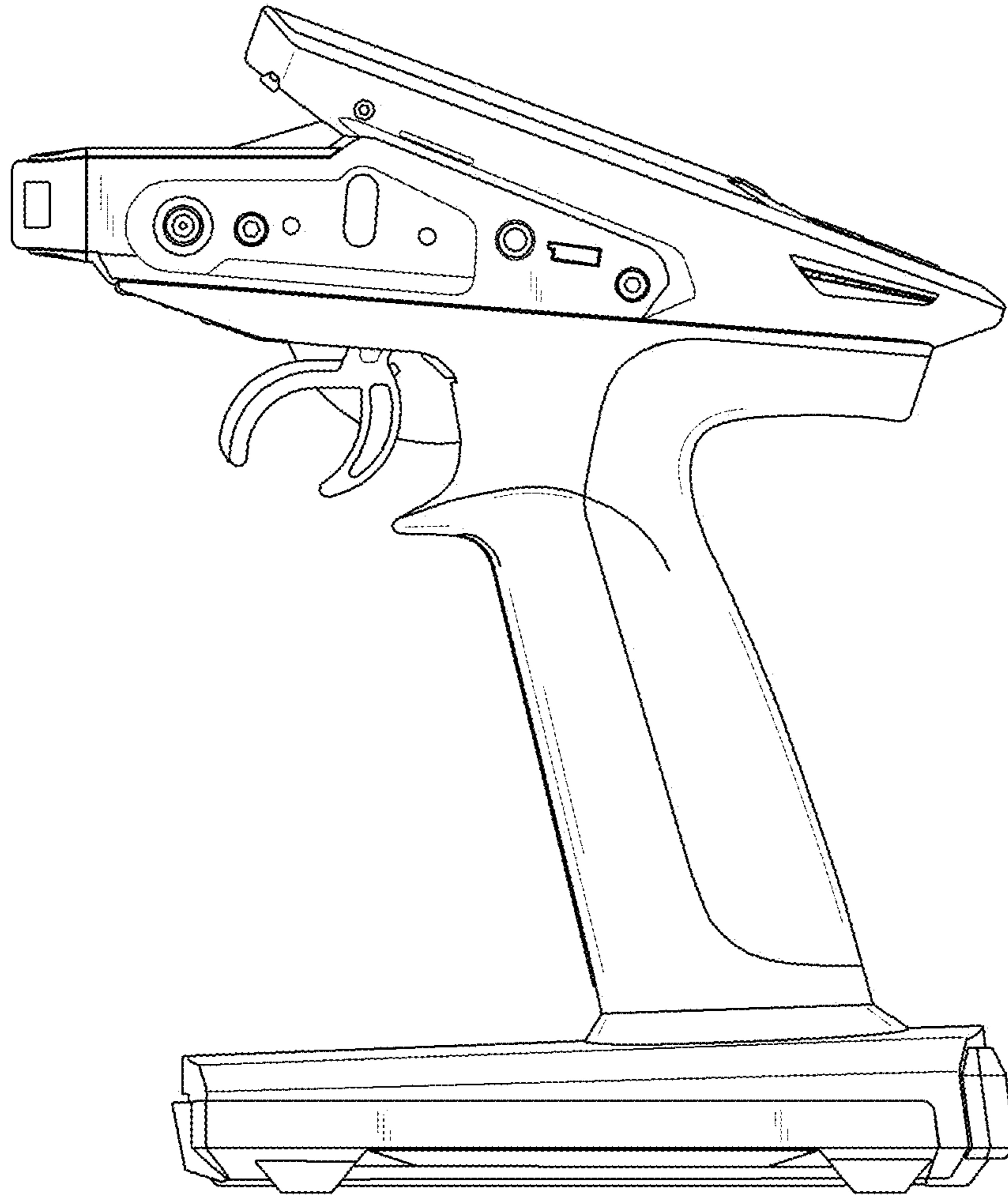


FIG. 2

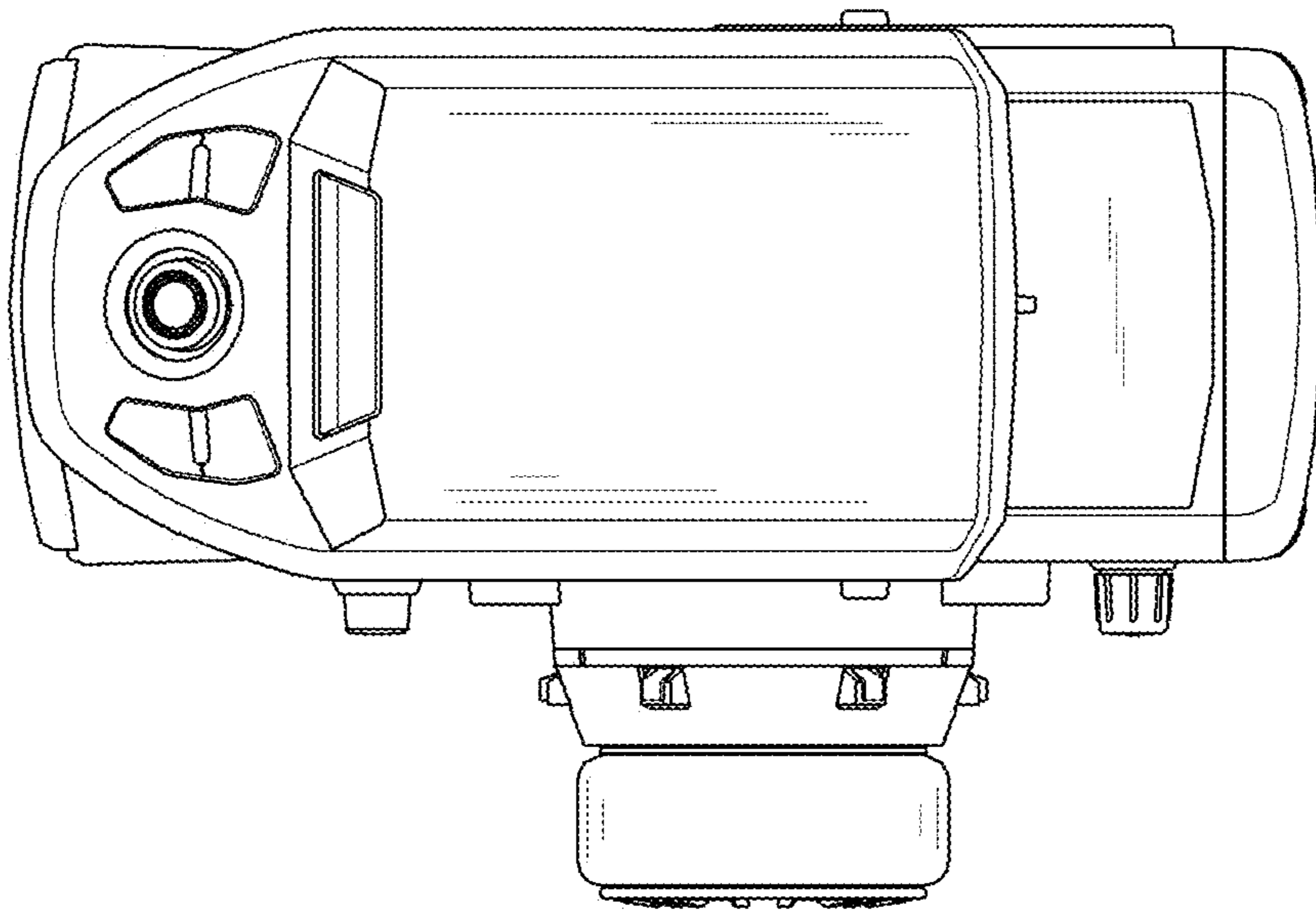


FIG. 3

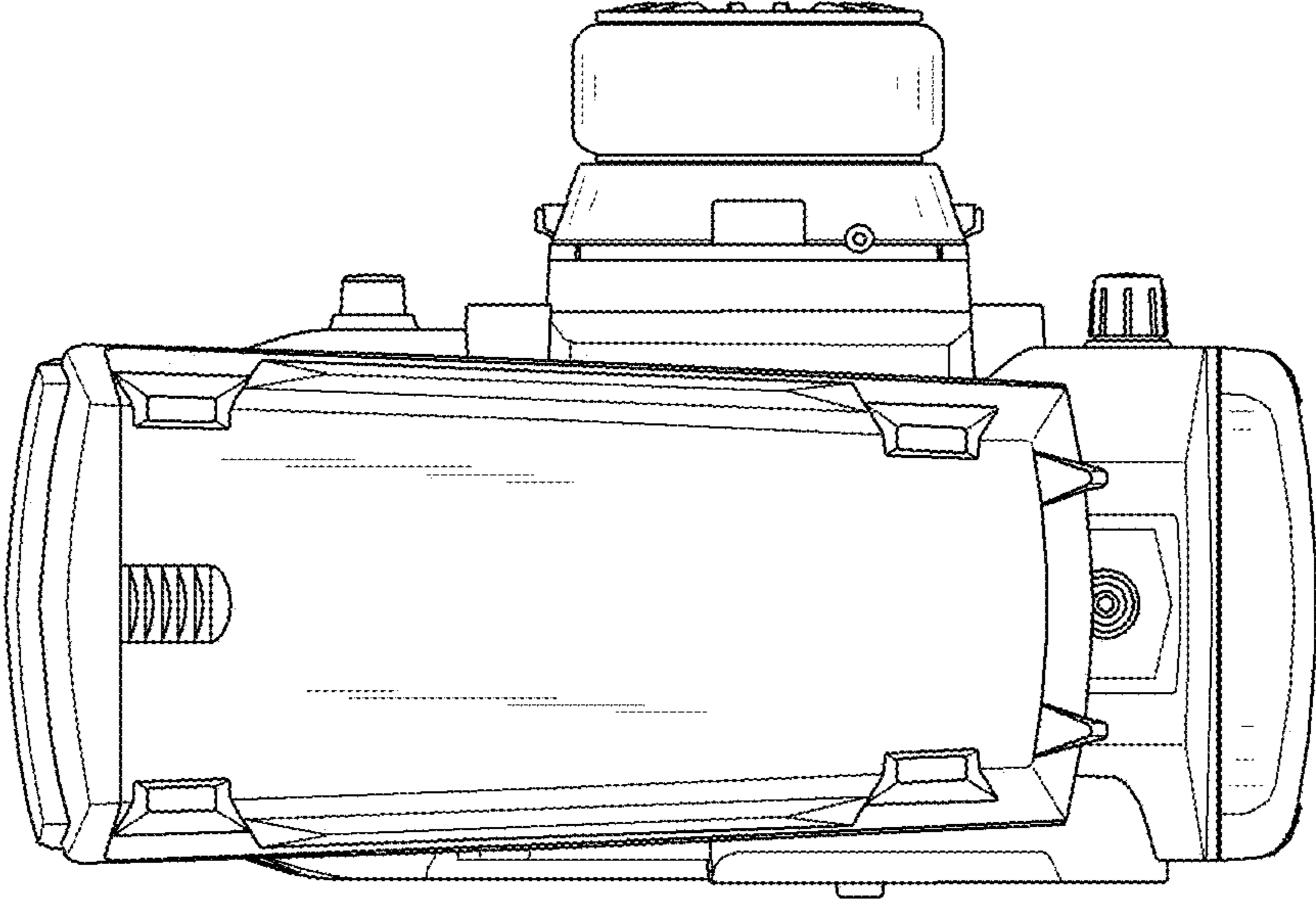


FIG. 4

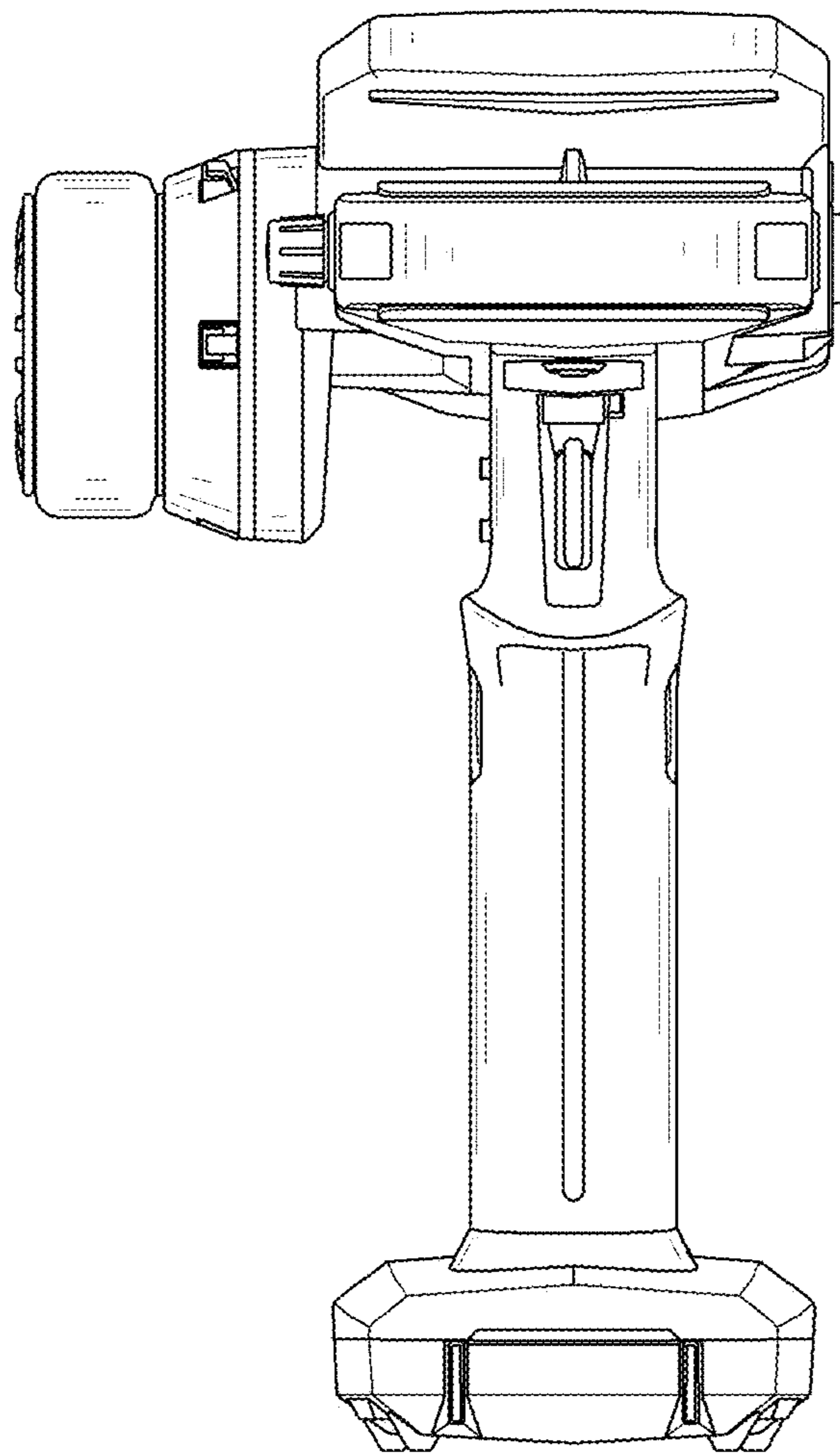


FIG. 5

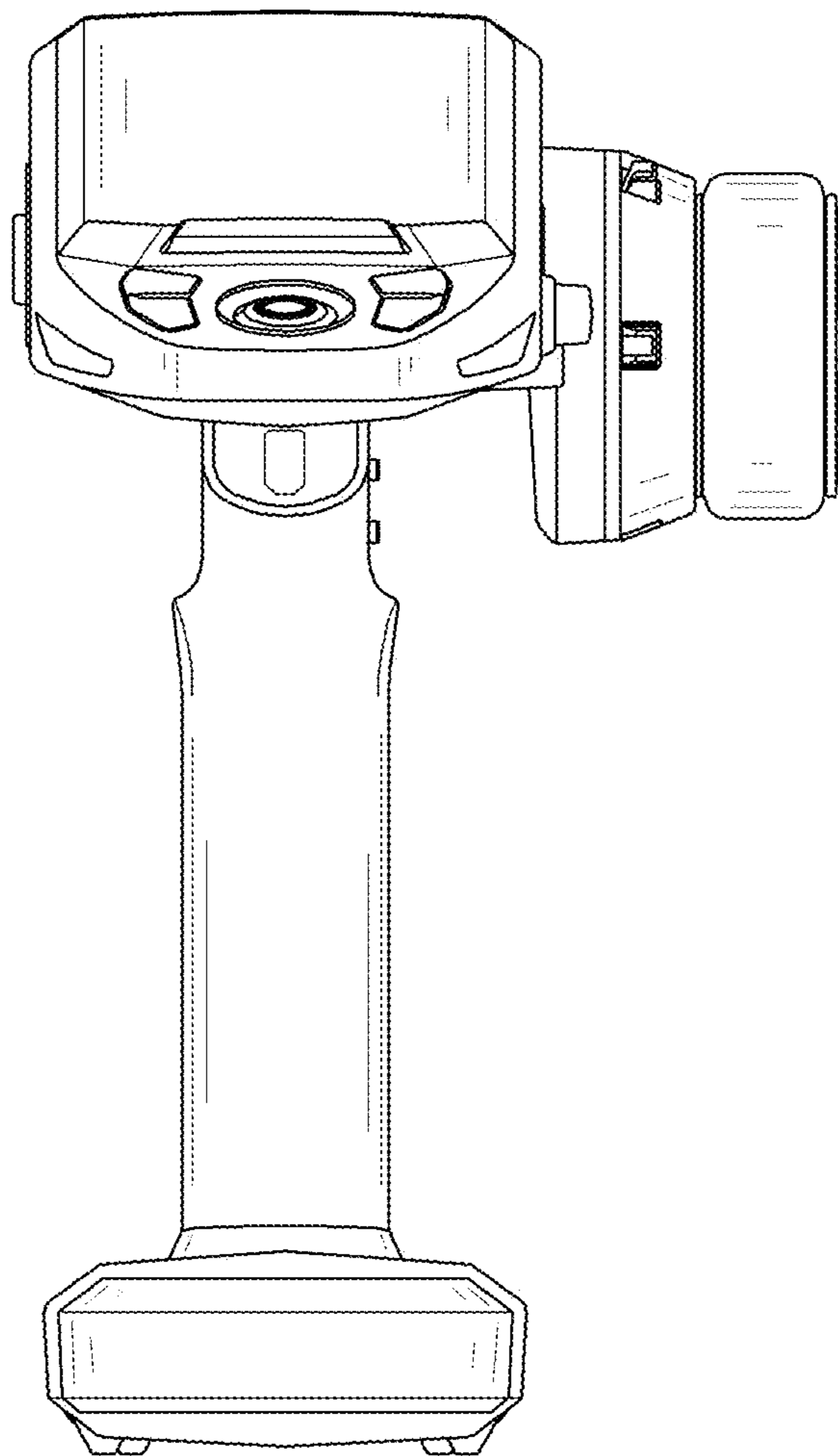


FIG. 6

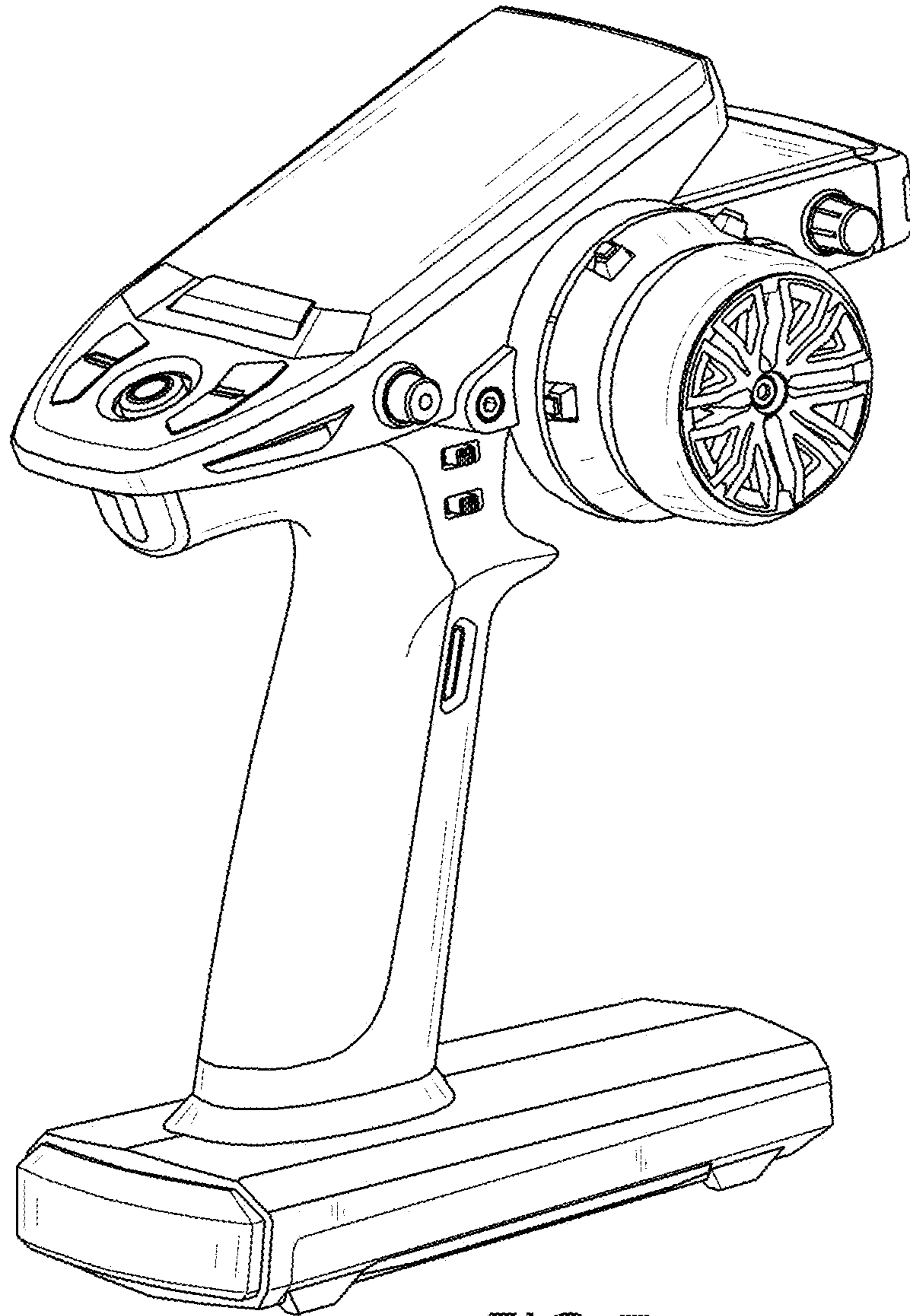


FIG. 7



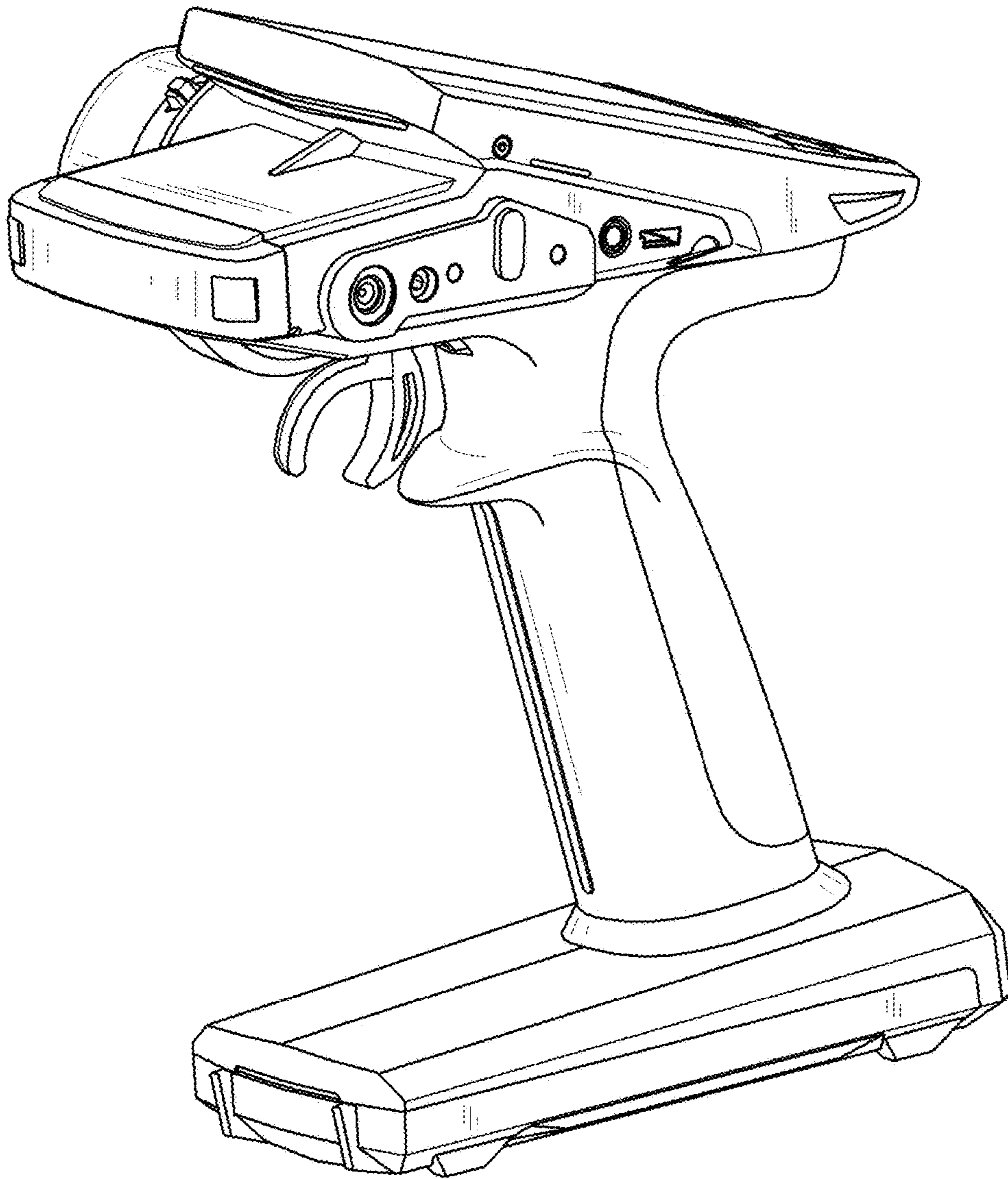


FIG. 8

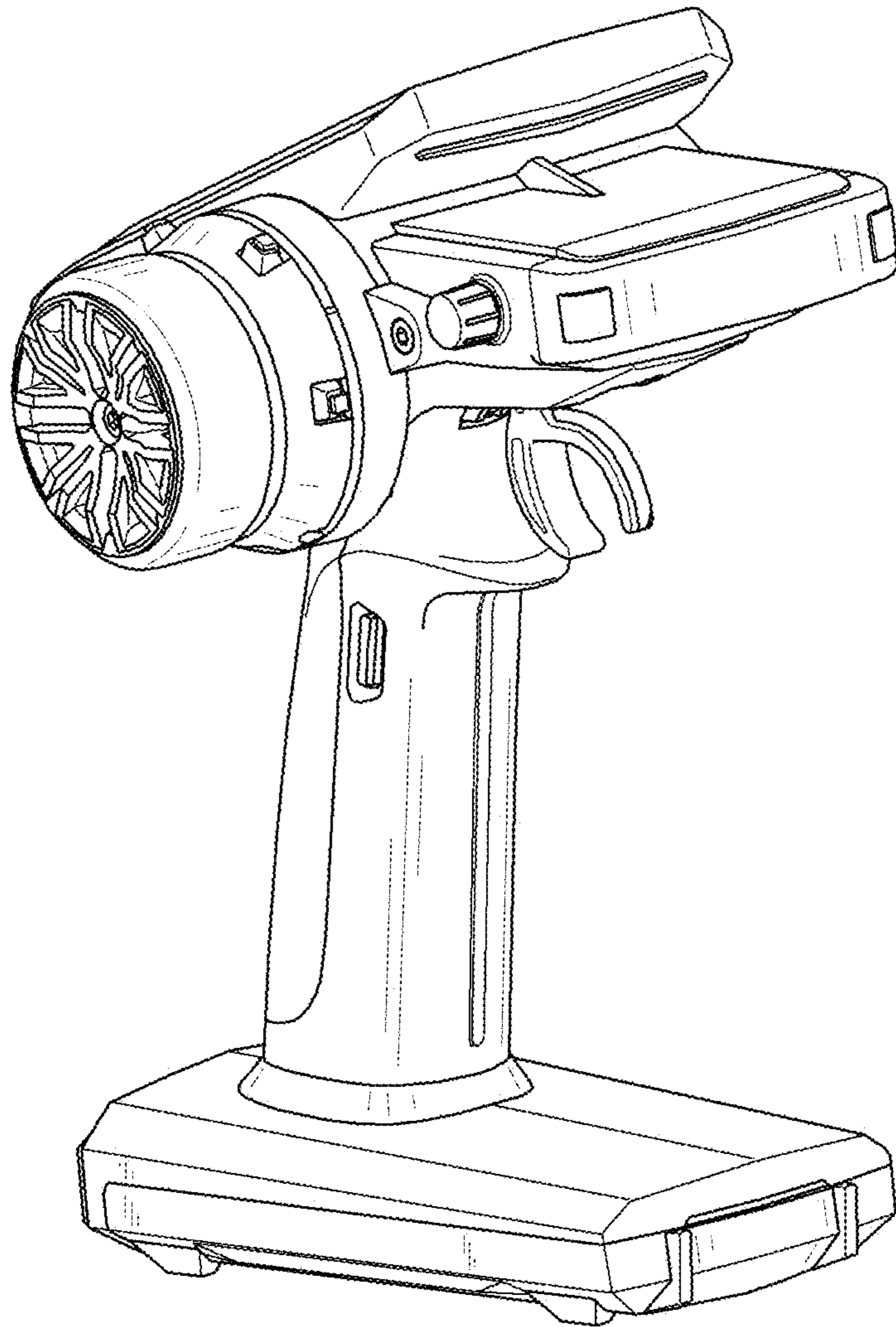


FIG. 9

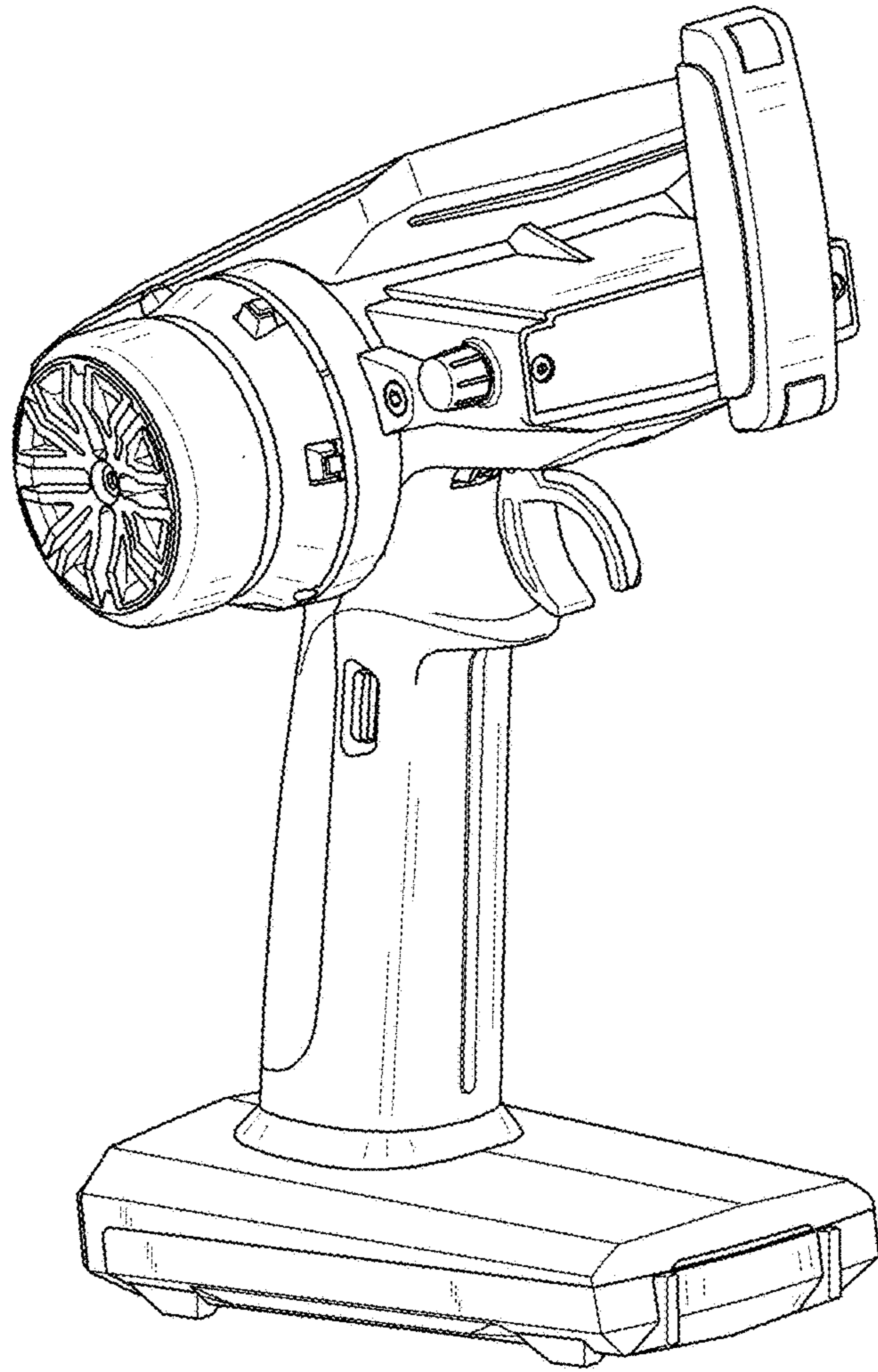


FIG. 10