



US00D807969S

(12) **United States Design Patent**
Hu et al.

(10) **Patent No.:** **US D807,969 S**
(45) **Date of Patent:** **** Jan. 16, 2018**

(54) **CONNECTOR MODULE**
(71) Applicants: **Microduino Inc.**, Westlake Village, CA (US); **Meike Technology (Beijing) Ltd.**, Beijing (CN)
(72) Inventors: **Jian Hu**, Westlake Village, CA (US); **Kejia Pan**, Westlake Village, CA (US); **Zhenshan Wang**, Westlake Village, CA (US); **Xi Li**, Westlake Village, CA (US); **Taiming Suo**, Westlake Village, CA (US); **Bin Feng**, Westlake Village, CA (US)

(73) Assignees: **MICRODUINO INC.**, Westlake Village, CA (US); **MEIKE TECHNOLOGY (BEIJING) LTD.**, Beijing (CN)

(**) Term: **15 Years**

(21) Appl. No.: **29/580,995**

(22) Filed: **Oct. 14, 2016**

(51) **LOC (11) Cl.** **21-01**

(52) **U.S. Cl.**
USPC **D21/501; D21/504**

(58) **Field of Classification Search**
USPC D21/484–486, 489, 491, 499–505; D25/113–116, 118
CPC A63H 33/00; A63H 33/04; A63H 33/06; A63H 33/08; A63H 33/084; A63H 33/086; A63H 33/088; A63H 33/10; A63H 33/105; A63H 33/108
See application file for complete search history.

(56) **References Cited**

U.S. PATENT DOCUMENTS

4,306,373 A * 12/1981 Chatani A63H 33/088 446/121
4,744,780 A * 5/1988 Volpe A63H 33/086 403/300

4,823,532 A * 4/1989 Westerburgen A63H 33/08 446/122
D336,666 S * 6/1993 Knudsen D21/501
D342,555 S * 12/1993 Berggreen D21/501
(Continued)

Primary Examiner — Selina Sikder
(74) *Attorney, Agent, or Firm* — Anova Law Group, PLLC

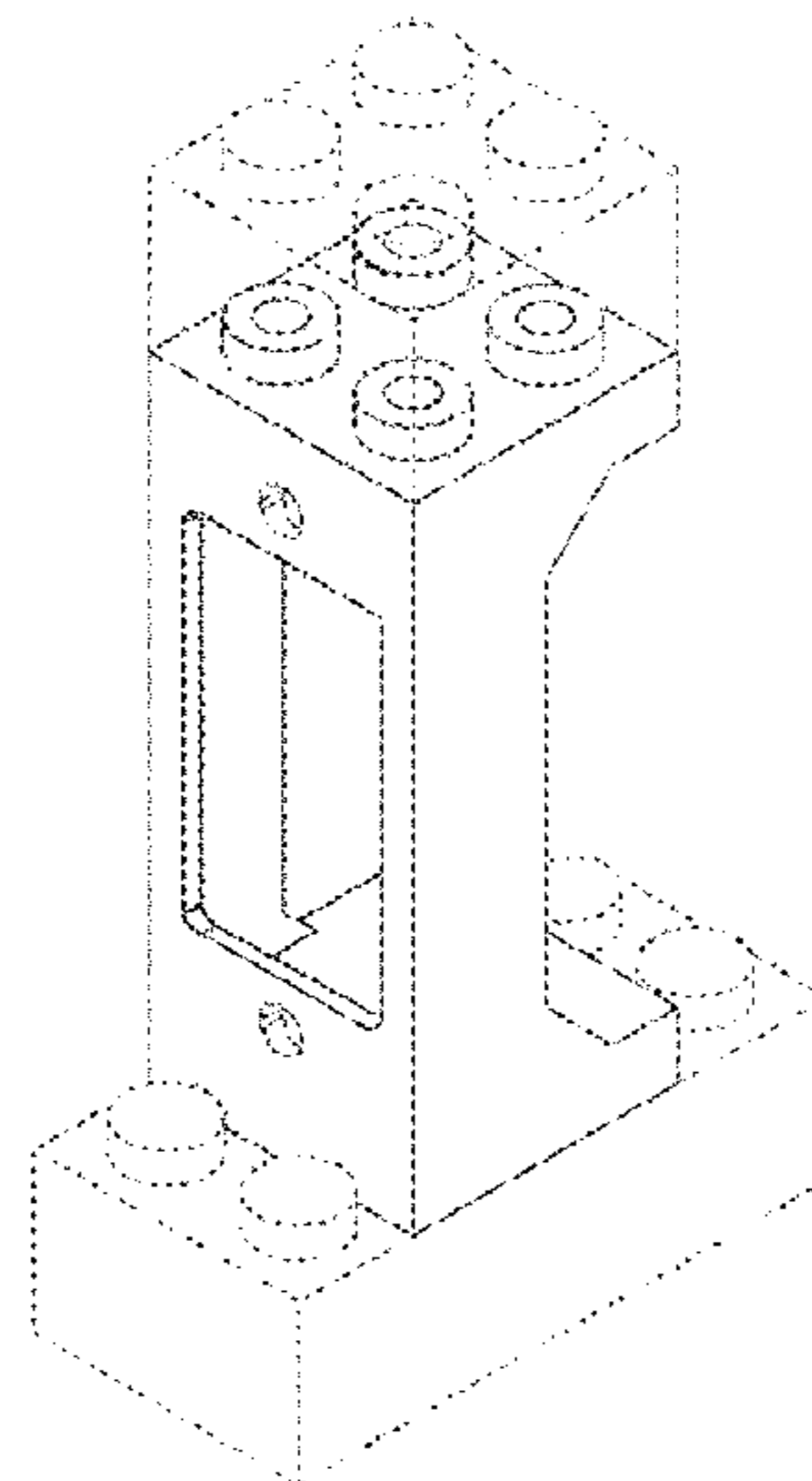
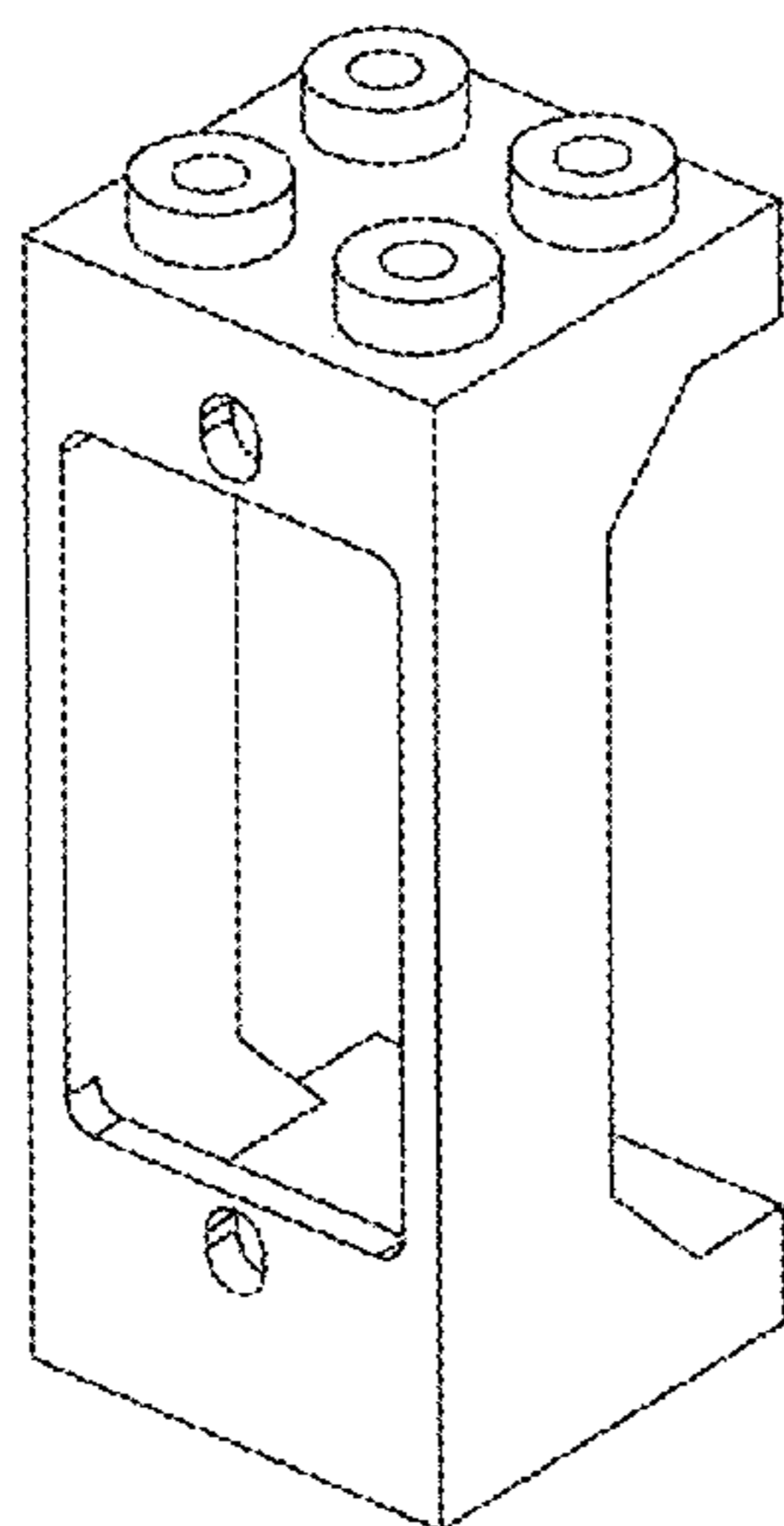
(57) **CLAIM**

The ornamental design for a connecting module, as shown and described.

DESCRIPTION

FIG. 1 is a front perspective view of a connector module in accordance with the present invention;
FIG. 2 is a front view of the connector module shown in FIG. 1;
FIG. 3 is a back view of the connector module shown in FIG. 1;
FIG. 4 is a left side view of the connector module shown in FIG. 1;
FIG. 5 is a right side view of the connector module shown in FIG. 1;
FIG. 6 is a top view of the connector module shown in FIG. 1;
FIG. 7 is a bottom view of the connector module shown in FIG. 1;
FIG. 8 is front perspective view of the connector module shown in FIG. 1 connecting a standard LEGO® block in accordance with the present invention;
FIG. 9 is front perspective view of the connector module shown in FIG. 1 connecting a servo in accordance with the present invention; and,
FIG. 10 is front perspective view of the connector module shown in FIG. 1 connecting two standard LEGO® blocks and a servo in accordance with the present invention.
The broken lines shown in FIGS. 8-10 views are for illustrative purposes only forms no part of the claimed design.

1 Claim, 9 Drawing Sheets



(56)

References Cited

U.S. PATENT DOCUMENTS

D348,698 S * 7/1994 Berggreen D21/502
D350,787 S * 9/1994 Hojlund D21/501
D351,005 S * 9/1994 Hojlund D21/501
D351,006 S * 9/1994 Nielsen D21/500
D360,658 S * 7/1995 Voldmester D21/501
D362,474 S * 9/1995 Voldmester D21/501
5,803,783 A * 9/1998 Holmstrøm A63H 3/52
446/102
D614,707 S * 4/2010 Ryaa D21/501
D639,870 S * 6/2011 Madsen D21/494
D688,328 S * 8/2013 Holm D21/484
D714,401 S * 9/2014 Lin D21/499
D748,741 S * 2/2016 Simonds D21/499
D751,152 S * 3/2016 Pestel D21/494
D751,153 S * 3/2016 Lacroix D21/494
2012/0181223 A1 * 7/2012 Yang C02F 3/101
210/150
2012/0252307 A1 * 10/2012 Lin A63H 33/042
446/91
2013/0115849 A1 * 5/2013 Yap A63H 9/00
446/128
2014/0127965 A1 * 5/2014 Adam A63H 33/042
446/91
2015/0314209 A1 * 11/2015 Brooks A63H 33/08
446/128
2015/0314210 A1 * 11/2015 Lama A63H 33/062
446/128
2015/0336018 A1 * 11/2015 Chin E04C 1/00
446/124
2015/0336019 A1 * 11/2015 Vollers B65D 81/361
446/71
2017/0036132 A1 * 2/2017 Yang A63H 33/042

* cited by examiner

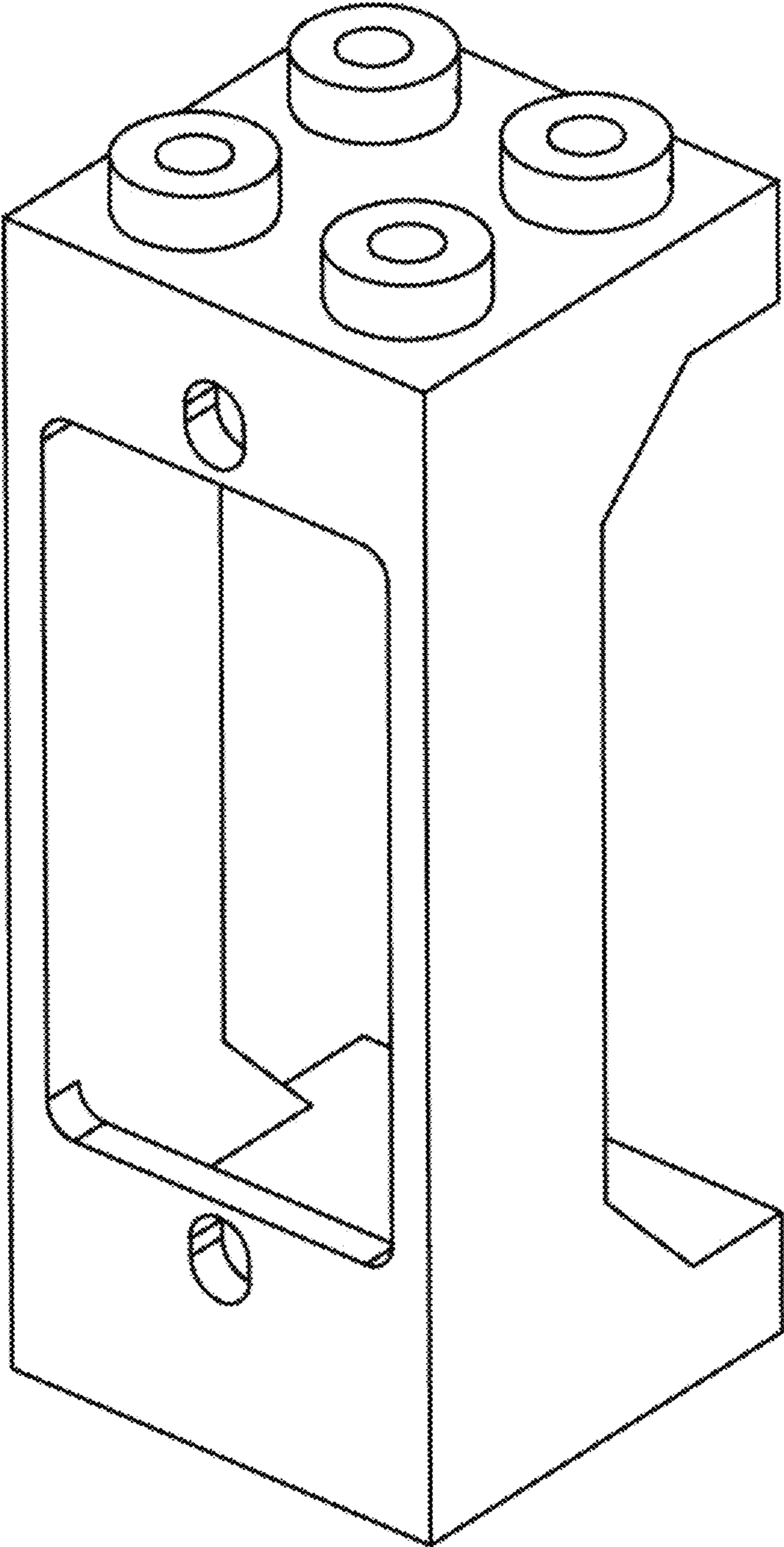


FIG. 1

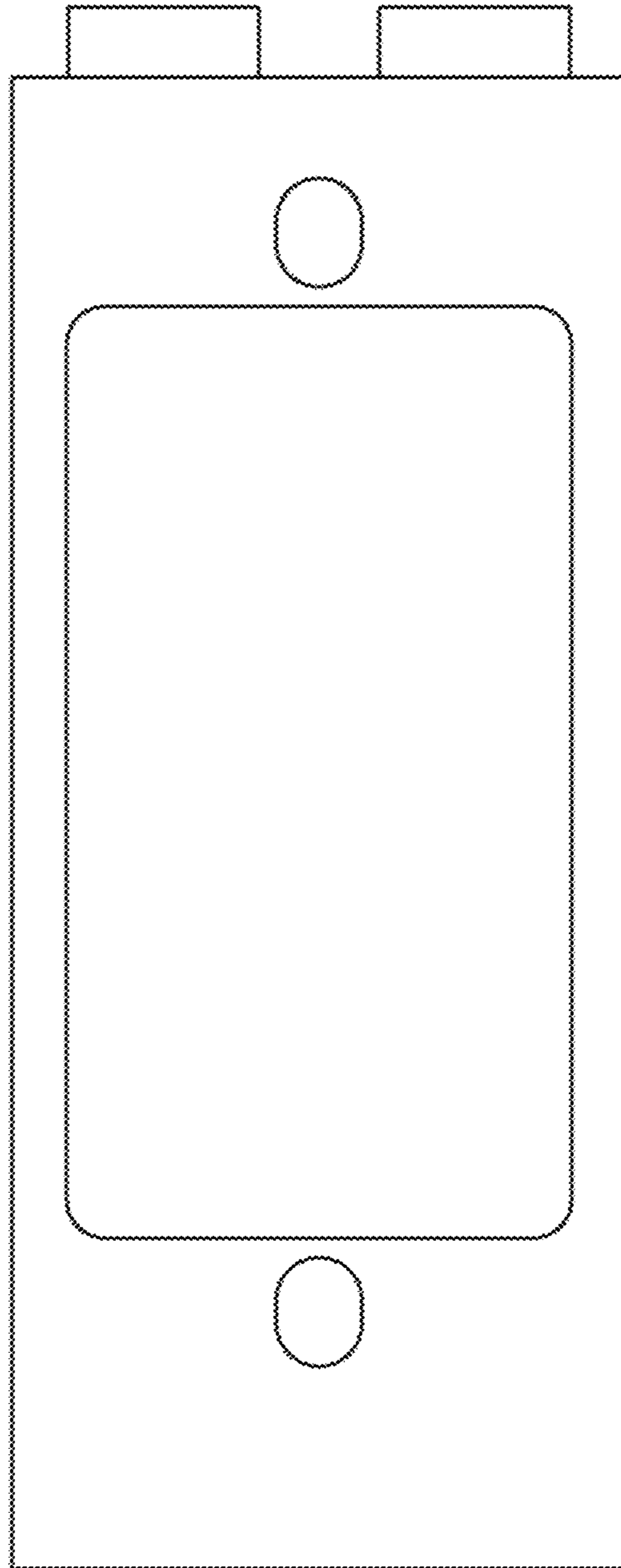


FIG. 2

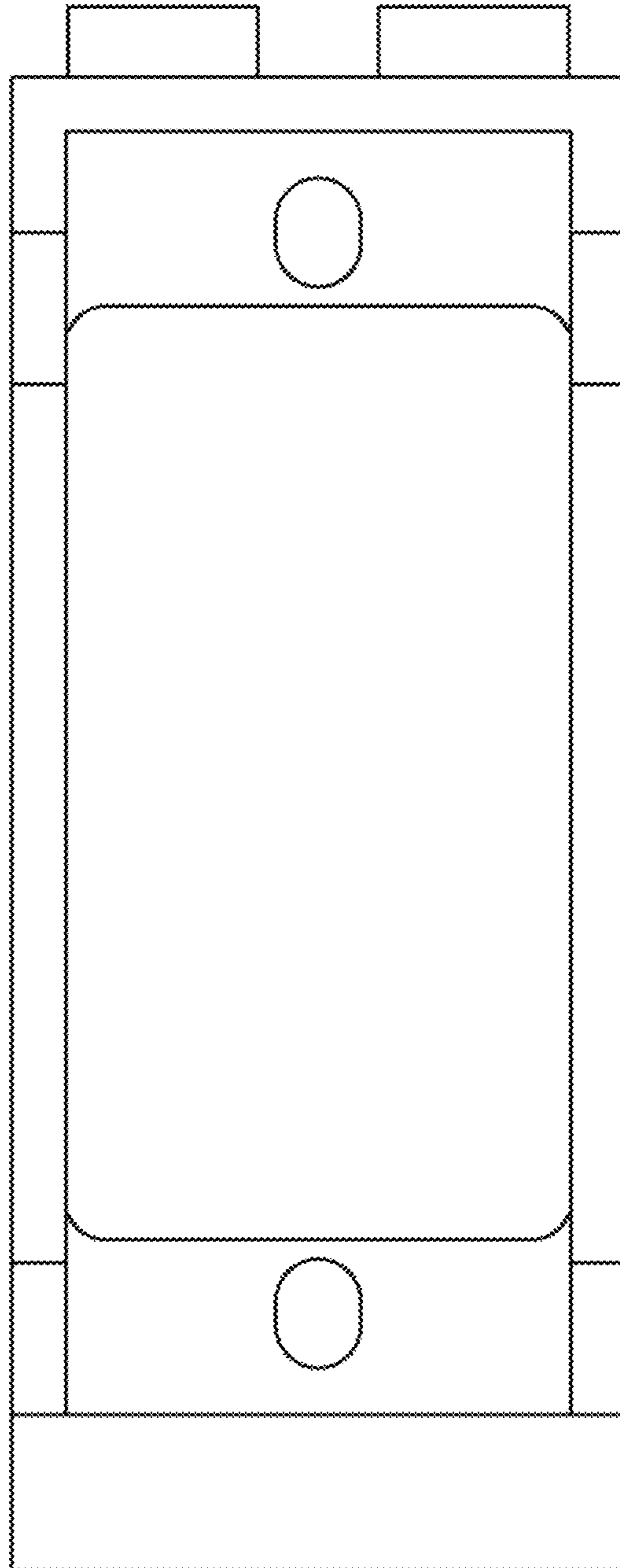


FIG. 3

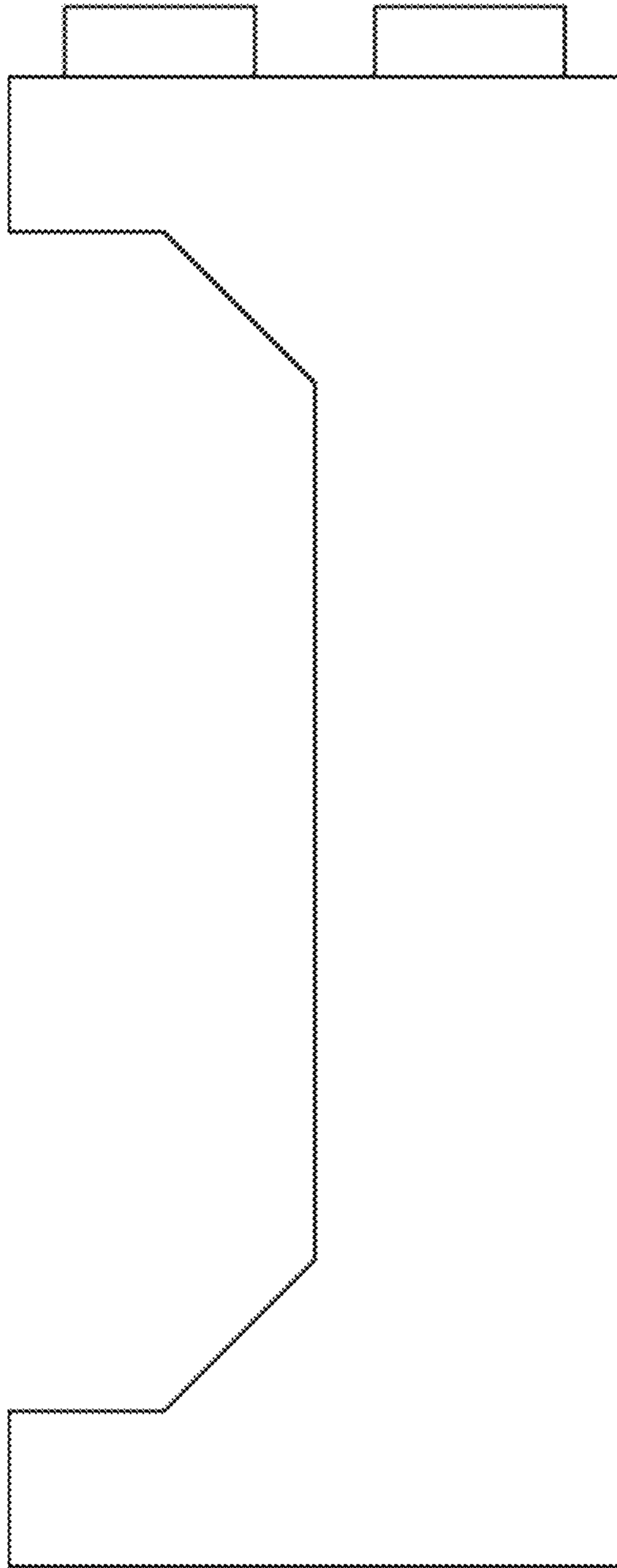


FIG. 4

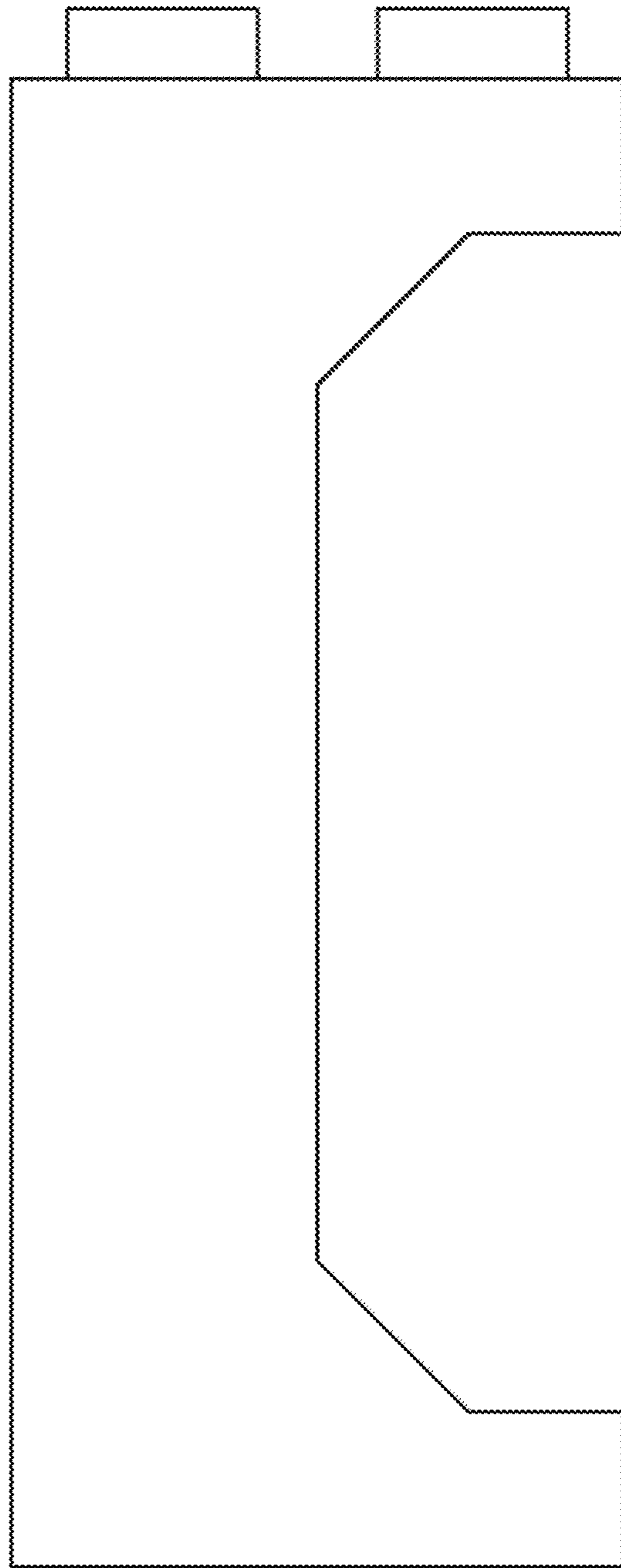


FIG. 5

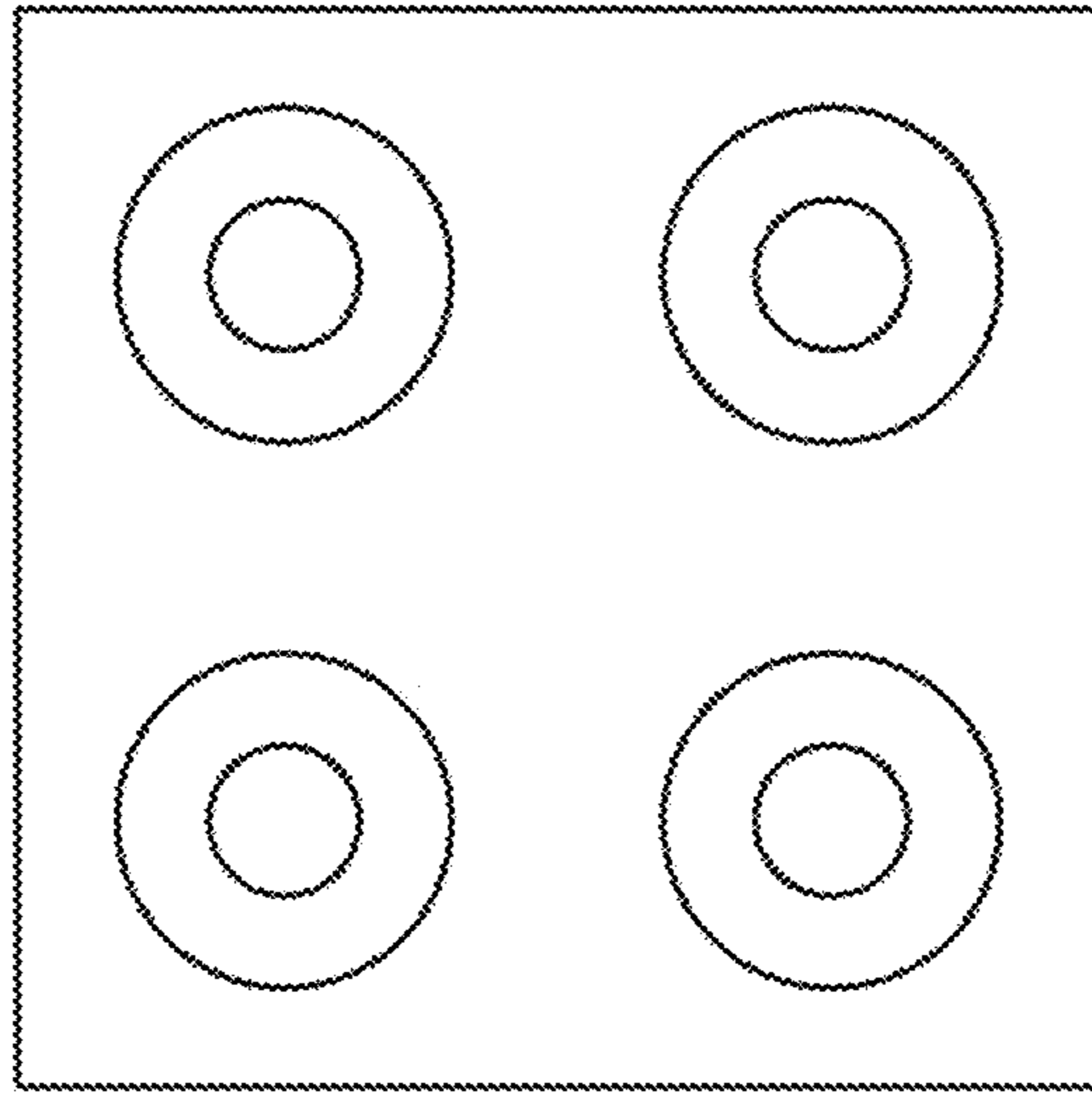


FIG. 6

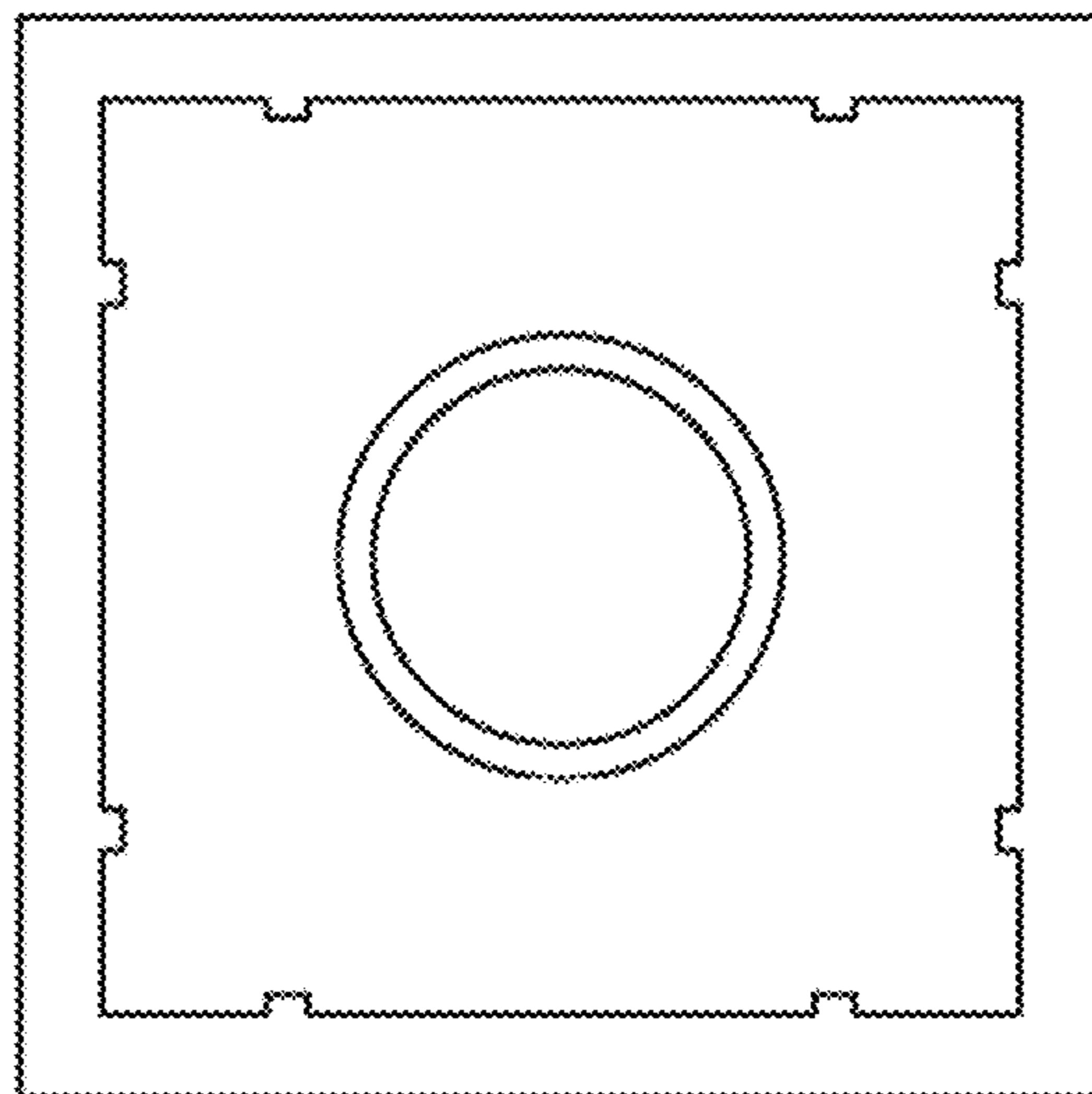


FIG. 7

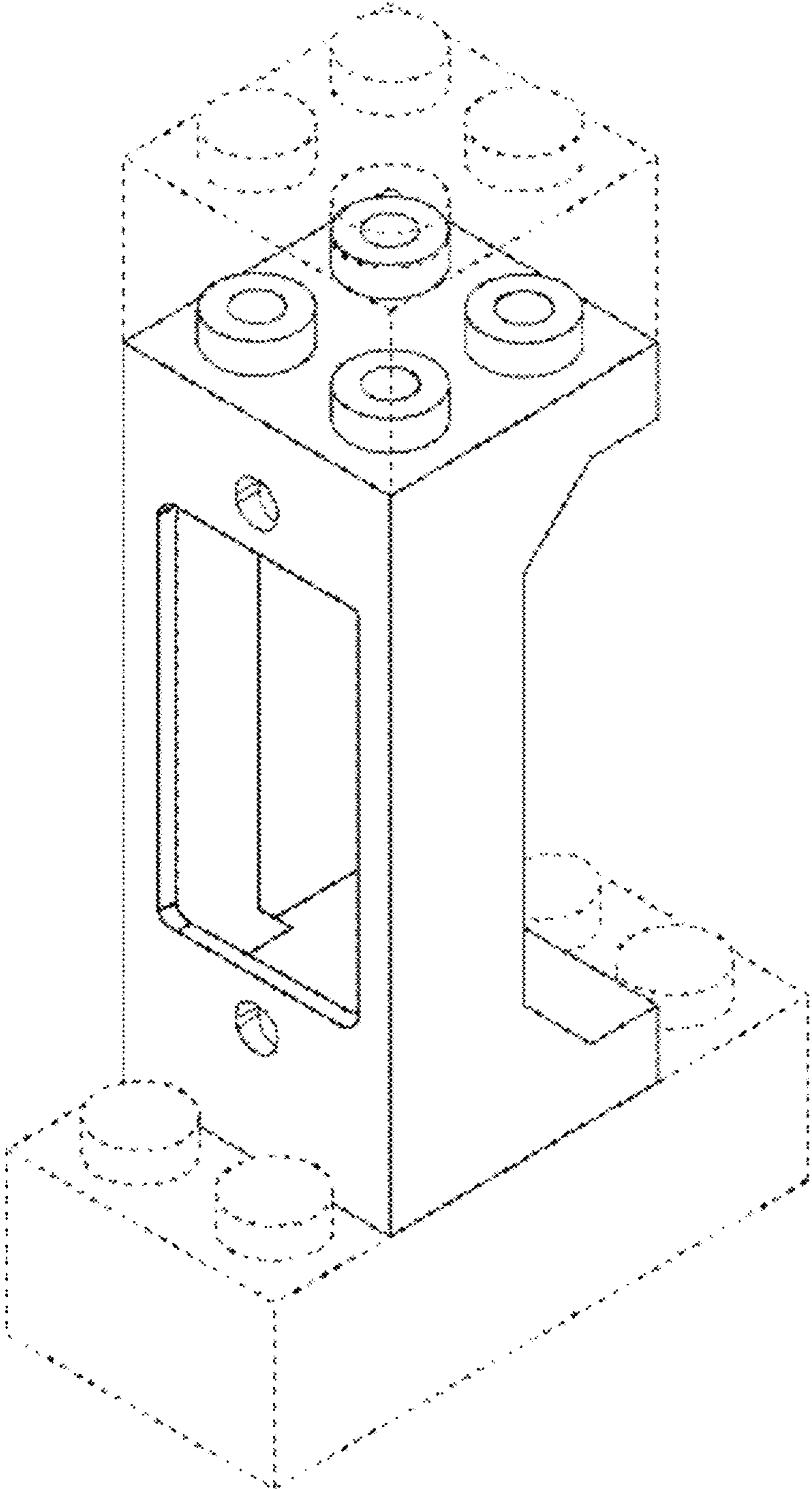


FIG. 8

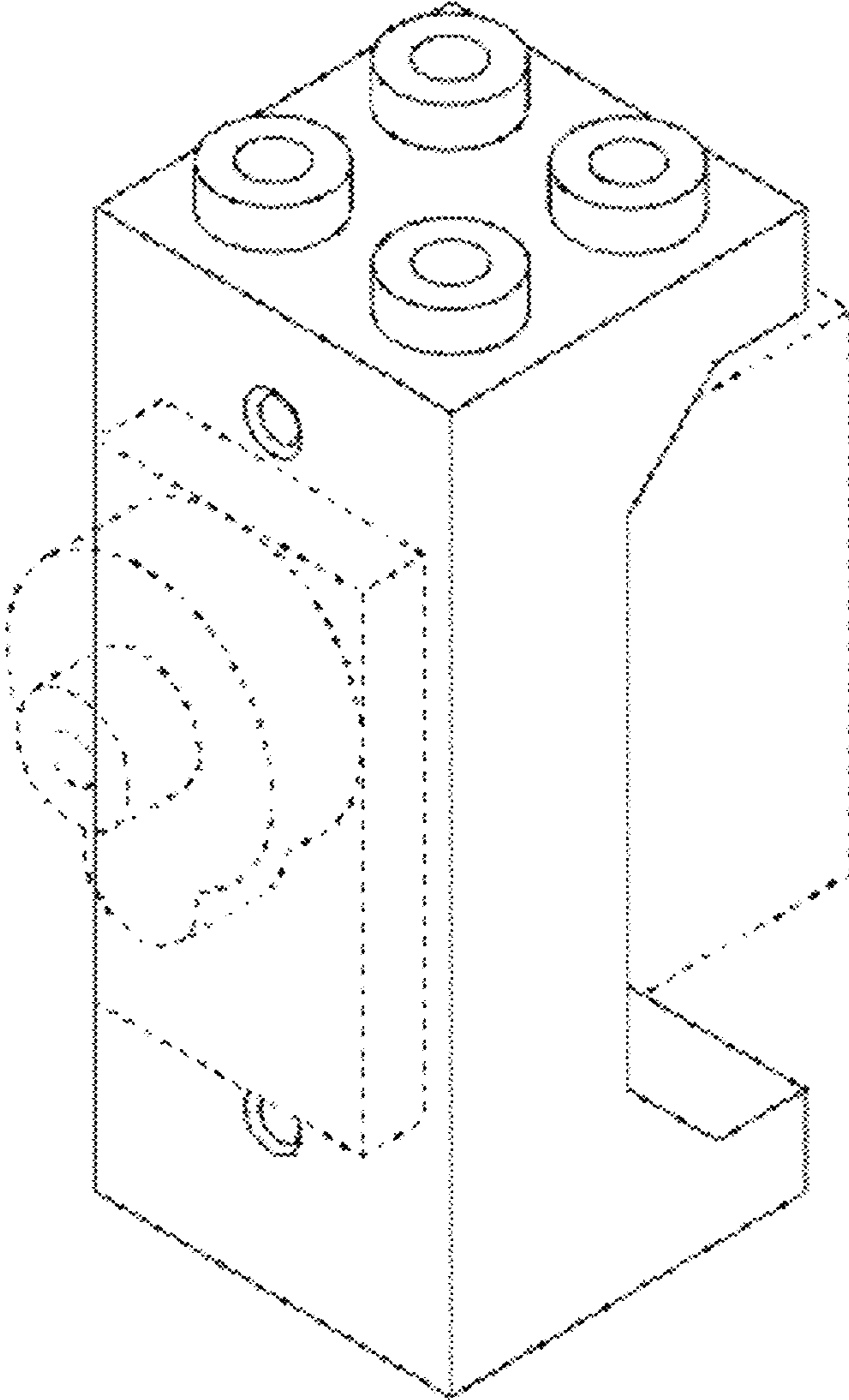


FIG. 9

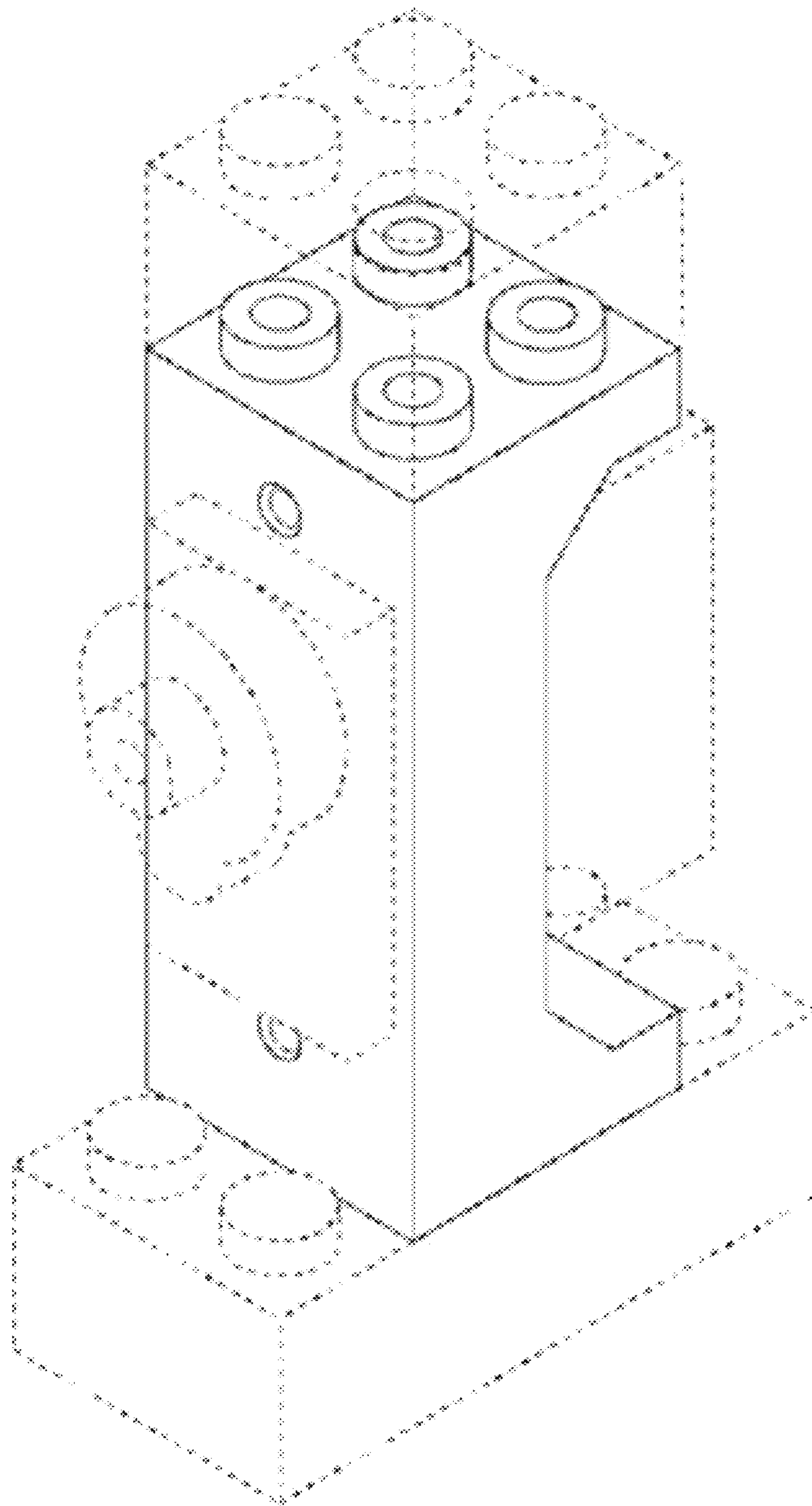


FIG. 10