



US00D807967S

(12) **United States Design Patent**  
**Kaplanali et al.**

(10) **Patent No.:** **US D807,967 S**

(45) **Date of Patent:** **\*\* Jan. 16, 2018**

- (54) **TOY**
- (71) Applicant: **Bioserie**, Hong Kong (HK)
- (72) Inventors: **Kemal Kaya Kaplanali**, Hong Kong (HK); **Stephanie Pascale Marie Triau**, Hong Kong (HK); **Erhun Batug Koprulu**, Istanbul (TR)
- (73) Assignee: **BIOSERIE**, Hong Kong (HK)
- (\*\*) Term: **15 Years**
- (21) Appl. No.: **29/559,923**
- (22) Filed: **Mar. 31, 2016**
- (51) **LOC (11) Cl.** ..... **21-01**
- (52) **U.S. Cl.**  
USPC ..... **D21/499**; D21/470; D21/501
- (58) **Field of Classification Search**  
USPC ..... D21/333, 373, 386, 389, 404, 468, 470, D21/471, 475, 484-505; 446/69, 85, 446/102-128; 434/167, 208, 259, 403; 273/153, 156, 160; D3/304, 314; D24/101; D25/113, 118  
CPC ..... A63H 33/04; A63H 33/06; A63H 33/062; A63H 33/08; A63H 33/084; A63H 33/088; A63F 9/12; A63F 9/1224  
See application file for complete search history.

- 4,149,717 A \* 4/1979 Seijiro ..... A63F 9/12  
273/157 R
- D276,171 S \* 10/1984 Filipowicz ..... D21/468
- D283,635 S \* 4/1986 Kato ..... D21/499
- 4,698,023 A \* 10/1987 Marino ..... A63F 9/12  
434/259
- D296,451 S \* 6/1988 Ming ..... D21/470
- 5,071,002 A \* 12/1991 Bradley ..... A47G 23/0216  
206/217
- 5,116,052 A \* 5/1992 Pop ..... A63F 9/0842  
273/153 R
- D334,815 S \* 4/1993 Bunger ..... D21/501
- D380,240 S \* 6/1997 Johnson, Jr. .... D21/470
- D437,010 S \* 1/2001 Meys ..... D21/498
- D464,682 S \* 10/2002 Lin ..... D21/499
- D480,437 S \* 10/2003 Stoneberg ..... D21/499
- D482,742 S \* 11/2003 May ..... D21/499

\* cited by examiner

*Primary Examiner* — Cynthia M Chin

(74) *Attorney, Agent, or Firm* — Sterne, Kessler, Goldstein & Fox P.L.L.C.

(57) **CLAIM**

The ornamental design for a toy, as shown and described.

**DESCRIPTION**

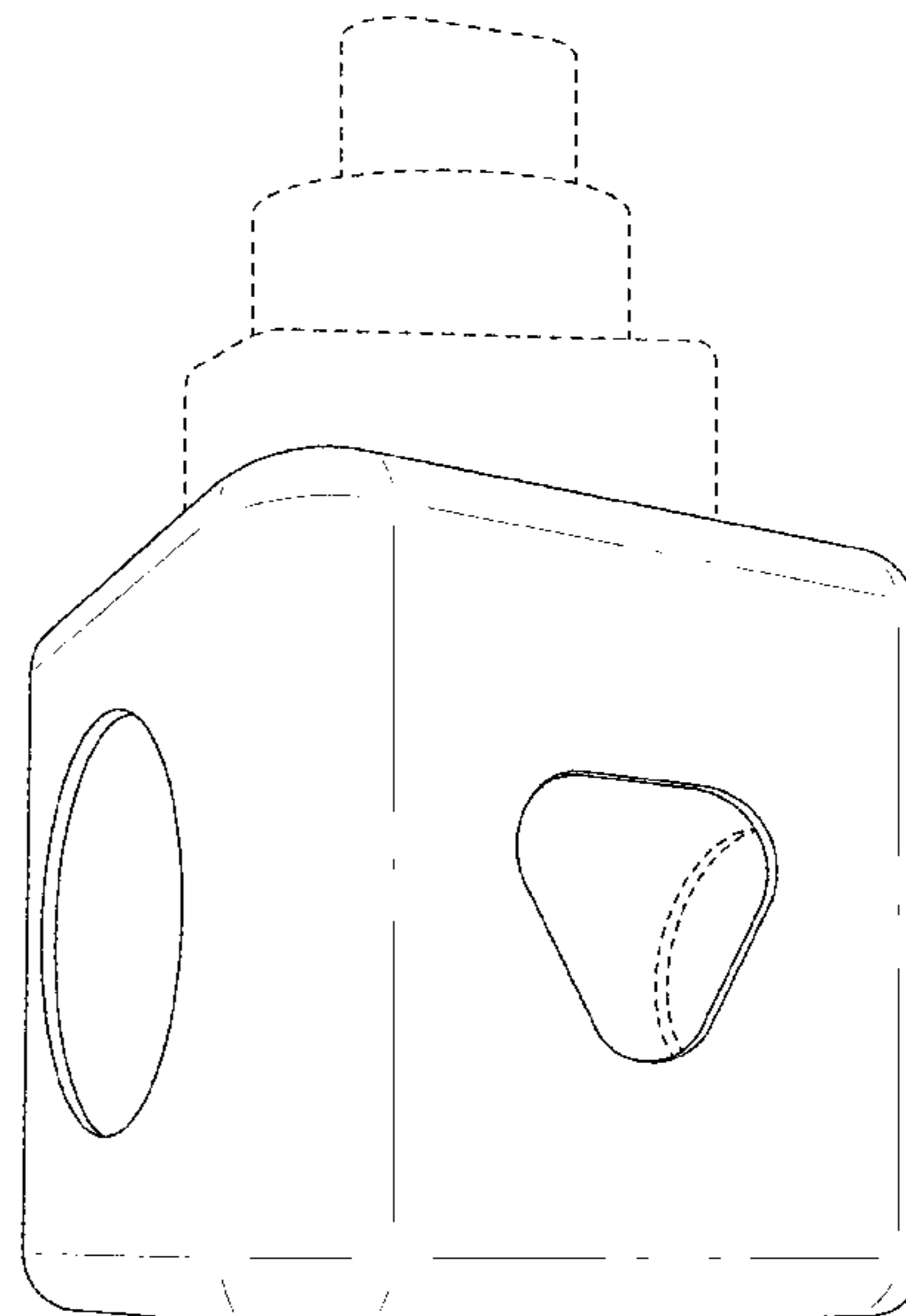
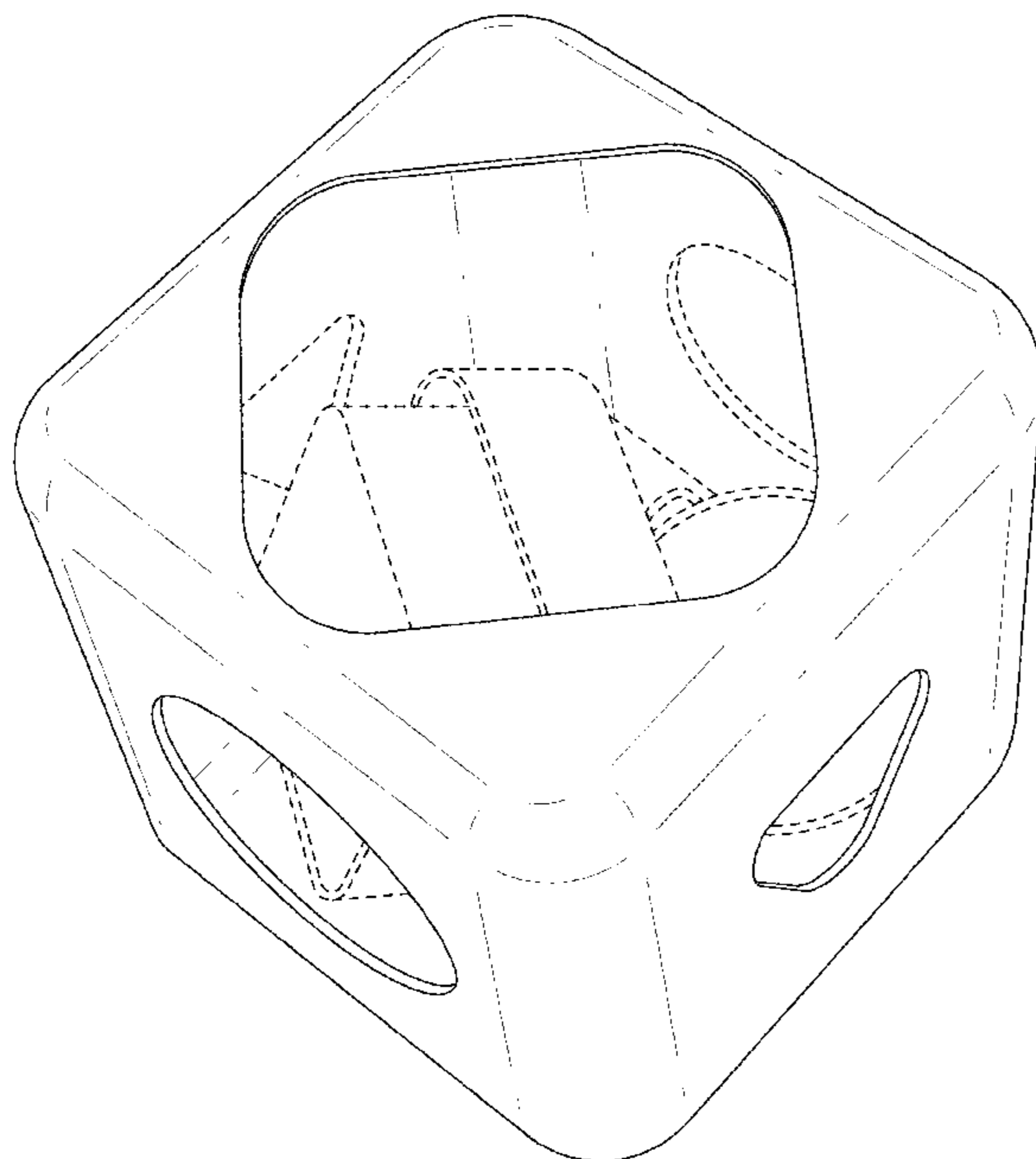
FIG. 1 is a top left perspective view of a toy showing the claimed design;  
FIG. 2 is a left front perspective view thereof; and,  
FIG. 3 is a top front perspective view thereof.  
The broken lines in the figures show portions of the toy and environment that form no part of the claimed design.

**1 Claim, 3 Drawing Sheets**

(56) **References Cited**

**U.S. PATENT DOCUMENTS**

- 3,235,263 A \* 2/1966 Smith ..... A63F 9/0666  
273/156
- D231,787 S \* 6/1974 Burnley ..... 119/265



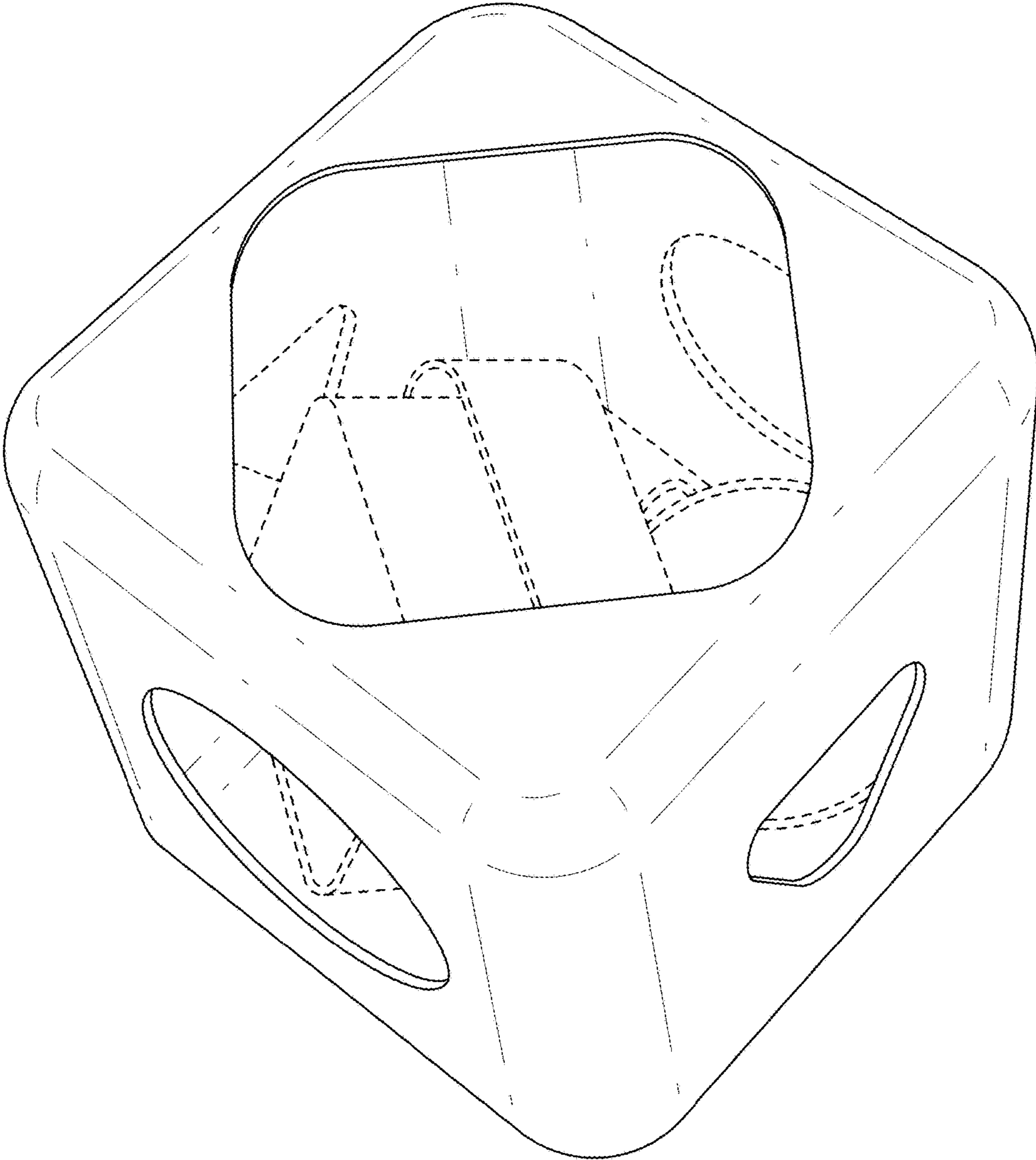


FIG. 1

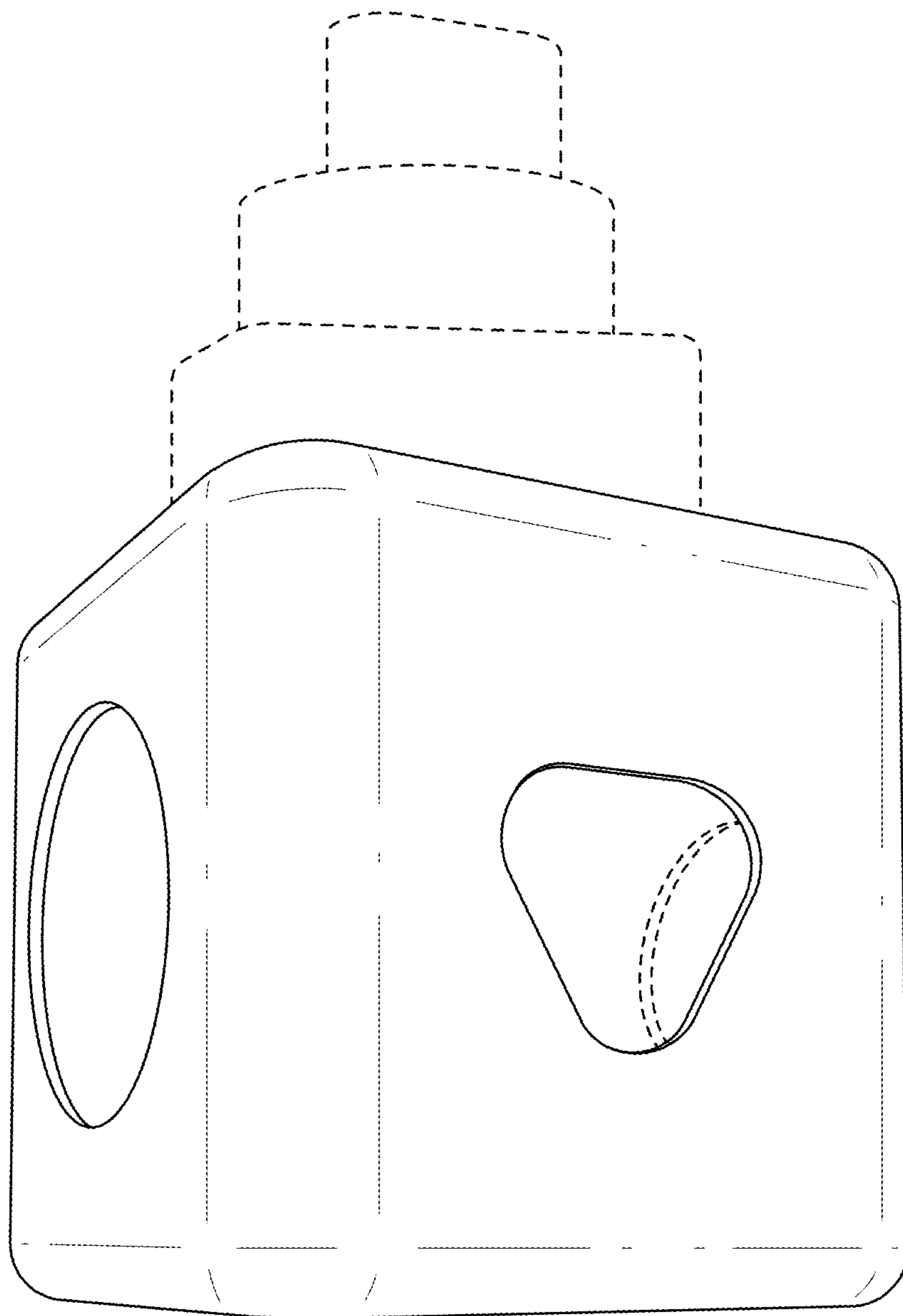


FIG. 2

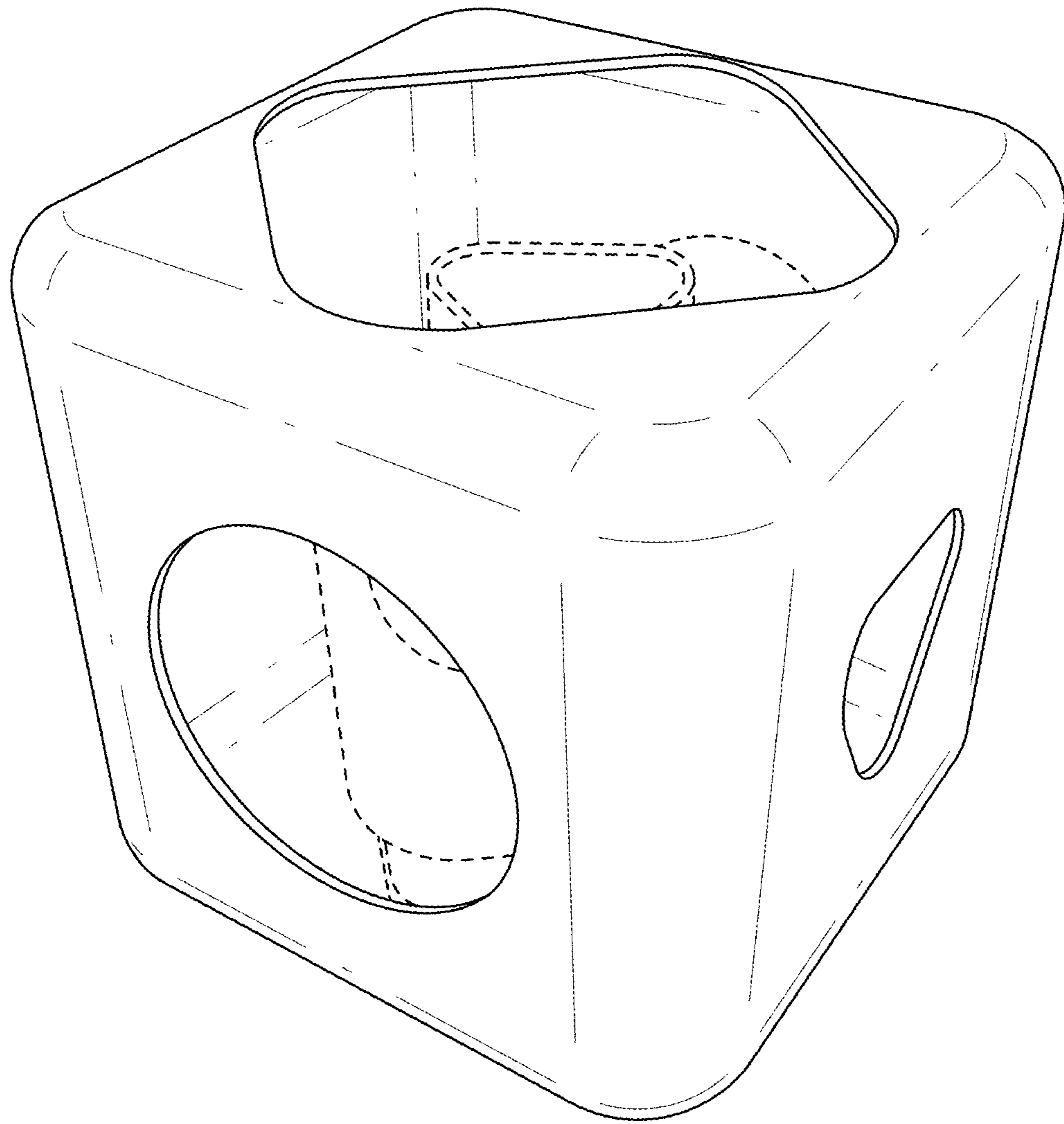


FIG. 3