



US00D807963S

(12) **United States Design Patent**  
**Zandonella**

(10) **Patent No.:** **US D807,963 S**  
(45) **Date of Patent:** **\*\* Jan. 16, 2018**

- (54) **CORNHOLE PLATFORM**
- (71) Applicant: **Adam Zandonella**, Boston, MA (US)
- (72) Inventor: **Adam Zandonella**, Boston, MA (US)
- (\*\*) Term: **15 Years**
- (21) Appl. No.: **29/571,909**
- (22) Filed: **Jul. 22, 2016**
- (51) **LOC (11) Cl.** ..... **21-01**
- (52) **U.S. Cl.**  
USPC ..... **D21/303**
- (58) **Field of Classification Search**  
USPC ..... D21/300, 302, 303, 318, 334; 273/317,  
273/331, 336, 398, 400, 402, 407, 408,  
273/410, 118 R, 123 R, 236, 348, 386,  
273/287, DIG. 24; 473/569, 578, 592,  
473/570, 571, 577, 594; 446/46, 47  
CPC ..... A63B 63/00; A63B 67/00; A63B 71/00;  
A63B 43/06  
See application file for complete search history.

- D706,355 S \* 6/2014 Montenare ..... D21/303
- D729,319 S \* 5/2015 Meissner ..... D21/303
- D781,960 S \* 3/2017 Czwalga ..... D21/303

\* cited by examiner

*Primary Examiner* — Prabhakar G Deshmukh  
(74) *Attorney, Agent, or Firm* — Grossman, Tucker,  
Perreault & Pfeleger, PLLC

(56) **References Cited**

U.S. PATENT DOCUMENTS

- 4,943,065 A \* 7/1990 DeLapa ..... A63B 67/06  
273/402
- 4,961,586 A \* 10/1990 Conville ..... A63B 67/06  
273/402
- 5,871,216 A \* 2/1999 Sparacino ..... A63B 63/08  
273/402
- D438,910 S \* 3/2001 Culberson ..... D21/303
- 6,244,598 B1 \* 6/2001 Conville ..... A63B 63/00  
273/402
- D548,286 S \* 8/2007 Taylor ..... D21/303
- 7,607,666 B1 \* 10/2009 Studier ..... A63B 63/00  
116/222
- D635,197 S \* 3/2011 Pryor ..... D21/303
- 8,465,022 B2 \* 6/2013 Weiss ..... A63F 3/00028  
273/277

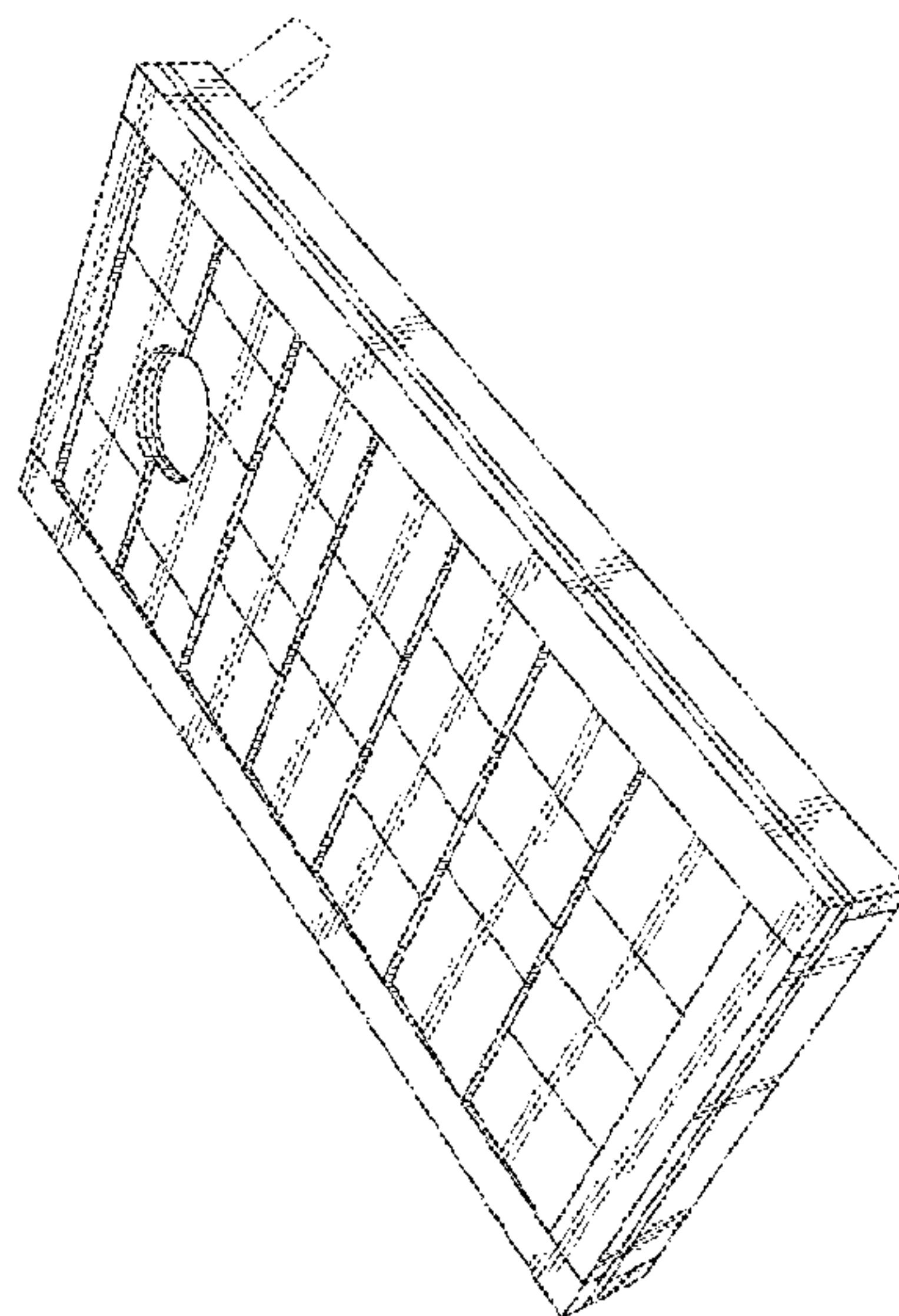
(57) **CLAIM**

The ornamental design for a cornhole platform, as shown and described.

**DESCRIPTION**

FIG. 1 is a front, top perspective view of a cornhole platform showing my new design;  
 FIG. 2 is a front view of FIG. 1;  
 FIG. 3 is a rear view of FIG. 1;  
 FIG. 4 is a right side view of FIG. 1 (the left side is a mirror image of the right side);  
 FIG. 5 is a top plan view of FIG. 1;  
 FIG. 6 is a bottom plan view of FIG. 1;  
 FIG. 7 is a front, top perspective view of a second embodiment of a cornhole platform. Having a transparent top surface;  
 FIG. 8 is a front view of FIG. 7;  
 FIG. 9 is a rear view of FIG. 7;  
 FIG. 10 is a right side view of FIG. 7 (the left side is a mirror image of the right side);  
 FIG. 11 is a top plan view of FIG. 7; and,  
 FIG. 12 is a bottom plan view of FIG. 7.  
 The broken lines in the drawings are for illustrative purposes only and form no part of the claimed design.

**1 Claim, 10 Drawing Sheets**



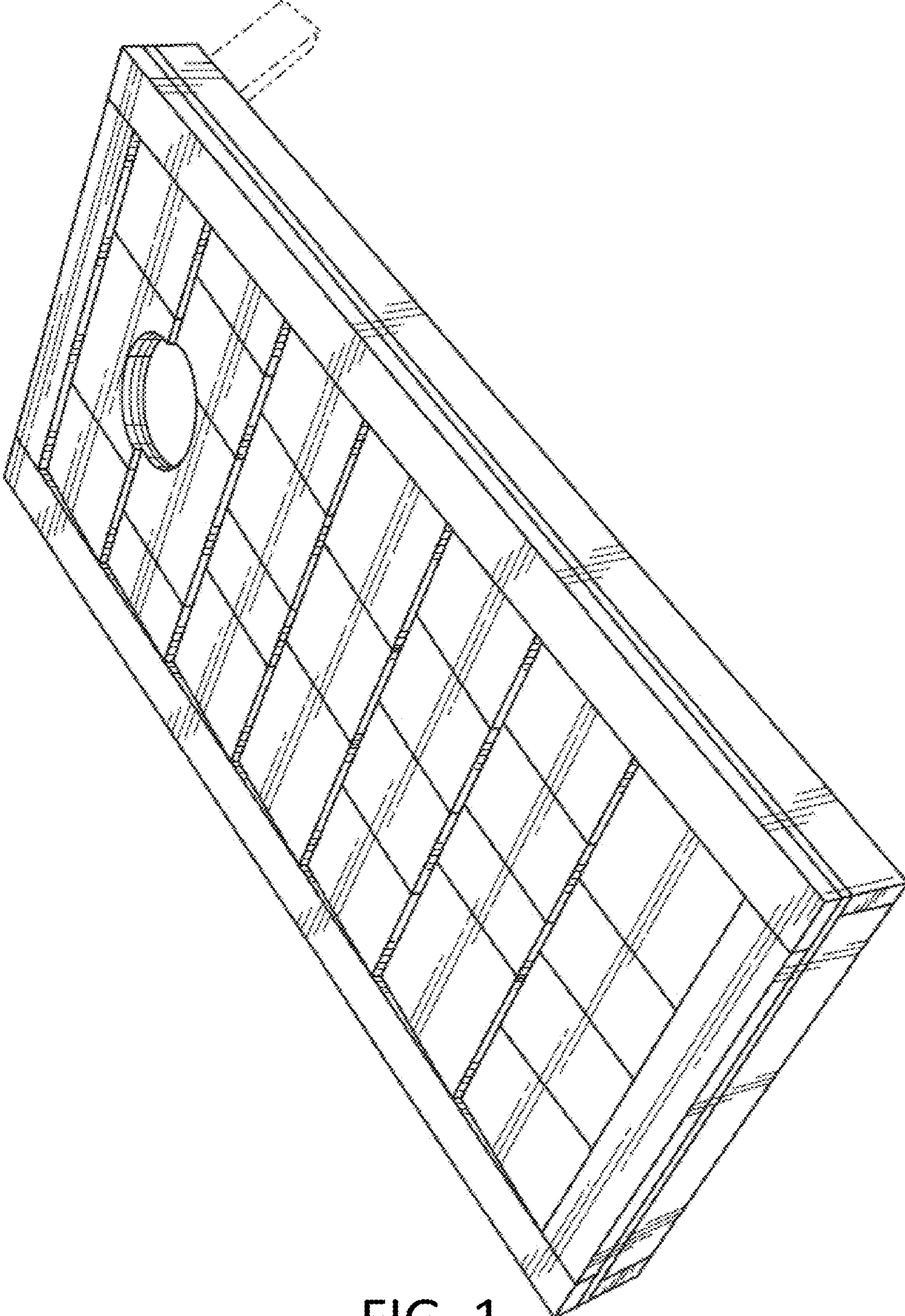


FIG. 1



FIG. 2

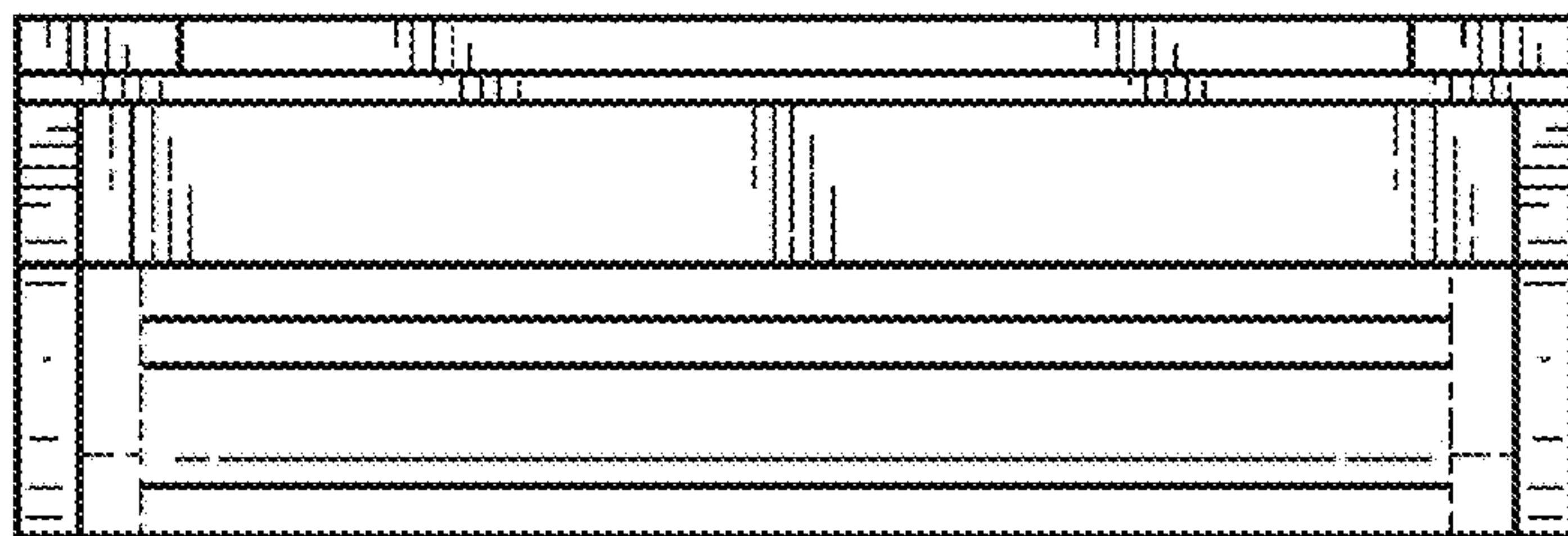


FIG. 3



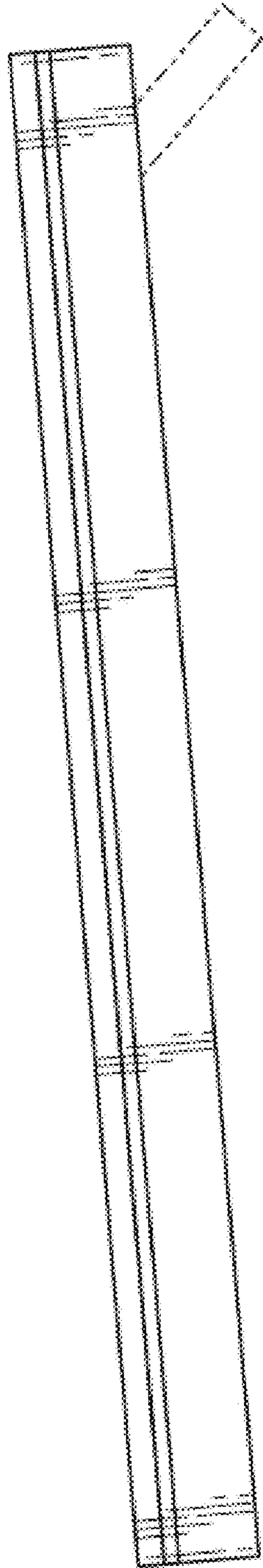


FIG. 4

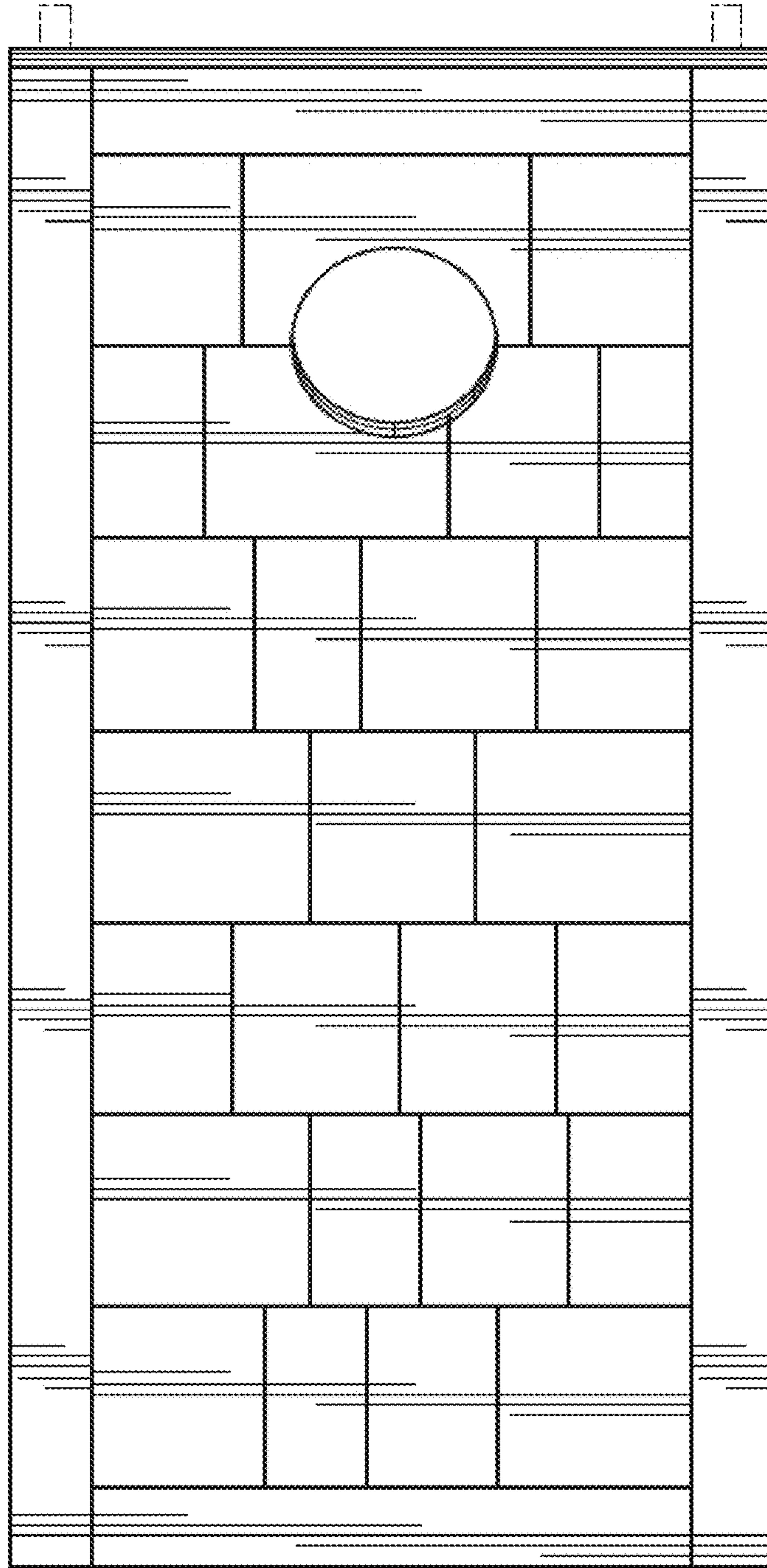


FIG. 5

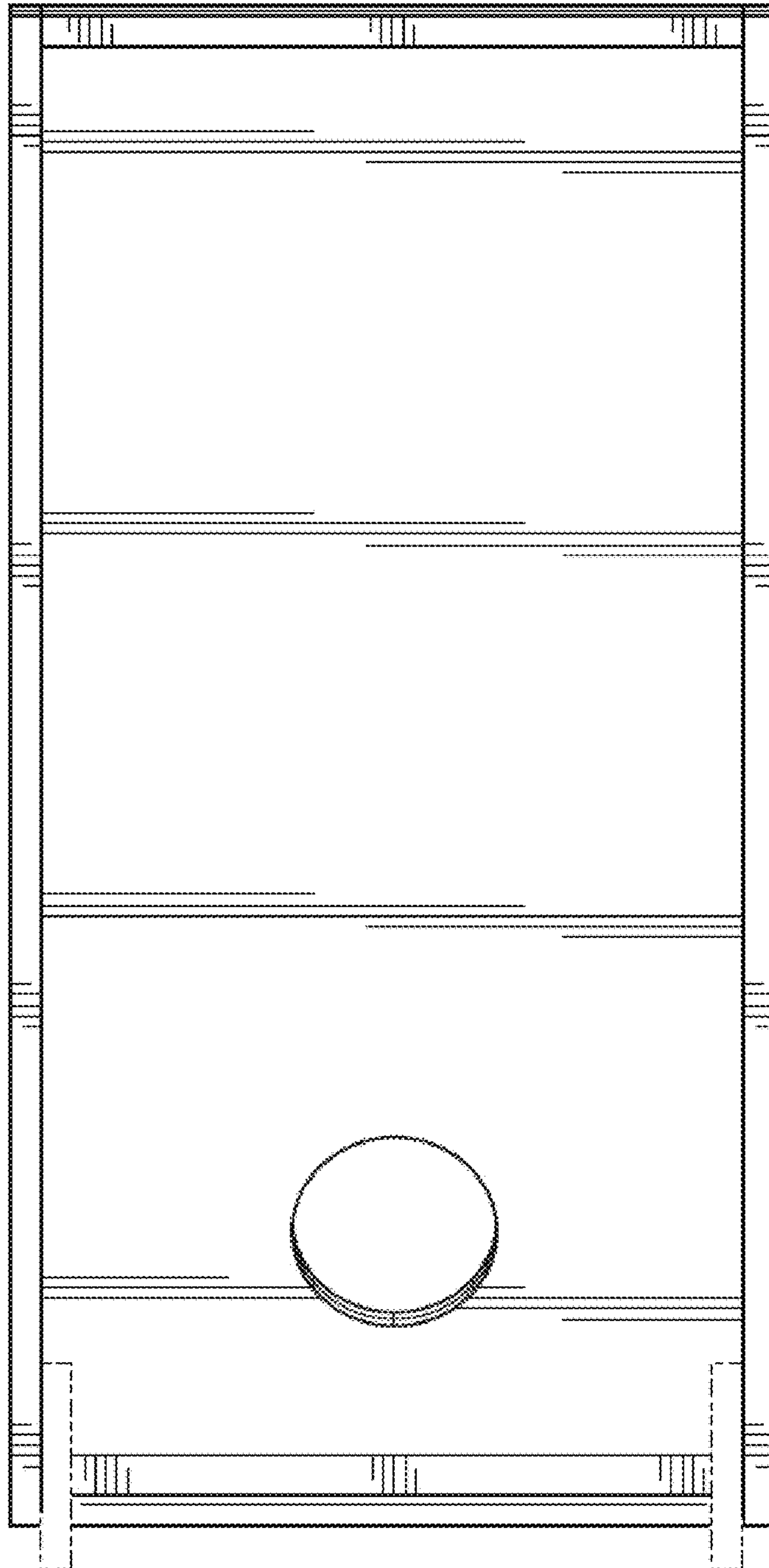


FIG. 6

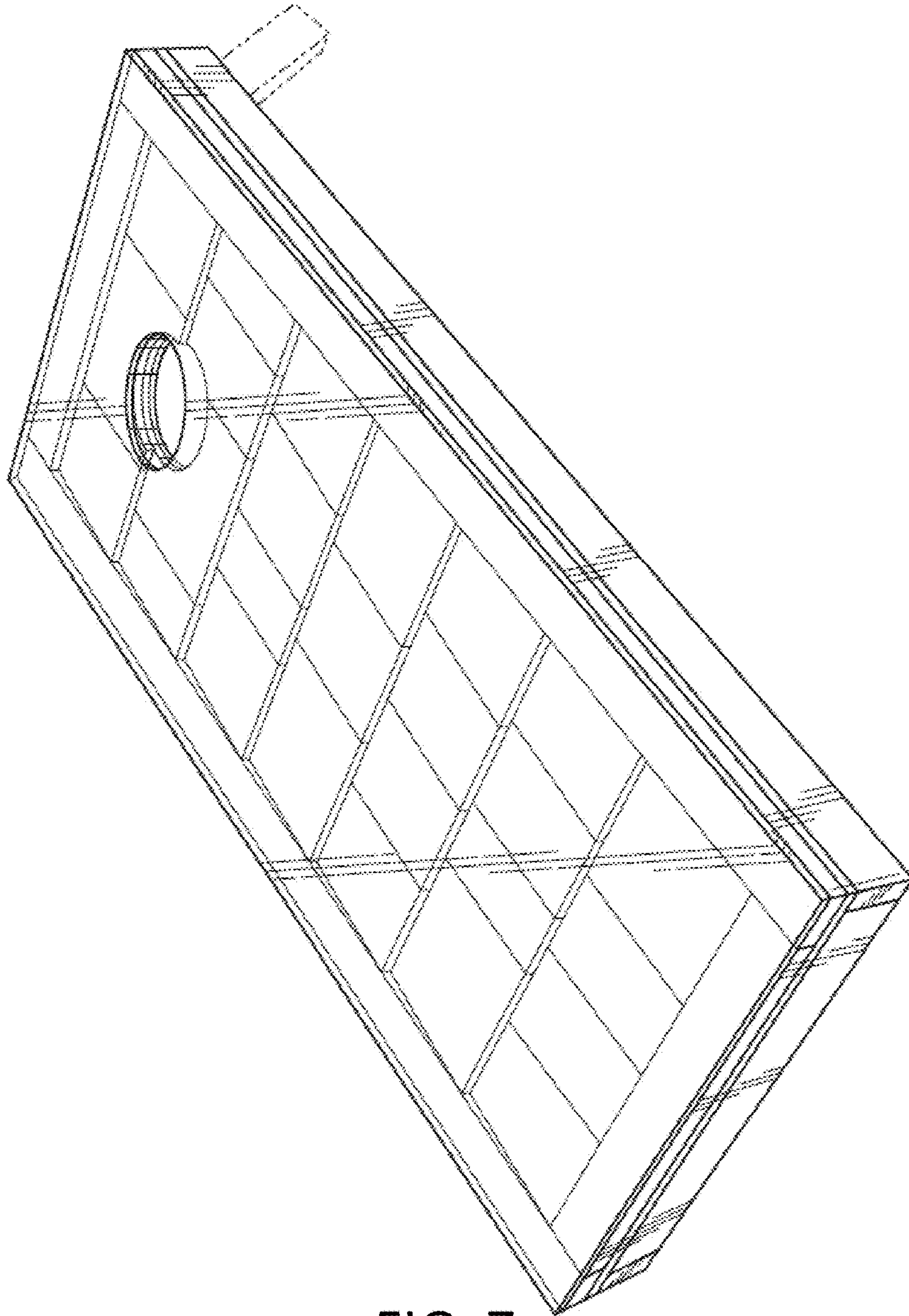


FIG. 7



FIG. 8

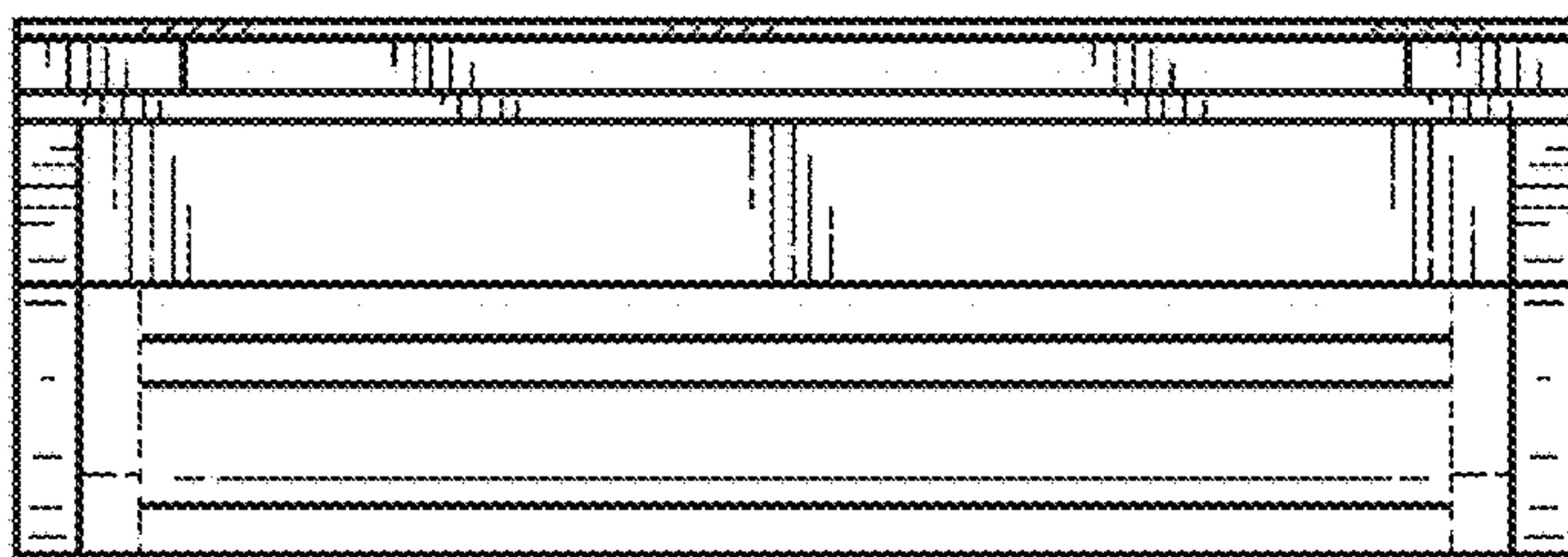


FIG. 9



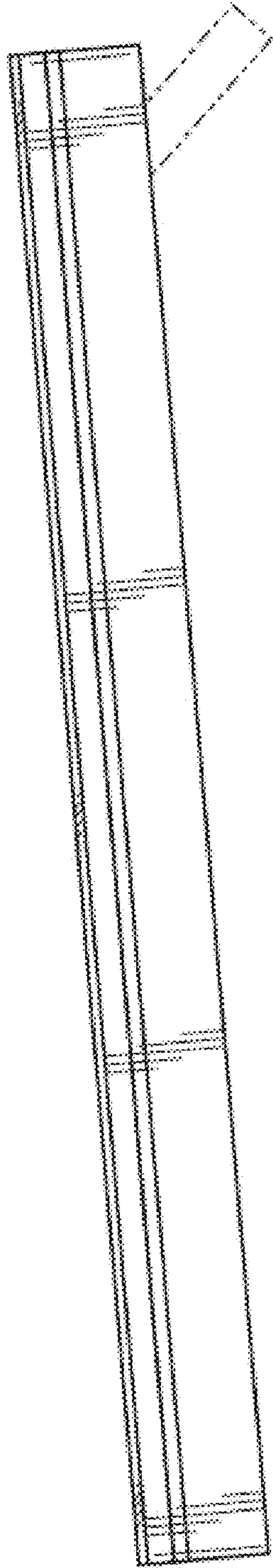


FIG. 10

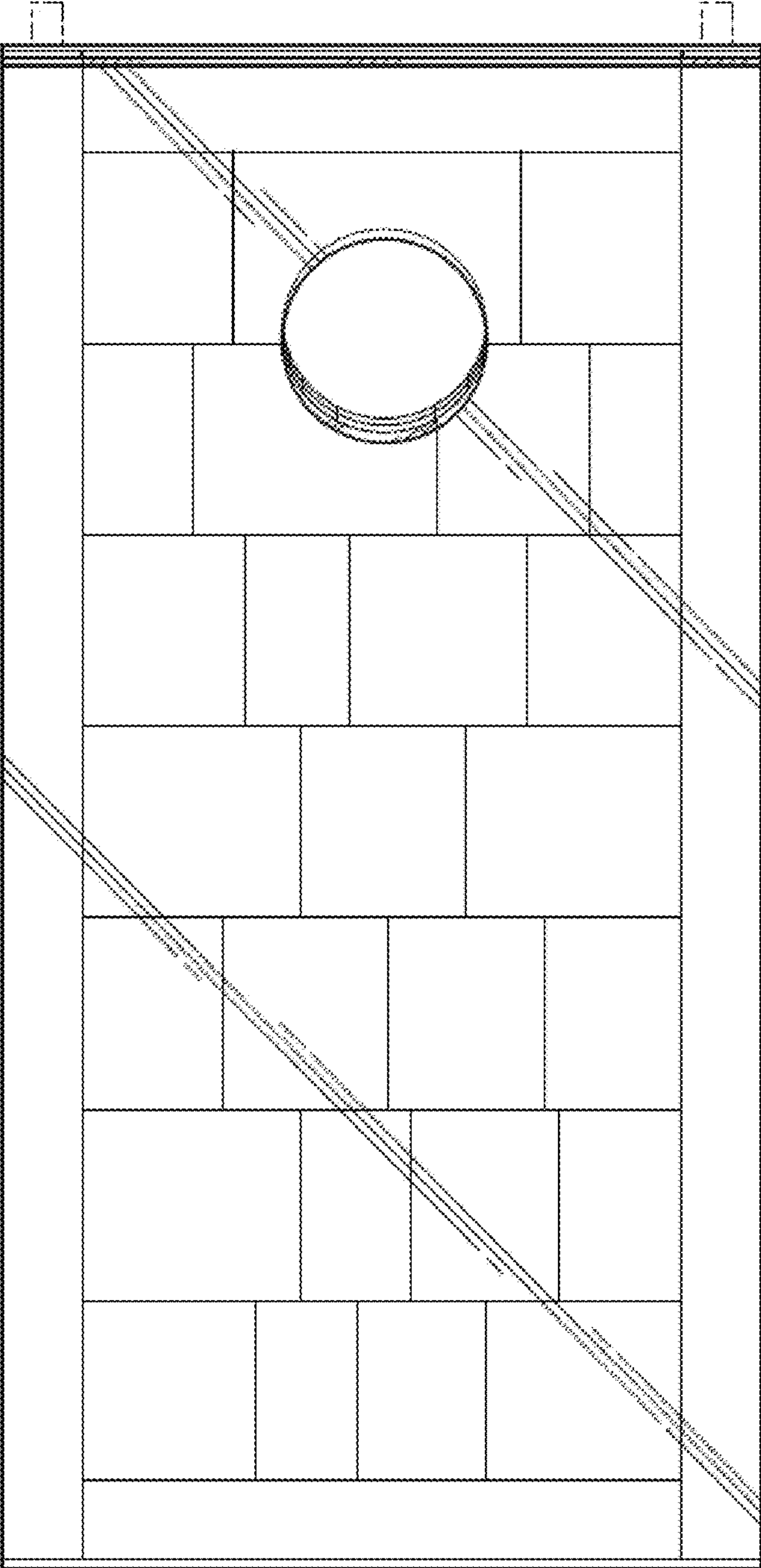


FIG. 11

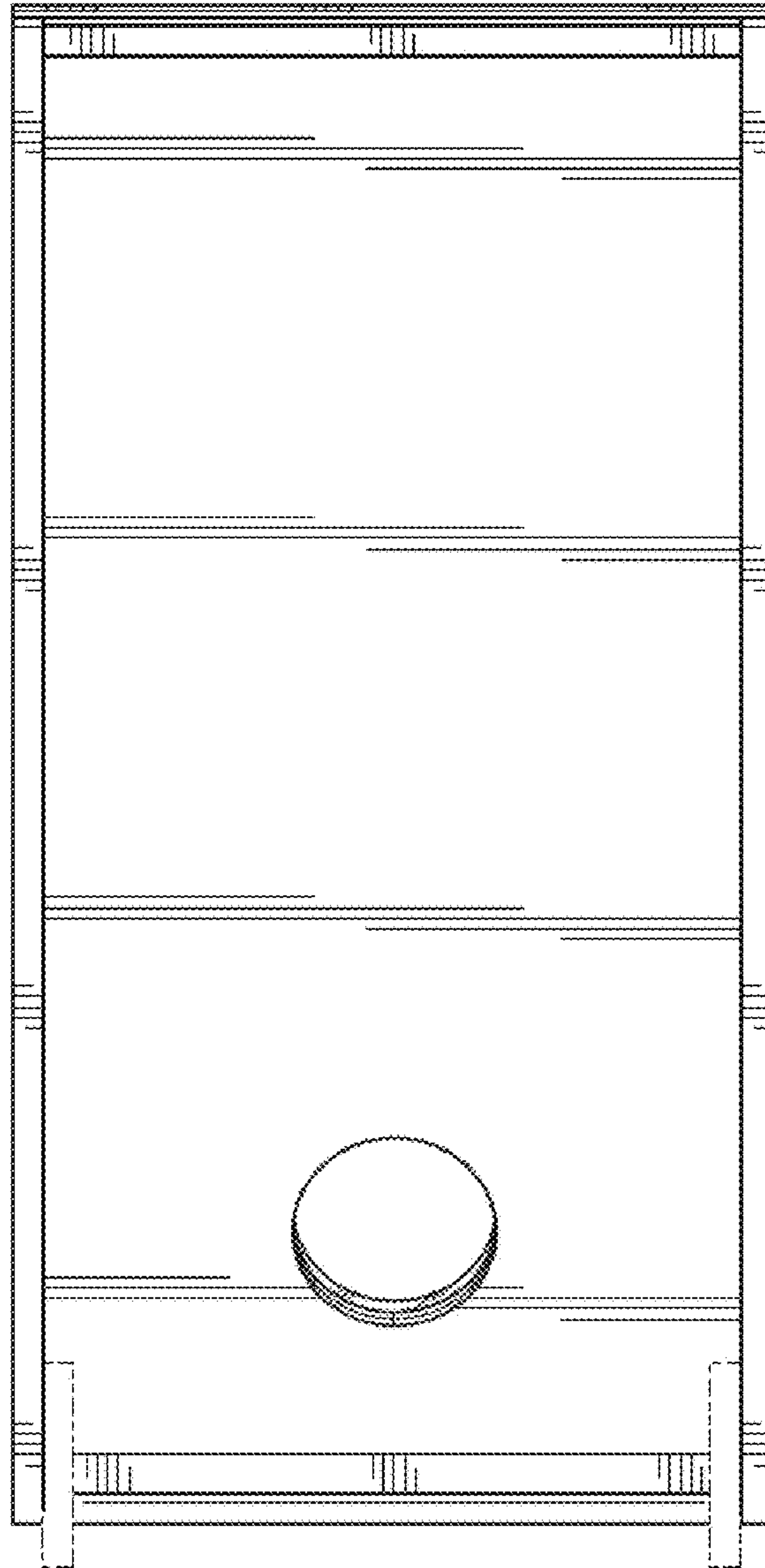


FIG. 12