



US00D807956S

(12) **United States Design Patent** (10) **Patent No.:** **US D807,956 S**
Brown et al. (45) **Date of Patent:** **** Jan. 16, 2018**

(54) **PRODUCTION PRINTING MACHINE**

(71) Applicant: **XEROX CORPORATION**, Norwalk, CT (US)

(72) Inventors: **Donald A Brown**, Honeoye Falls, NY (US); **William T Clark, III**, Pittsford, NY (US); **Makoto Kemmochi**, Kanagawa (JP); **Hiroshi Nakada**, Kanagawa (JP)

(73) Assignee: **Xerox Corporation**, Norwalk, CT (US)

(**) Term: **15 Years**

(21) Appl. No.: **29/594,196**

(22) Filed: **Feb. 16, 2017**

(51) **LOC (11) Cl.** **18-02**

(52) **U.S. Cl.**
USPC **D18/53**

(58) **Field of Classification Search**
USPC D18/53, 50, 54, 56, 59, 36, 38, 39, 40, D18/41, 45, 34.4, 34.5, 34.6; D14/301, D14/307

CPC G06K 15/12; G06K 15/14; H04N 1/00204; H04N 1/00249; H04N 1/00278; B41J 3/00; B41J 3/28; B41J 3/445; B41J 3/46
See application file for complete search history.

(56) **References Cited**

U.S. PATENT DOCUMENTS

D176,027 S *	11/1955	Kress	D18/53
D195,559 S *	7/1963	Van Der Linden	D18/53
D377,945 S *	2/1997	Bornhorst, Jr.	D18/57
D381,682 S *	7/1997	Bornhorst, Jr.	D18/57
D455,456 S *	4/2002	Angelbeck	D18/57
D544,534 S *	6/2007	Reece	D18/53
D625,756 S *	10/2010	Penke	D18/39
D648,380 S *	11/2011	Clark, III	D18/53

D650,417 S *	12/2011	Brown	D18/53
D666,666 S *	9/2012	Brown	D18/53
D689,544 S *	9/2013	Penke	D18/50
D780,256 S *	2/2017	Clark, III	D18/53
2010/0059920 A1 *	3/2010	Kern	B65H 1/025 271/2

FOREIGN PATENT DOCUMENTS

DK	MR199500566-0001	*	9/1995
JP	D1570855	*	3/2017

OTHER PUBLICATIONS

YouTube. <URL: <https://www.youtube.com/watch?v=jZn4gWl0lc8>.> Apr. 21, 2016. Xerox Brenva HD Production Inkjet Press.*

* cited by examiner

Primary Examiner — Thomas Johannes

Assistant Examiner — Lauren McVey

(57) **CLAIM**

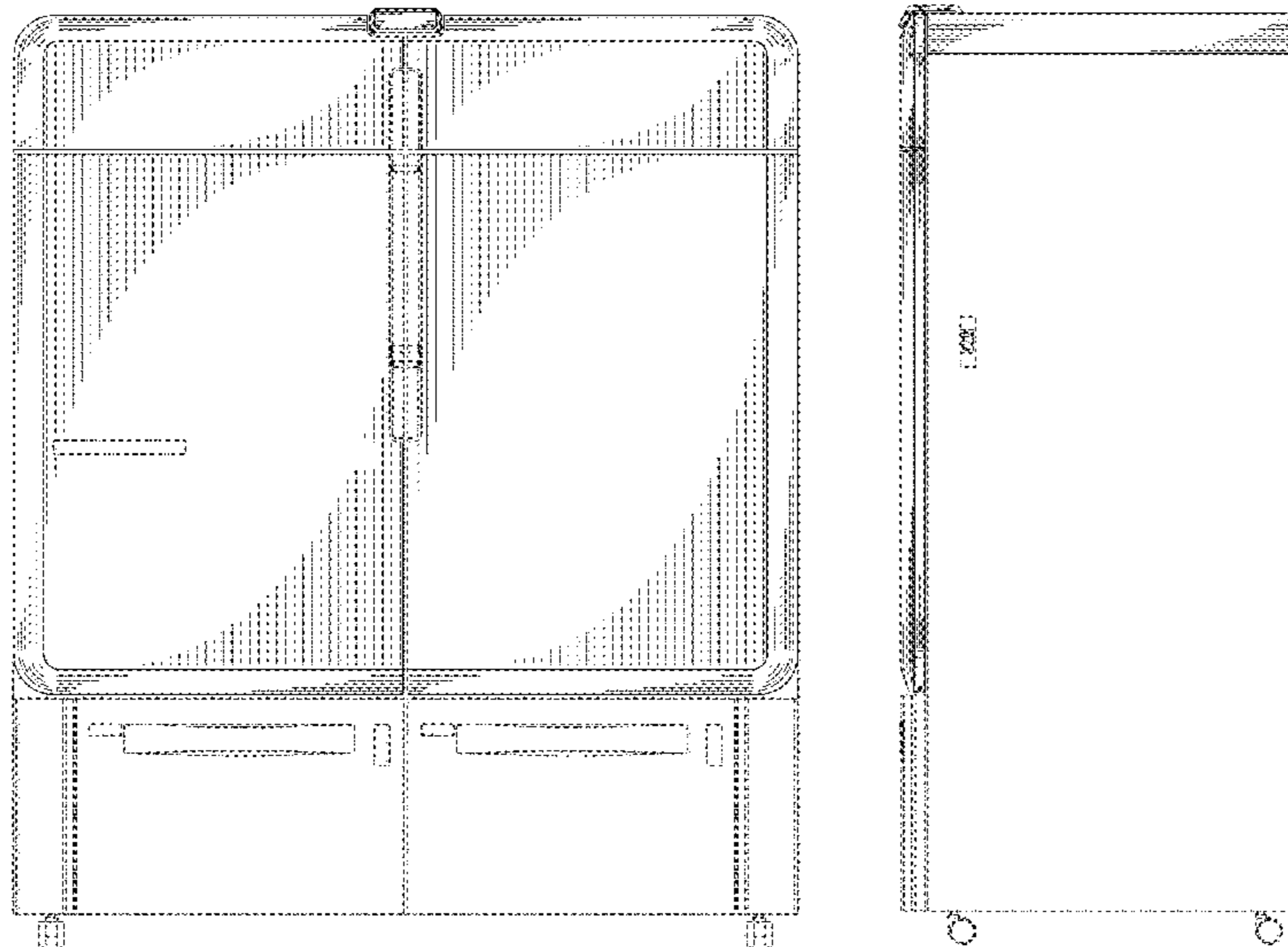
The ornamental design for a production printing machine, as shown and described.

DESCRIPTION

FIG. 1 is a perspective view of a production printing machine, showing our new design; FIG. 2 is a front view thereof; FIG. 3 is a right side view thereof; FIG. 4 is a rear view thereof; FIG. 5 is a left side view thereof; FIG. 6 is a top plan view thereof; and, FIG. 7 is a bottom plan view thereof.

The broken lines immediately adjacent the shaded areas represent the bounds of the claimed design while all other broken lines are directed to environment and are for illustrative purposes only; the broken lines form no part of the claimed design.

1 Claim, 6 Drawing Sheets



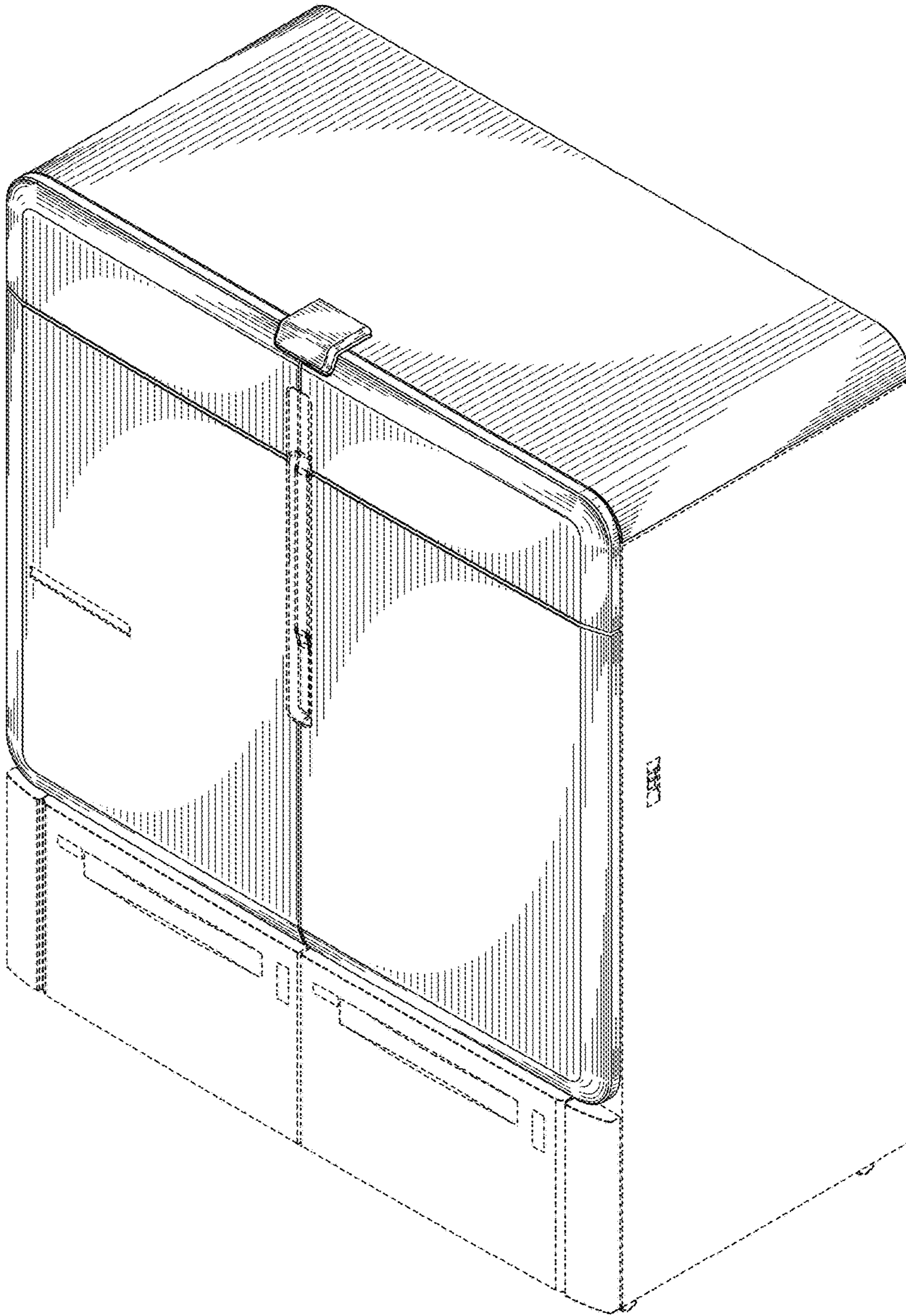


FIG. 1

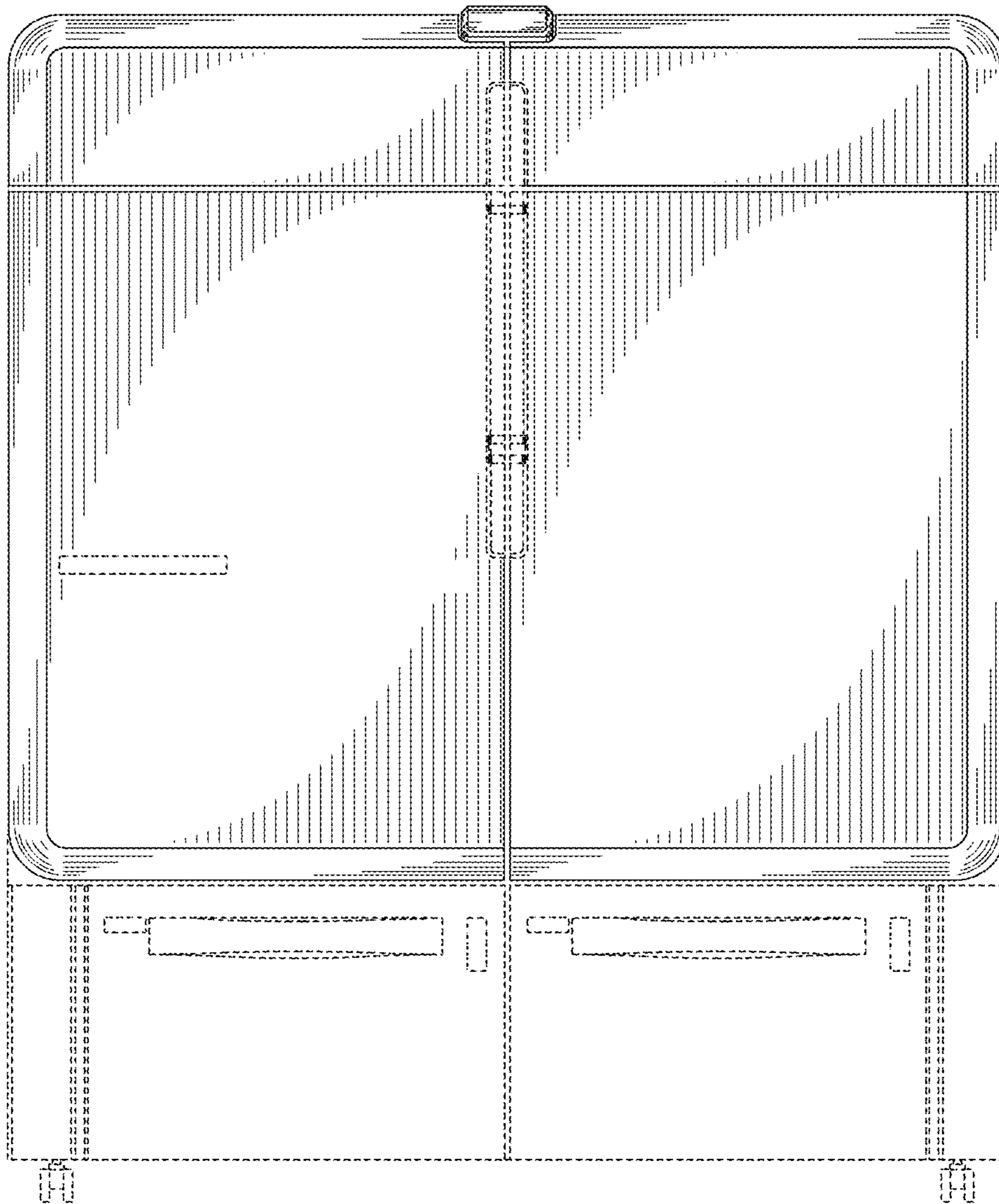


FIG. 2

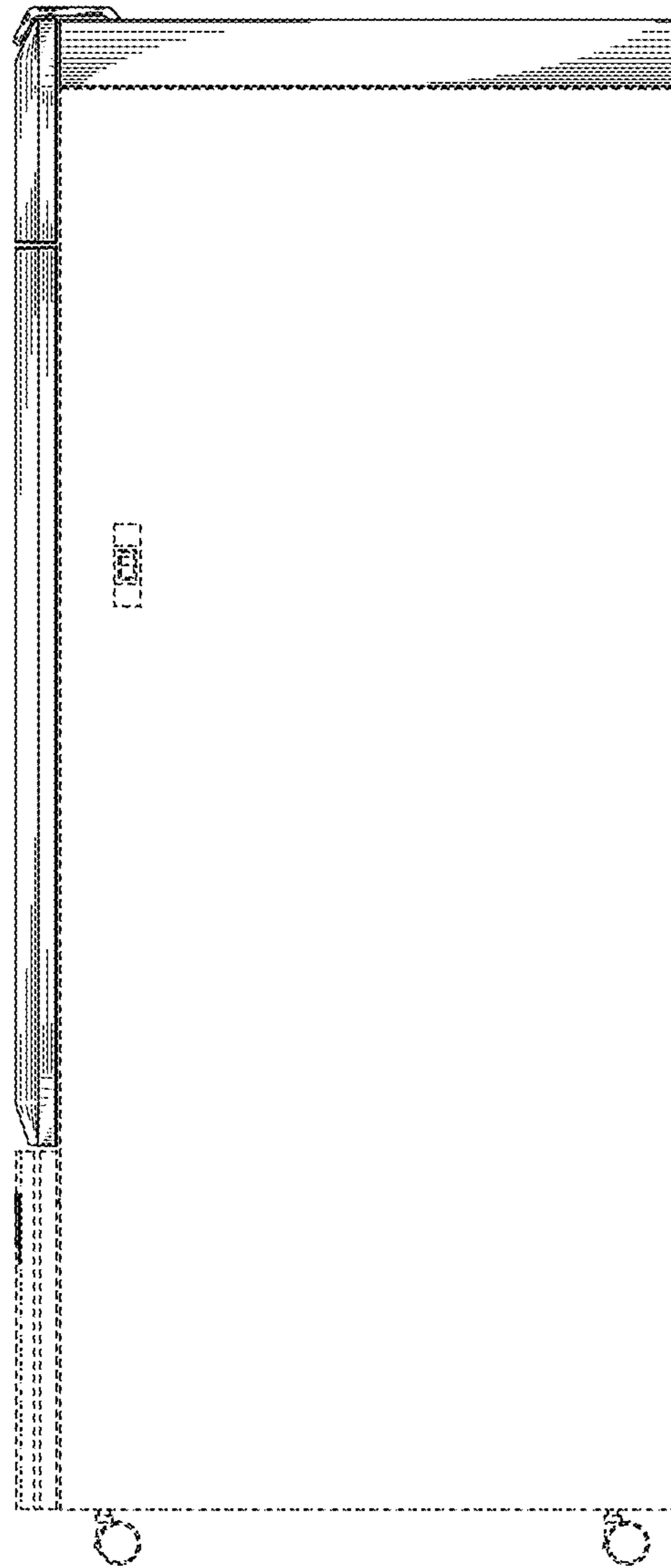


FIG. 3



FIG. 4

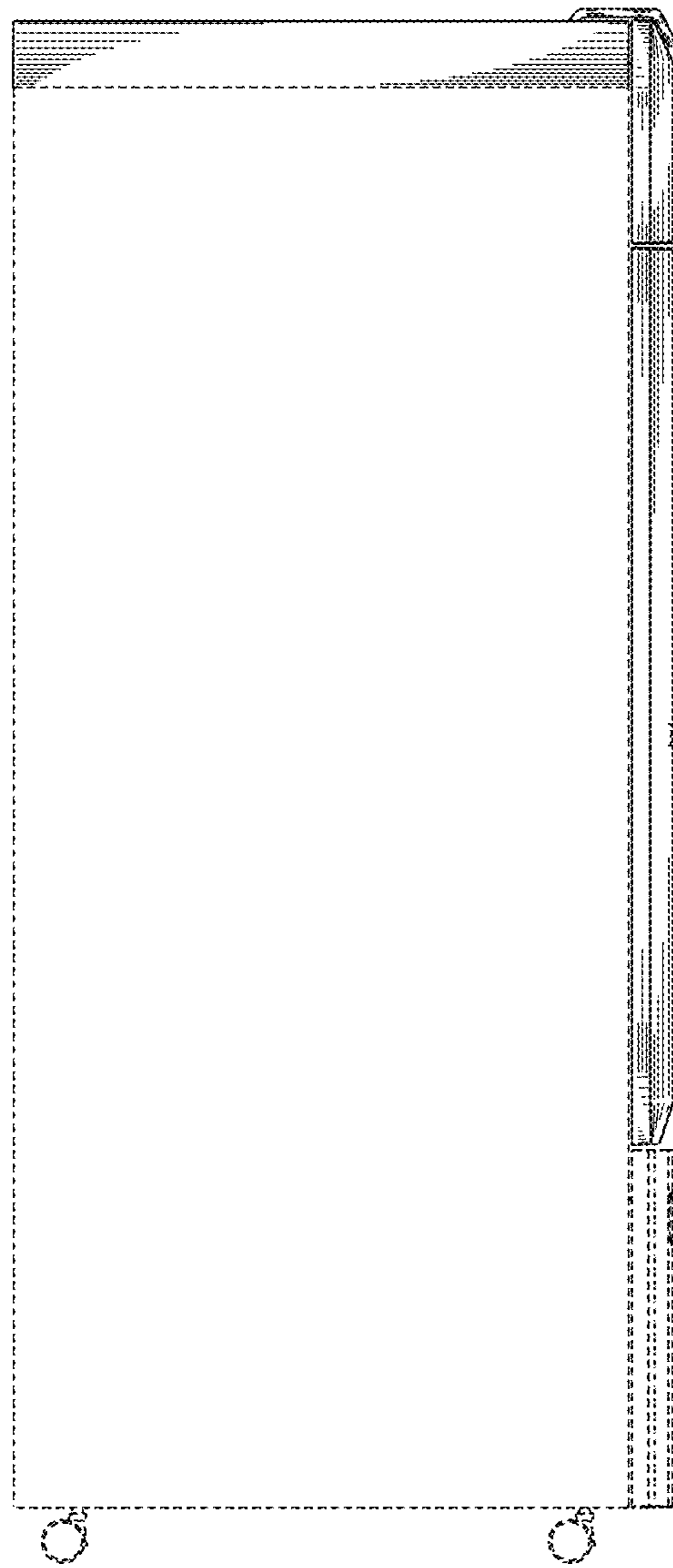


FIG. 5

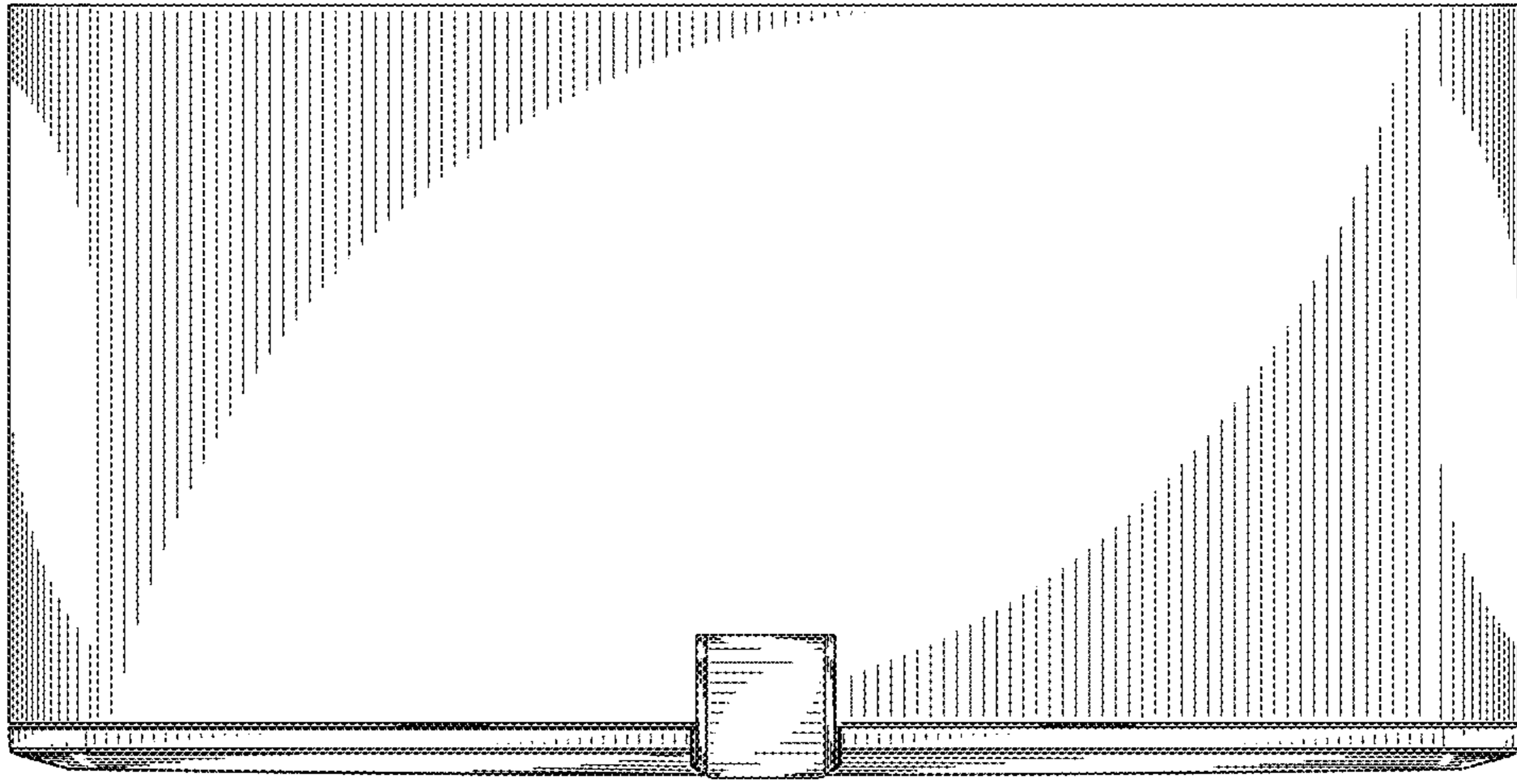


FIG. 6

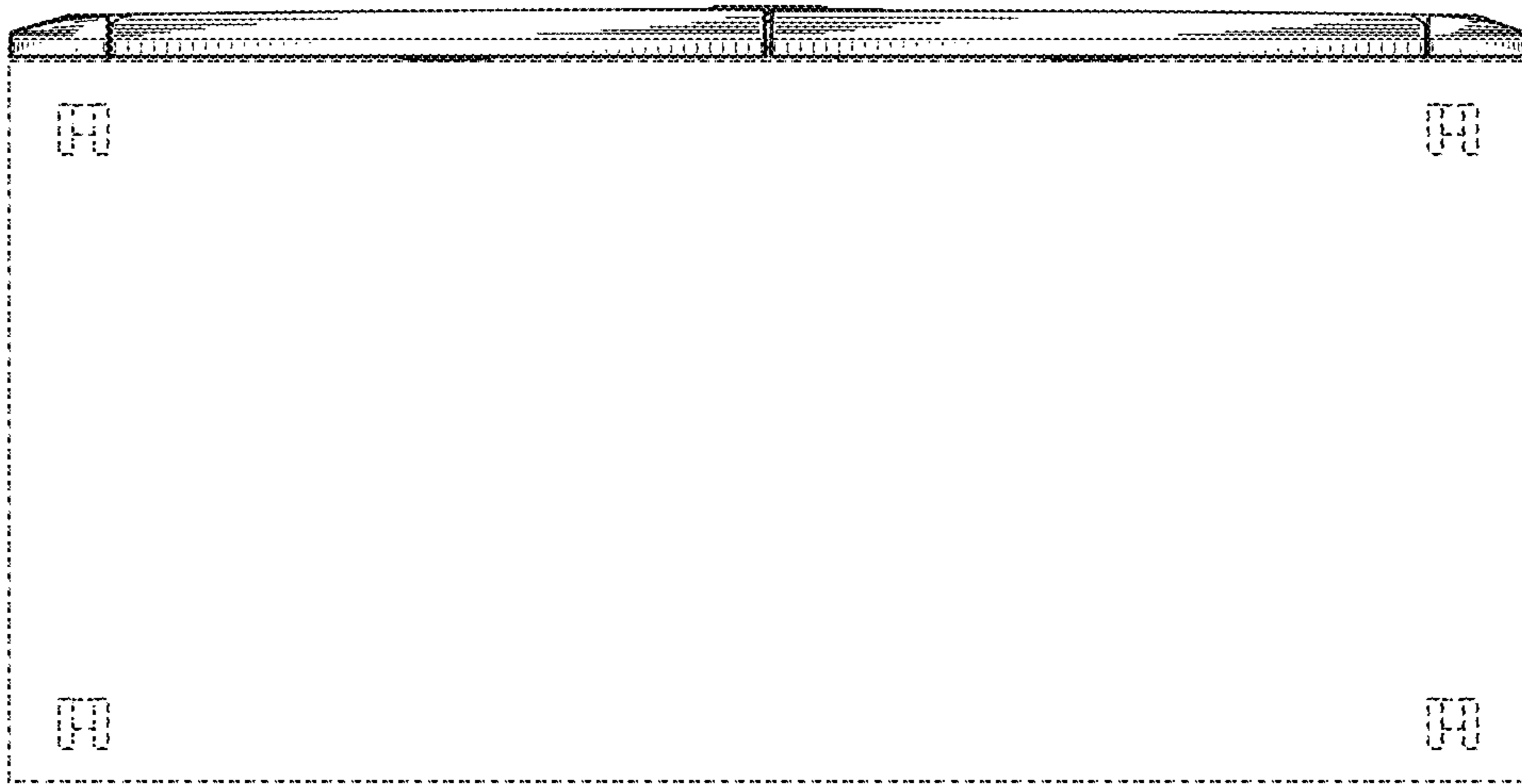


FIG. 7