



US00D807955S

(12) **United States Design Patent**
Toba et al.

(10) **Patent No.:** **US D807,955 S**
(45) **Date of Patent:** **** Jan. 16, 2018**

(54) **SIDE COVER FOR PROCESS CARTRIDGE FOR IMAGE FORMING DEVICE**

(71) Applicant: **Canon Kabushiki Kaisha**, Ohta-ku, Tokyo (JP)

(72) Inventors: **Shinjiro Toba**, Yokohama (JP);
Masanari Morioka, Yokohama (JP);
Tetsushi Uneme, Kawasaki (JP);
Yuichi Fukui, Yokosuka (JP)

(73) Assignee: **Canon Kabushiki Kaisha**, Tokyo (JP)

(**) Term: **15 Years**

(21) Appl. No.: **29/546,569**

(22) Filed: **Nov. 24, 2015**

(30) **Foreign Application Priority Data**

May 27, 2015 (JP) 2015-011638

(51) **LOC (11) Cl.** **16-03**

(52) **U.S. Cl.**
USPC **D18/43**

(58) **Field of Classification Search**
USPC D18/12, 18, 36, 43, 56, 99; D14/309,
D14/332, 471; 399/11, 92, 106, 110,
399/111; 222/DIG. 1
See application file for complete search history.

(56) **References Cited**

U.S. PATENT DOCUMENTS

D285,576 S * 9/1986 LaSpesa D18/12
D344,755 S * 3/1994 Yamazaki 400/196
D355,671 S * 2/1995 Onumata D18/12
6,016,413 A * 1/2000 Yokoyama G03G 21/181
29/469
6,442,359 B1 * 8/2002 Numagami G03G 21/1821
399/111

6,587,660 B2 * 7/2003 Ueno G03G 15/0822
399/111
6,980,755 B2 * 12/2005 Numagami G03G 15/0894
399/109
7,826,779 B2 * 11/2010 Mase G03G 21/1817
399/111
D665,020 S * 8/2012 Sodeyama D18/56
D695,819 S * 12/2013 Finney D18/12
D720,396 S * 12/2014 Torimoto D18/43
9,128,415 B2 * 9/2015 Takami G03G 15/0886
D752,136 S * 3/2016 Koido D18/43

(Continued)

OTHER PUBLICATIONS

S. Toba, U.S. Appl. 29/546,568, filed Nov. 24, 2015.

Primary Examiner — Barbara Fox

Assistant Examiner — Mary C Ramirez

(74) *Attorney, Agent, or Firm* — Fitzpatrick, Cella, Harper & Scinto

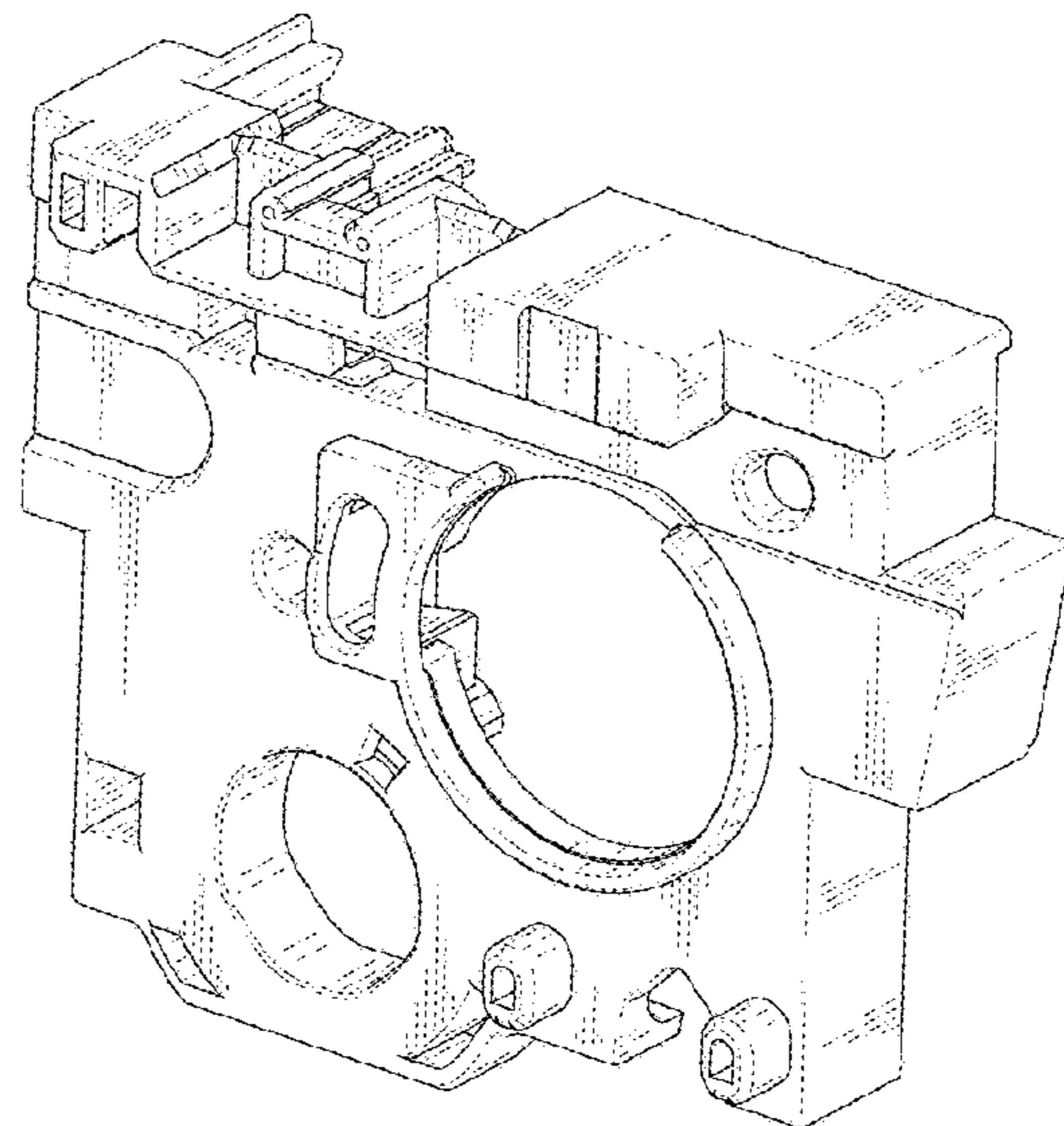
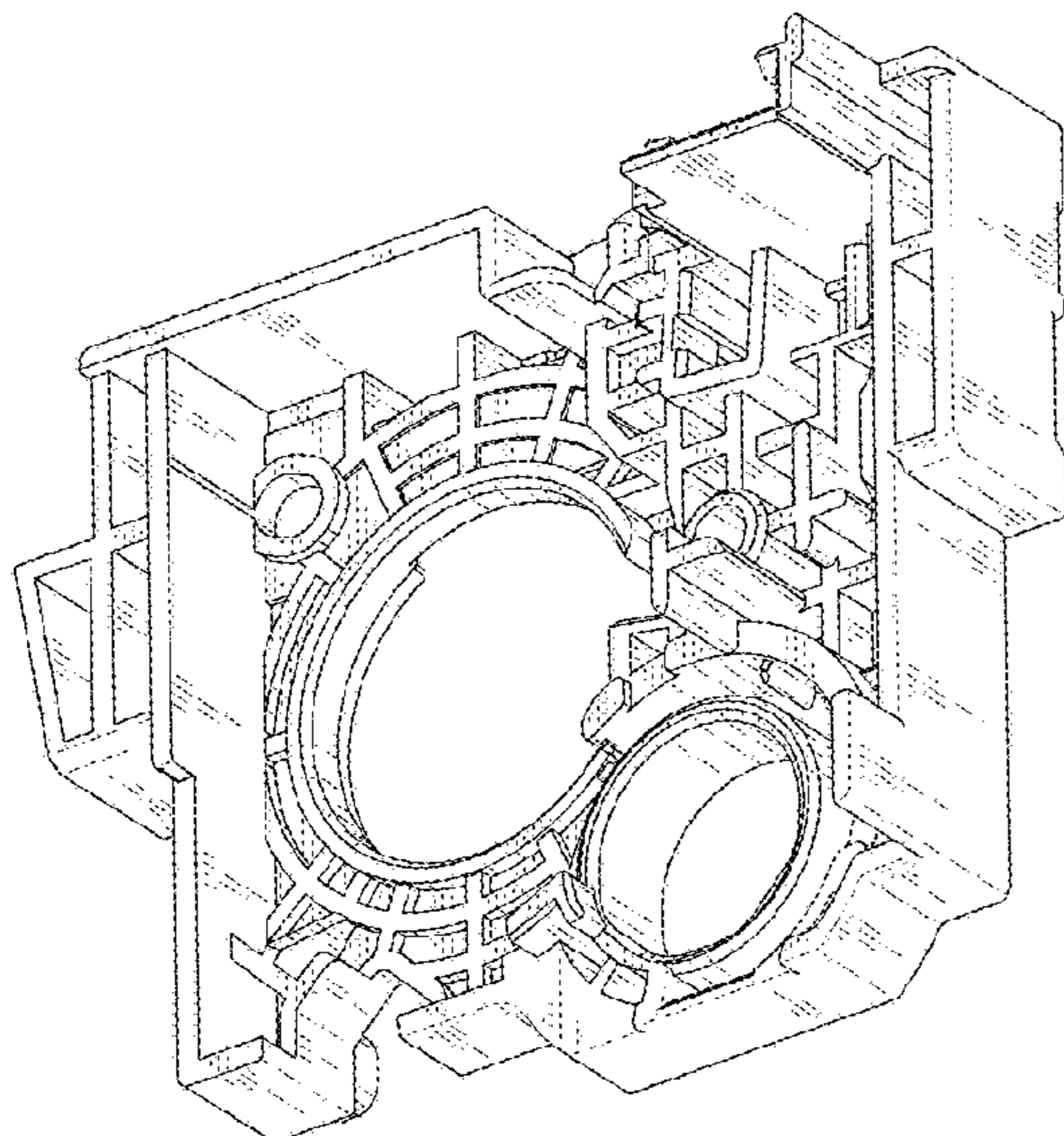
(57) **CLAIM**

The ornamental design for a side cover for process cartridge for image forming device, as shown and described.

DESCRIPTION

FIG. 1 is a front view of a side cover for process cartridge for image forming device showing our new design; FIG. 2 is a rear view thereof; FIG. 3 is a top plan view thereof; FIG. 4 is a bottom plan view thereof; FIG. 5 is a left side view thereof; FIG. 6 is a right side view thereof; FIG. 7 is a front perspective view thereof; and, FIG. 8 is a rear perspective view thereof. The broken lines depict portions of the side cover for process cartridge for image forming device that form no part of the claimed design.

1 Claim, 6 Drawing Sheets



(56)

References Cited

U.S. PATENT DOCUMENTS

2002/0031374 A1* 3/2002 Matsuda G03G 15/0875
399/258
2013/0142542 A1* 6/2013 Sato G03G 21/12
399/106
2016/0202634 A1* 7/2016 Ukai G03G 21/1896
399/262

* cited by examiner

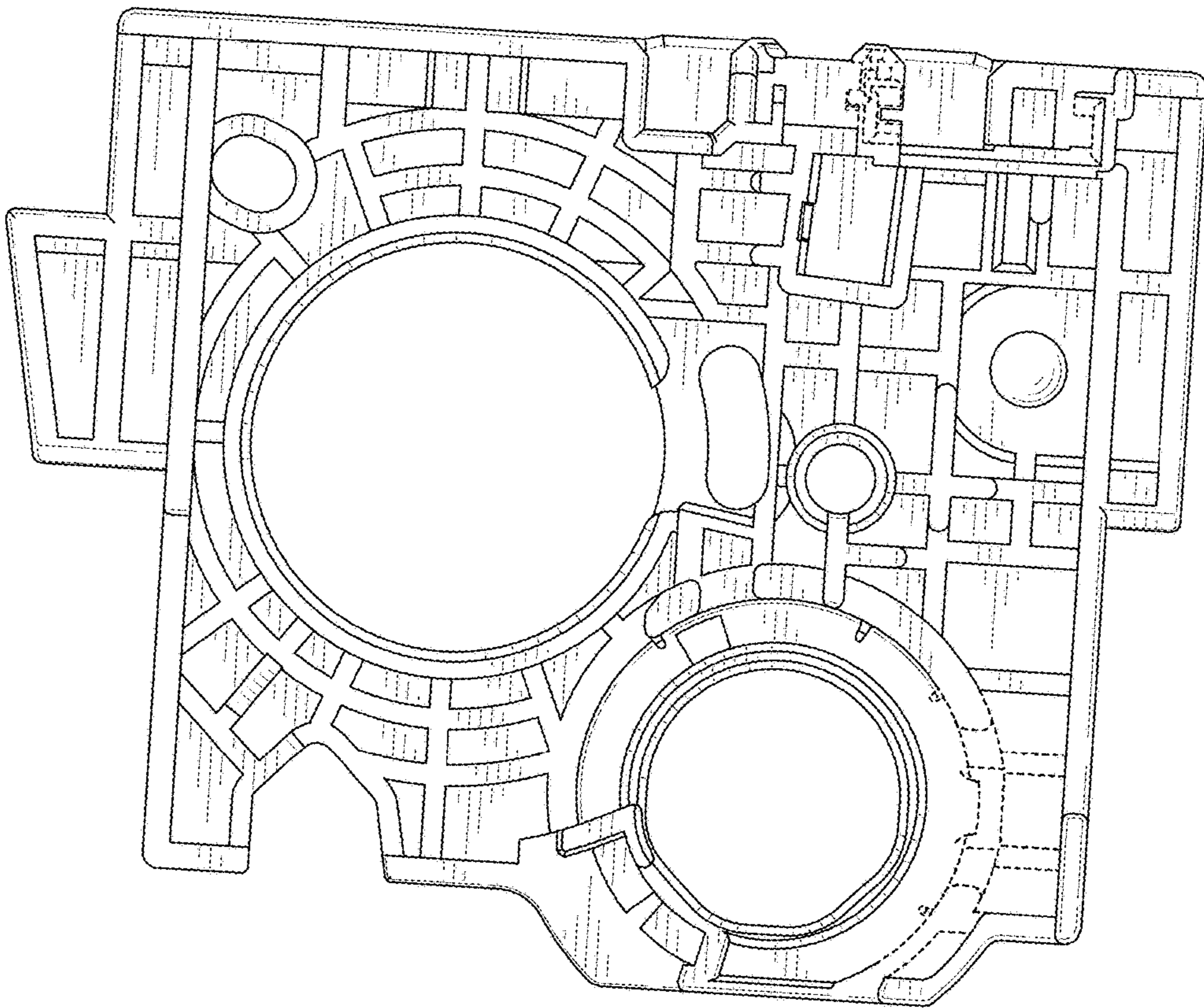


FIG. 1

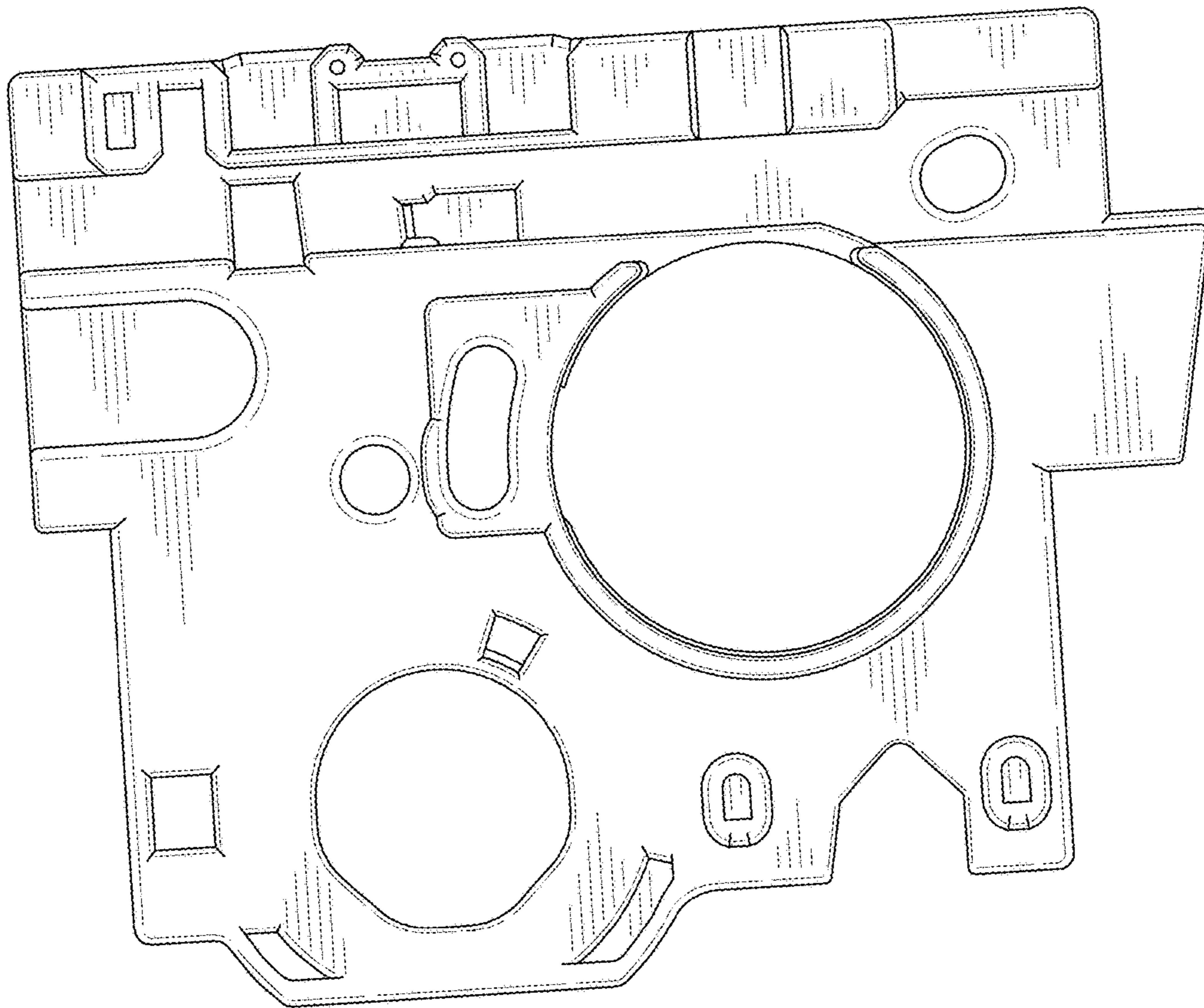


FIG. 2

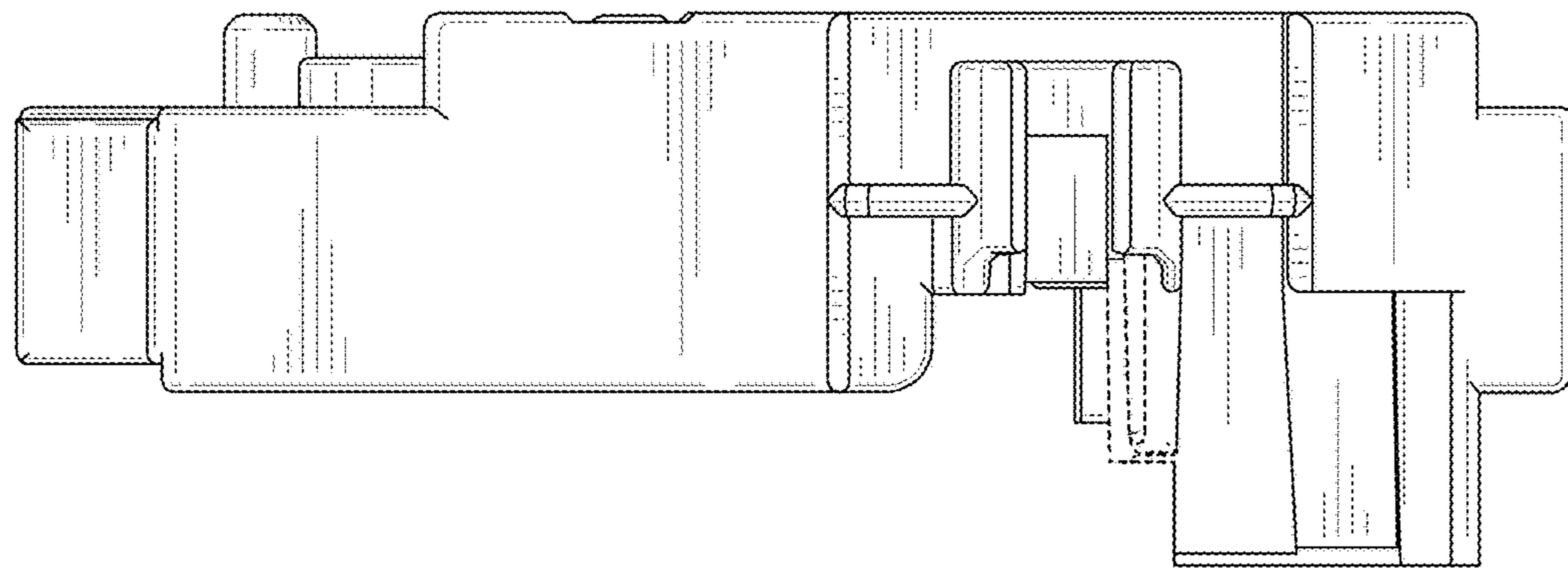


FIG. 3

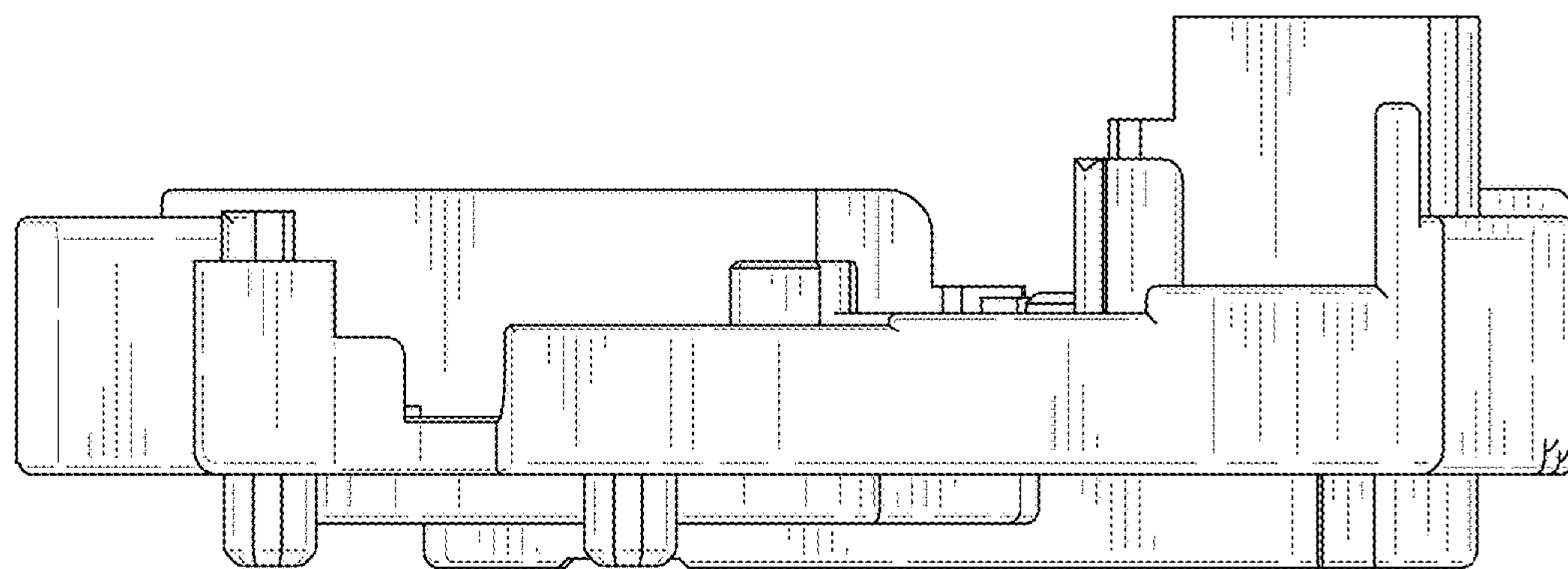


FIG. 4

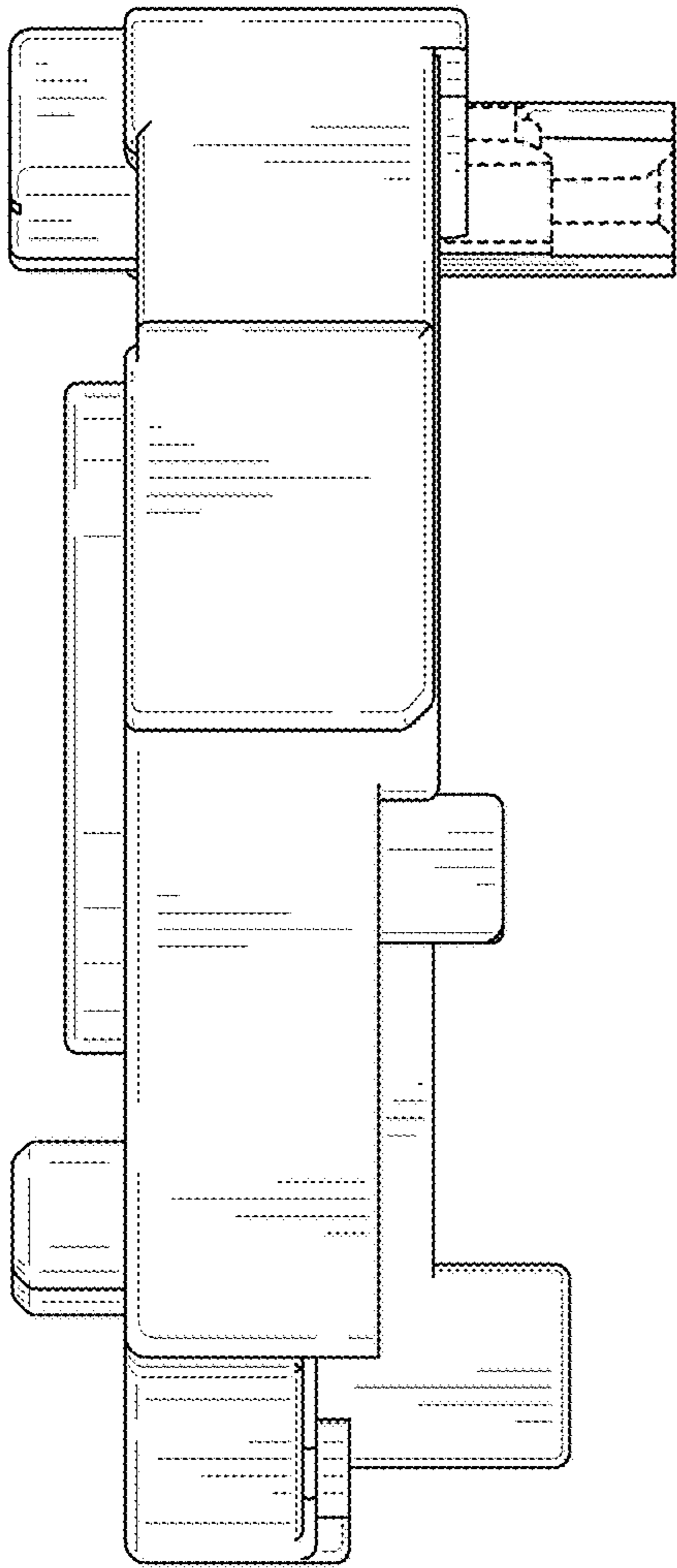


FIG. 5

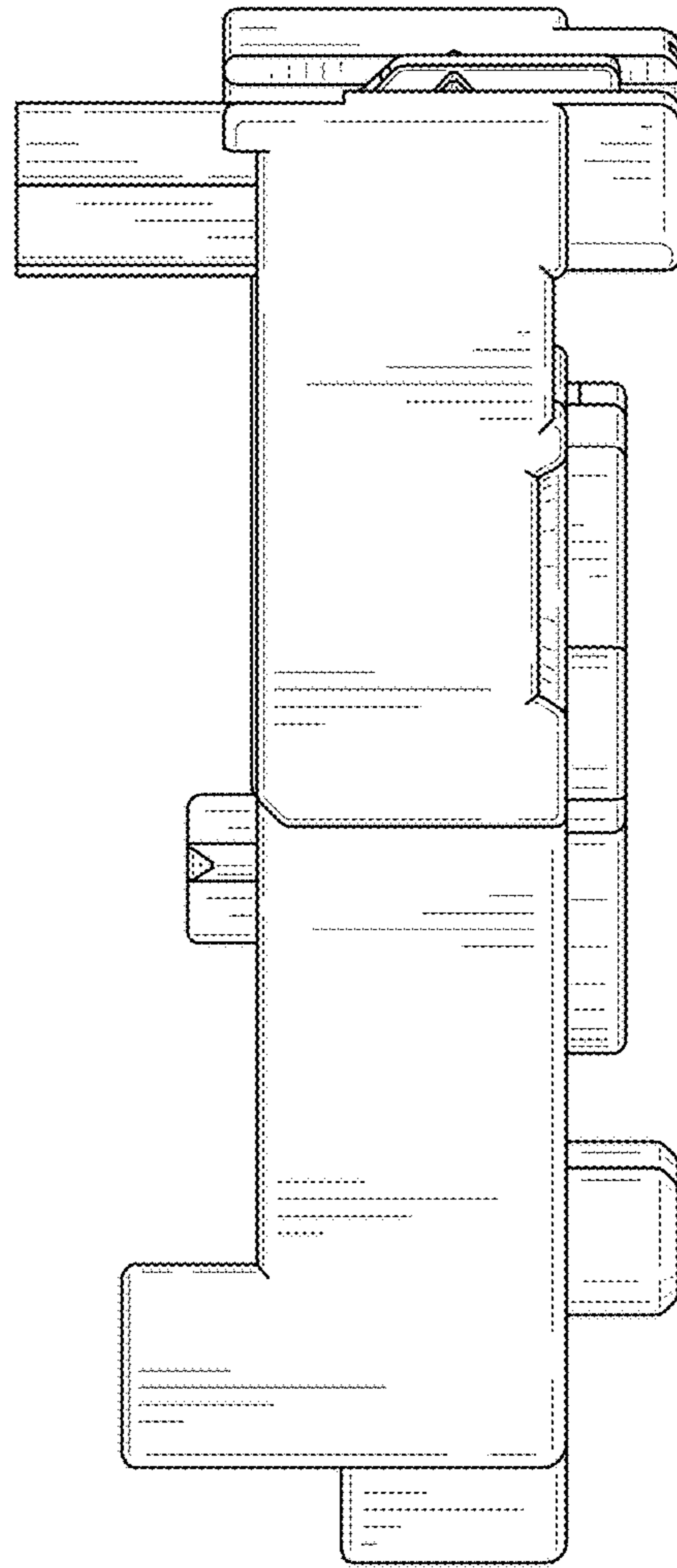


FIG. 6

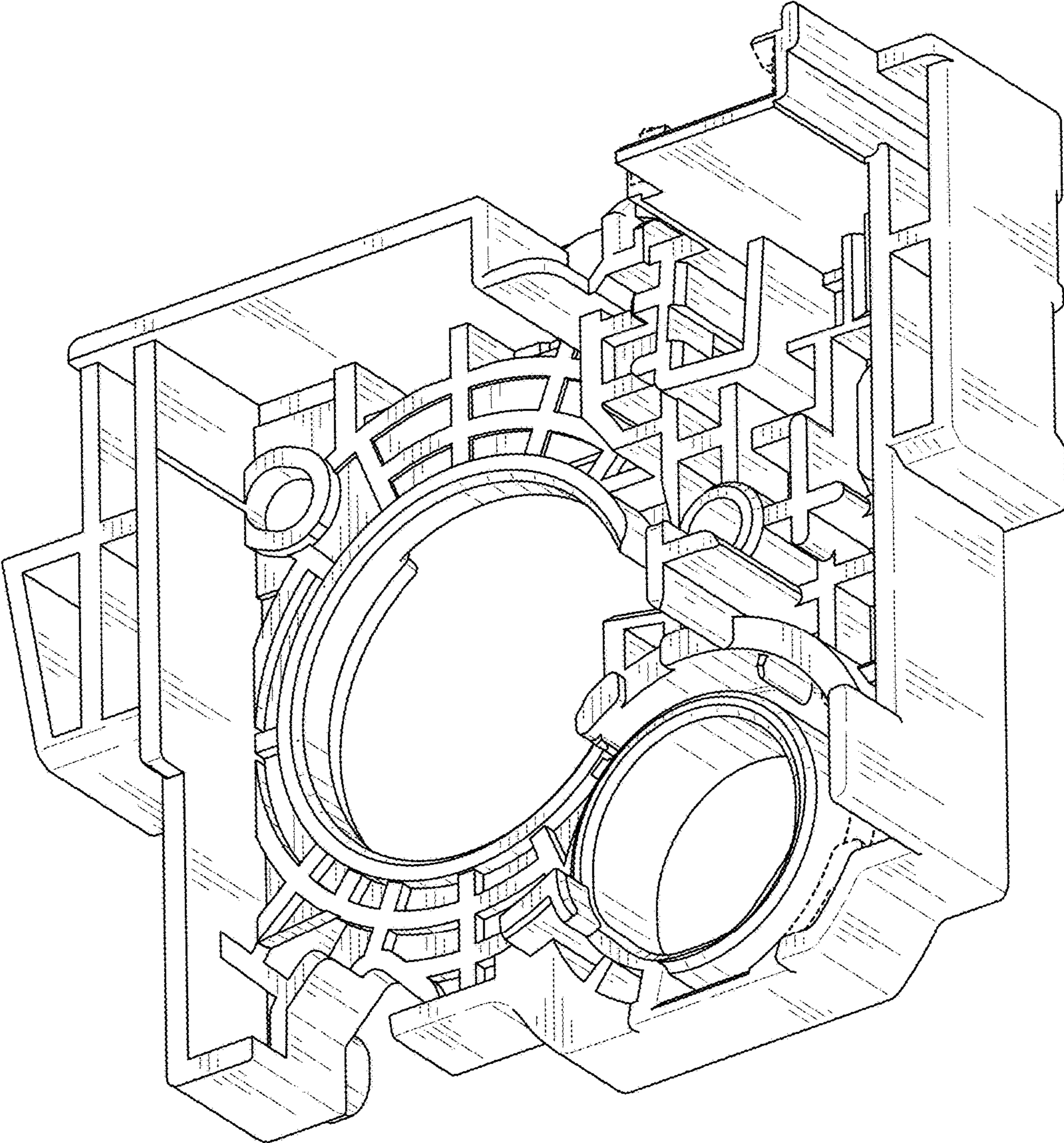


FIG. 7

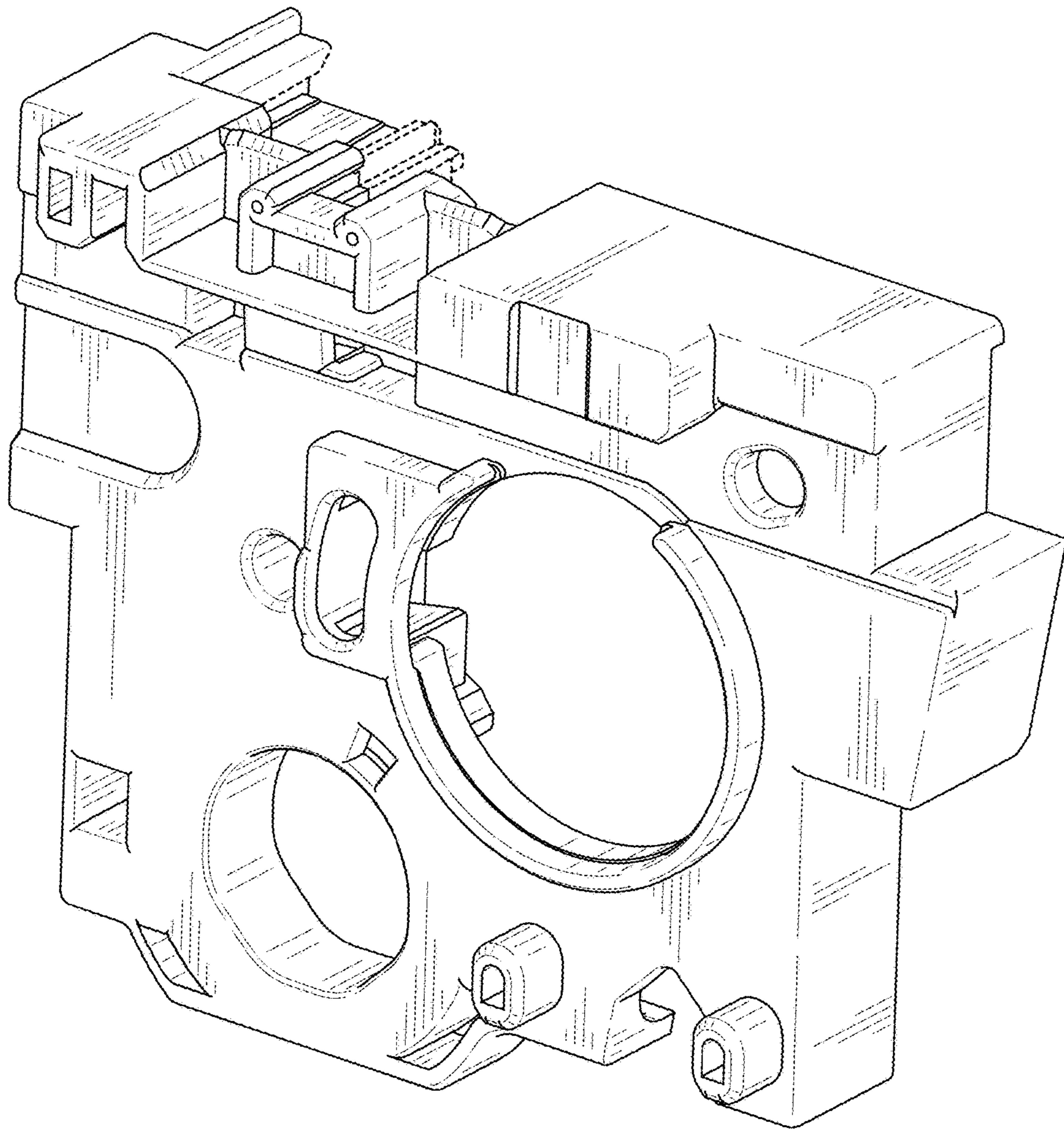


FIG. 8