



US00D807954S

(12) **United States Design Patent** (10) **Patent No.:** **US D807,954 S**  
**Murase** (45) **Date of Patent:** **\*\* Jan. 16, 2018**

(54) **TONER CARTRIDGE**

(56) **References Cited**

(71) Applicant: **S-Printing Solution Co., Ltd.**,  
Suwon-si (KR)

U.S. PATENT DOCUMENTS

(72) Inventor: **Hirokazu Murase**, Yokohama (JP)

D422,304 S *	4/2000	Suzuki	.....	D18/43
D539,335 S *	3/2007	Jeon	.....	D18/43
D588,633 S *	3/2009	Oda	.....	D18/43
D591,338 S *	4/2009	Kusudo	.....	D18/43
D601,183 S *	9/2009	Ishikawa	.....	D18/43
D638,054 S *	5/2011	Sato	.....	D18/43
D674,006 S *	1/2013	Ohta	.....	D18/43
D694,815 S *	12/2013	Fukamachi	.....	D18/43
D718,380 S *	11/2014	Mori	.....	D18/43
D785,082 S *	4/2017	Murase	.....	D18/43

(73) Assignee: **S-Printing Solution Co., Ltd.**,  
Suwon-si (KR)

(\*\*) Term: **15 Years**

\* cited by examiner

(21) Appl. No.: **29/531,254**

(22) Filed: **Jun. 24, 2015**

*Primary Examiner* — Wan Laymon  
*Assistant Examiner* — Clint A Samuel  
(74) *Attorney, Agent, or Firm* — NSIP Law

(30) **Foreign Application Priority Data**

Dec. 26, 2014 (KR) ..... 30-2014-0063358

(51) **LOC (11) Cl.** ..... **16-03**

(52) **U.S. Cl.**  
USPC ..... **D18/43**

(57) **CLAIM**

I claim the ornamental design for a toner cartridge, as shown and described.

(58) **Field of Classification Search**

USPC ..... D14/471, 474, 475; D16/246; D18/12,  
D18/36-39, 40, 43, 44, 49, 50-59;  
347/121, 122, 222-224; 399/24-30,  
399/107-125, 222-224, 252-262,  
399/343-360; 222/DIG. 1  
CPC .... G03G 15/00; G03G 15/08; G03G 15/0815;  
G03G 15/0142; G03G 21/08; G03G  
21/1814; G03G 21/1835; G03G 21/185;  
G03G 21/1842; G03G 21/1857; G03G  
21/1853; G03G 21/16-21/18; G06K  
15/12; G06K 15/14; H04N 1/00129;  
H04N 1/00278; H04N 1/00135; B41J  
11/00; B41J 3/00; B41J 3/28

**DESCRIPTION**

FIG. 1 is a front perspective view of a toner cartridge showing my new design;  
FIG. 2 is a front view thereof;  
FIG. 3 is a rear view thereof;  
FIG. 4 is a left-side view thereof;  
FIG. 5 is a right-side view thereof;  
FIG. 6 is a top view thereof; and,  
FIG. 7 is a bottom view thereof.  
The broken lines illustrating portions of the toner cartridge are for environmental purposes only and form no part of the claimed design.

See application file for complete search history.

**1 Claim, 4 Drawing Sheets**

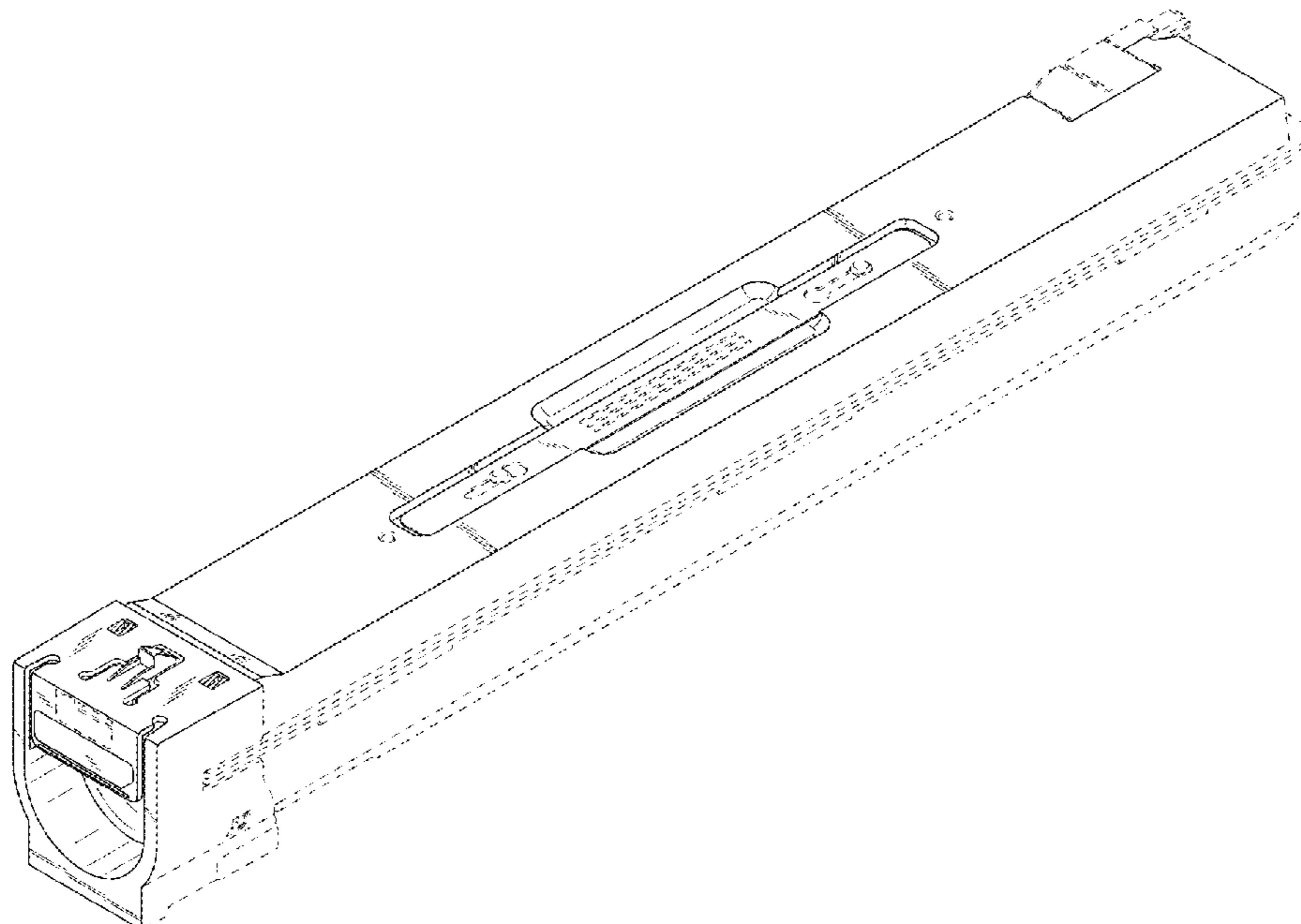


FIG.1

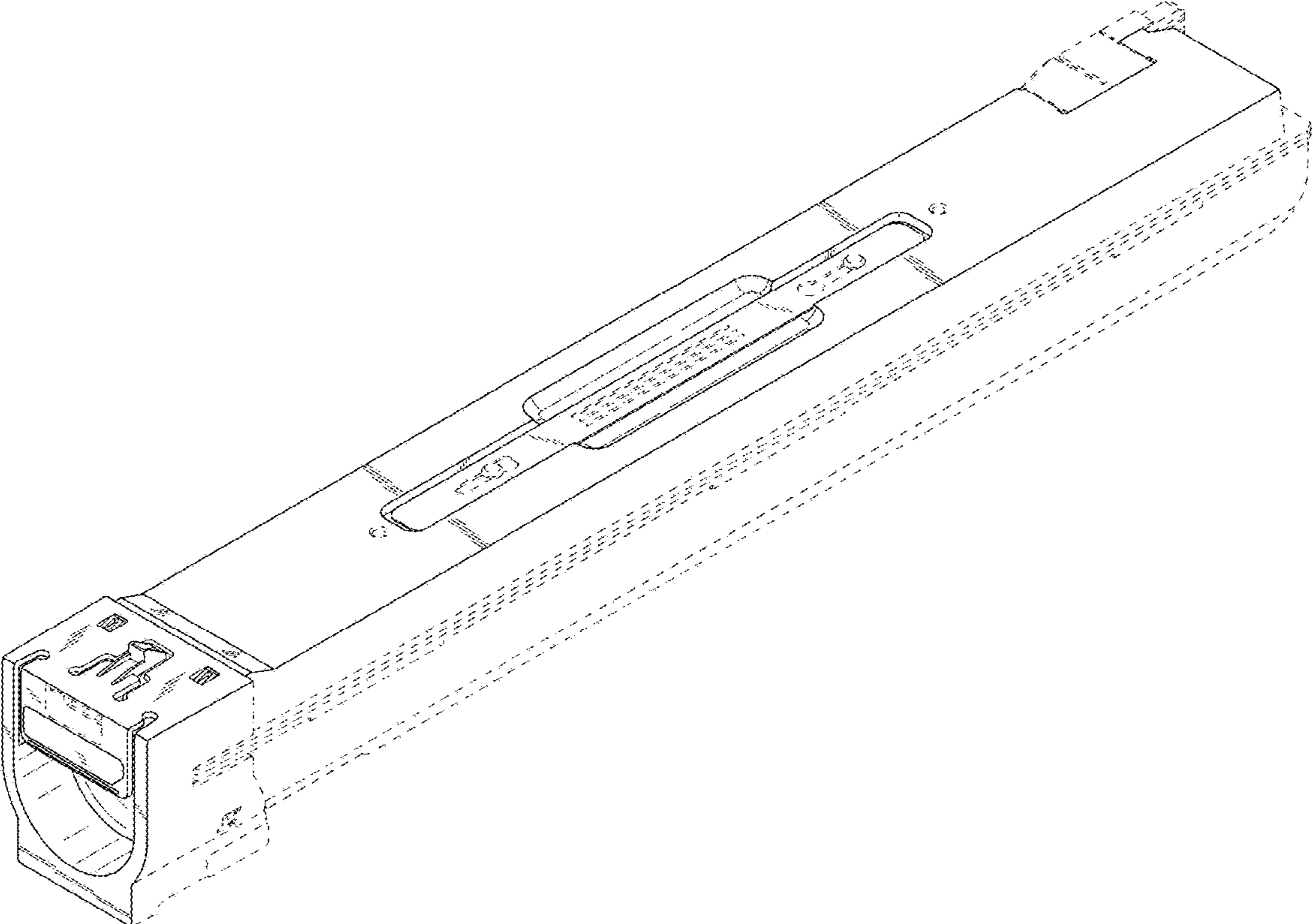


FIG.2

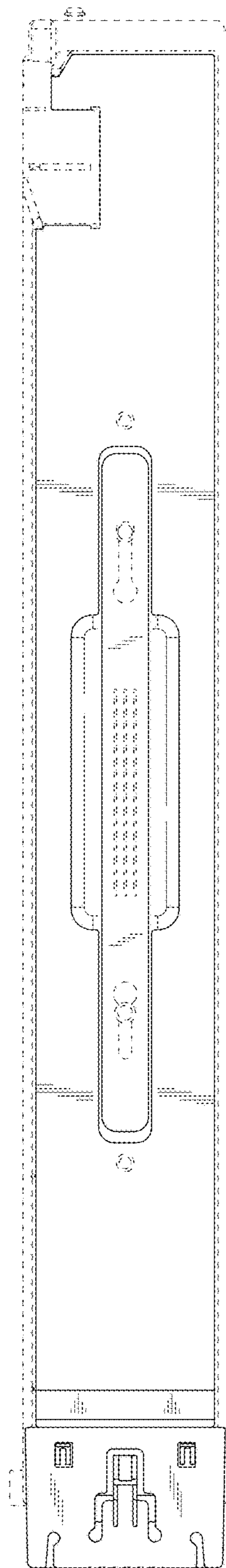


FIG.3

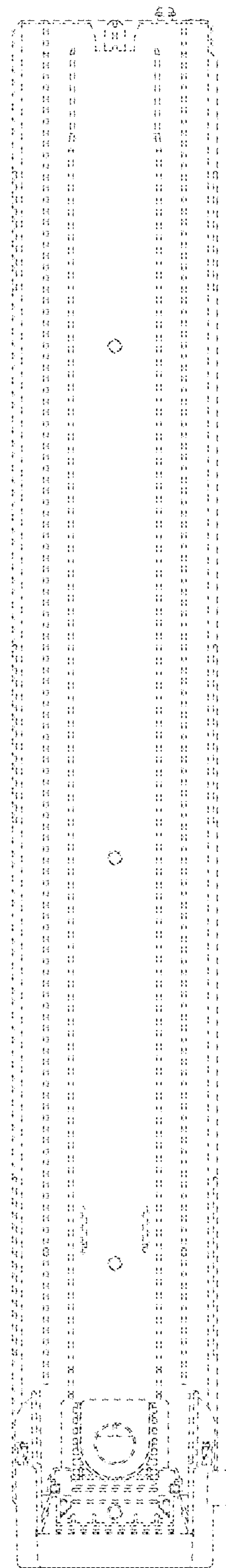


FIG.4

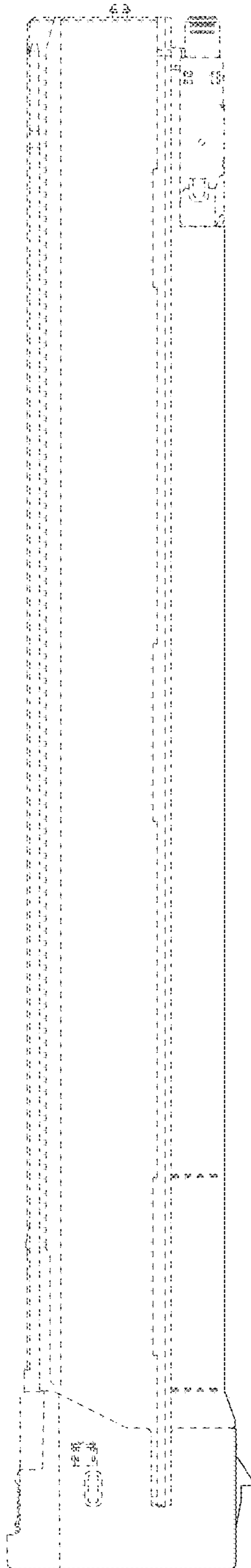


FIG.5

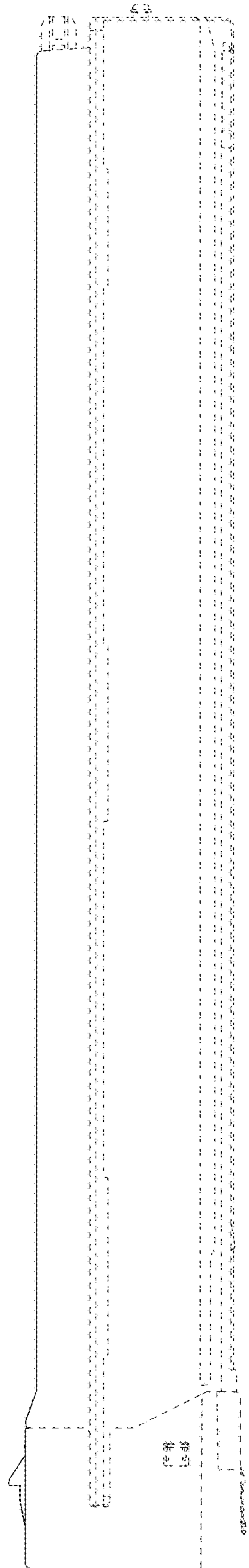


FIG.6

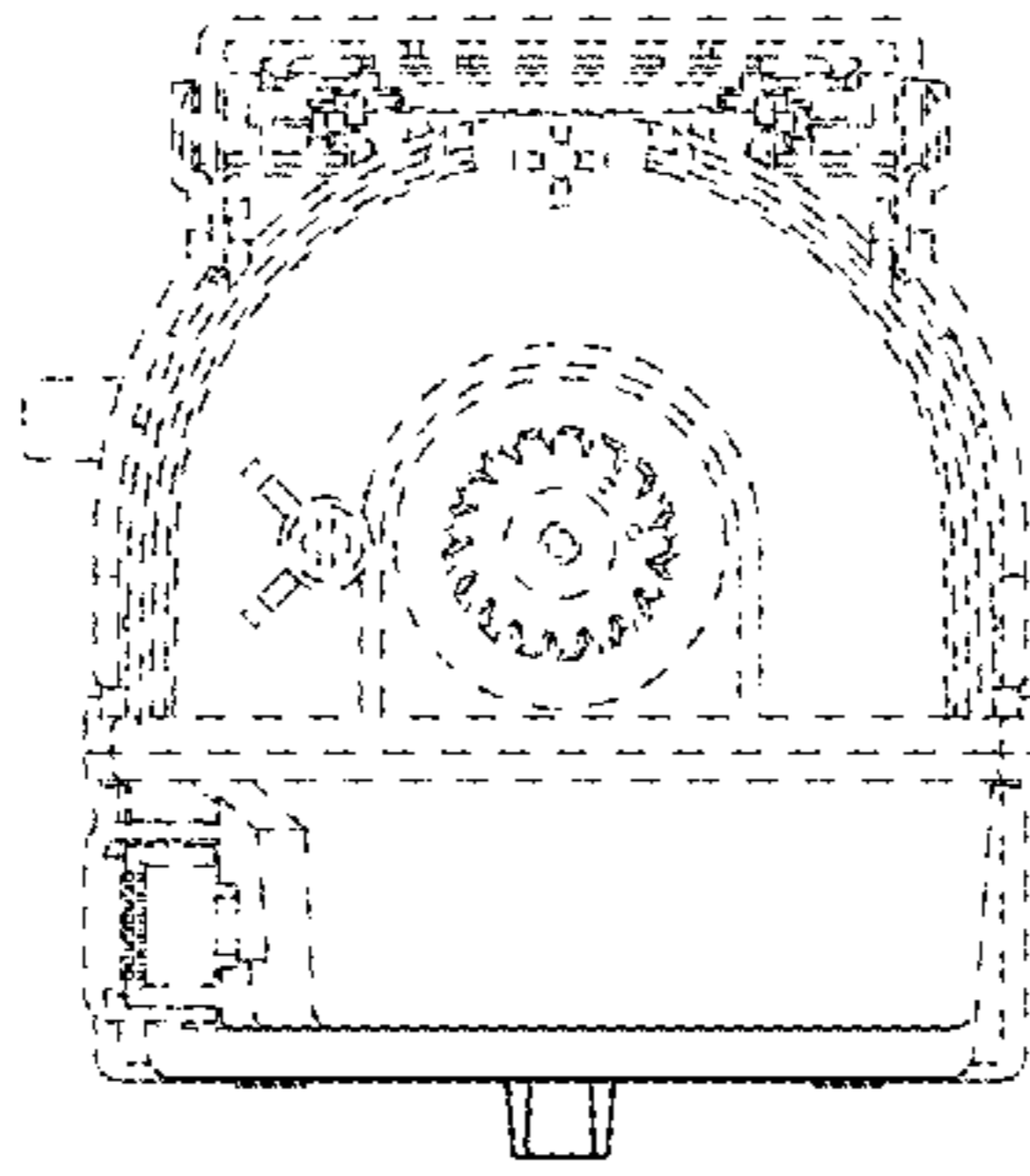


FIG.7

