



US00D807953S

(12) **United States Design Patent**
Moon et al.

(10) **Patent No.:** **US D807,953 S**
(45) **Date of Patent:** **** Jan. 16, 2018**

(54) **TONER CARTRIDGE FOR PRINTER**

(71) Applicant: **S-Printing Solution Co., Ltd.**,
Suwon-si, Gyeonggi-do (KR)

(72) Inventors: **Ji-Won Moon**, Anyang-si (KR);
Seung-Chan Park, Hwaseong-si (KR);
Dong-Cheol Ahn, Yongin-si (KR)

(73) Assignee: **S-PRINTING SOLUTION CO., LTD.**,
Suwon-si (KR)

(**) Term: **14 Years**

(21) Appl. No.: **29/513,194**

(22) Filed: **Dec. 29, 2014**

Related U.S. Application Data

(63) Continuation of application No. 29/468,400, filed on
Sep. 30, 2013, now Pat. No. Des. 727,411.

(30) **Foreign Application Priority Data**

Apr. 1, 2013 (KR) 30-2013-0016515

(51) **LOC (11) Cl.** **18-02**

(52) **U.S. Cl.**
USPC **D18/43**

(58) **Field of Classification Search**
USPC D14/129, 130, 299, 301, 370, 462-471;
D18/36, 37, 39-56
CPC G03G 5/00; G03G 5/005; G03G 5/09;
G03G 5/093; G03G 9/08; G03G 9/083;
G03G 9/087; G03G 9/08755; G03G 9/16;
G03G 15/50; G03G 15/5016; G03G
15/0832

See application file for complete search history.

(56) **References Cited**

U.S. PATENT DOCUMENTS

D309,323 S * 7/1990 Craft D18/40
D374,455 S * 10/1996 Senshiki D18/40

D397,140 S 8/1998 Oshida
D418,156 S * 12/1999 Maeda D18/43
D501,022 S * 1/2005 Saiki D18/40
D509,533 S * 9/2005 Karakama D18/40
D523,894 S * 6/2006 Ishii D18/40
D531,661 S 11/2006 Ishii et al.
D533,215 S 12/2006 Ishii et al.
D539,335 S 3/2007 Jeon et al.
D544,528 S * 6/2007 Kim D18/43
D550,765 S * 9/2007 Ishikawa D18/43
D577,061 S 9/2008 Kim
D585,482 S * 1/2009 Kubota D18/43
D585,483 S * 1/2009 Sakabe D18/43
D594,899 S * 6/2009 Ogasawara D18/43
D598,491 S * 8/2009 Kusudo D18/43
D622,309 S 8/2010 Kubota et al.
D632,731 S * 2/2011 Abe D18/43
D647,956 S * 11/2011 Kweon D18/43

(Continued)

Primary Examiner — Susan E Krakower

Assistant Examiner — L. A. Grabenstetter

(74) *Attorney, Agent, or Firm* — Cantor Colburn LLP

(57) **CLAIM**

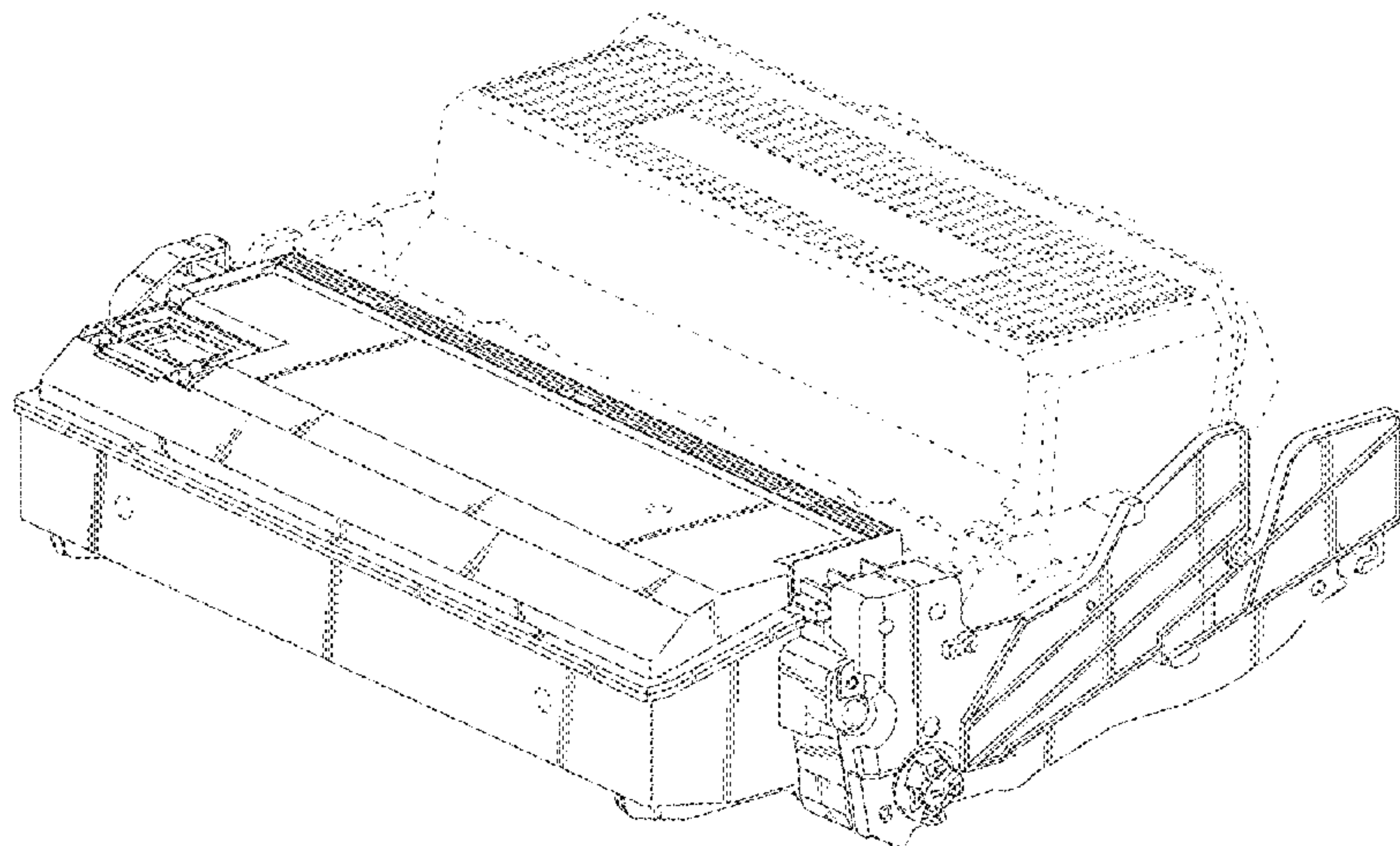
The ornamental design for a toner cartridge for printer, as shown and described.

DESCRIPTION

FIG. 1 is a top front perspective view of a toner cartridge for printer showing our new design;
FIG. 2 is a front view thereof;
FIG. 3 is a rear view thereof;
FIG. 4 is a left side view thereof;
FIG. 5 is a right side view thereof;
FIG. 6 is a top view thereof; and,
FIG. 7 is a bottom view thereof.

The broken lines indicate unclaimed portions of the article that form no part of the claimed design.

1 Claim, 5 Drawing Sheets



(56)

References Cited

U.S. PATENT DOCUMENTS

D652,072 S	1/2012	Han	
D652,862 S	1/2012	Mori et al.	
2011/0280623 A1*	11/2011	Heo	G03G 15/0896 399/120

* cited by examiner

FIG. 1

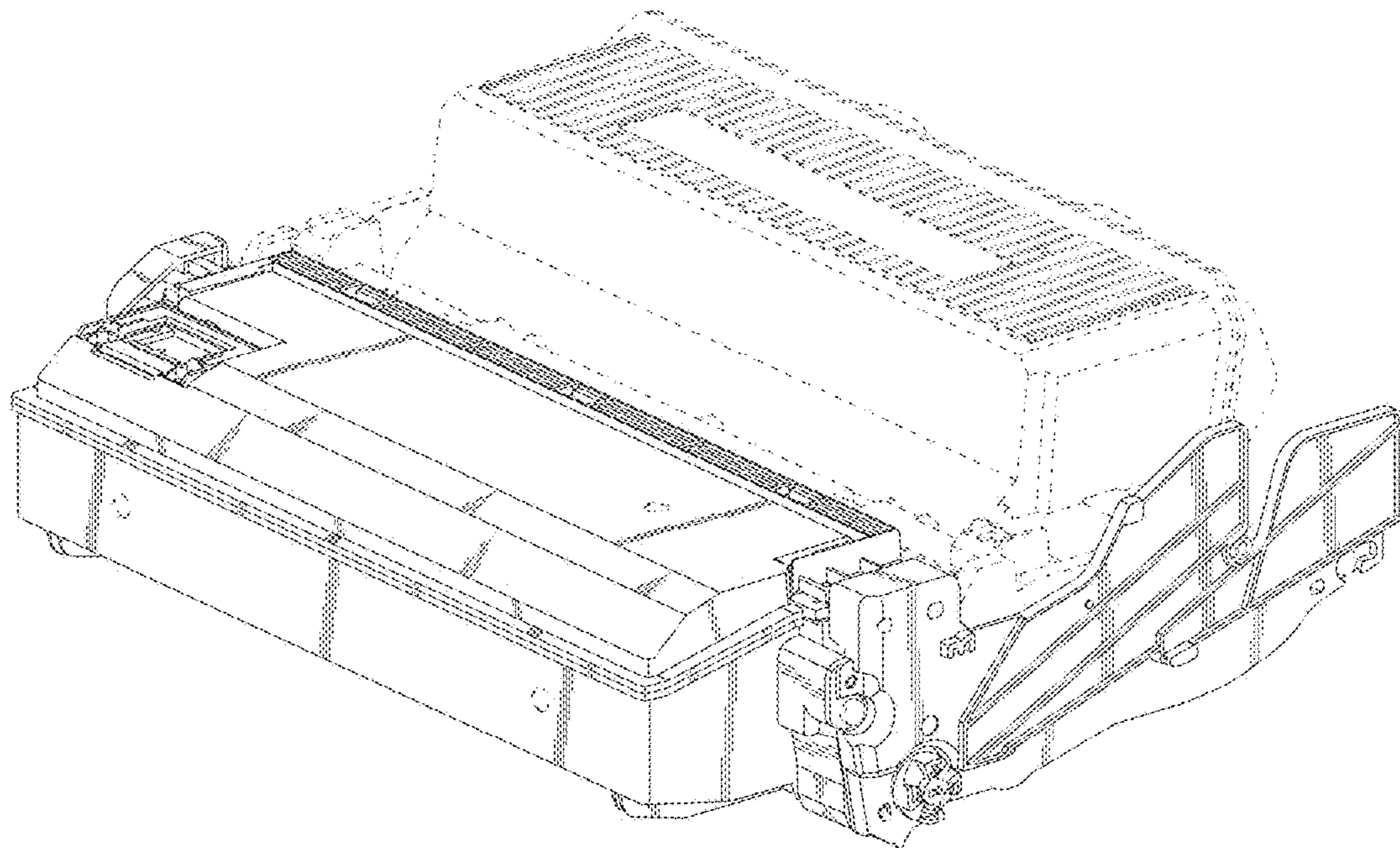


FIG.2

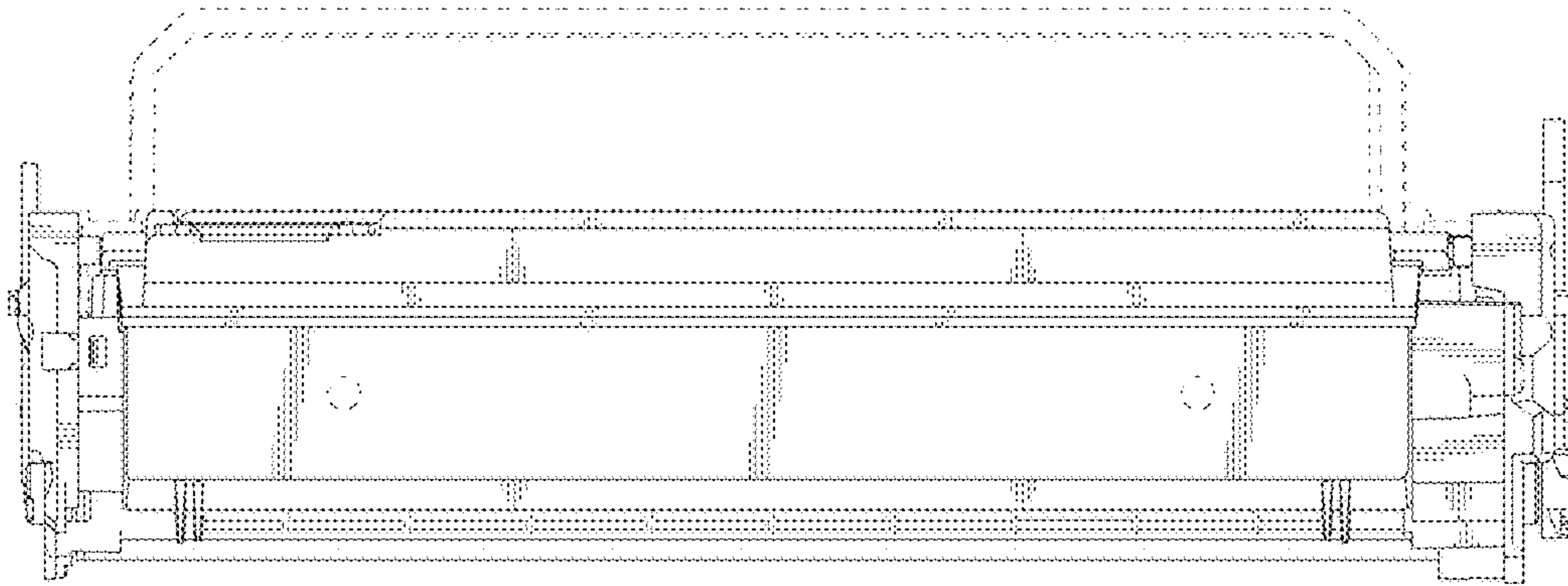


FIG.3

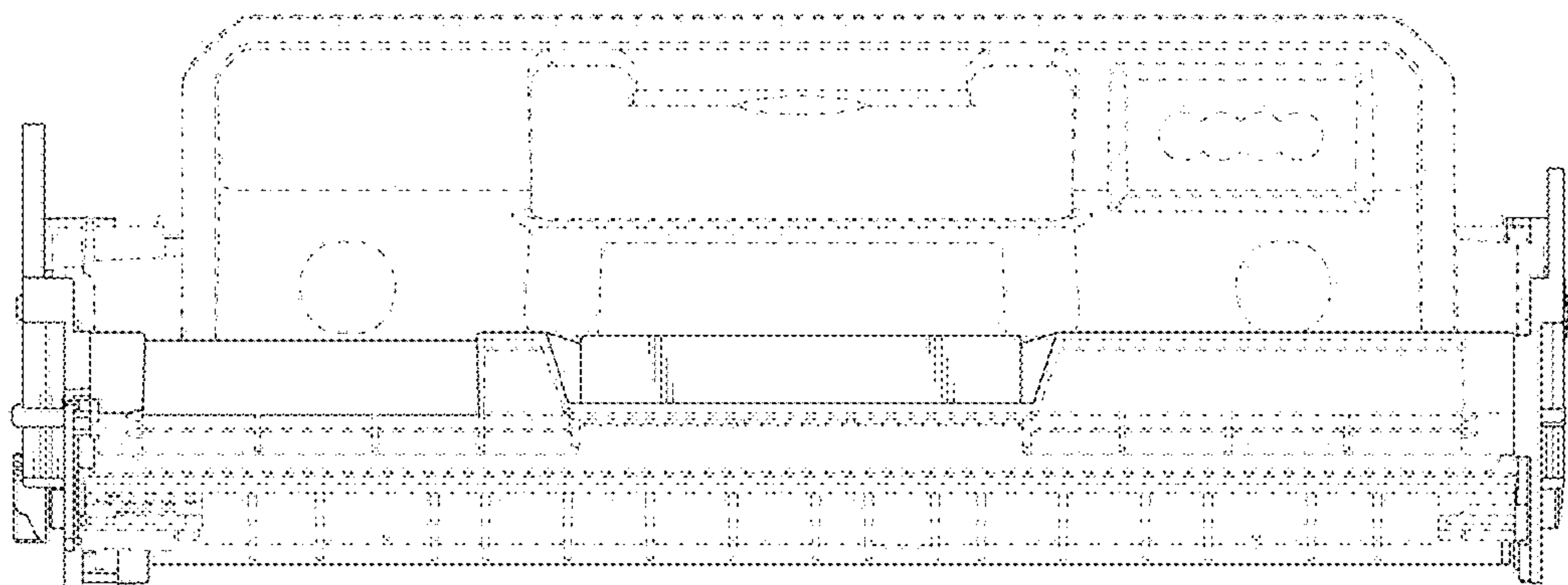


FIG.4

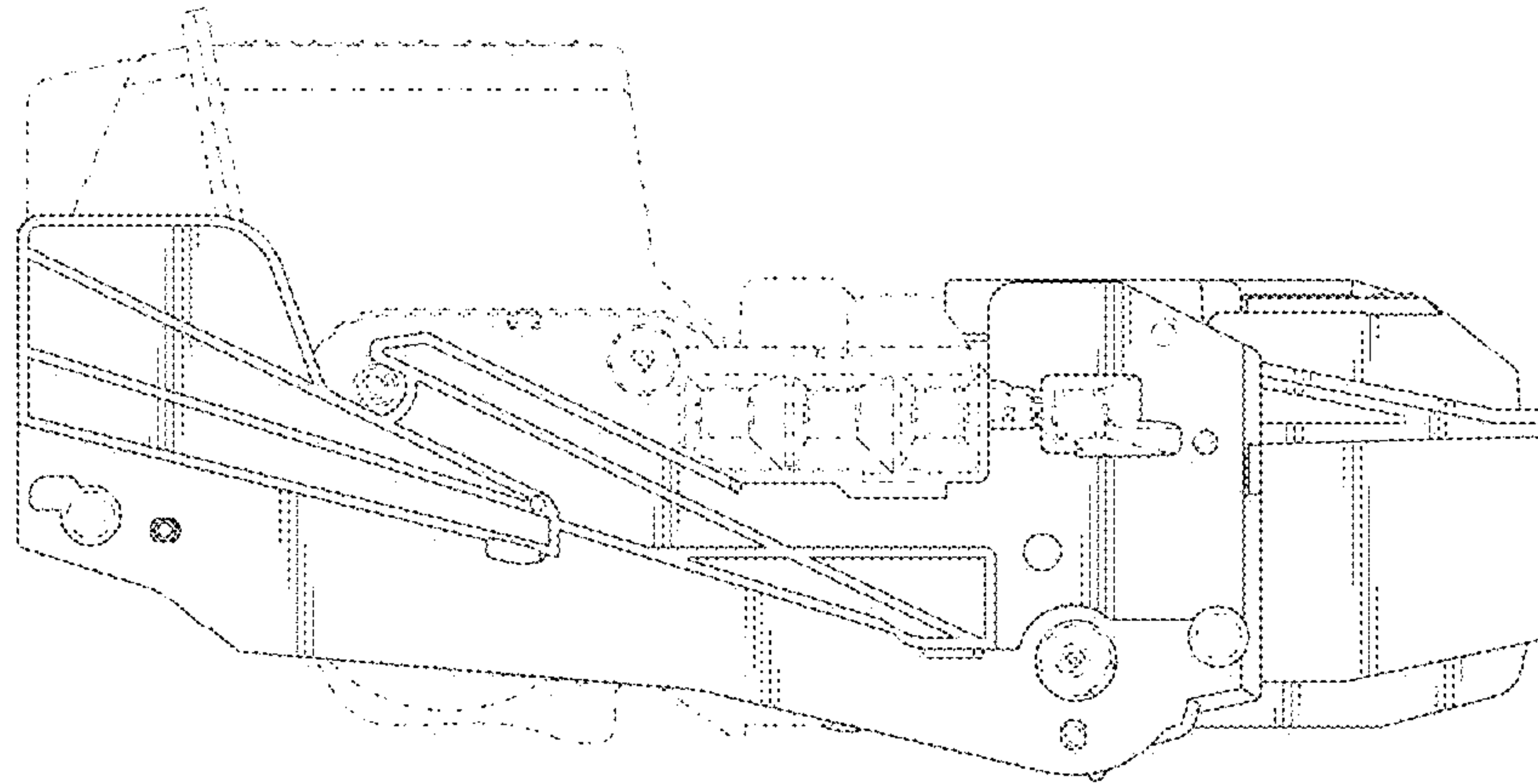


FIG.5

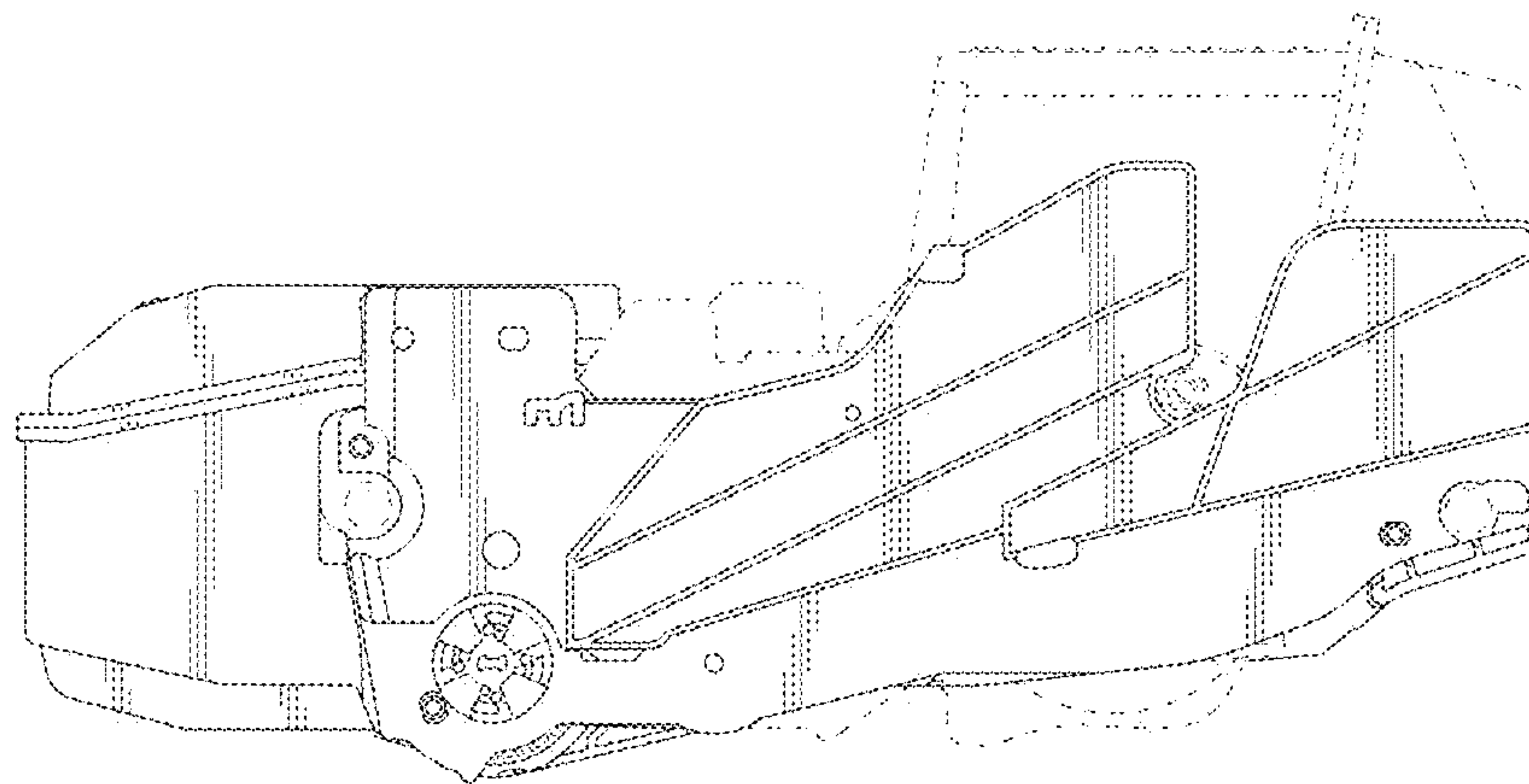


FIG.6

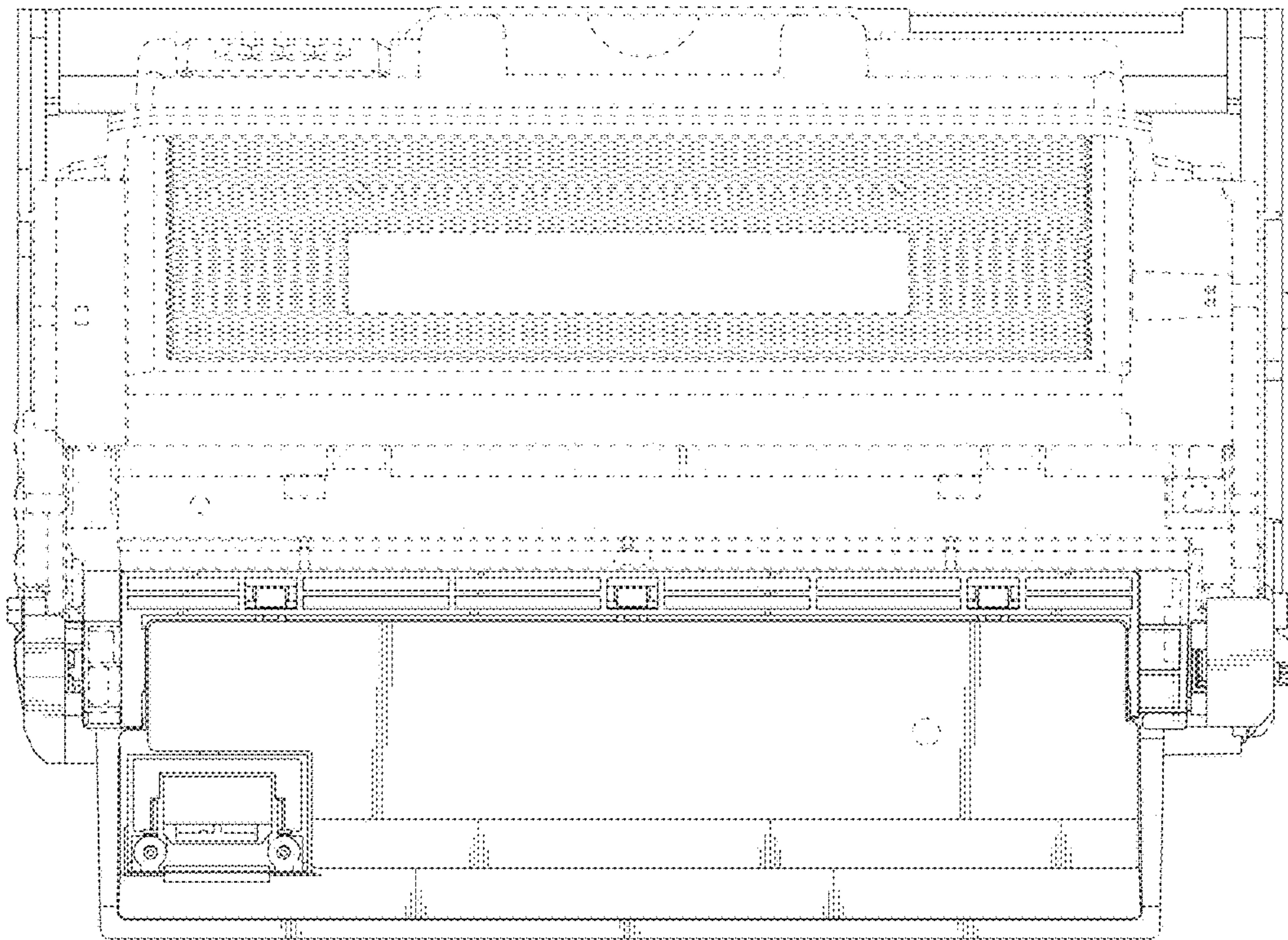


FIG.7

