



US00D807951S

(12) **United States Design Patent**
Kobayashi

(10) **Patent No.:** **US D807,951 S**
(45) **Date of Patent:** **** Jan. 16, 2018**

(54) **VOLUME PEDAL**

- (71) Applicant: **KORG INC.**, Tokyo (JP)
- (72) Inventor: **Kyosuke Kobayashi**, Tokyo (JP)
- (73) Assignee: **KORG INC.**, Tokyo (JP)
- (**) Term: **15 Years**
- (21) Appl. No.: **29/569,582**
- (22) Filed: **Jun. 29, 2016**

(30) **Foreign Application Priority Data**

Jan. 20, 2016 (JP) 2016-000909

(51) **LOC (11) Cl.** **17-99**

(52) **U.S. Cl.**
USPC **D17/99**

(58) **Field of Classification Search**

USPC D17/14, 20, 21, 24, 9, 99; D19/75, 83,
D19/86, 92, 100-103; D10/96, 97;
D8/354, 380, 381

CPC G10H 2210/231; G10H 2210/265; G10H
2220/071; G10H 2220/265; G10H 1/44;
G10H 1/46; G10H 1/34; G10H 1/342;
G10H 1/348; G10G 7/00; G10G 7/005;
G10G 7/02; G10G 3/00; G10G 3/02;
G10G 3/04

See application file for complete search history.

(56) **References Cited**

U.S. PATENT DOCUMENTS

D147,322 S *	8/1947	Eisenberg	D13/167
D152,594 S *	2/1949	Caudill	D13/167
2,534,939 A *	12/1950	Alkire	D05B 69/30 338/153
D236,212 S *	8/1975	Beigel	D14/188
D313,758 S *	1/1991	Klose	D10/15
D345,756 S *	4/1994	Clothier	84/312 P
D459,381 S *	6/2002	Ridinger	D13/167
D488,510 S *	4/2004	Chen	D19/75
D624,112 S *	9/2010	Purchon	D17/20

(Continued)

OTHER PUBLICATIONS

Amazon, Dunlop DVP3 Volume Pedal, first available on Feb. 14, 2013, [online], [site visited on Aug. 29, 2017]. Available from Internet, URL: <https://www.amazon.com/Jim-Dunlop-11033000001-DVP3-Volume/dp/B00BFYH0CG?tag=equipboard-posts-100-20> (Year: 2013).*

Primary Examiner — Sheryl Lane
Assistant Examiner — Samantha N Wood
(74) *Attorney, Agent, or Firm* — Wentsler LLC

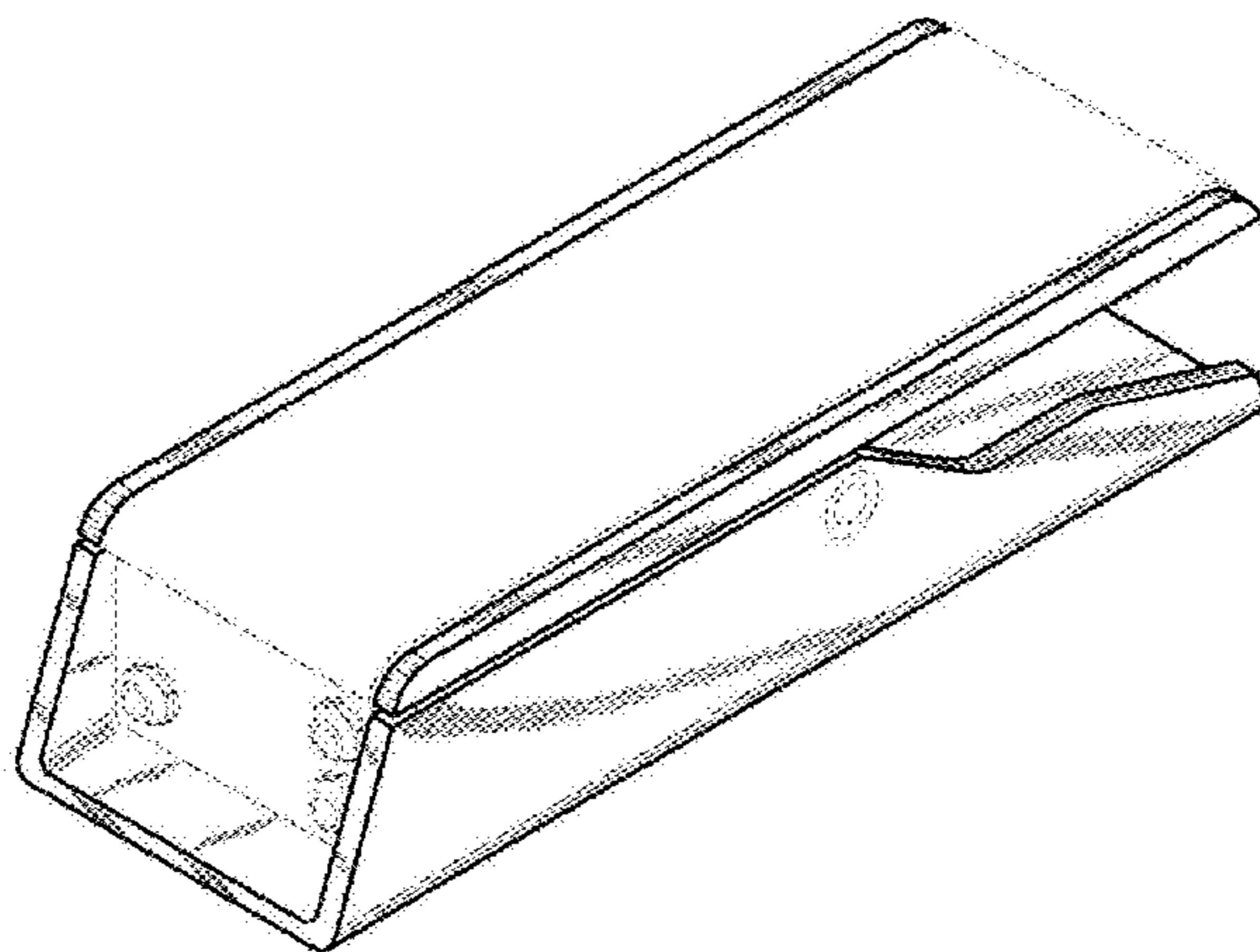
(57) **CLAIM**

The ornamental design for a volume pedal, as shown and described.

DESCRIPTION

FIG. 1 is a front view of a volume pedal, showing my new design;
FIG. 2 is a rear view of the volume pedal of FIG. 1;
FIG. 3 is a left side view of the volume pedal of FIG. 1;
FIG. 4 is a right side view of the volume pedal of FIG. 1;
FIG. 5 is a top view of the volume pedal of FIG. 1;
FIG. 6 is a bottom view of the volume pedal of FIG. 1;
FIG. 7 is a top, front, right perspective view of the volume pedal of FIG. 1; and,
FIG. 8 is a top, front, right perspective view of the volume pedal of FIG. 1 in an alternative orientation.
The unshaded regions demarcated by one or more broken lines or a combination of one or more broken and solid lines in all the figures represent unclaimed portions that form no part of the claimed design. The shaded regions in all the figures represent surface shape only and do not represent any particular material or color. Unless otherwise described above, the broken lines in all the figures are provided for environmental purposes only and form no part of the claimed design.

1 Claim, 6 Drawing Sheets



(56)

References Cited

U.S. PATENT DOCUMENTS

D735,146	S *	7/2015	Sawada	D13/167
9,589,549	B1 *	3/2017	McKay, II	G10H 1/348
2006/0156903	A1 *	7/2006	Baird	G10H 1/348
				84/453
2007/0074623	A1 *	4/2007	Nakagawa	G10H 1/348
				84/746
2014/0290469	A1 *	10/2014	Michaud	G10H 1/0091
				84/741
2014/0331850	A1 *	11/2014	Cho	G10H 1/0008
				84/633

* cited by examiner

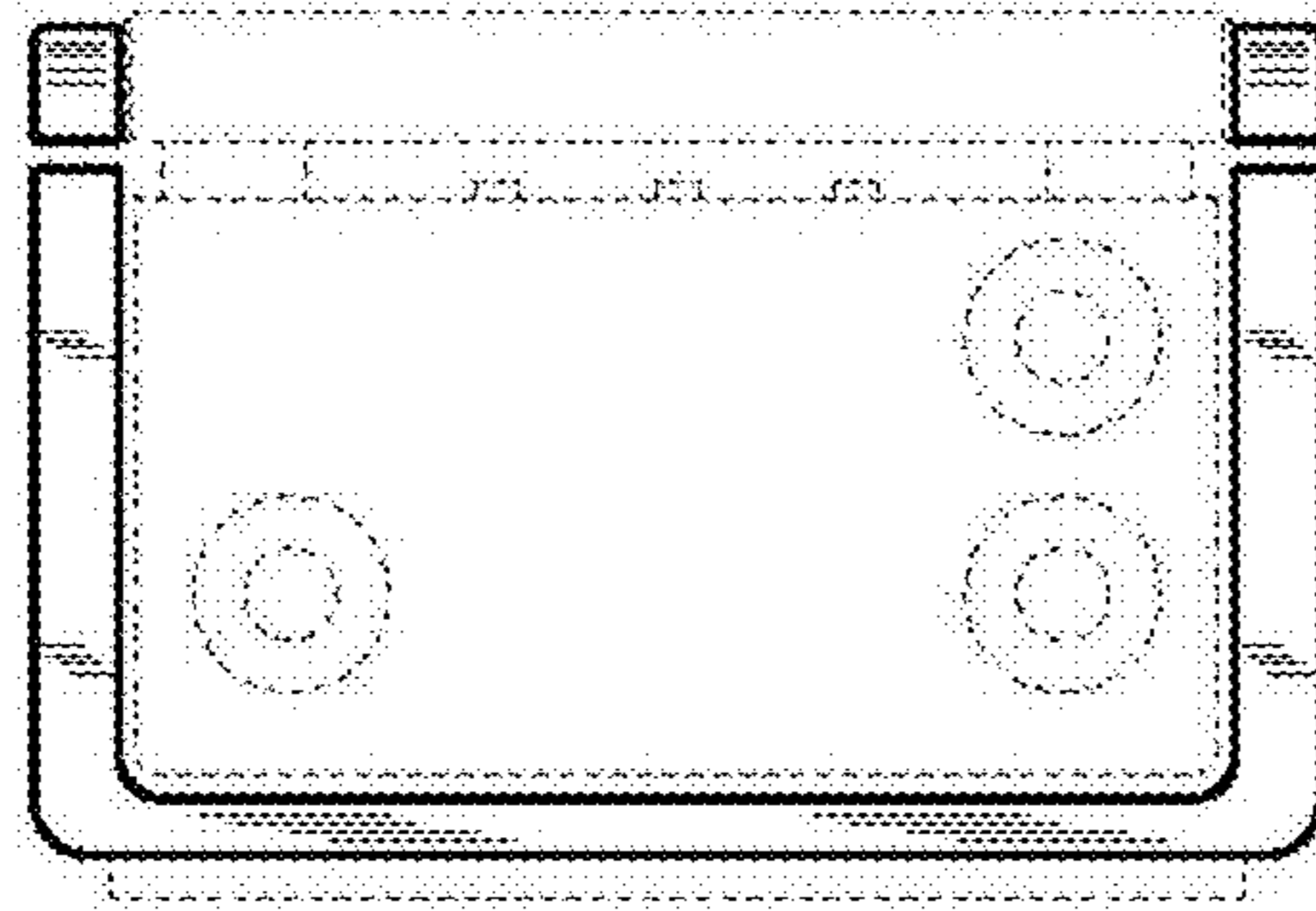


FIG. 1

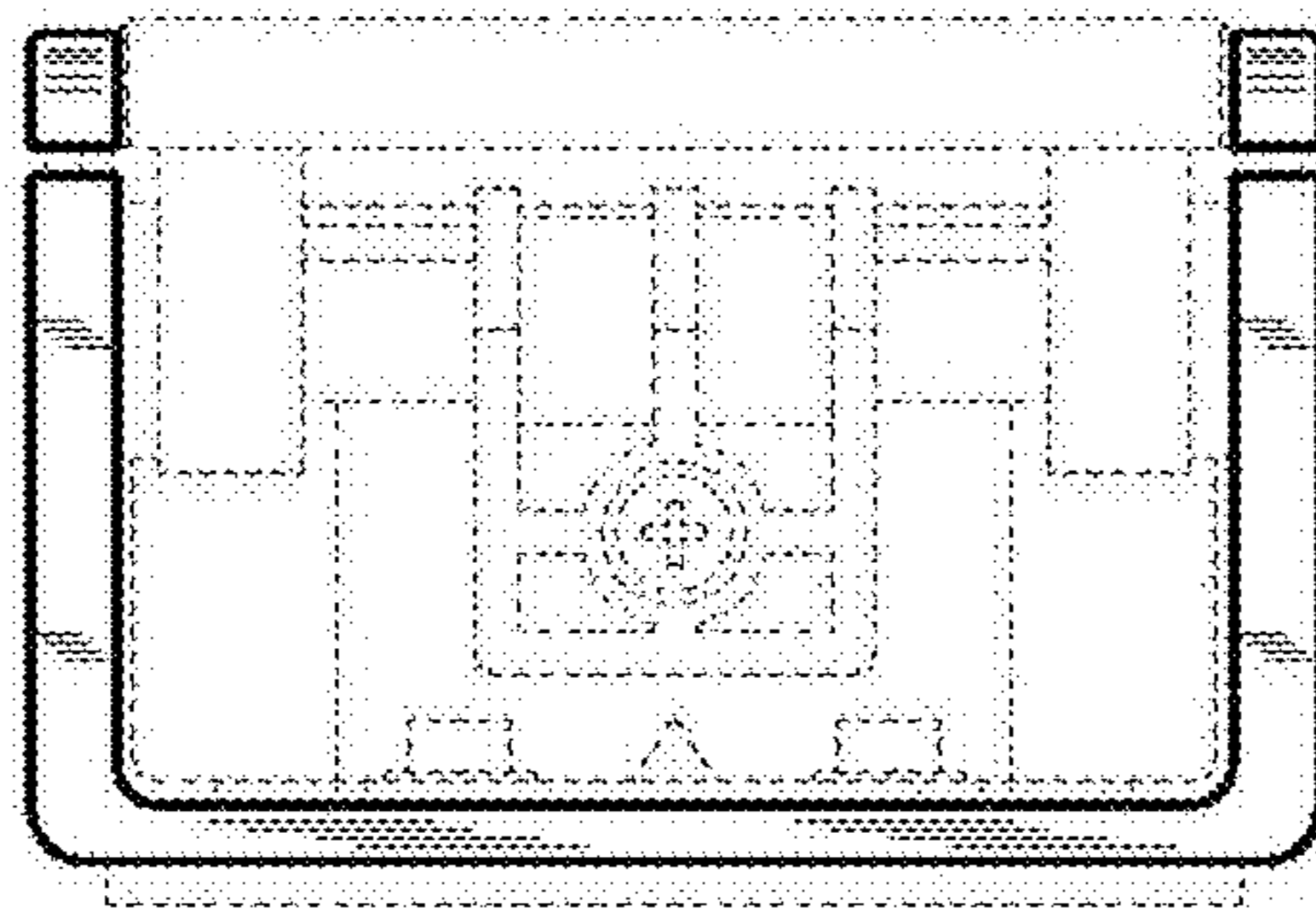


FIG. 2

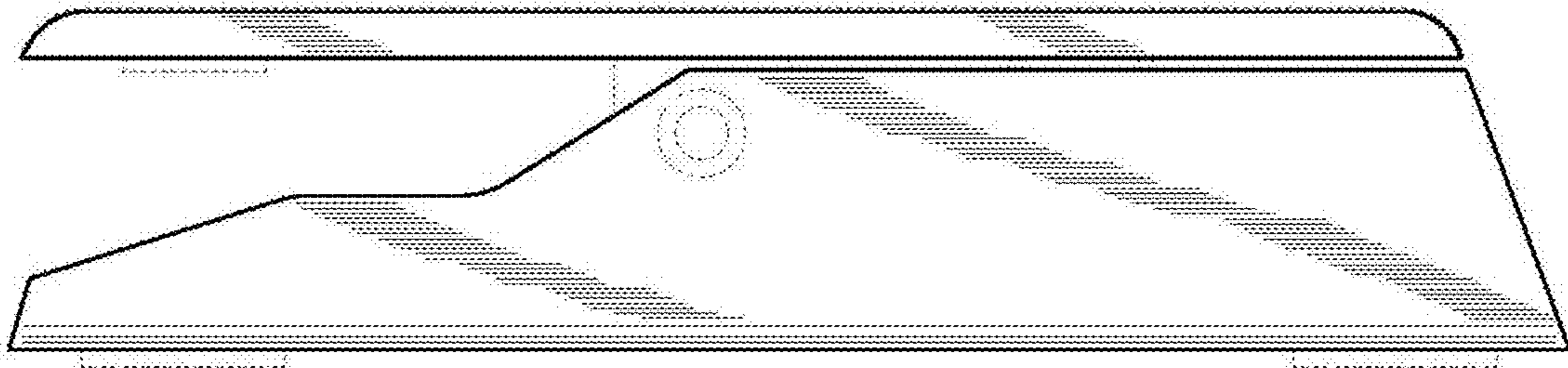


FIG. 3

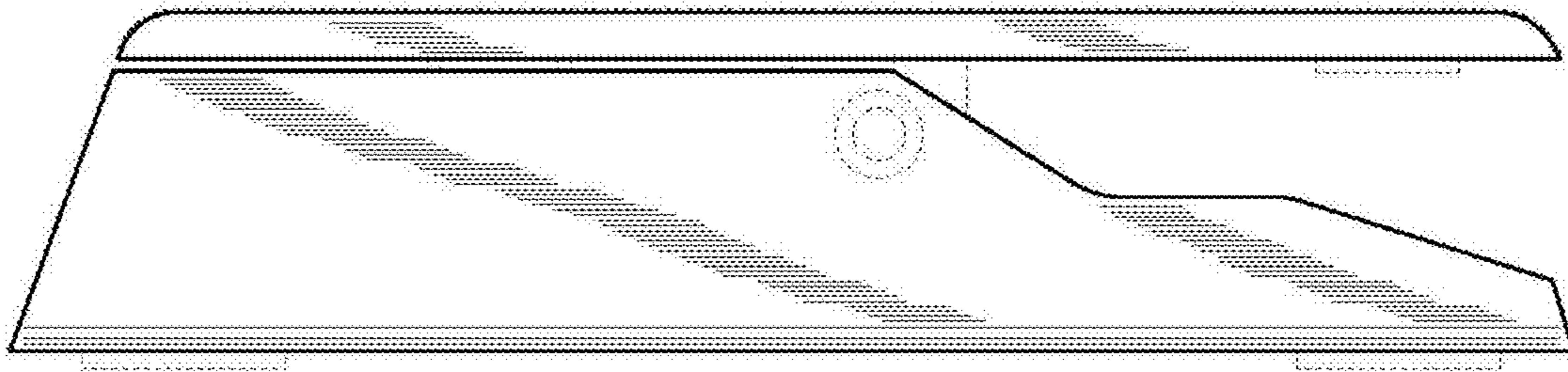


FIG. 4

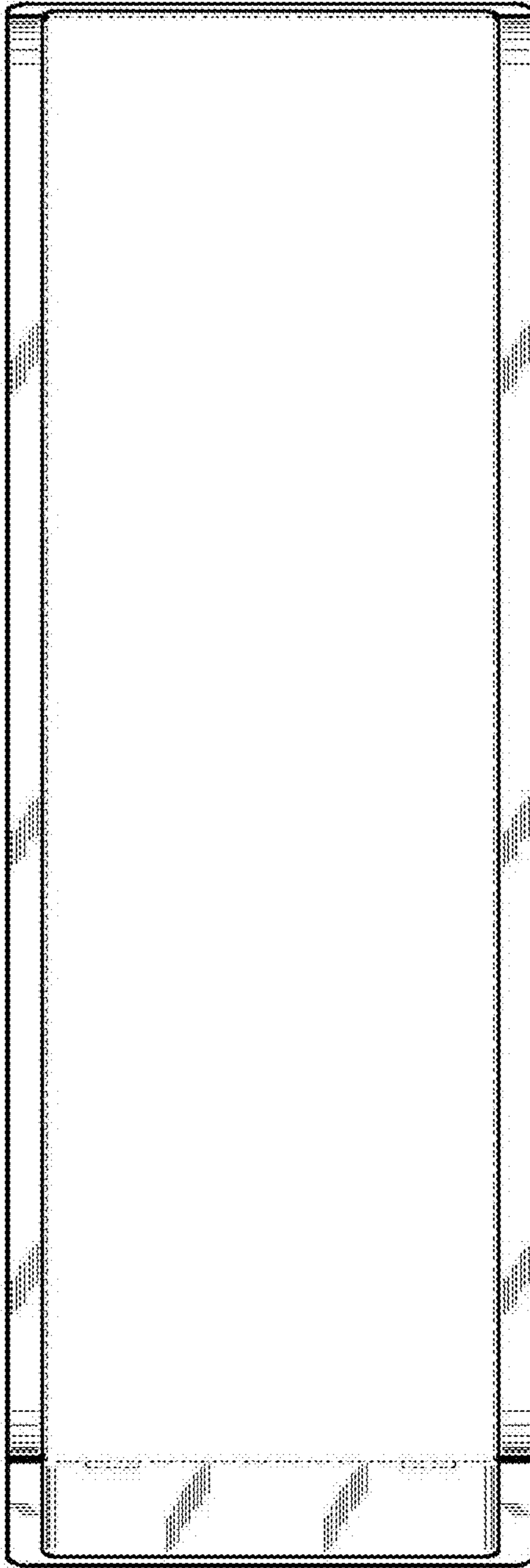


FIG. 5

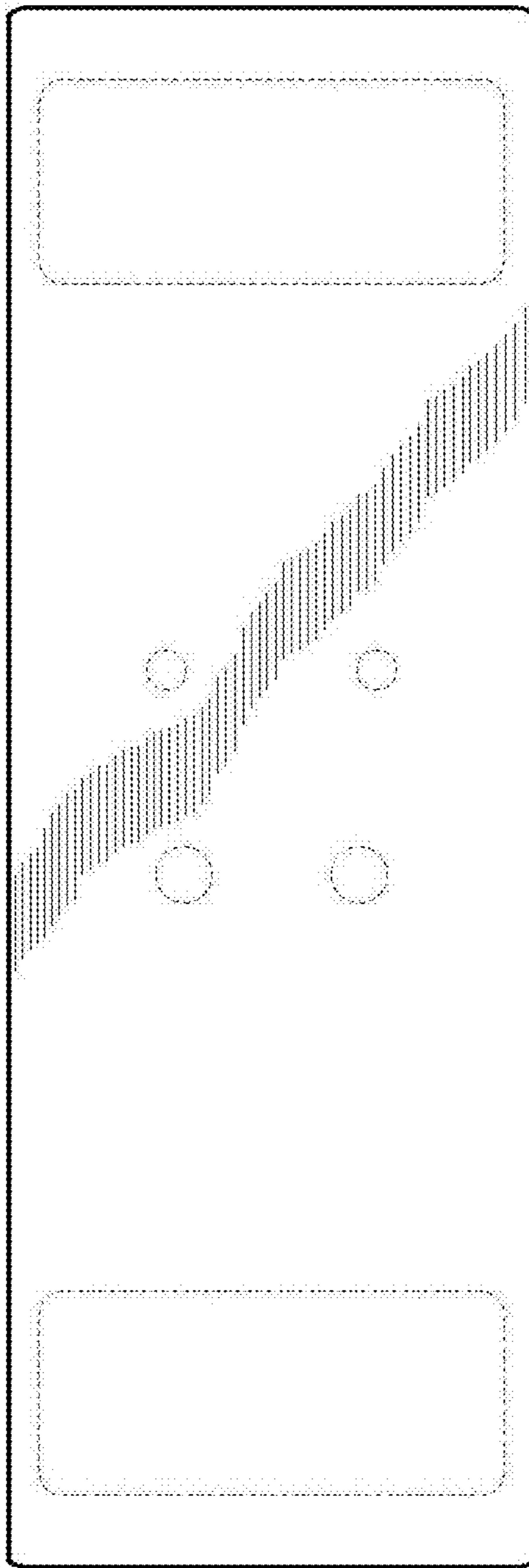


FIG. 6

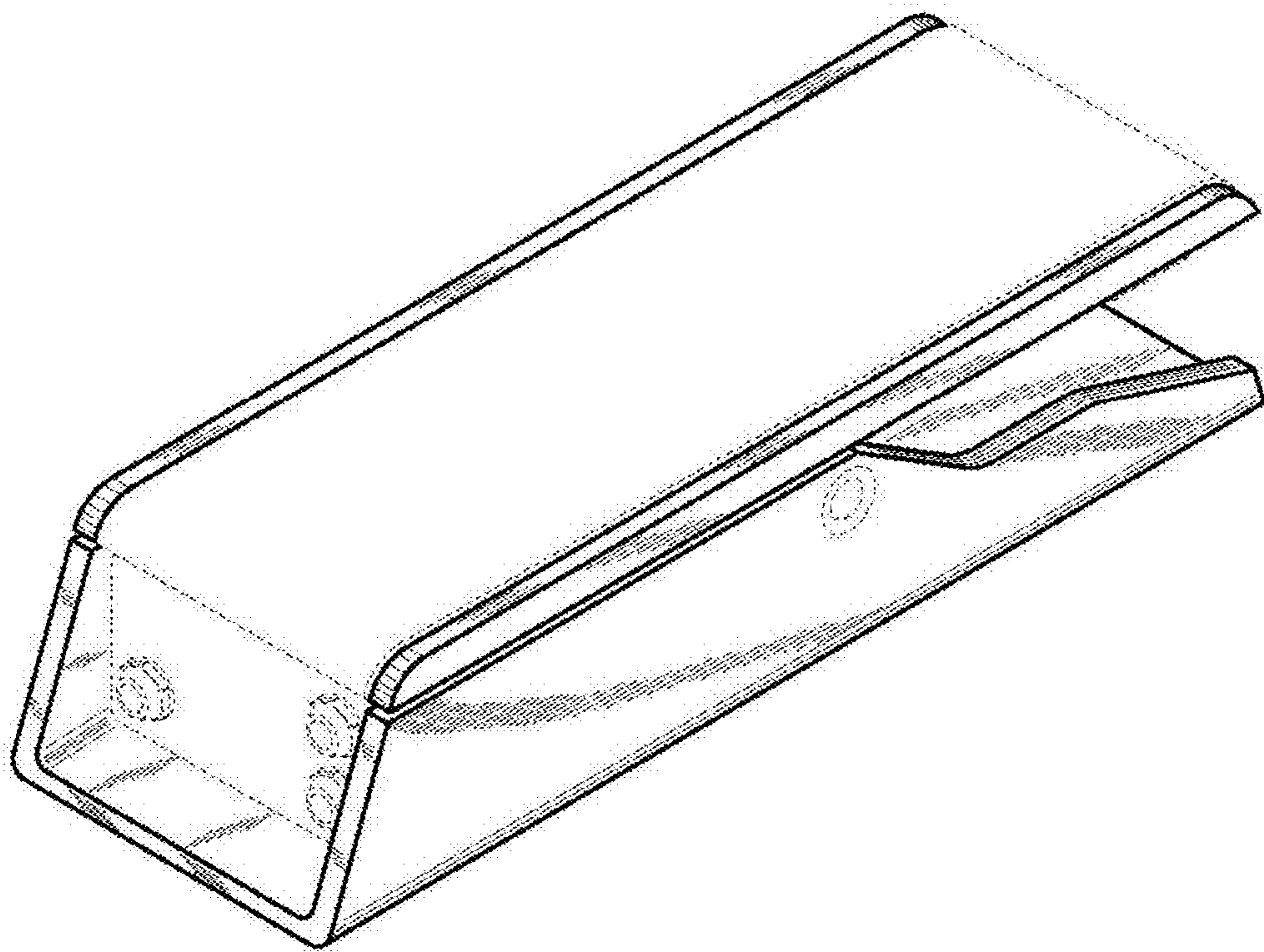


FIG. 7

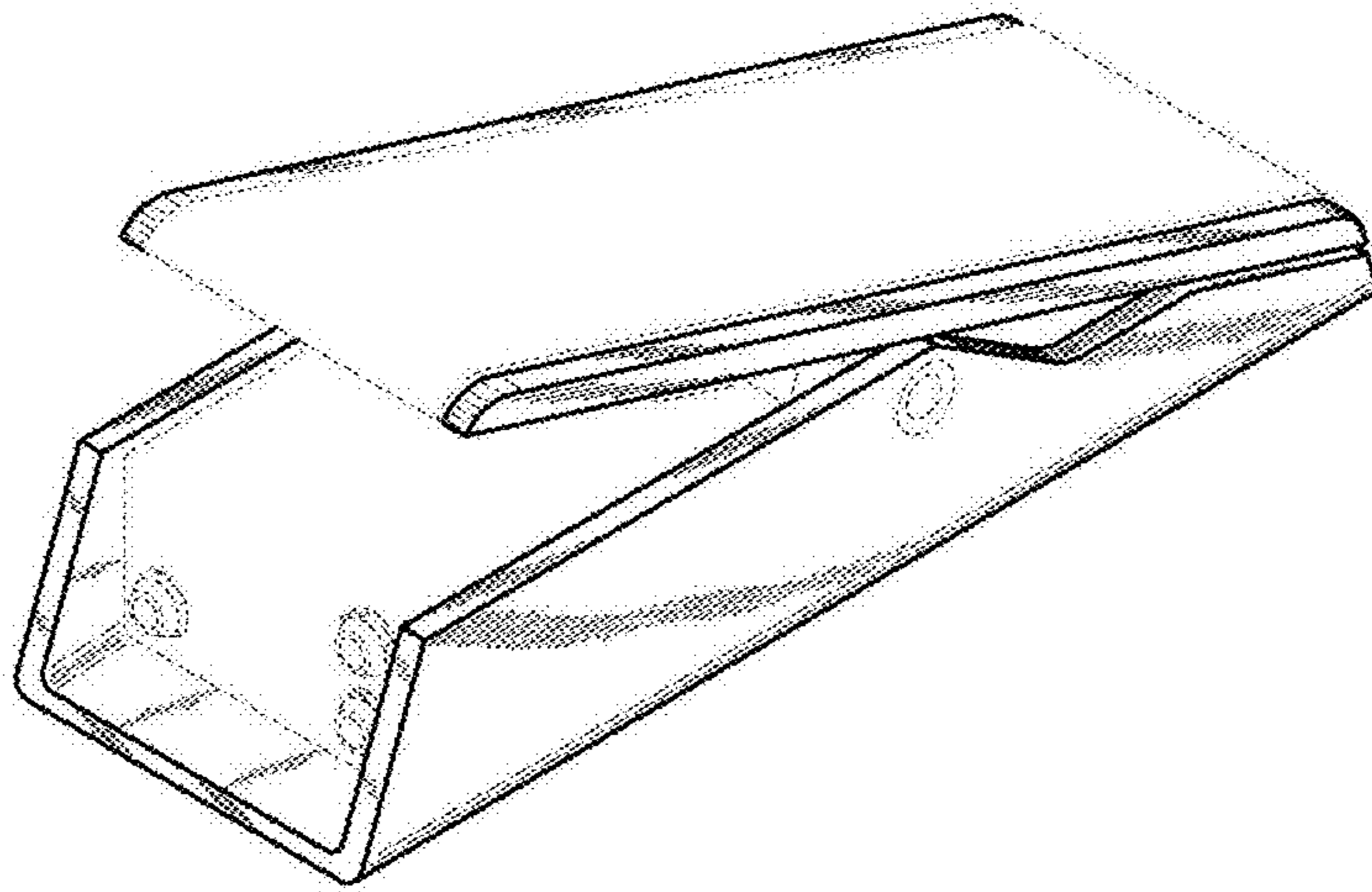


FIG. 8