

US00D807948S

(12) **United States Design Patent** (10) **Patent No.:** **US D807,948 S**
Jacob et al. (45) **Date of Patent:** **** Jan. 16, 2018**

- (54) **RECEIVING ELEMENT OF A CAMERA STAND** D162,989 S * 4/1951 Rizzatti D16/239
 2,833,849 A 11/1955 Abel
 D191,141 S * 8/1961 Burlin et al. D16/135
 3,138,661 A 6/1964 Grashow
 3,428,286 A 2/1969 Del Pesco
 3,626,421 A 12/1971 Santana et al.
 D227,599 S 7/1973 Wisgin
 D237,016 S * 9/1975 Stevenson D24/161
 D262,041 S 11/1981 Schmidt
 4,336,916 A 6/1982 Blanchard
 D275,868 S 10/1984 Ake
 D290,662 S 7/1987 Basil et al.
 4,739,353 A 4/1988 Heuer et al.
 4,804,984 A 2/1989 Heuer et al.
 4,953,698 A 9/1990 Gregorich et al.
 D311,933 S 11/1990 Adams
 D359,052 S 6/1995 Nagele et al.
 D367,418 S 2/1996 Lathrop
 5,523,934 A 6/1996 Dworman et al.
 D371,508 S * 7/1996 Sagol D8/396
 5,597,149 A 1/1997 Hodge
 5,649,256 A 7/1997 Wen
 D382,287 S * 8/1997 Palmer D16/237
 5,673,829 A * 10/1997 Hartshorn A45F 5/02
 224/251
- (71) Applicant: **GOOGLE INC.**, Mountain View, CA (US)
 (72) Inventors: **Rochus Jacob**, San Francisco, CA (US); **Francois Rybarczyk**, San Francisco, CA (US); **Adam Scott Kilgore**, San Rafael, CA (US); **Adam Duckworth Mittleman**, Redwood City, CA (US); **Jason Evans Goulden**, Los Gatos, CA (US)
 (73) Assignee: **GOOGLE INC.**, Mountain View, CA (US)
 (**) Term: **15 Years**
 (21) Appl. No.: **29/530,170**
 (22) Filed: **Jun. 14, 2015**

Related U.S. Application Data

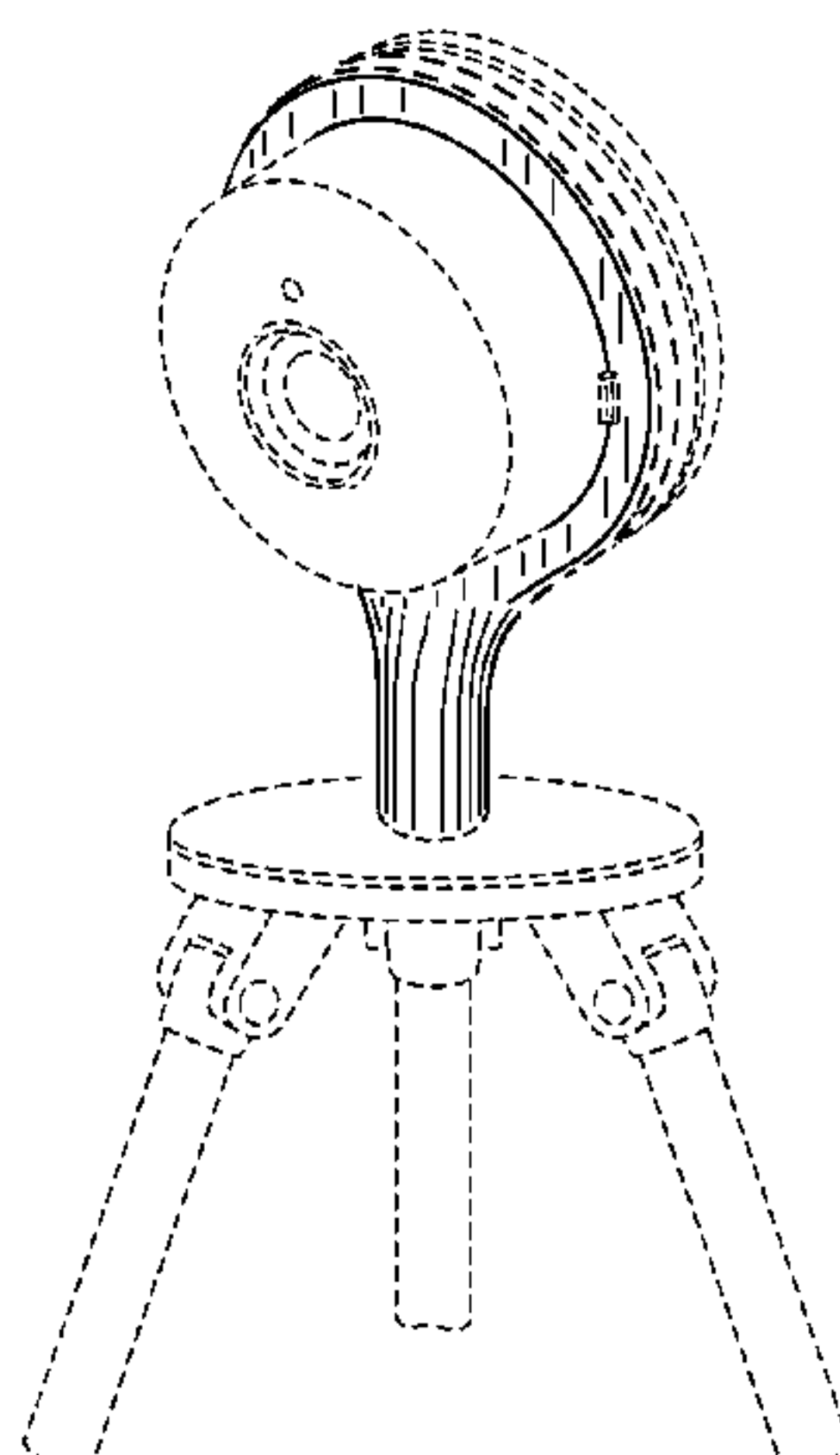
- (63) Continuation of application No. 14/738,880, filed on Jun. 13, 2015, now Pat. No. 9,388,934.
 (51) **LOC (11) Cl.** **16-05**
 (52) **U.S. Cl.**
 USPC **D16/245**
 (58) **Field of Classification Search**
 USPC D16/135, 206, 219, 235, 237-245, 250;
 D14/251, 253; D8/107, 303, 354, 355,
 D8/356, 363, 367, 373, 380, 383, 387,
 D8/394, 396
 CPC G03B 17/56; G03B 17/561-17/568; G02B
 7/00-7/002; H04N 5/2253-5/2254; F16M
 11/04-11/12; F41B 5/14
 See application file for complete search history.

- 5,738,321 A 4/1998 Moriyasu
 5,764,194 A 6/1998 Brown
 6,042,080 A 3/2000 Shepherd et al.
 D429,998 S 8/2000 Snell
 D440,243 S * 4/2001 Jacquet D16/135
 D445,819 S 7/2001 Backs et al.
 D450,962 S 11/2001 Hundley
 D465,188 S 11/2002 McCoy et al.
 6,474,471 B1 11/2002 Miyake
 D490,694 S 6/2004 Levine-Umans
 D498,624 S 11/2004 Chen
 D512,372 S 12/2005 Sakai
 7,126,556 B1 10/2006 Wang
 D537,668 S 3/2007 Murray
 D537,856 S 3/2007 Tsao
 D545,857 S * 7/2007 Yip D16/135
 D550,488 S 9/2007 Nip et al.
 7,298,969 B2 11/2007 Elberbaum
 D558,250 S 12/2007 Hsia
 7,303,171 B1 12/2007 Chen
 D565,618 S * 4/2008 Yip D16/135
 D569,713 S 5/2008 Sandidge
 D573,622 S 7/2008 Fisher et al.
 D575,316 S 8/2008 Liu et al.
 D577,527 S 9/2008 Yu

(56) **References Cited**

U.S. PATENT DOCUMENTS

- 777,996 A 12/1904 Applegate
 D134,016 S * 10/1942 Du Mais D16/243



7,559,518	B2	7/2009	Ye	
D600,728	S *	9/2009	Braganca	D16/135
D602,967	S *	10/2009	Hui	D16/135
D613,292	S *	4/2010	Carver	D14/218
D621,077	S	8/2010	Fleischman	
D636,174	S *	4/2011	Smith	D3/207
D636,513	S *	4/2011	Furtsch	D16/135
D638,461	S	5/2011	Kim et al.	
8,072,536	B1	12/2011	Campbell	
D662,957	S *	7/2012	Stubel	D16/135
D672,225	S *	12/2012	Virnig	D8/373
D688,289	S *	8/2013	Hodgson	D16/135
8,511,625	B2	8/2013	Stefan	
8,596,890	B2	12/2013	Yim et al.	
D700,504	S	3/2014	Blocker	
D719,205	S	12/2014	Matsumoto	
D719,605	S	12/2014	Dordick	
8,902,355	B2	12/2014	Dudkowski	
D721,396	S *	1/2015	Gustaveson, II	D16/237
D726,806	S	4/2015	Demars	
D726,807	S *	4/2015	DeMars	D14/448
8,998,512	B1	4/2015	Celler	
D729,296	S	5/2015	Shelton	
9,057,934	B2	6/2015	Lellky	
D734,801	S	7/2015	Yang	
D740,871	S	10/2015	Moon et al.	
D742,954	S	11/2015	Simonelli et al.	
D746,350	S	12/2015	Li	
9,309,012	B1	4/2016	Kilgore et al.	
9,327,851	B1	5/2016	Kilgore et al.	
9,377,157	B1	6/2016	Kilgore et al.	
9,388,934	B1	7/2016	Kilgore et al.	
9,415,921	B2	8/2016	Marchetti et al.	
9,423,672	B1	8/2016	Kilgore et al.	
D775,682	S *	1/2017	Ou	D16/237
D775,684	S *	1/2017	Jacob	H04N 5/2251 D16/242
2001/0020975	A1	9/2001	Kerai et al.	
2003/0161623	A1	8/2003	Saruhashi	
2003/0201371	A1	10/2003	Zadok	
2005/0122424	A1	6/2005	Overstreet	
2006/0113214	A1	6/2006	Shimizu et al.	
2007/0152117	A1	7/2007	Byrd	
2007/0278366	A1	12/2007	McGill	
2007/0284496	A1	12/2007	Yokota	
2008/0061199	A1	3/2008	Chen	
2008/0068493	A1	3/2008	Hida et al.	
2008/0093514	A1	4/2008	Carnevali	
2009/0308993	A1	12/2009	Chang	
2011/0163211	A1	7/2011	Cicco	
2012/0043439	A1	2/2012	Liao	
2013/0010143	A1	1/2013	Phillips	
2013/0215322	A1	8/2013	Haler	
2013/0244816	A1	9/2013	Lignelli et al.	
2013/0270317	A1	10/2013	Wang	
2013/0279098	A1 *	10/2013	Cho	H05K 7/00 361/679.01
2013/0292531	A1	11/2013	Schaefer et al.	
2014/0226061	A1	8/2014	Kuehl et al.	
2015/0122852	A1 *	5/2015	Feng	A45F 5/00 224/191
2016/0296002	A1 *	10/2016	Srey	A45F 5/10
2016/0353867	A1 *	12/2016	Due	A45F 5/10

FOREIGN PATENT DOCUMENTS

DE	9407862	U1	9/1995
DE	202012101588		7/2012
WO	WO 2013/133461		9/2013

OTHER PUBLICATIONS

Wasserstein Nest Cam Wall Mount review. [online] Published Sep. 13, 2016. Retrieved from URL: <<http://the-gadgeteer.com/2016/09/13/wasserstein-nest-cam-wall-mount-review/>>.*

Nest—Cam Security Camera—Black/Silver. [online] Retrieved May 16, 2017 from URL: <<http://www.bestbuy.com/site/nest-cam-security-camerablacksilver/6473147.p?skuId=6473147&extStoreId=&ref=212&loc=1&ksid=7db5bd2d%C2%AD2404%C2%AD41d3%C2%AD86b9%C2%AD%E2%80%A61/3>>.*

* cited by examiner

Primary Examiner — Vy N Koenig
(74) *Attorney, Agent, or Firm* — Morgan, Lewis & Bockius LLP

(57) **CLAIM**

The ornamental design for a receiving element of a camera stand, as shown and described.

DESCRIPTION

The present application is related to U.S. patent application Ser. No. 29/530,172, entitled “Camera Assembly,” filed on Jun. 14, 2015; U.S. patent application Ser. No. 29/530,171, entitled “Stand Assembly,” filed on Jun. 14, 2015, now issued as U.S. Pat. No. D775,685; and U.S. patent application Ser. No. 29/530,169, entitled “Camera Stand Base,” filed on Jun. 14, 2015, each of which is hereby incorporated by reference in its entirety.

FIG. 1 is a perspective view of a receiving element of a camera stand showing the new design.

FIG. 2 is another perspective view of the receiving element of a camera stand shown in FIG. 1.

FIG. 3 is a side view of the receiving element of a camera stand shown in FIG. 1.

FIG. 4 is a front view of the receiving element of a camera stand shown in FIG. 1.

FIG. 5 is a top view of the receiving element of a camera stand shown in FIG. 1.

FIG. 6 is a bottom view of the receiving element shown of a camera stand in FIG. 1.

FIG. 7 shows a perspective view of a camera assembly that includes a camera module and the receiving element of a camera stand showing the new design.

FIG. 8 shows a perspective view of another camera assembly that includes a tripod and the receiving element of a camera stand showing the new design; and,

FIG. 9 shows a perspective view of yet another camera assembly that includes a camera module, a base assembly, and the receiving element of a camera stand showing the new design.

The broken lines in FIGS. 1-6 depict portions of the receiving element of a camera stand that forms no part of the claimed design. The additional broken lines shown in FIGS. 7-9 depict environmental subject matter and form no part of the claimed design.

1 Claim, 9 Drawing Sheets

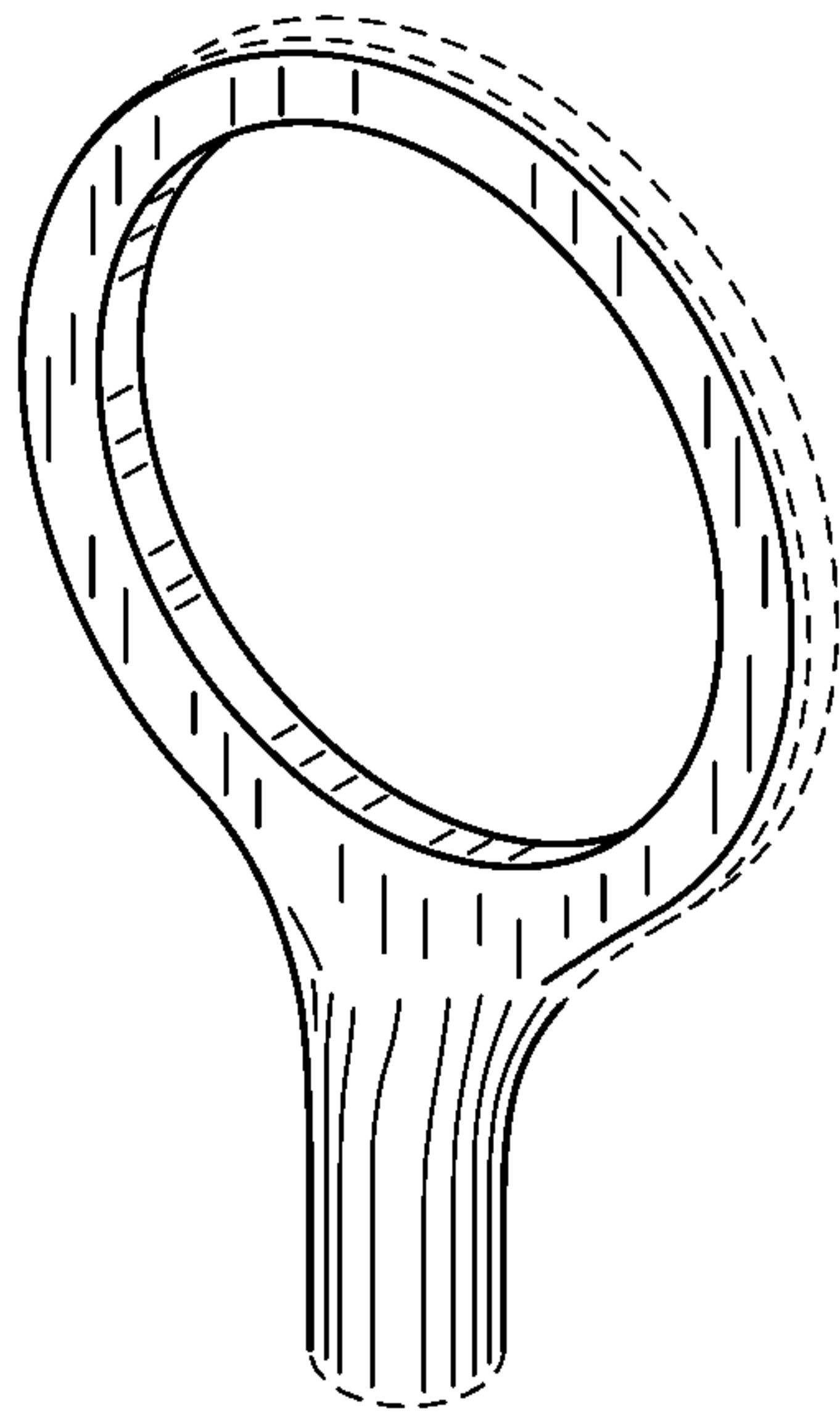


FIG. 1

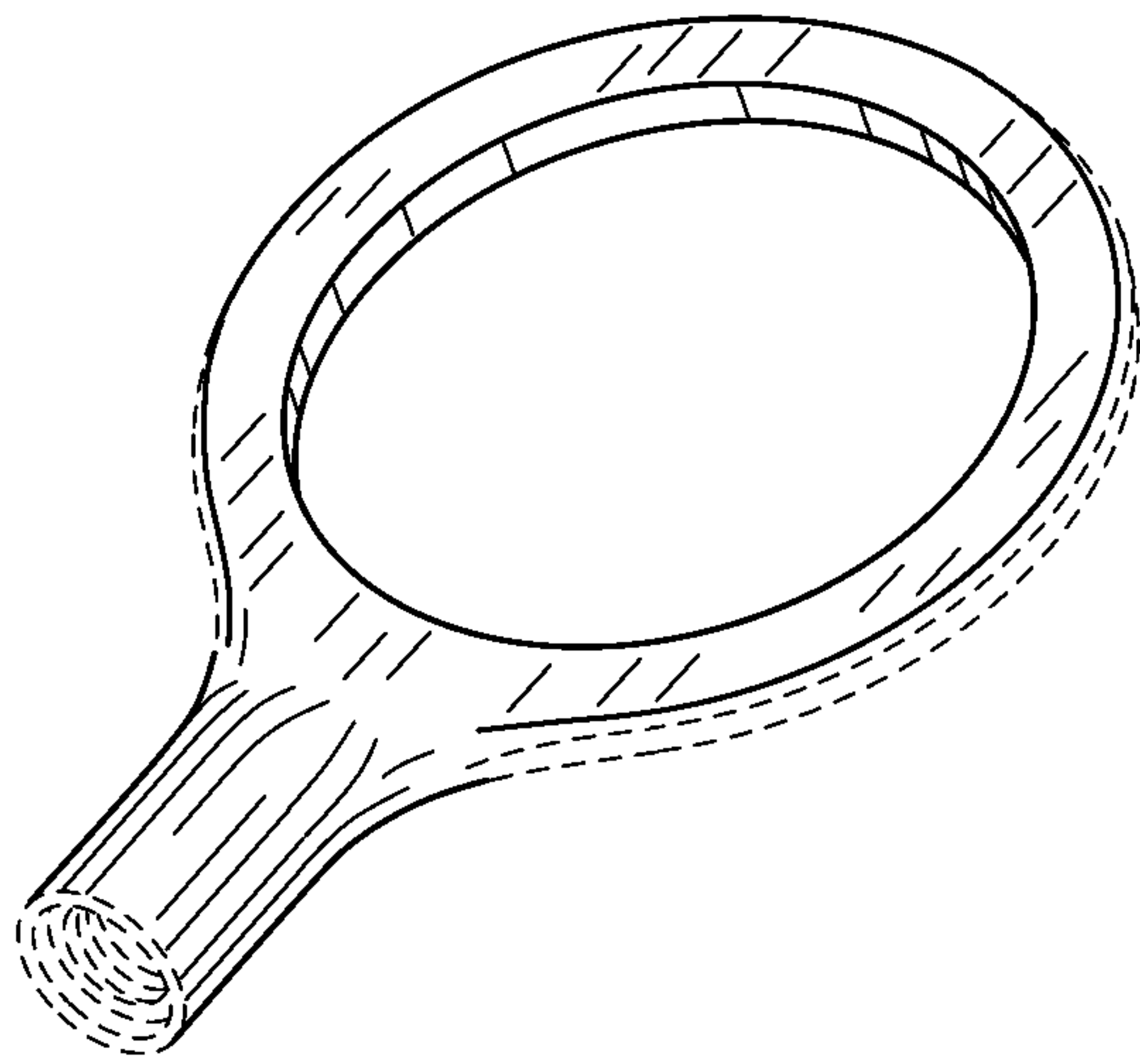


FIG. 2

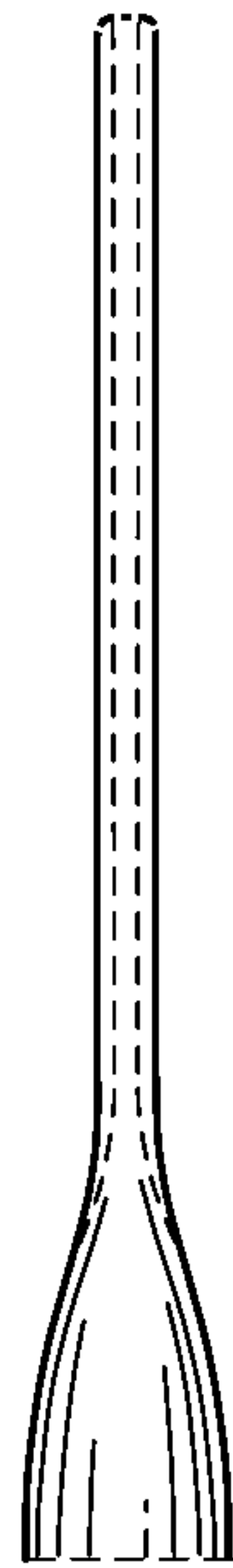


FIG. 3

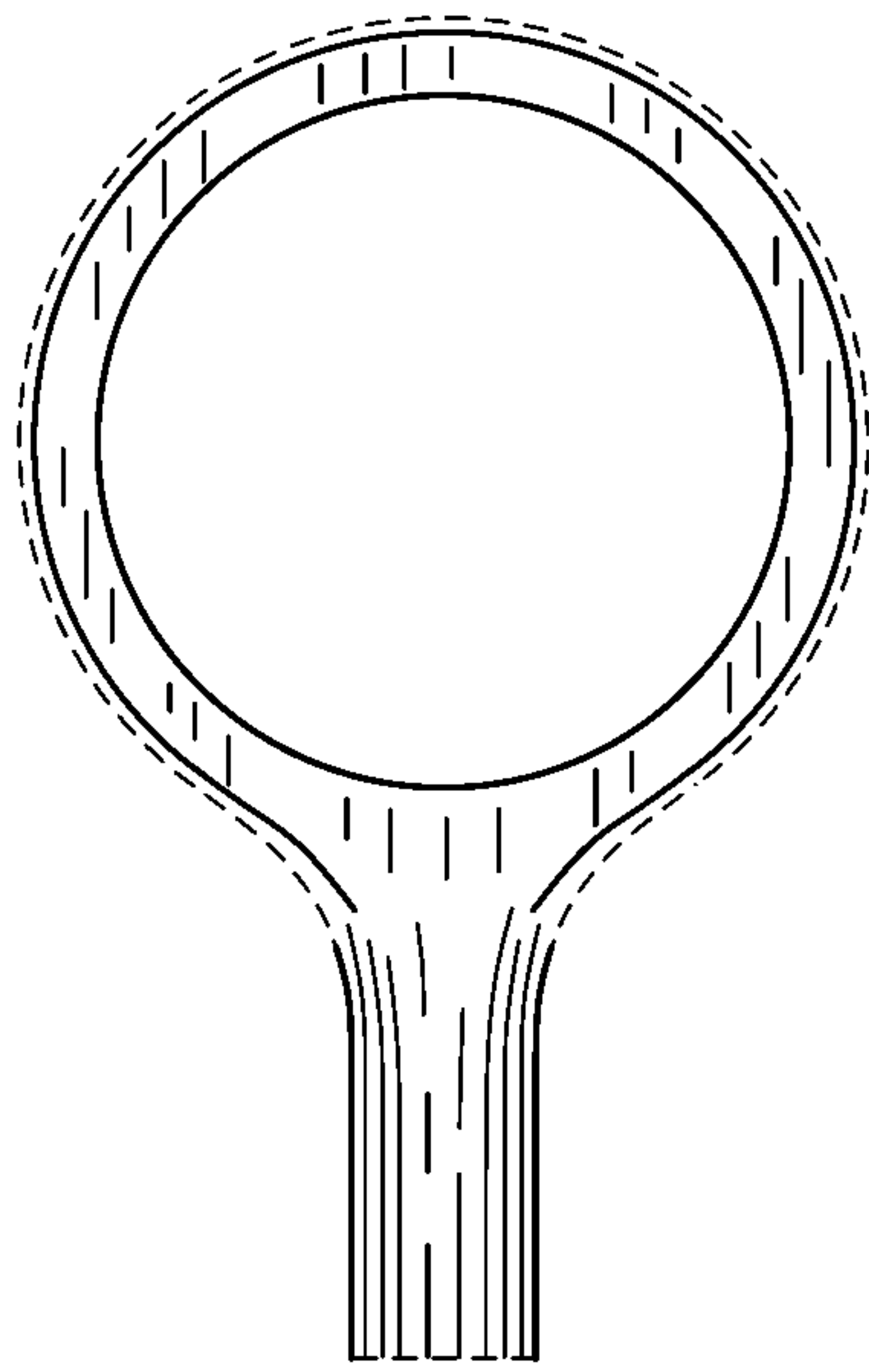


FIG. 4

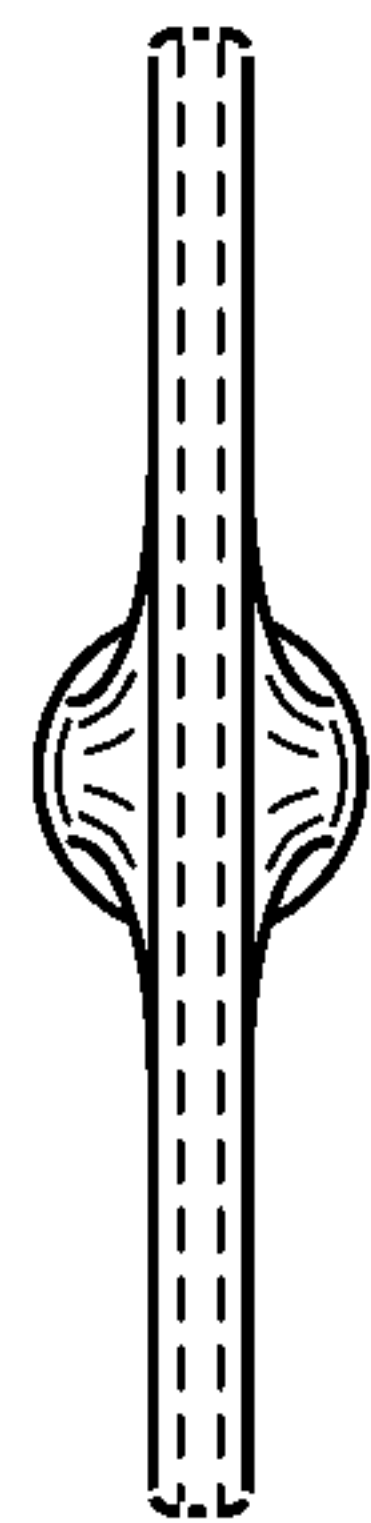


FIG. 5

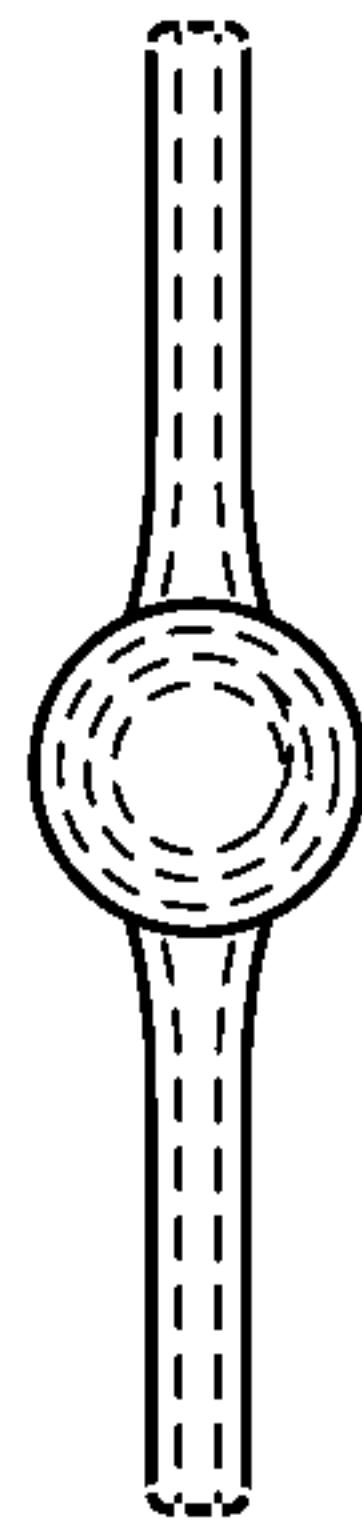


FIG. 6

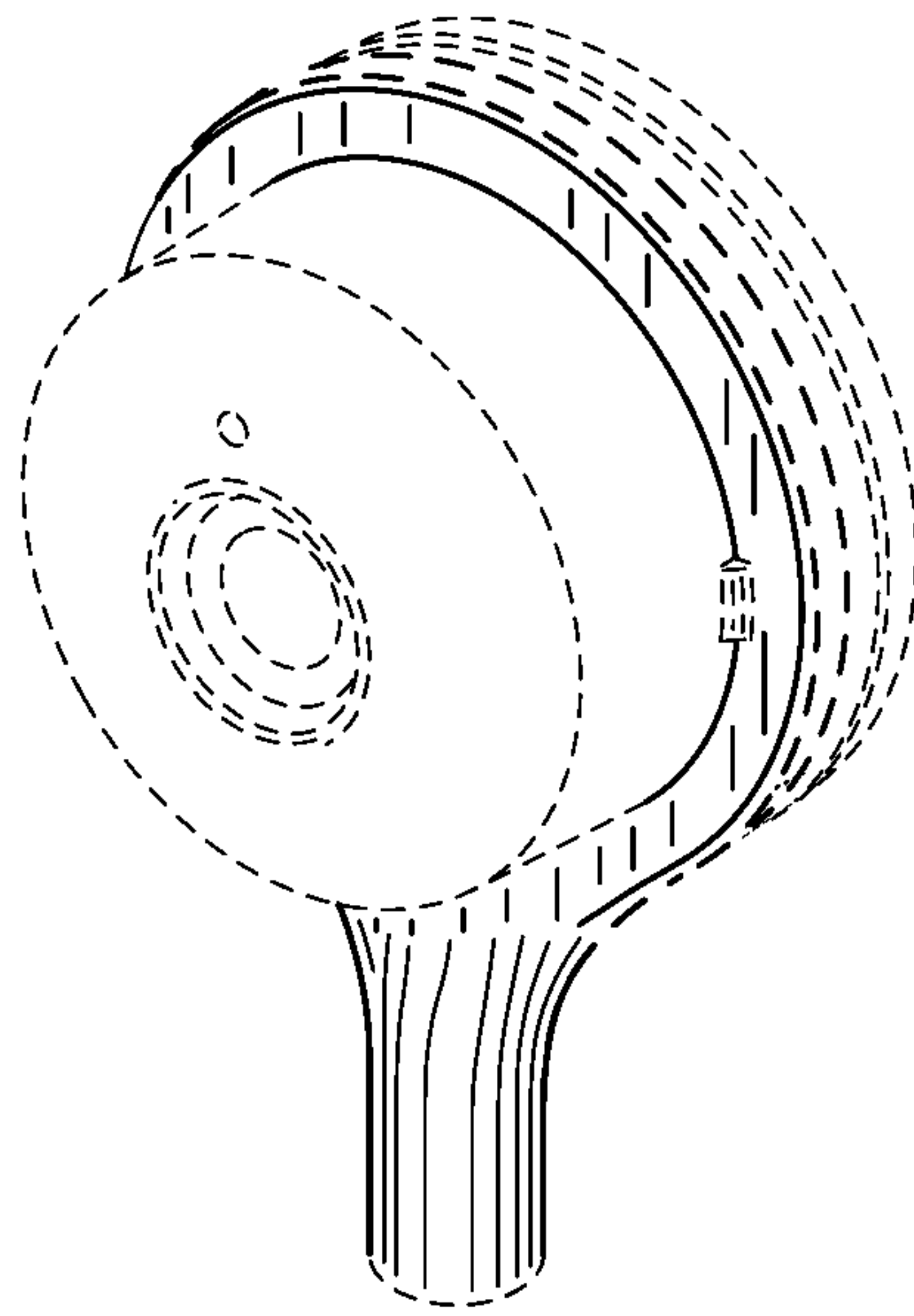


FIG. 7

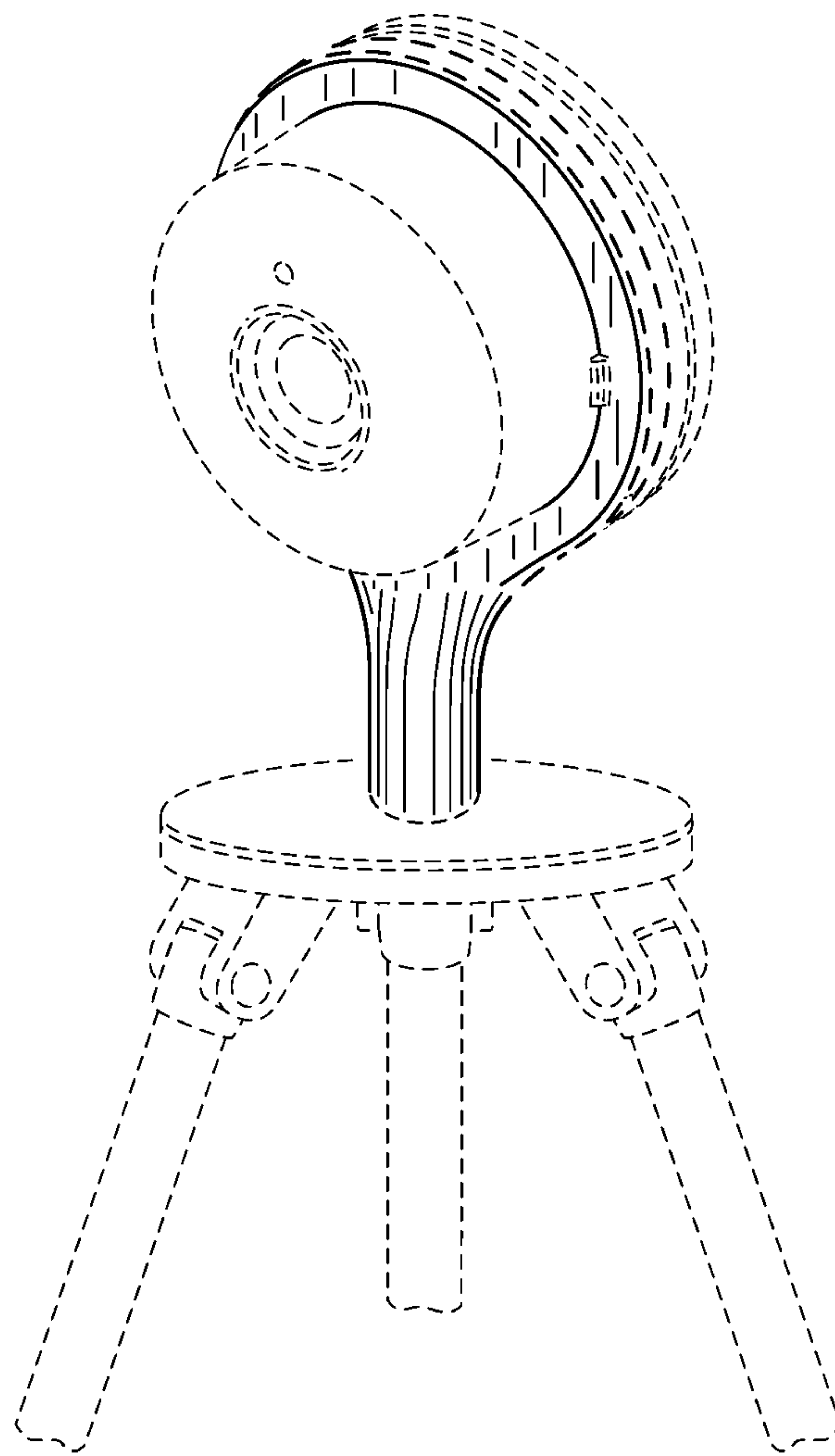


FIG. 8

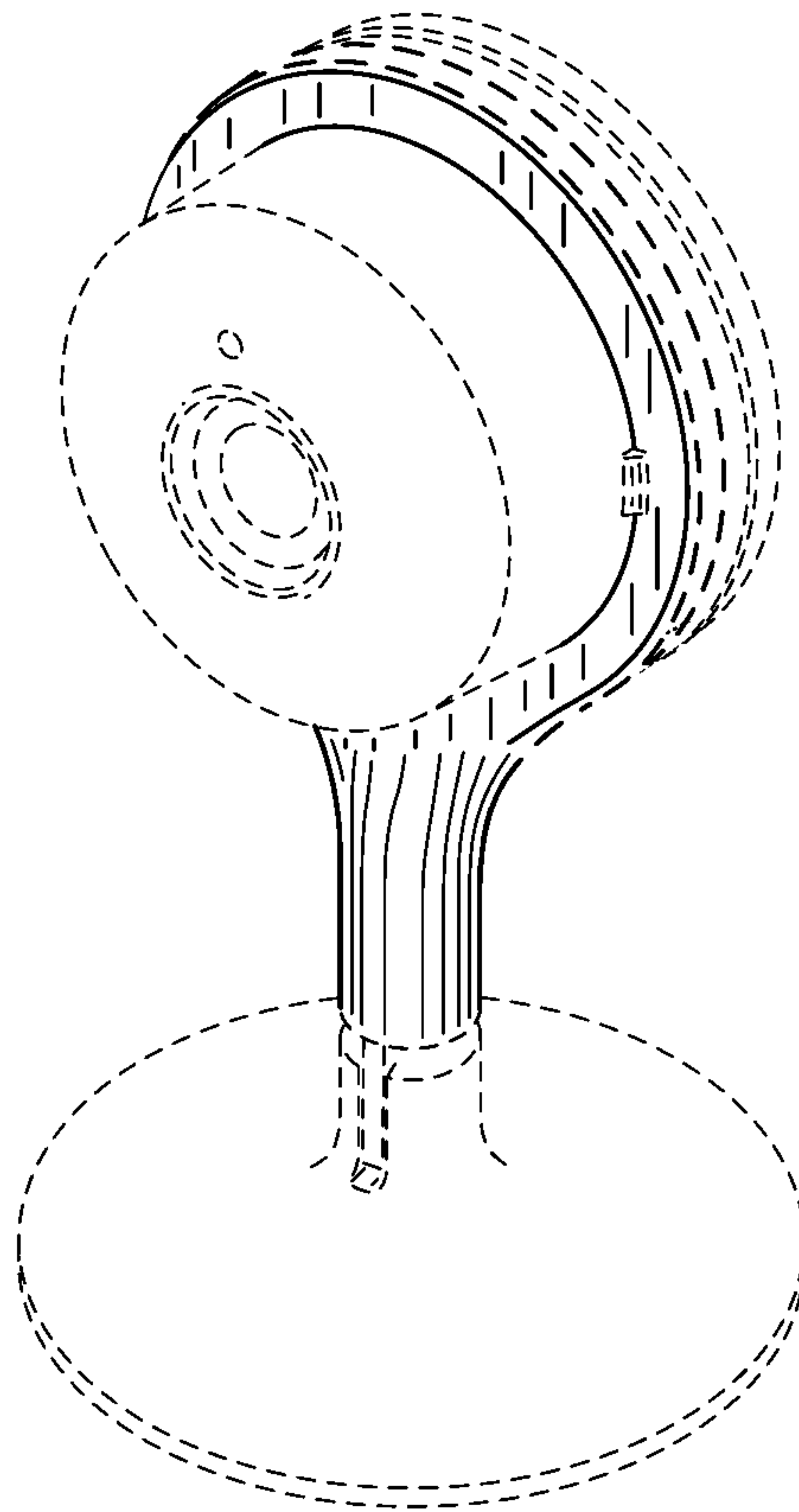


FIG. 9