



US00D807946S

(12) **United States Design Patent**  
**Flack et al.**

(10) **Patent No.:** **US D807,946 S**  
(45) **Date of Patent:** **\*\* Jan. 16, 2018**

(54) **CLIP FOR LIGHTING PRODUCTION USE**

(71) Applicants: **Michael Corey Flack**, Tampa, FL (US);  
**Michael Hewitt Rushing**, Los Angeles,  
CA (US); **Todd Robert Knichel**,  
Fairfield, NJ (US)

(72) Inventors: **Michael Corey Flack**, Tampa, FL (US);  
**Michael Hewitt Rushing**, Los Angeles,  
CA (US); **Todd Robert Knichel**,  
Fairfield, NJ (US)

(73) Assignee: **Ultimate Trading Corporation**,  
Fairfield, NJ (US)

(\*\*) Term: **15 Years**

(21) Appl. No.: **29/544,346**

(22) Filed: **Nov. 2, 2015**

(51) **LOC (11) Cl.** ..... **16-05**

(52) **U.S. Cl.**  
USPC ..... **D16/237**

(58) **Field of Classification Search**  
USPC ..... D16/200, 208, 213–219, 235, 237,  
D16/238–250; D14/209, 217, 224, 251;  
D8/307, 310, 349, 367; D26/113, 138,  
D26/140  
CPC ..... G03B 17/14; G03B 17/56; G03B  
17/561–17/568; G03B 15/041–15/0436;  
G02B 7/00–7/002; G02B 7/02–7/04;  
F16M 11/02; F16M 11/04; F16M 11/20;  
F16M 11/40

See application file for complete search history.

(56) **References Cited**

**U.S. PATENT DOCUMENTS**

2,082,522 A \* 6/1937 Scott ..... D06F 55/00  
24/566  
2,333,178 A \* 11/1943 Hoos ..... D06F 55/02  
24/510

D144,269 S \* 3/1946 Sulak ..... D32/64  
D160,305 S \* 10/1950 Dold ..... D32/64  
3,453,700 A \* 7/1969 Teague, Jr. .... D06F 55/02  
24/557  
D259,912 S \* 7/1981 Tontarelli ..... D14/261  
4,614,008 A \* 9/1986 Brill ..... D06F 55/02  
24/501  
D309,809 S \* 8/1990 Davidson ..... D32/61  
D340,328 S \* 10/1993 Dragoneas ..... D32/61  
D410,311 S \* 5/1999 Ancona ..... D21/598  
D649,581 S \* 11/2011 Foulger ..... D16/339  
D663,422 S \* 7/2012 Missanelli ..... D24/169  
D671,587 S \* 11/2012 Li ..... D16/237

**OTHER PUBLICATIONS**

Pro Darkroom Negative Clips For Hanging Film Strips. Weighted,  
Soft Tips. [online] Published date unknown. Retrieved on Mar. 16,  
2017 from <URL: <http://www.ebay.com/itm/Pro-Darkroom-Negative-Clips-For-Hanging-Film-Strips-Weighted-Soft-Tips-/121243928944?hash=item1c3ab38970:g:7f0AAOxyHE5Roejt>>.\*

\* cited by examiner

*Primary Examiner* — Vy N Koenig  
*Assistant Examiner* — Omeed Agilee

(74) *Attorney, Agent, or Firm* — Bakos & Kritzer

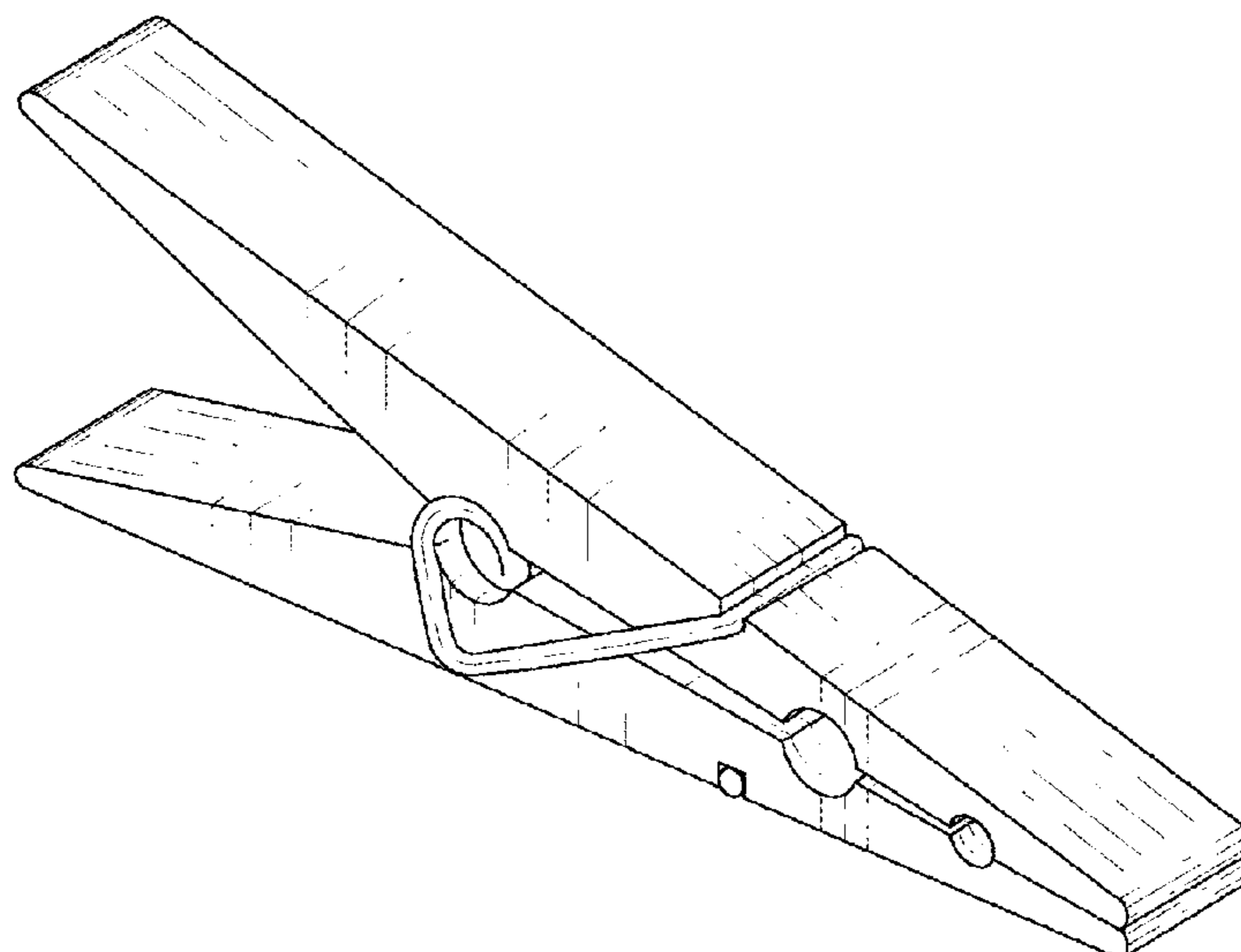
(57) **CLAIM**

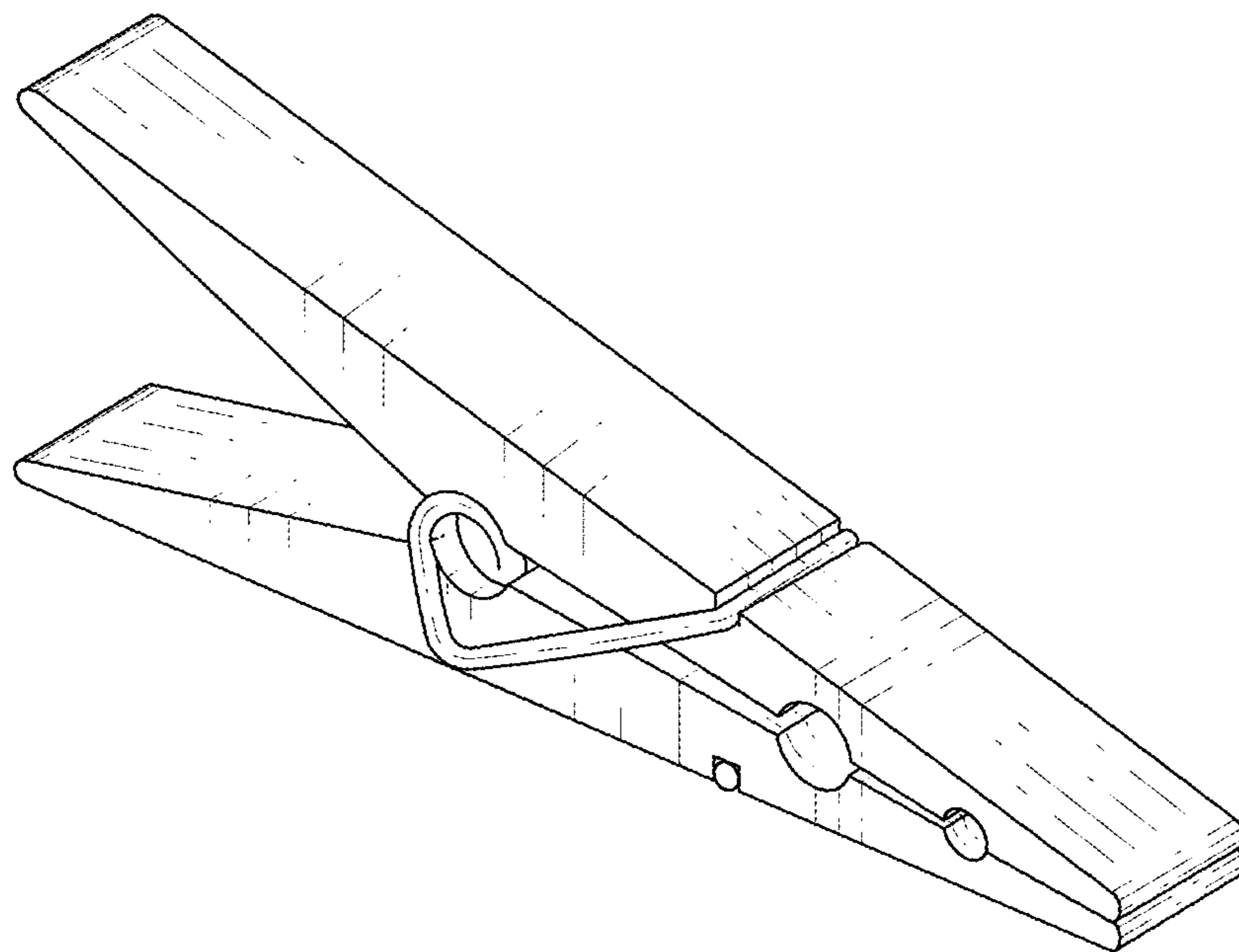
The ornamental design for a clip for lighting production use,  
as shown and described.

**DESCRIPTION**

FIG. 1 is a top, side, and back perspective view of a clip for  
lighting production use showing our new design;  
FIG. 2 is a side view thereof;  
FIG. 3 is a top view thereof;  
FIG. 4 is a front view thereof; and,  
FIG. 5 is a back view thereof.

**1 Claim, 4 Drawing Sheets**





*FIG. 1*

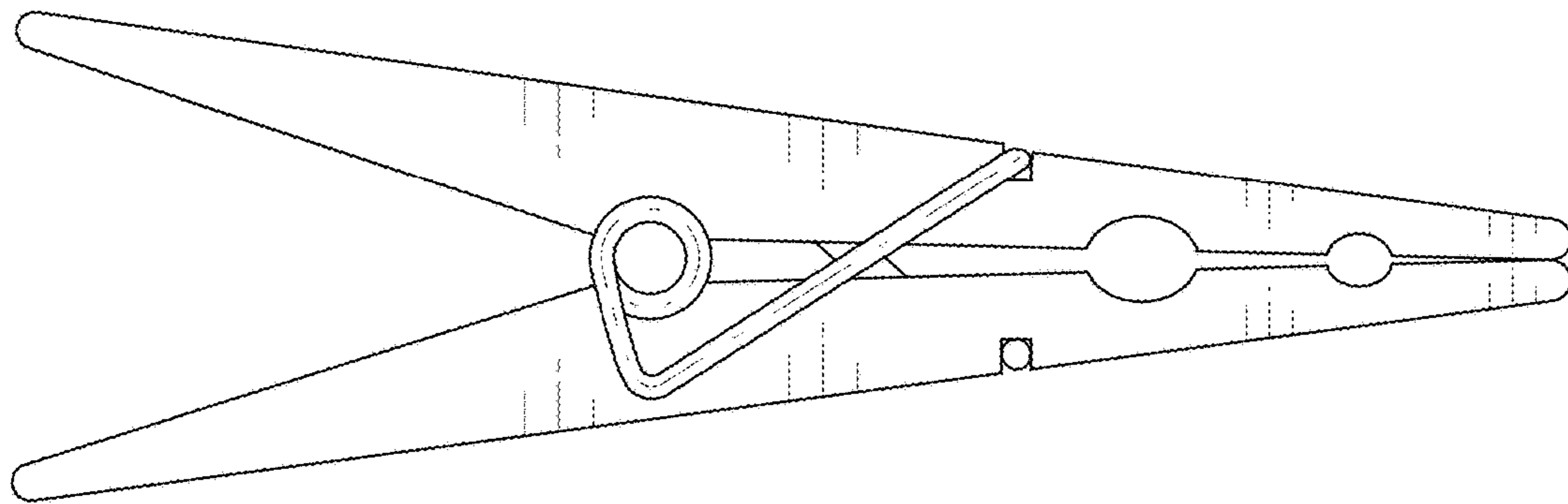
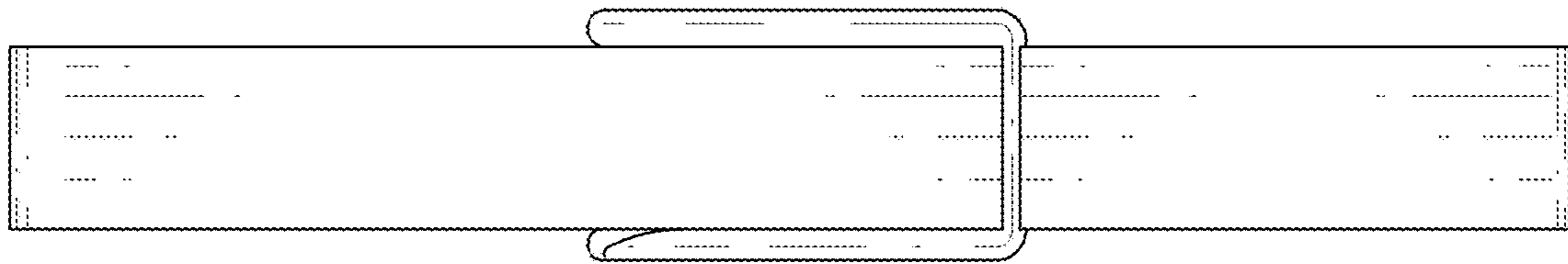


FIG. 2



*FIG. 3*

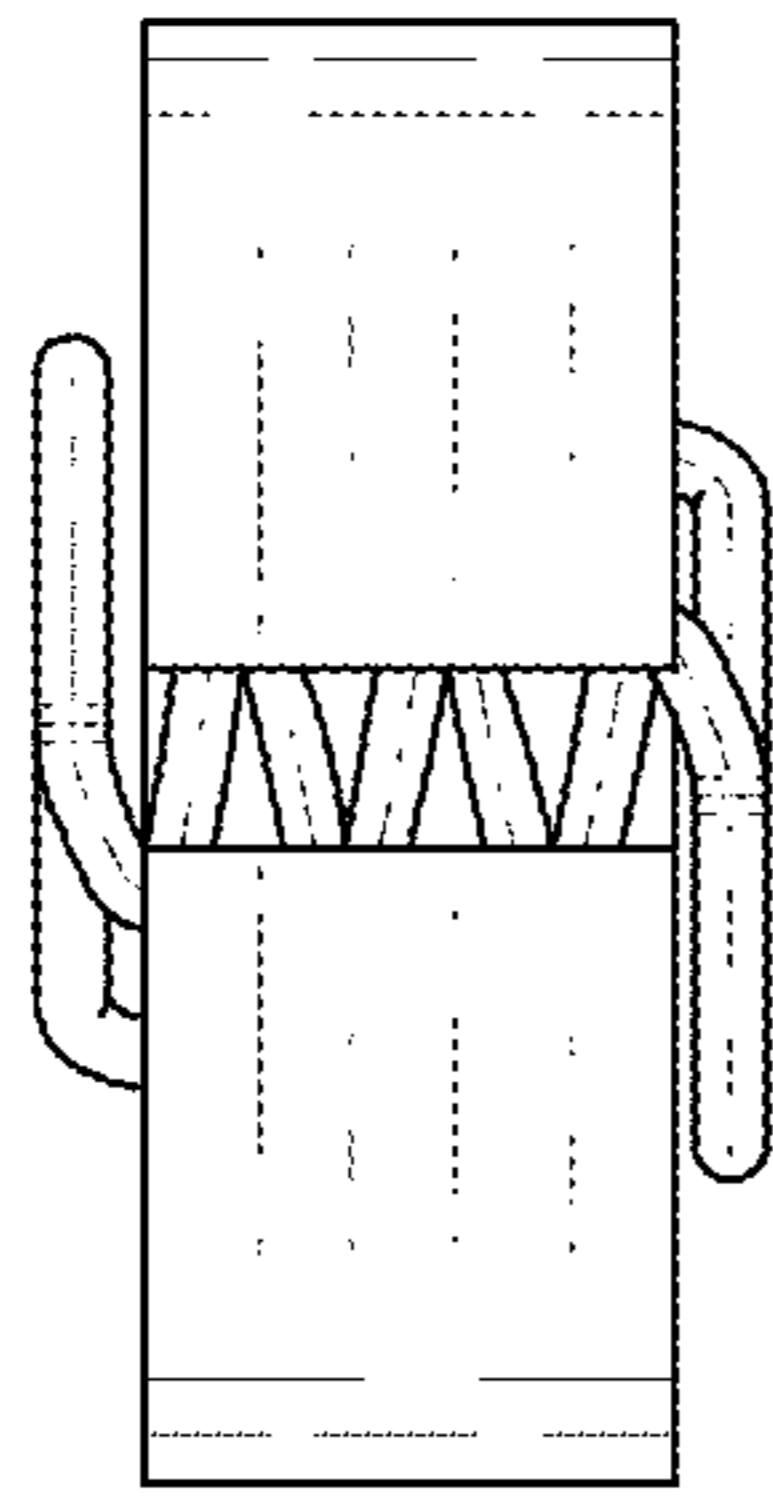


FIG. 4

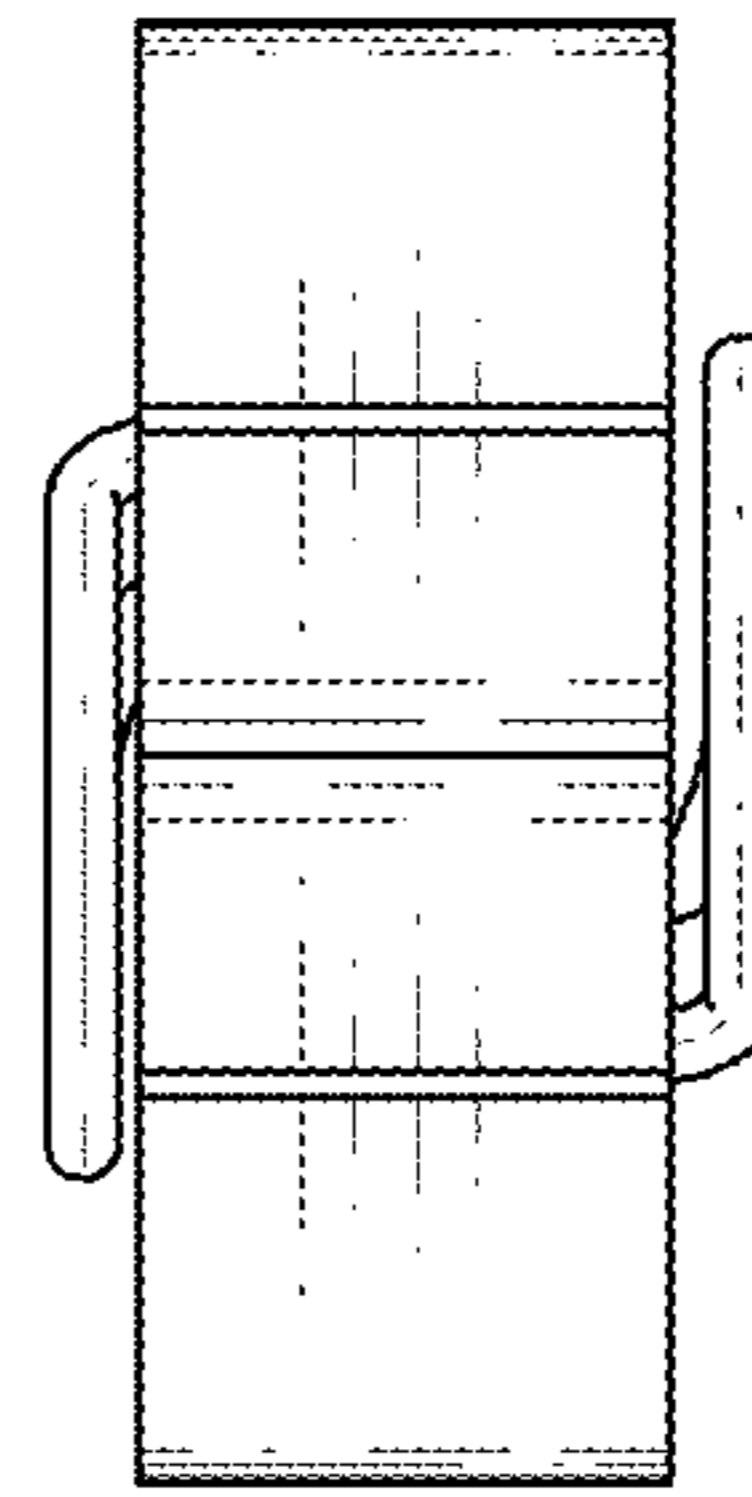


FIG. 5