



US00D807945S

(12) **United States Design Patent**
Otsuka

(10) **Patent No.:** **US D807,945 S**
(45) **Date of Patent:** **** Jan. 16, 2018**

(54) **LAMP UNIT FOR PROJECTOR**

(71) Applicant: **SEIKO EPSON CORPORATION,**
Tokyo (JP)

(72) Inventor: **Shingo Otsuka,** Matsumoto (JP)

(73) Assignee: **SEIKO EPSON CORPORATION,**
Tokyo (JP)

(**) Term: **15 Years**

(21) Appl. No.: **29/588,425**

(22) Filed: **Dec. 20, 2016**

(30) **Foreign Application Priority Data**

Jun. 24, 2016 (JP) 2016-013427

(51) **LOC (11) Cl.** **16-02**

(52) **U.S. Cl.**
USPC **D16/235**

(58) **Field of Classification Search**
USPC D16/221, 225, 235; D26/1, 24
CPC G03B 21/16; G03B 21/20; G03B 21/2006;
G03B 21/2026; G03B 21/2066; G03B
21/2093; H01J 61/523; F21V 29/503
See application file for complete search history.

(56) **References Cited**

U.S. PATENT DOCUMENTS

D673,202 S * 12/2012 Takizawa D16/235
D686,271 S * 7/2013 Tanaka D16/235

D689,915 S * 9/2013 Miyata D16/235
D707,282 S 6/2014 Tanaka
9,063,400 B2 * 6/2015 Tanaka G03B 21/16
D738,425 S * 9/2015 Miyata D16/235

FOREIGN PATENT DOCUMENTS

JP D1385774 S 4/2010

* cited by examiner

Primary Examiner — Wan Laymon

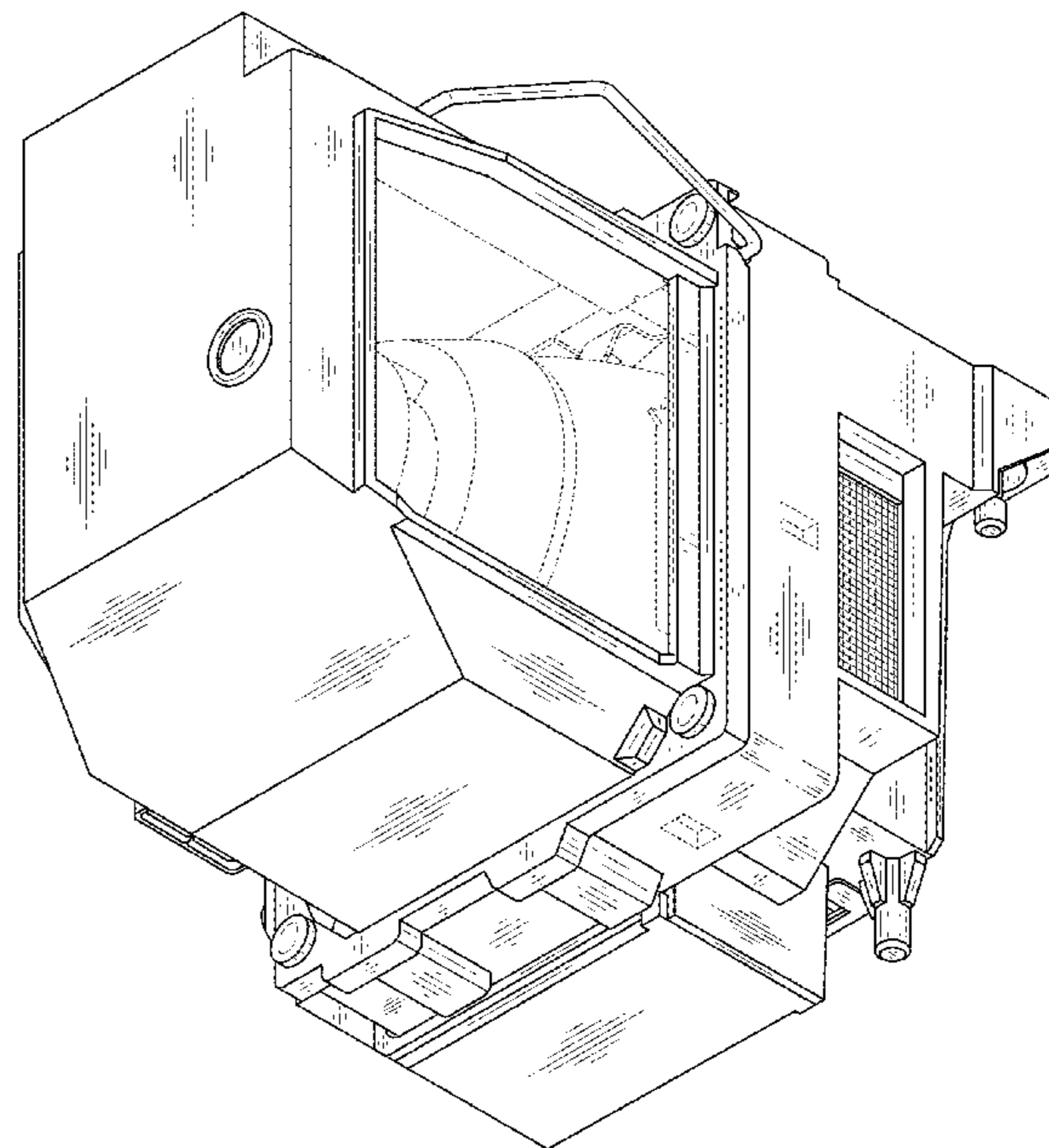
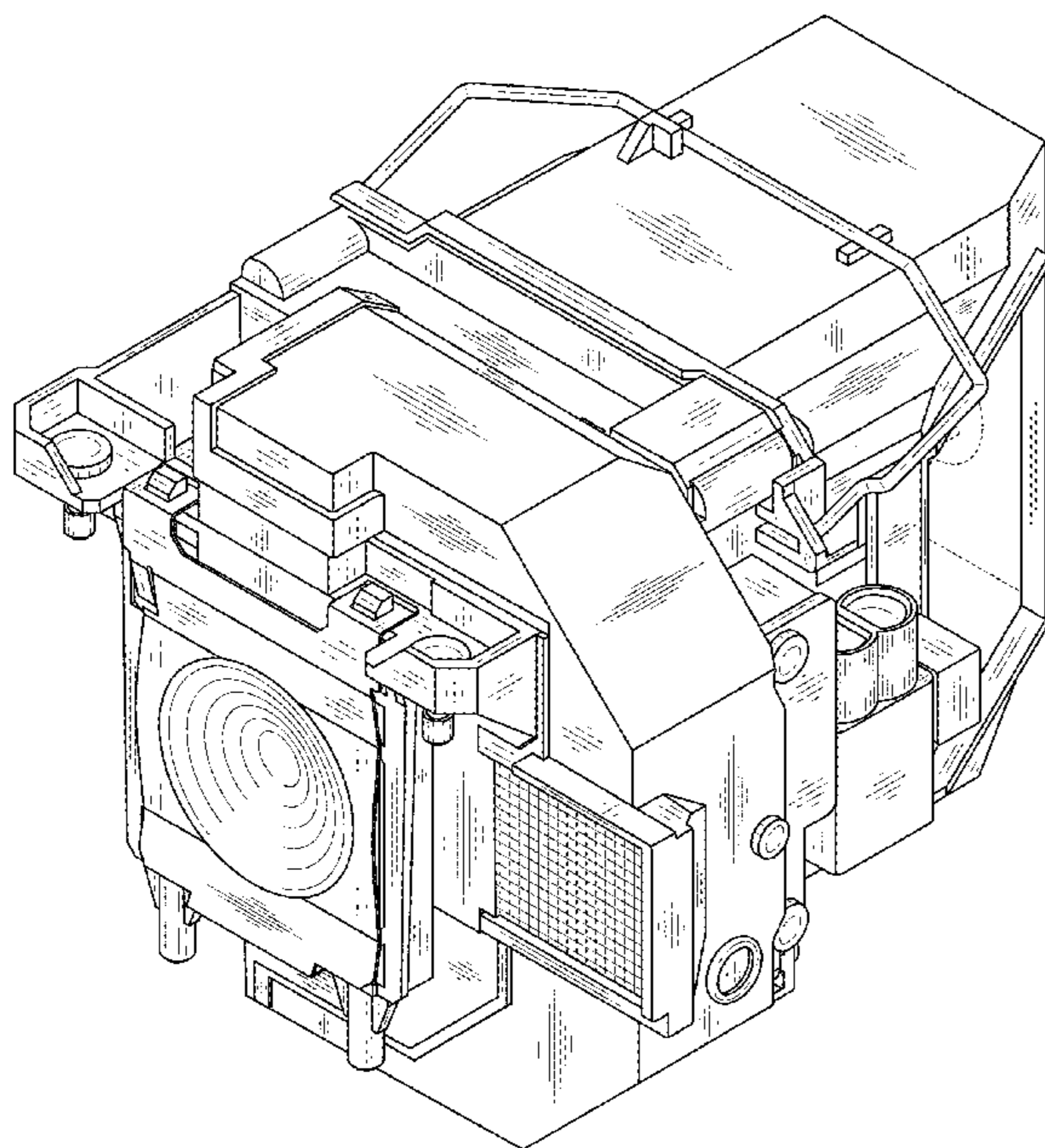
(57) **CLAIM**

The ornamental design for a lamp unit for projector, as shown and described.

DESCRIPTION

FIG. 1 is a front, top and right side perspective view of a lamp unit for projector showing my new design; FIG. 2 is a rear, bottom and left side perspective view thereof; FIG. 3 is a front view thereof; FIG. 4 is a rear view thereof; FIG. 5 is a top plan view thereof; FIG. 6 is a bottom plan view thereof; FIG. 7 is a right side view thereof; and, FIG. 8 is a left side view thereof. The broken lines illustrate portions of the lamp unit for projector and form no part of the claimed design.

1 Claim, 8 Drawing Sheets



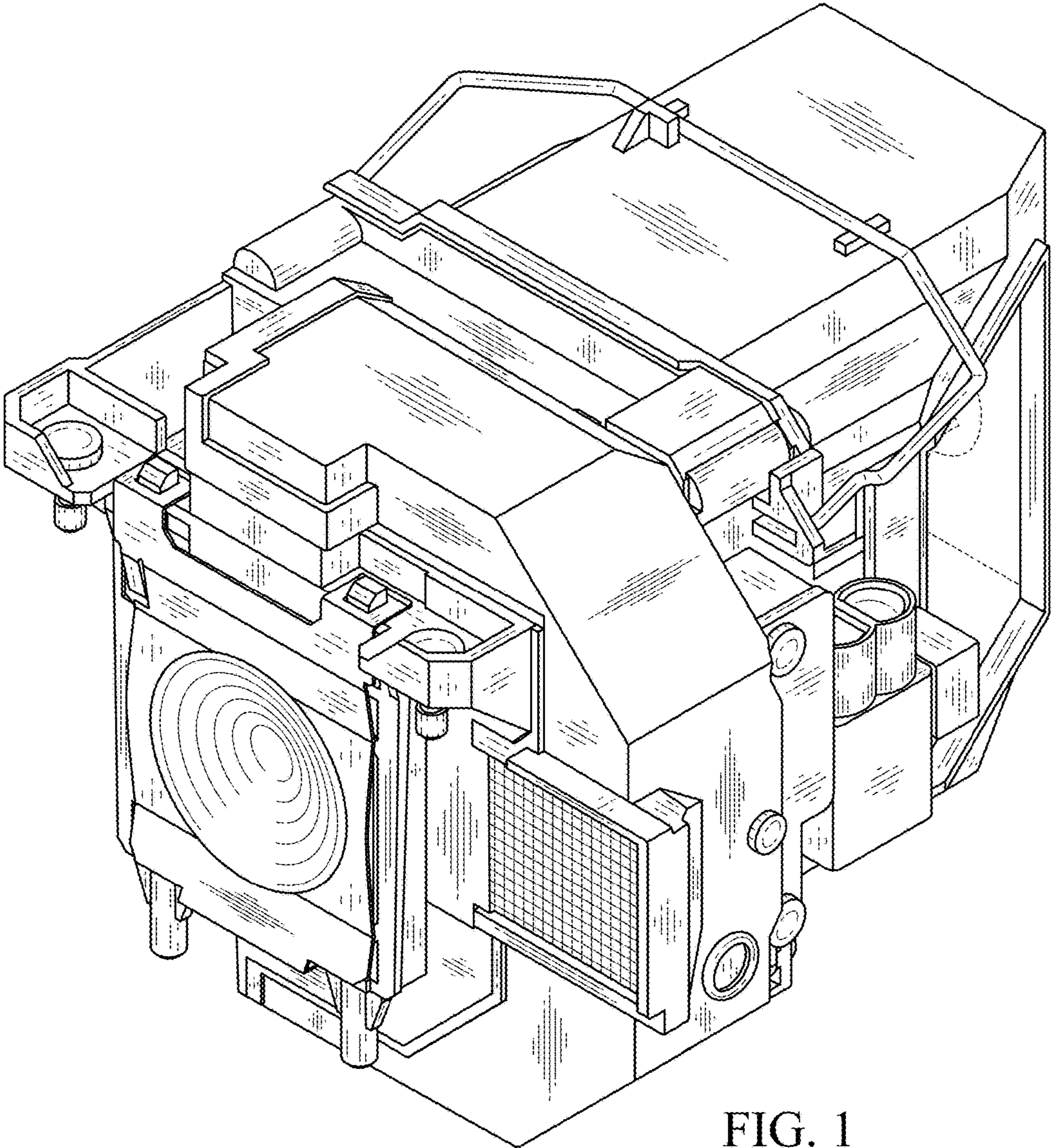


FIG. 1

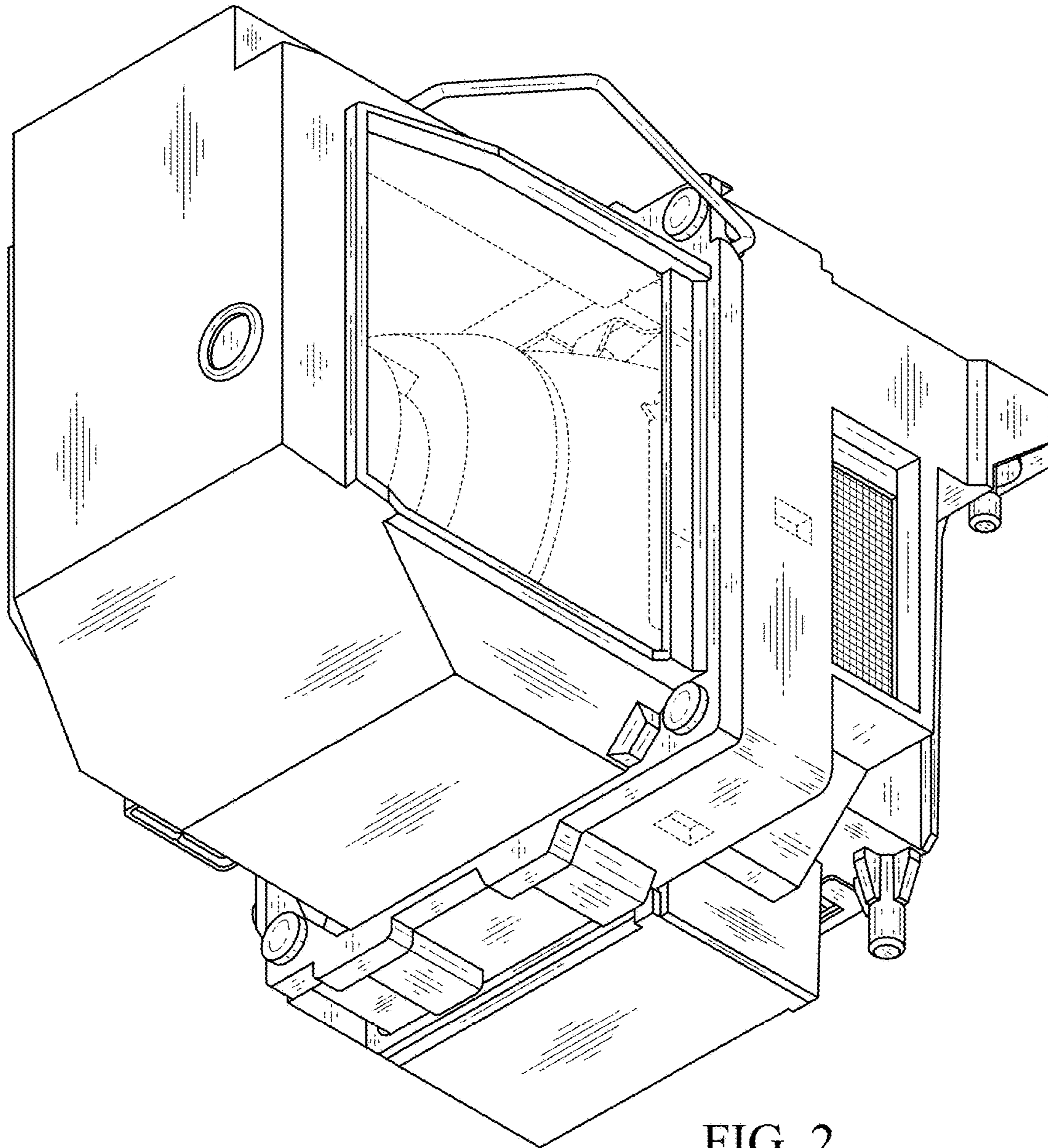


FIG. 2

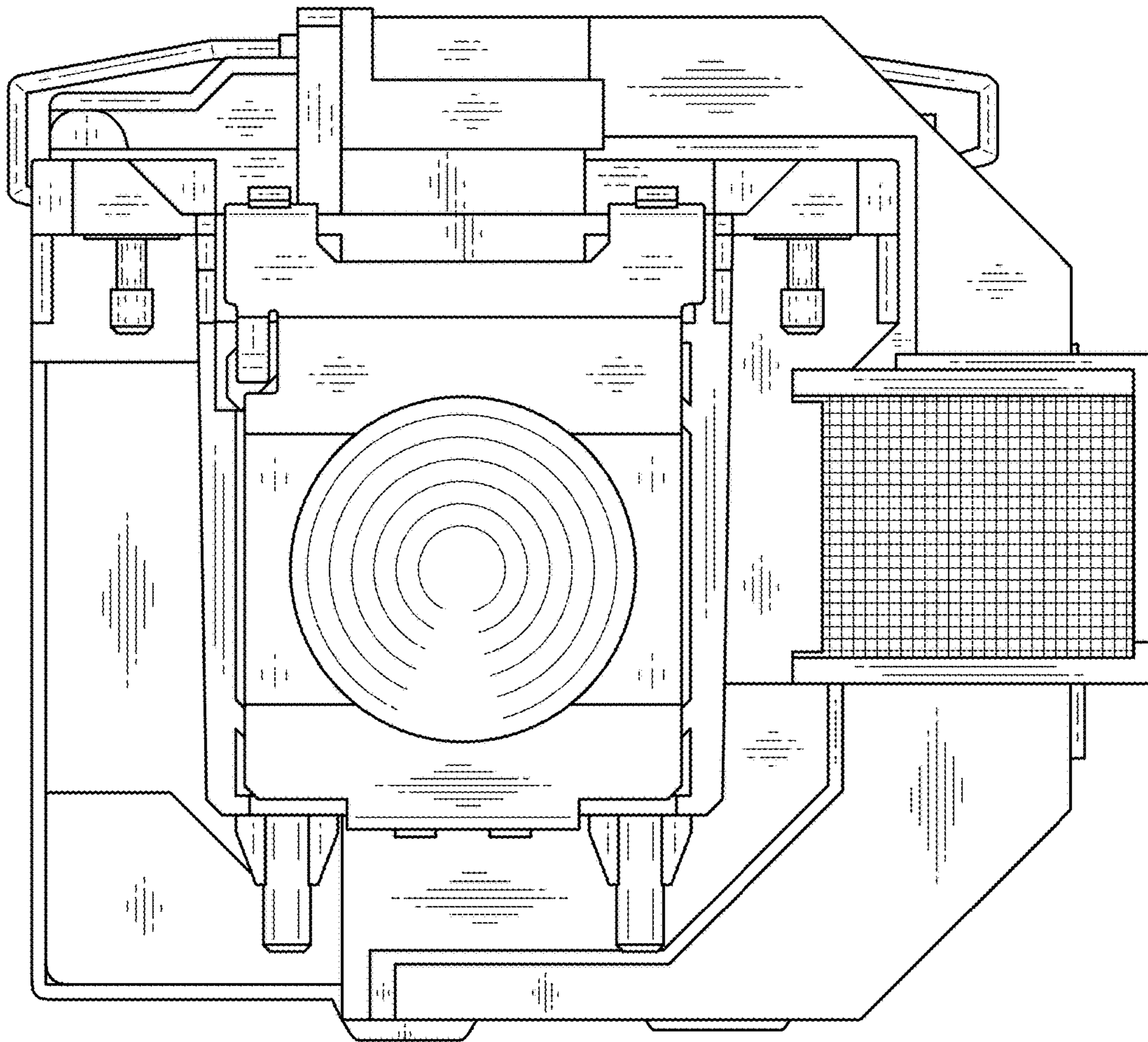


FIG. 3

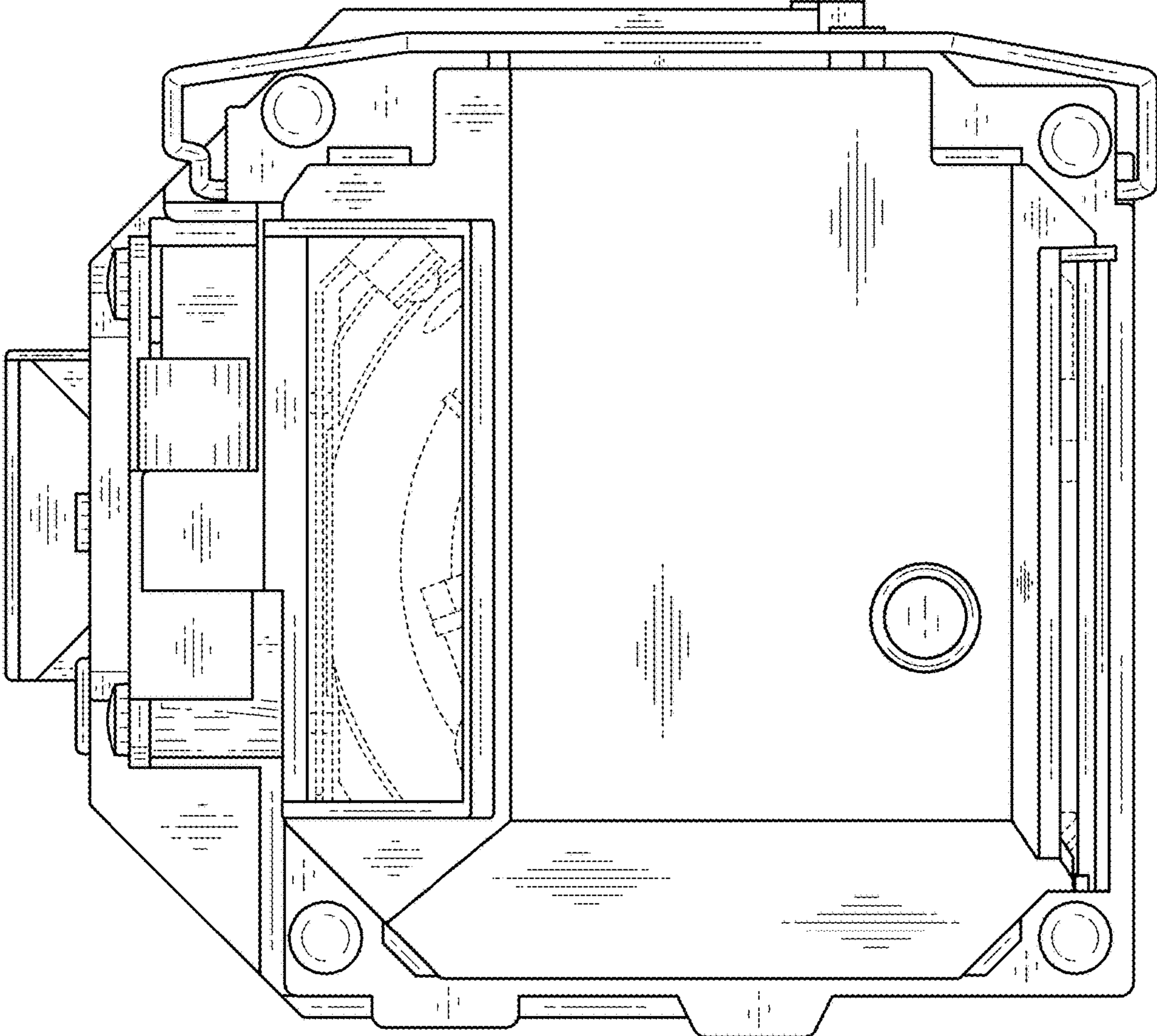


FIG. 4

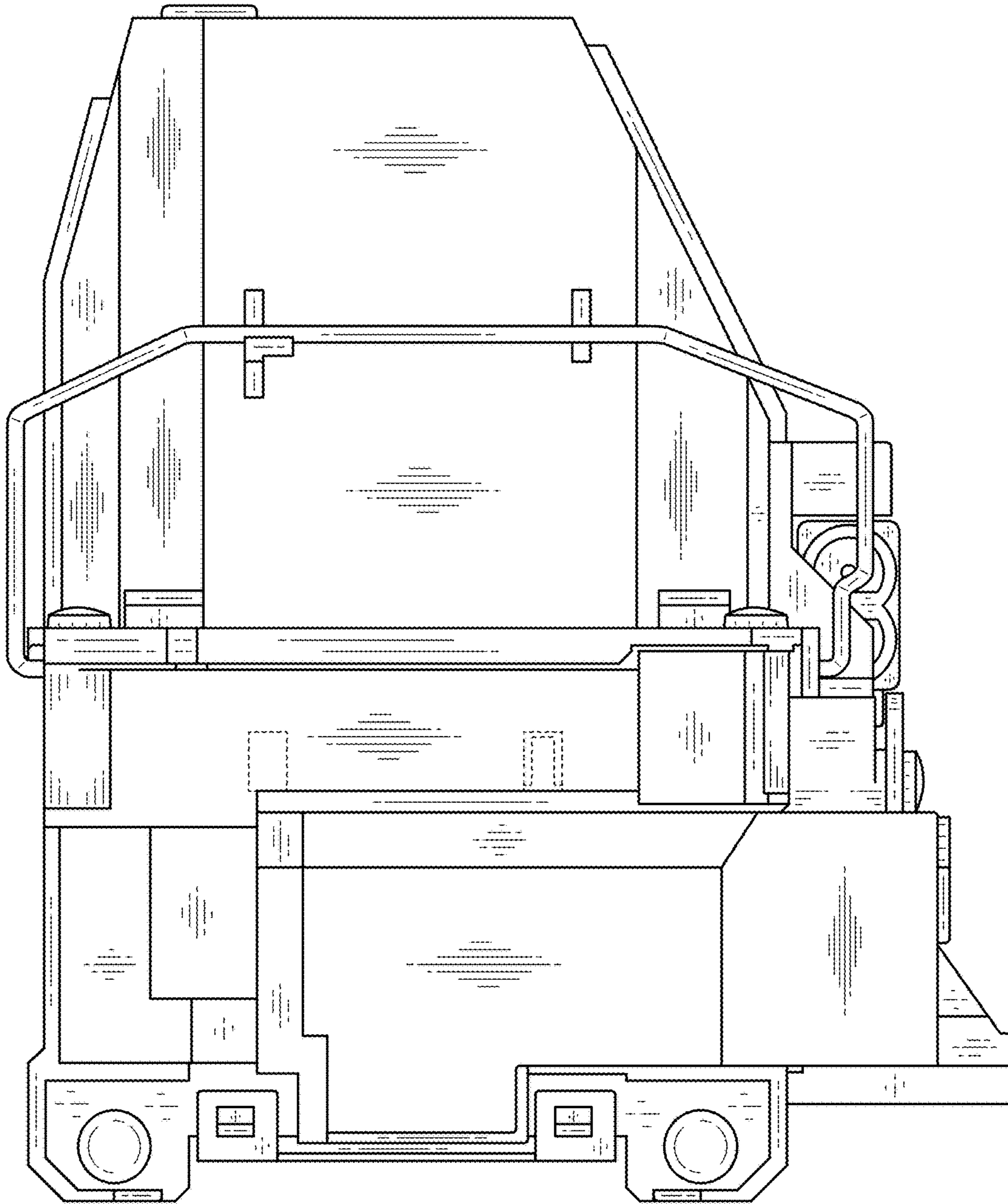


FIG. 5

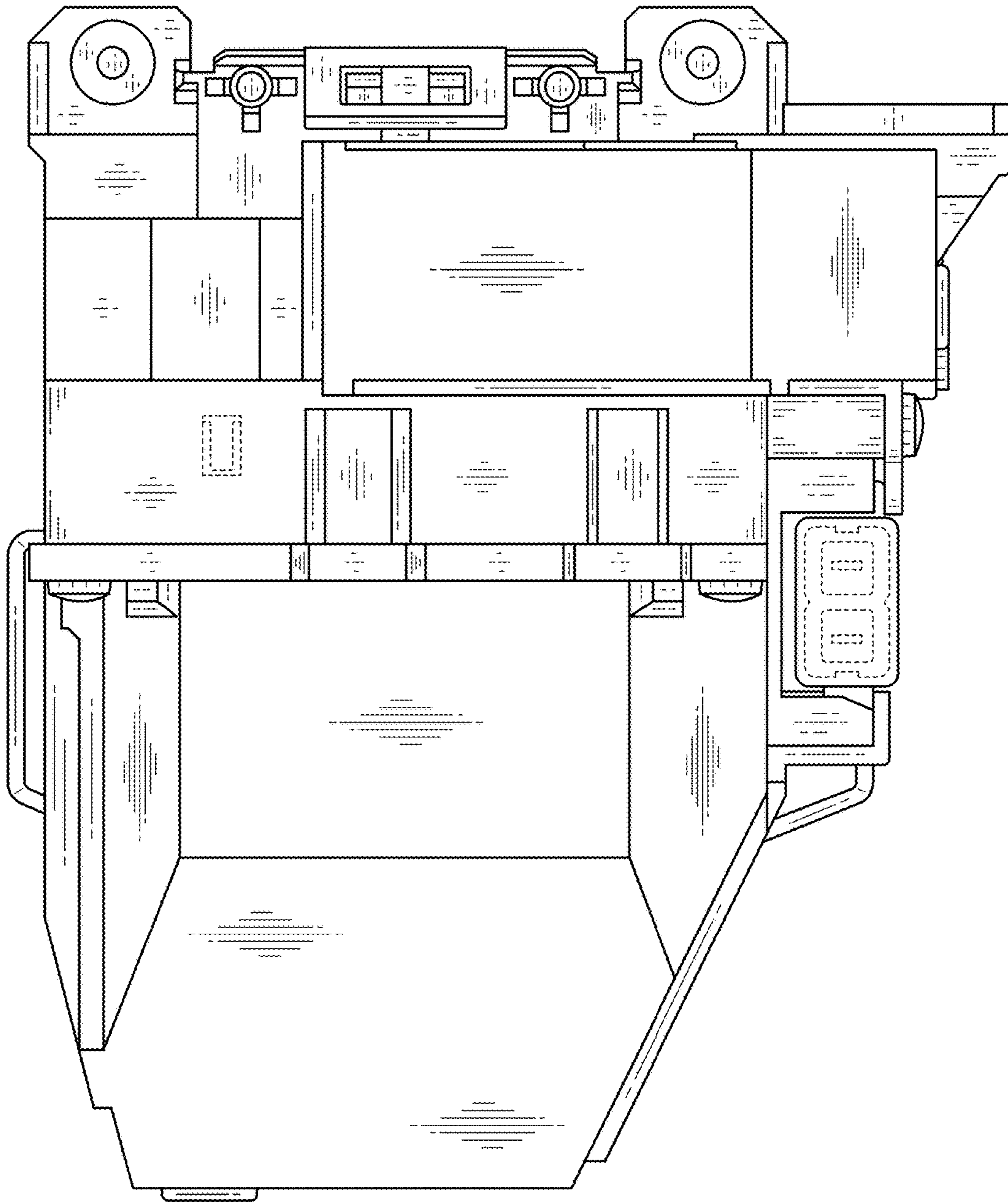


FIG. 6

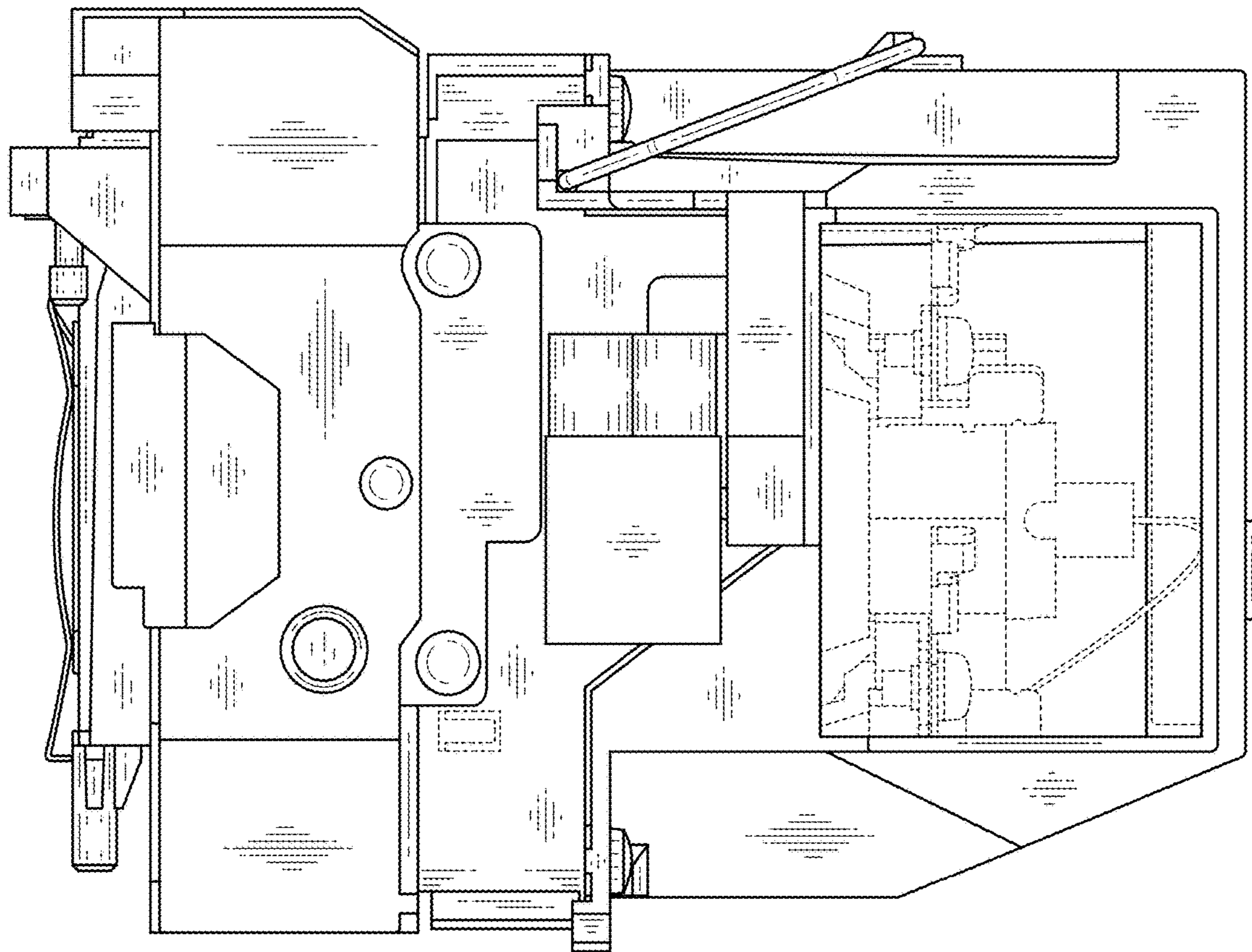


FIG. 7

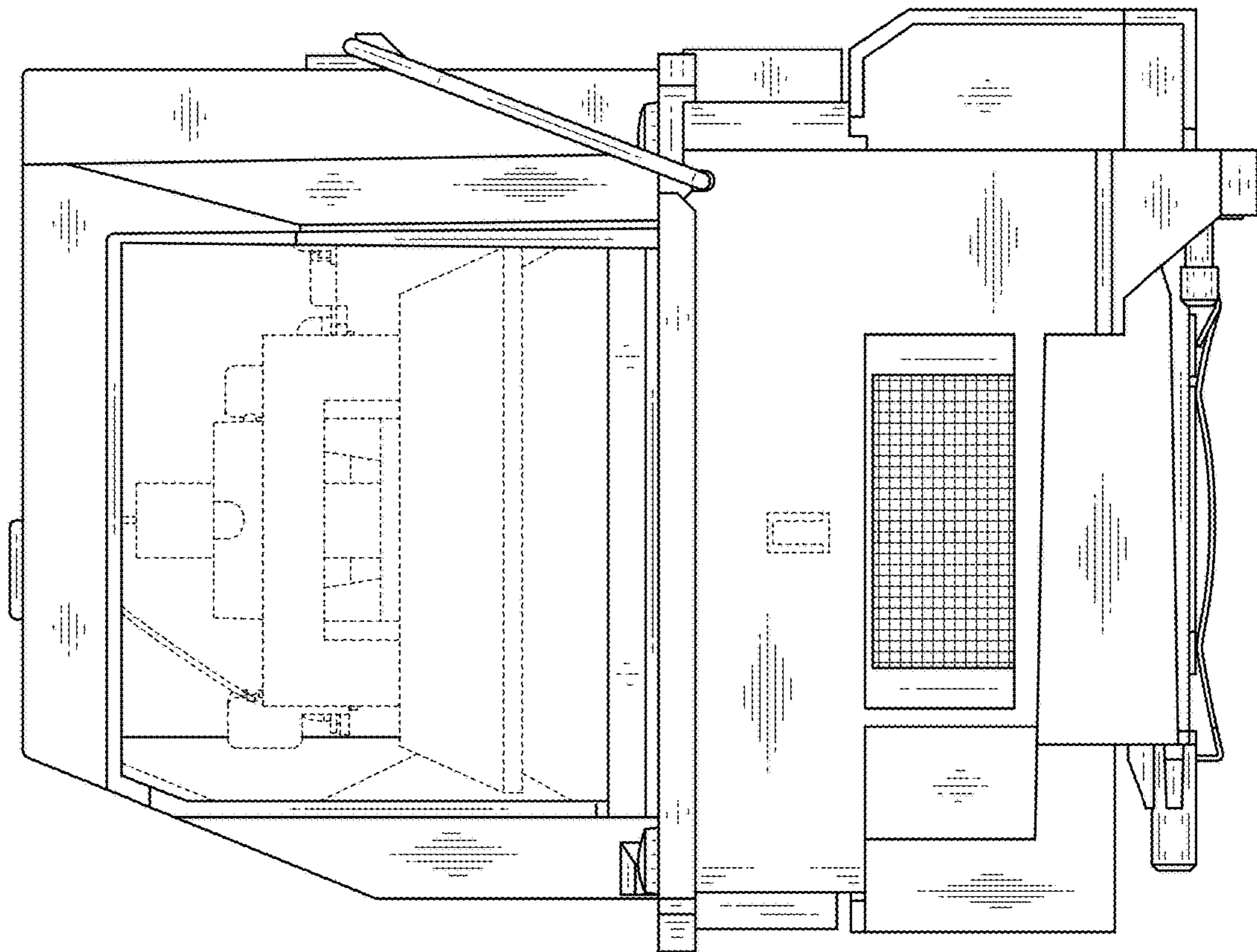


FIG. 8