

US00D807943S

(12) **United States Design Patent**
Inagaki et al.

(10) **Patent No.:** **US D807,943 S**
(45) **Date of Patent:** **** Jan. 16, 2018**

(54) **CAMERA FOR PHOTOGRAPH VENDING MACHINE**

(71) Applicant: **FURYU CORPORATION**, Tokyo (JP)

(72) Inventors: **Ryoko Inagaki**, Tokyo (JP); **Hideaki Furukawa**, Tokyo (JP); **Shingo Hamaguchi**, Tokyo (JP); **Sadayasu Araki**, Tokyo (JP); **Tsuneo Okada**, Tokyo (JP); **Wakako Sakahara**, Tokyo (JP); **Michiyo Wakayoshi**, Tokyo (JP)

(73) Assignee: **FURYU CORPORATION**, Tokyo (JP)

(**) Term: **15 Years**

(21) Appl. No.: **29/553,229**

(22) Filed: **Jan. 29, 2016**

Related U.S. Application Data

(62) Division of application No. 29/474,985, filed on Mar. 11, 2015, now Pat. No. Des. 752,127.

(30) **Foreign Application Priority Data**

Sep. 16, 2014 (JP) 2014-020461

(51) **LOC (11) Cl.** **16-01**

(52) **U.S. Cl.**
USPC **D16/215**

(58) **Field of Classification Search**
USPC D16/200, 202–206, 212, 214–216, 218, D16/219, 227, 229, 239, 240, 242, 244; D25/16; 52/27.5, 29, 36.1; 348/373–376; 396/2, 3, 5, 419, 424, 427, 396/429, 535, 539–541; 455/575.3
CPC G03B 15/00; G03B 15/03; G03B 15/06; G03B 17/02; G03B 17/04; G03B 17/53; G03B 17/56; G03B 19/04; H04N 5/2251; H04N 5/2252; H04N 5/2253; H04N 5/2254; H04N 2101/00

See application file for complete search history.

(56) **References Cited**

U.S. PATENT DOCUMENTS

D175,156 S	*	7/1955	Crapsey	D16/227
D176,980 S		2/1956	Hodgman	
D186,473 S		10/1959	Hodgman	
D224,982 S	*	10/1972	Conner	D16/200
D324,873 S	*	3/1992	Thayer	D16/215
D408,835 S		4/1999	Tiedemann et al.	
D461,253 S		8/2002	Peck	
D480,406 S		10/2003	Tudico	
D633,933 S		3/2011	Van Schalkwyk	
D647,938 S		11/2011	Geddes	

(Continued)

Primary Examiner — Philip S Hyder

Assistant Examiner — Ramzi Almatrahi

(74) *Attorney, Agent, or Firm* — Capitol City TechLaw

(57) **CLAIM**

The ornamental design for a camera for photograph vending machine, as shown and described.

DESCRIPTION

FIG. 1 is a front, top, and right side perspective view of a camera for photograph vending machine showing our new design;

FIG. 2 is a rear, top, and left side perspective view thereof;

FIG. 3 is a front view thereof;

FIG. 4 is a rear view thereof;

FIG. 5 is a top view thereof;

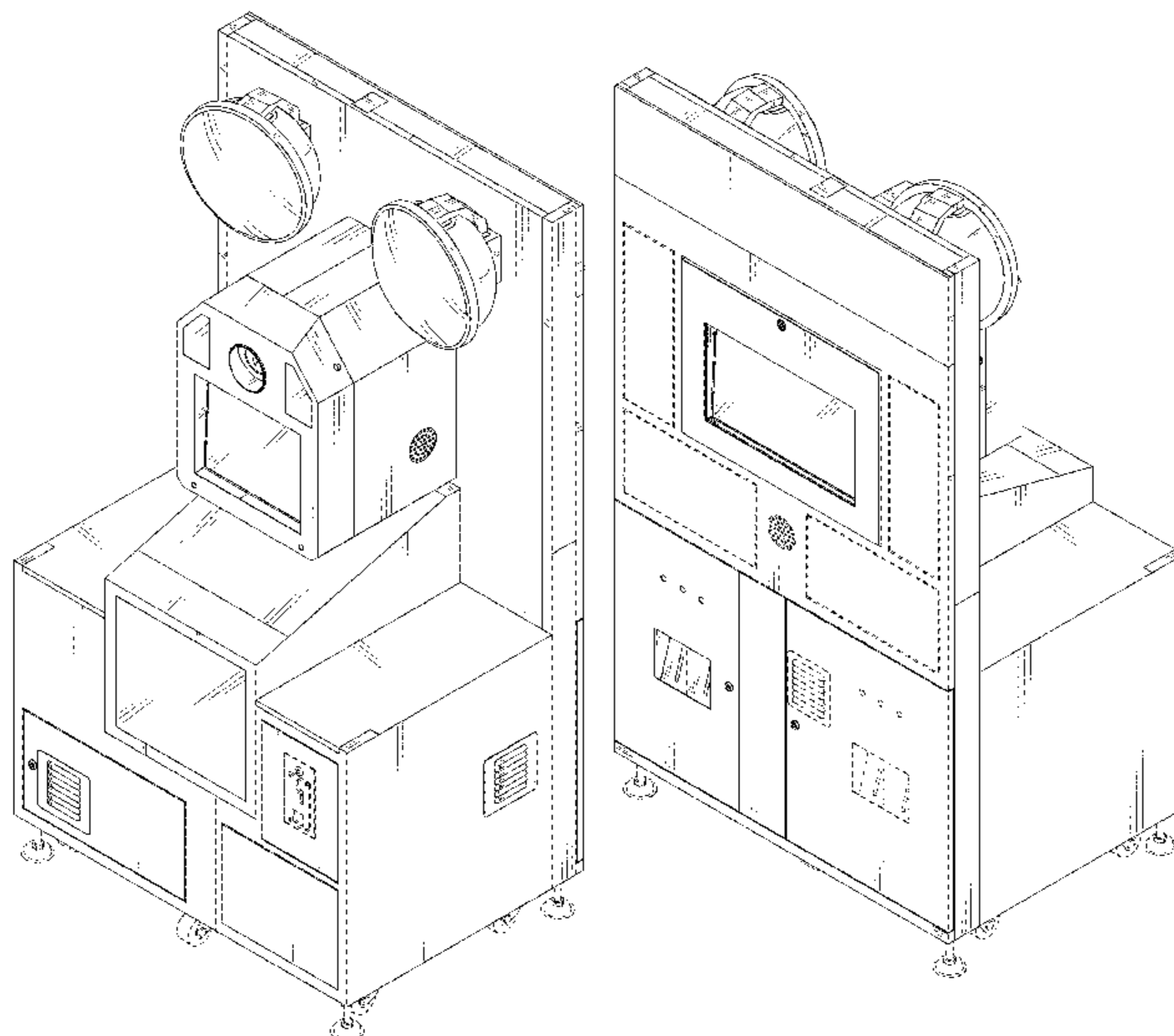
FIG. 6 is a bottom view thereof;

FIG. 7 is a right side view thereof; and,

FIG. 8 is a left side view thereof.

The broken lines shown in the figures depict portions of the camera for photograph vending machine in which the design is embodied and form no part of the claimed design.

1 Claim, 8 Drawing Sheets



(56)

References Cited

U.S. PATENT DOCUMENTS

D692,474 S	10/2013	Thorpe	
D707,745 S	6/2014	Hernandez	
D727,992 S	4/2015	Tu et al.	
D729,296 S *	5/2015	Shelton	D16/202
D731,575 S	6/2015	Moss	
D755,876 S *	5/2016	Moss	D16/214
D785,694 S *	5/2017	Fujii	D16/214
2004/0126104 A1	7/2004	Clark et al.	
2011/0211819 A1	9/2011	Reno	

* cited by examiner

FIG. 1

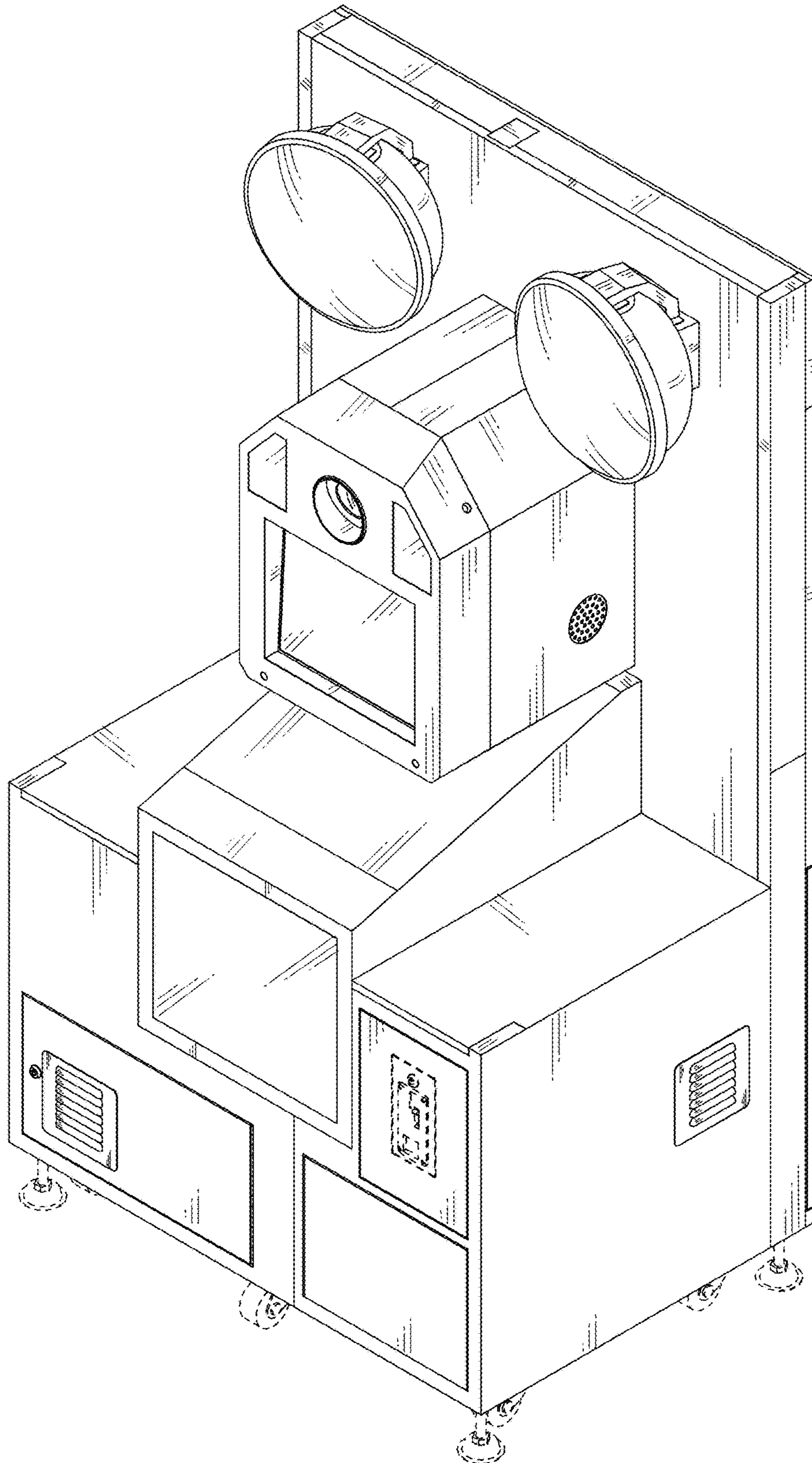


FIG. 2

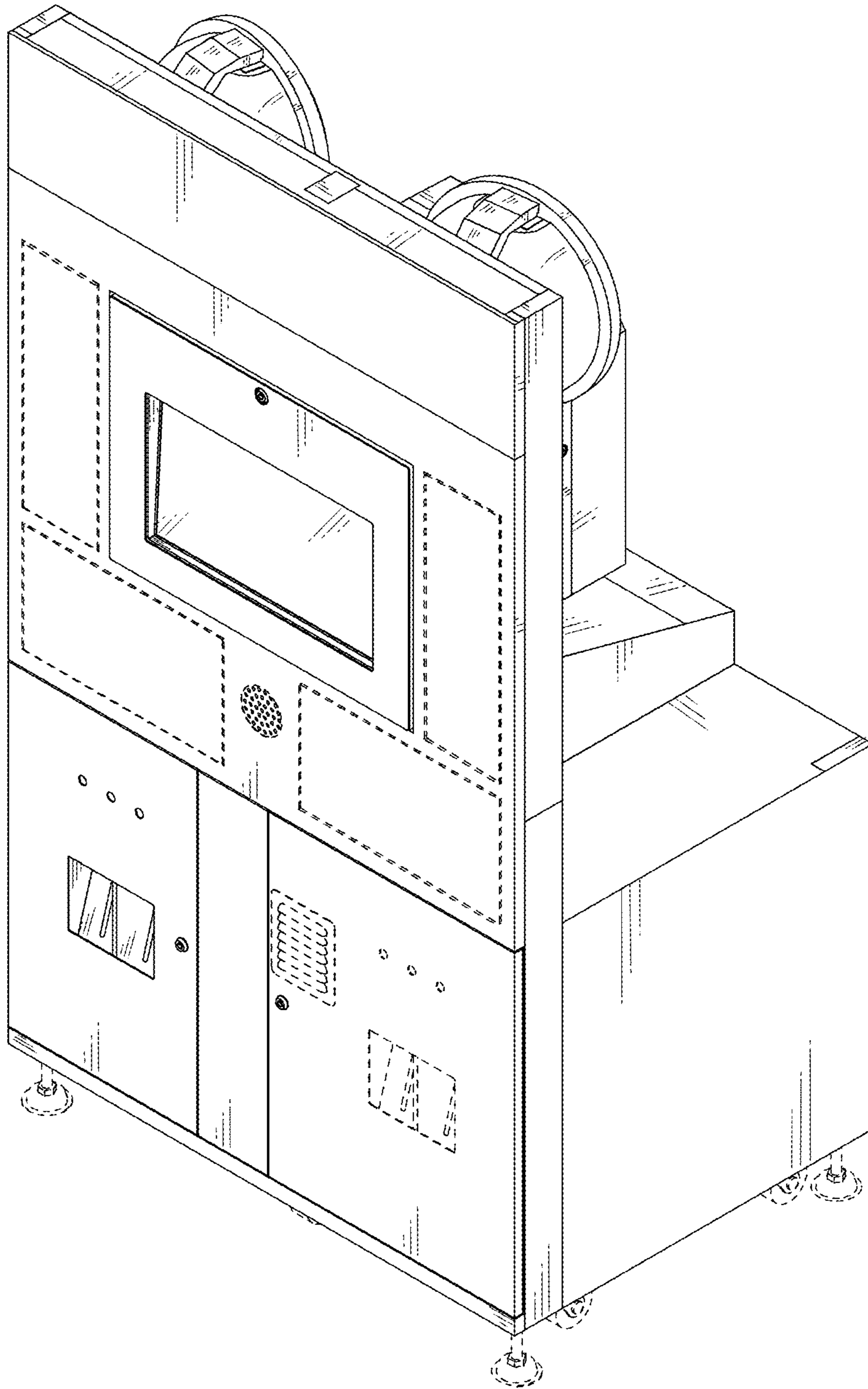


FIG. 3

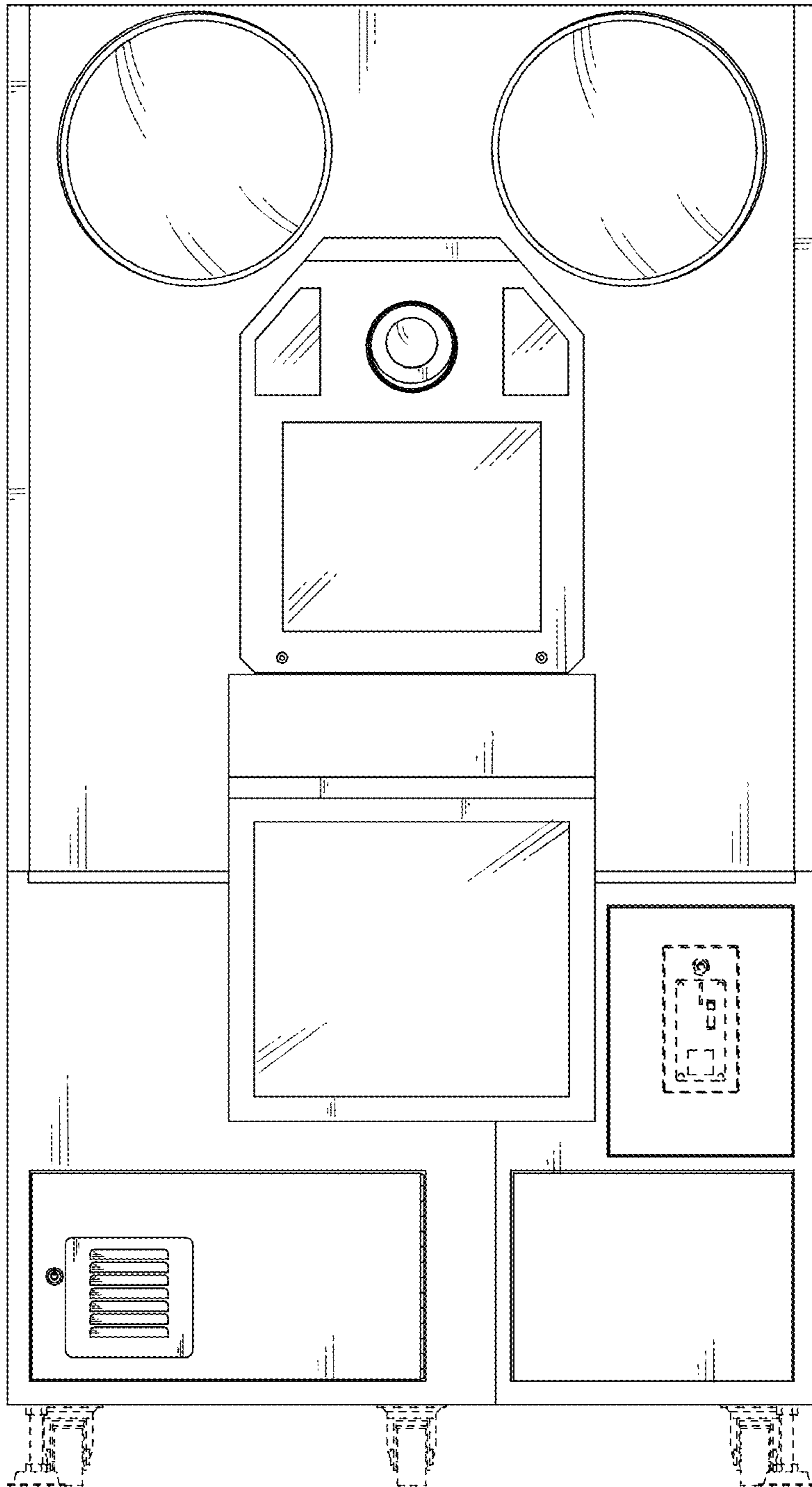


FIG. 4

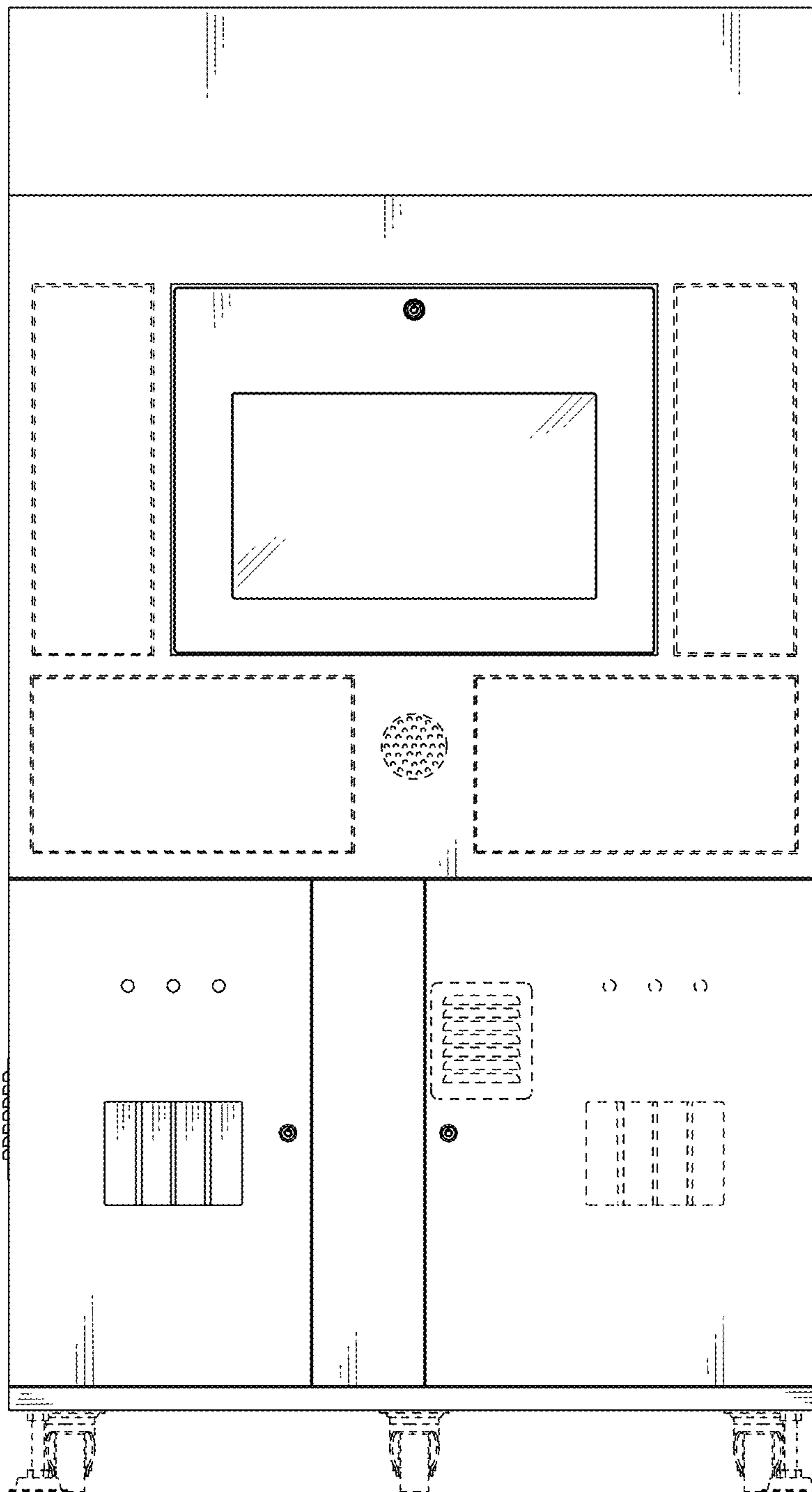


FIG. 5

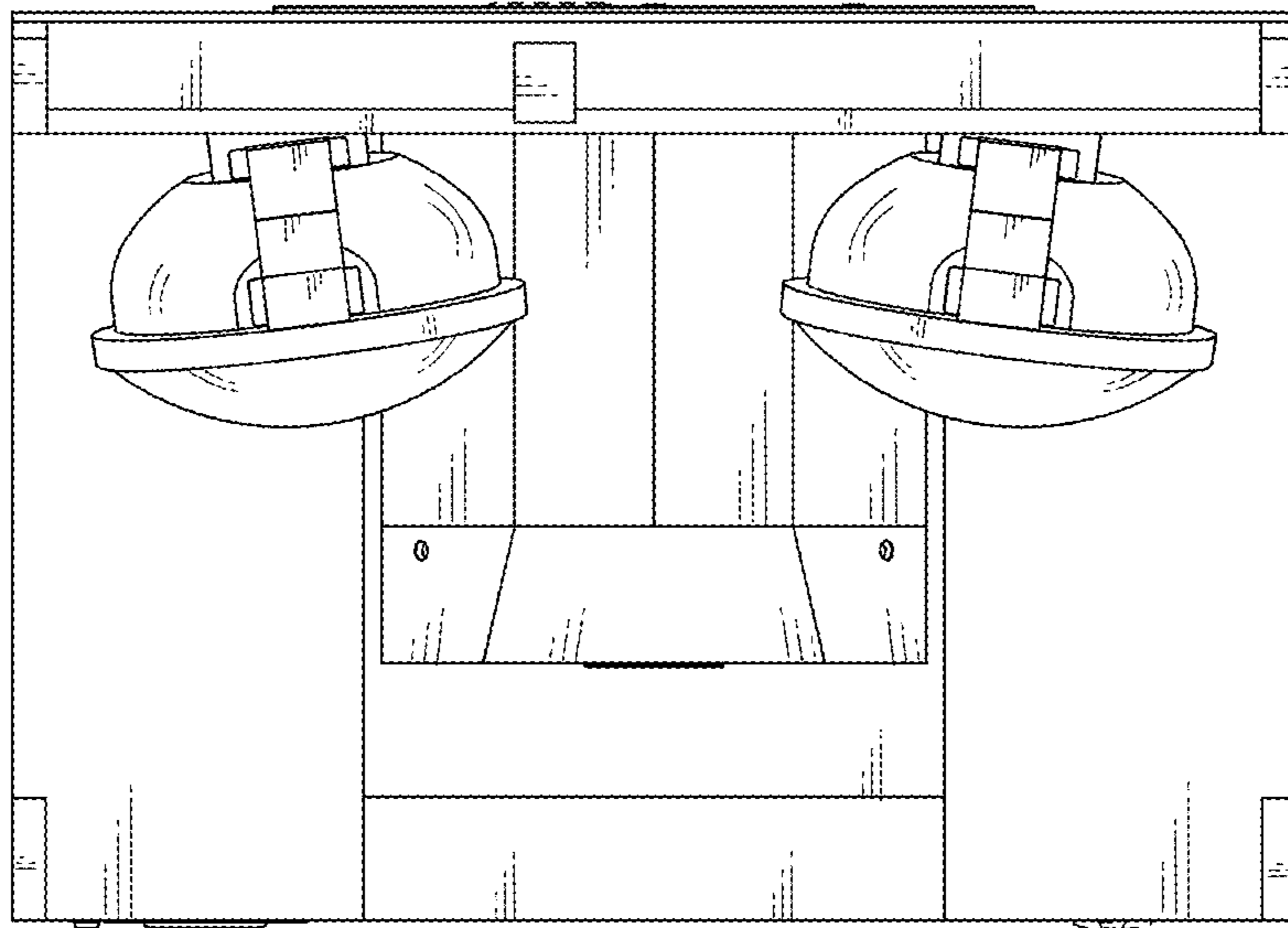


FIG. 6

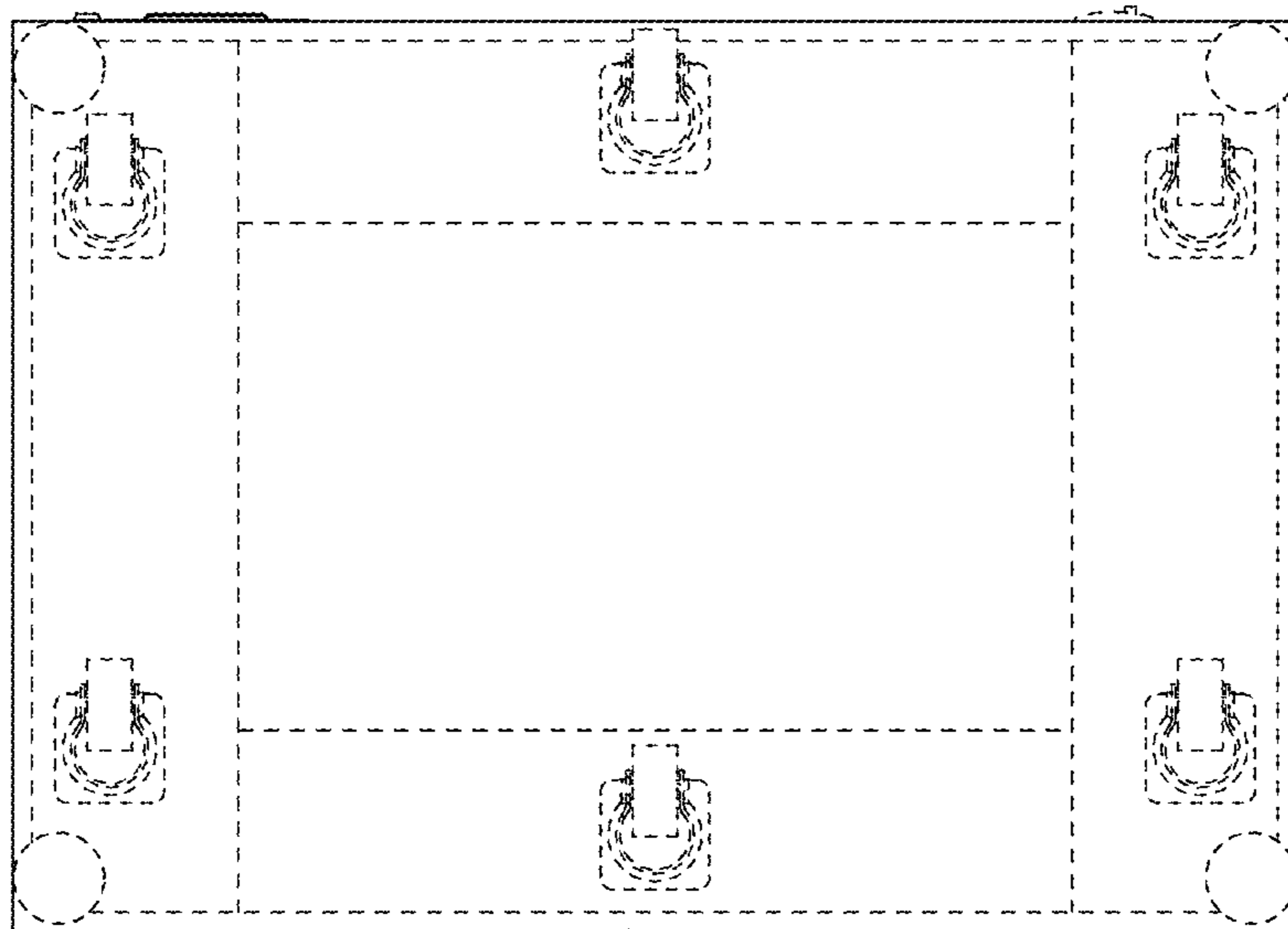


FIG. 7

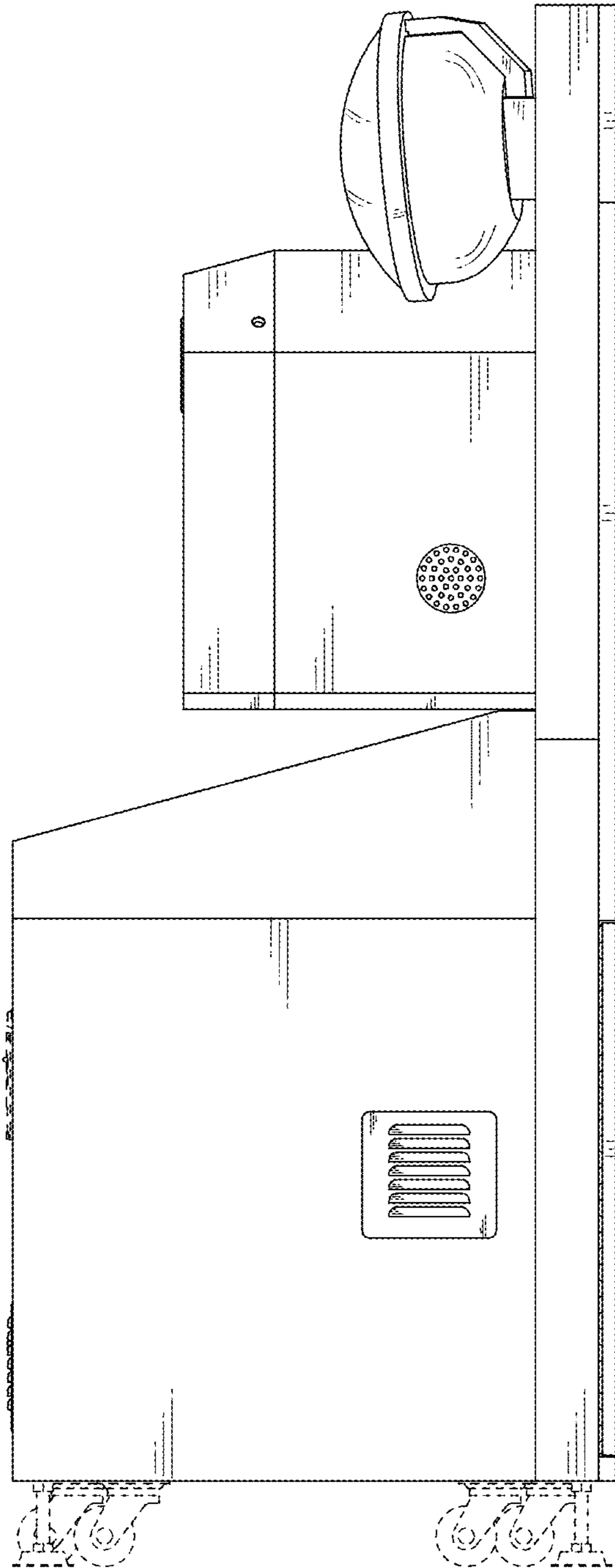


FIG. 8

