



US00D807942S

(12) **United States Design Patent**
Kim et al.

(10) **Patent No.:** **US D807,942 S**
(45) **Date of Patent:** **** Jan. 16, 2018**

(54) **SURVEILLANCE CAMERA**

(56) **References Cited**

(71) Applicant: **LG ELECTRONICS INC.**, Seoul (KR)

U.S. PATENT DOCUMENTS

(72) Inventors: **Kyungmin Kim**, Seoul (KR); **Hwayun Choi**, Seoul (KR); **Gangho Woo**, Seoul (KR)

D214,703 S *	7/1969	Kiven	D16/203
D273,012 S *	3/1984	Kozloski	D16/203
D282,068 S *	1/1986	Claggett	D14/239
D339,061 S *	9/1993	Kilmartin, III	D9/418
D356,033 S *	3/1995	Horvat	D9/430
D403,340 S *	12/1998	Arbuckle	D16/203
D480,725 S *	10/2003	Funato	D14/383
D486,843 S *	2/2004	Takahashi	D16/202

(73) Assignee: **LG ELECTRONICS INC.**, Seoul (KR)

(Continued)

(**) Term: **15 Years**

FOREIGN PATENT DOCUMENTS

(21) Appl. No.: **29/565,937**

EM 003119940-001 * 5/2016

(22) Filed: **May 25, 2016**

Primary Examiner — Barbara Fox

Assistant Examiner — Mary C Ramirez

(30) **Foreign Application Priority Data**

(74) *Attorney, Agent, or Firm* — Birch, Stewart, Kolasch & Birch, LLP

Nov. 26, 2015 (KR) 30-2015-0059662

(51) **LOC (11) Cl.** **16-01**

(57) **CLAIM**

The ornamental design for a surveillance camera, as shown and described.

(52) **U.S. Cl.**

USPC **D16/203**

DESCRIPTION

(58) **Field of Classification Search**

USPC D14/130, 144, 132; D16/200–220, 242, D16/238; D26/24, 36, 72, 79, 123; D10/104.1, 104.2, 106.1, 106.2, 106.5; D9/548, 560, 572, 574, 430, 431; D29/109–110

FIG. 1 is a front, right side, perspective view of a surveillance camera showing our new design;

FIG. 2 is a front view thereof;

FIG. 3 is a rear view thereof;

FIG. 4 is a left side view thereof;

FIG. 5 is a right side view thereof;

FIG. 6 is a top view thereof;

FIG. 7 is a bottom view; and,

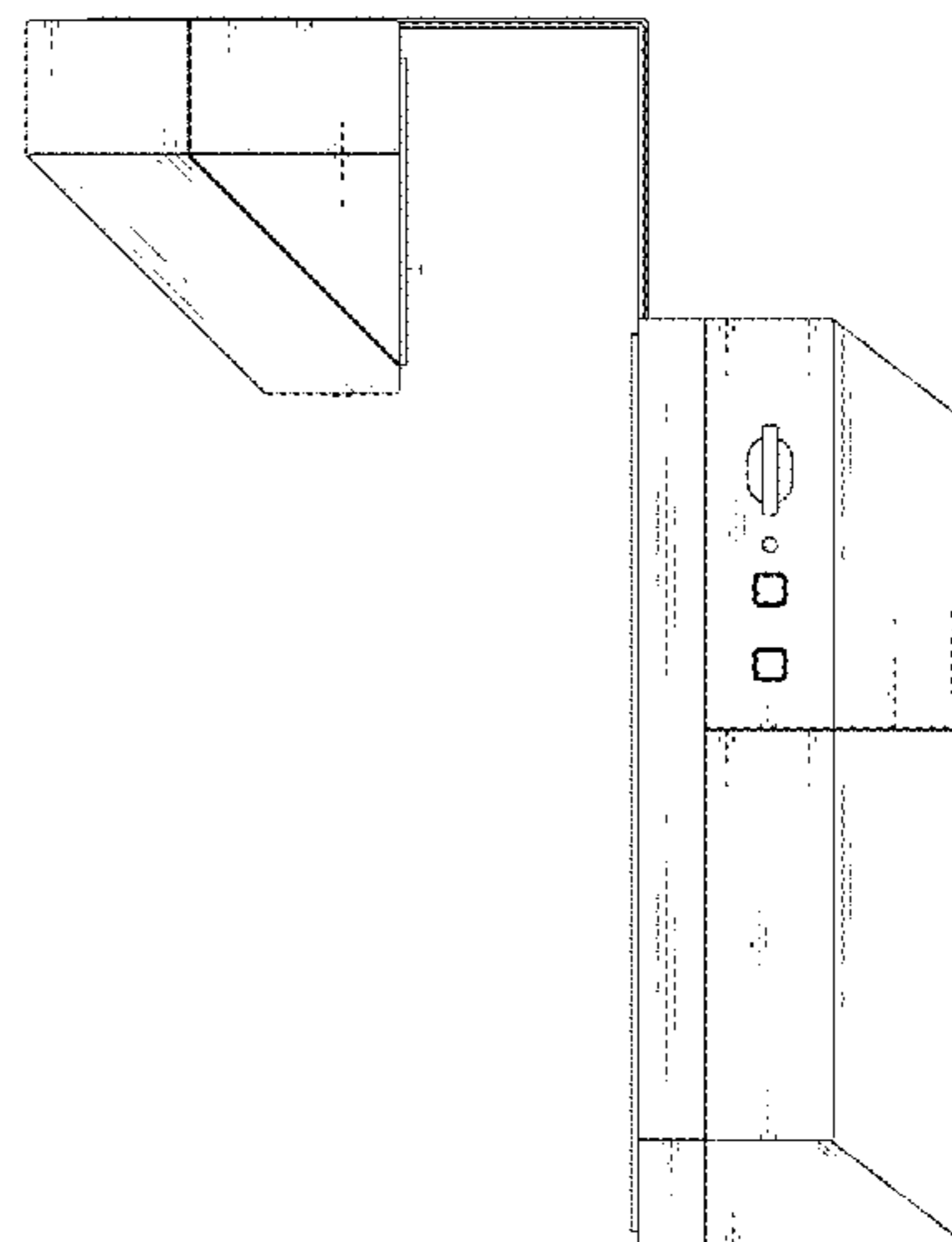
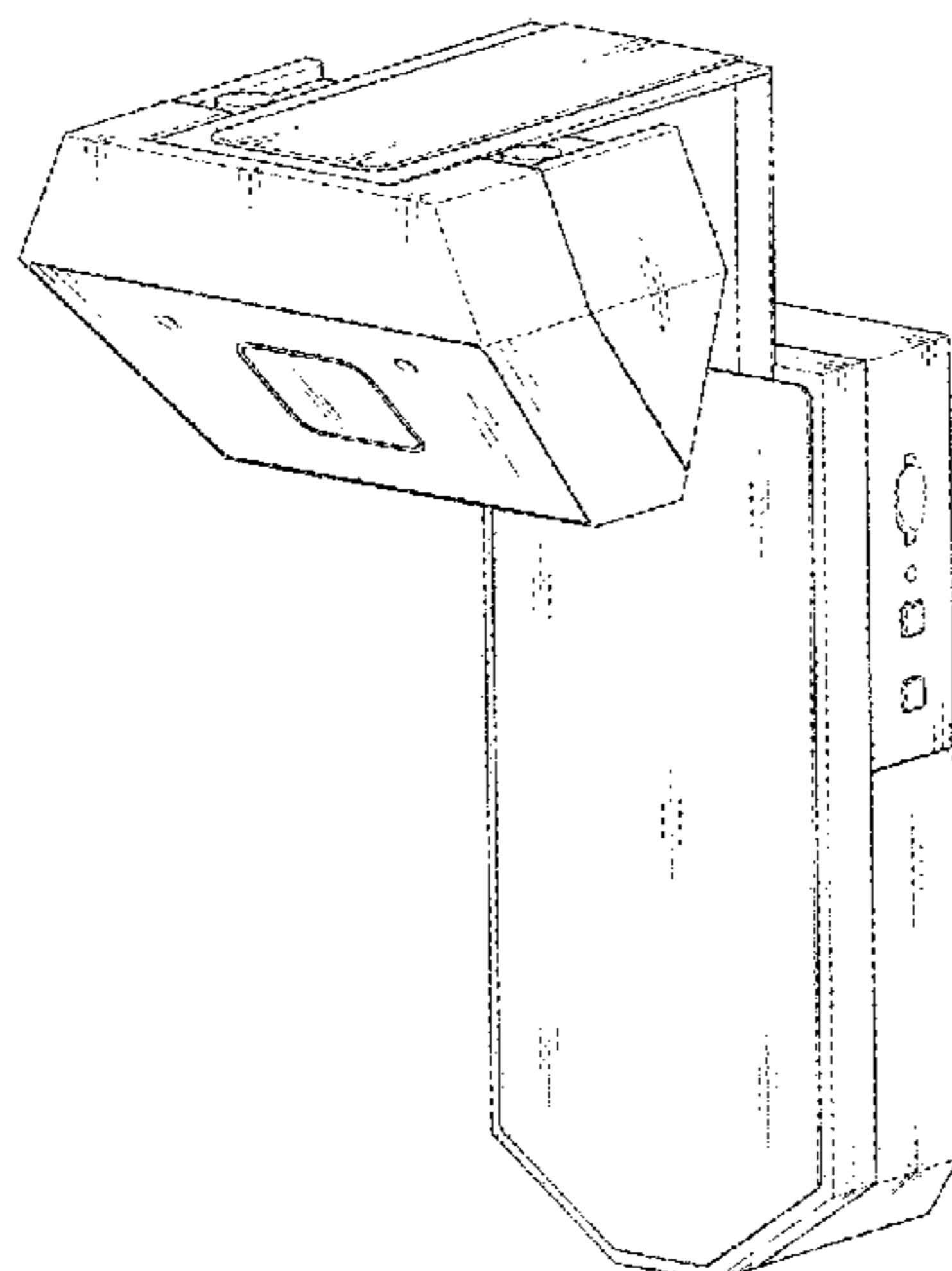
FIG. 8 is another front, right perspective view thereof, shown installed on a door.

The broken lines showing a door in FIG. 8 depict environmental structure and form no part of the claimed design. The remaining broken lines shown in the drawings depict portions of the surveillance camera that form no part of the claimed design.

CPC H04N 7/181; H04N 7/183; H04N 7/18; H04N 3/08; H04N 5/23248; H04N 5/23287; H04N 5/23258; H04N 5/2251; H04N 5/2252; H04N 2007/145; G01C 11/025; G03B 15/00; G03B 15/03; G03B 17/56; G03B 17/02; G03B 17/30; G03B 17/04; G03B 17/00; G03B 19/04; G03B 3/00; B60R 1/00; B60R 2300/105; G08B 13/19619; G08B 13/1963; G08B 13/19632; F16M 11/04; F16M 13/00; Y02E 60/12

See application file for complete search history.

1 Claim, 8 Drawing Sheets



(56)

References Cited

U.S. PATENT DOCUMENTS

D558,811	S *	1/2008	Higgins	D16/203
D628,611	S *	12/2010	Lewis	D16/203
D660,338	S *	5/2012	Chen	D16/202
D663,198	S *	7/2012	White	D9/430
D669,380	S *	10/2012	Kong	D10/104.1
D708,247	S *	7/2014	Ookawa	D16/203
D747,754	S *	1/2016	Smith	D16/203
D772,054	S *	11/2016	Wolf	D9/417
2005/0057649	A1 *	3/2005	Marks	H04N 7/186 348/143
2005/0276599	A1 *	12/2005	Kajino	H04N 5/2252 396/419
2014/0028841	A1 *	1/2014	Case	H04N 7/18 348/143

* cited by examiner

FIG. 1

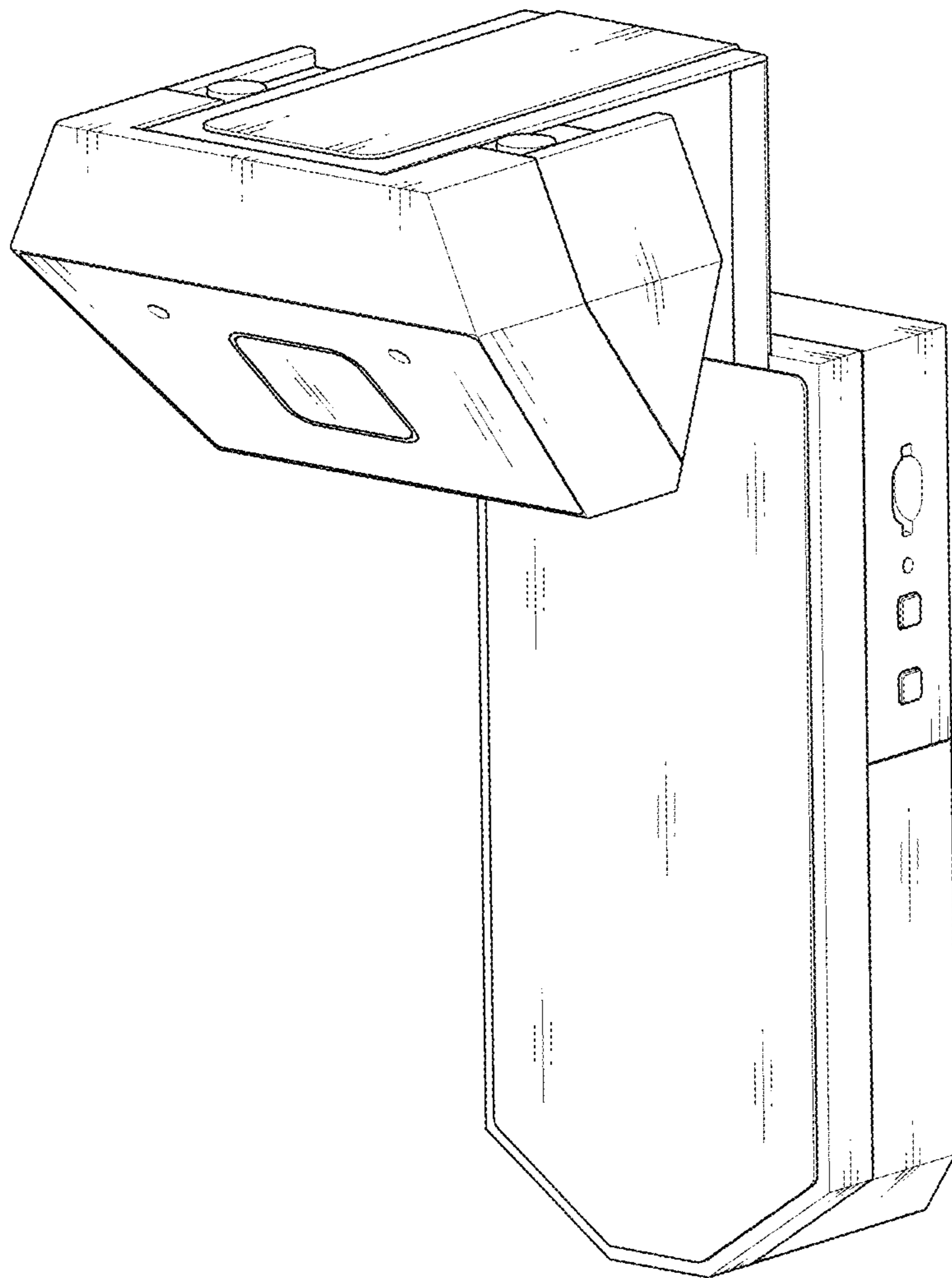


FIG. 2

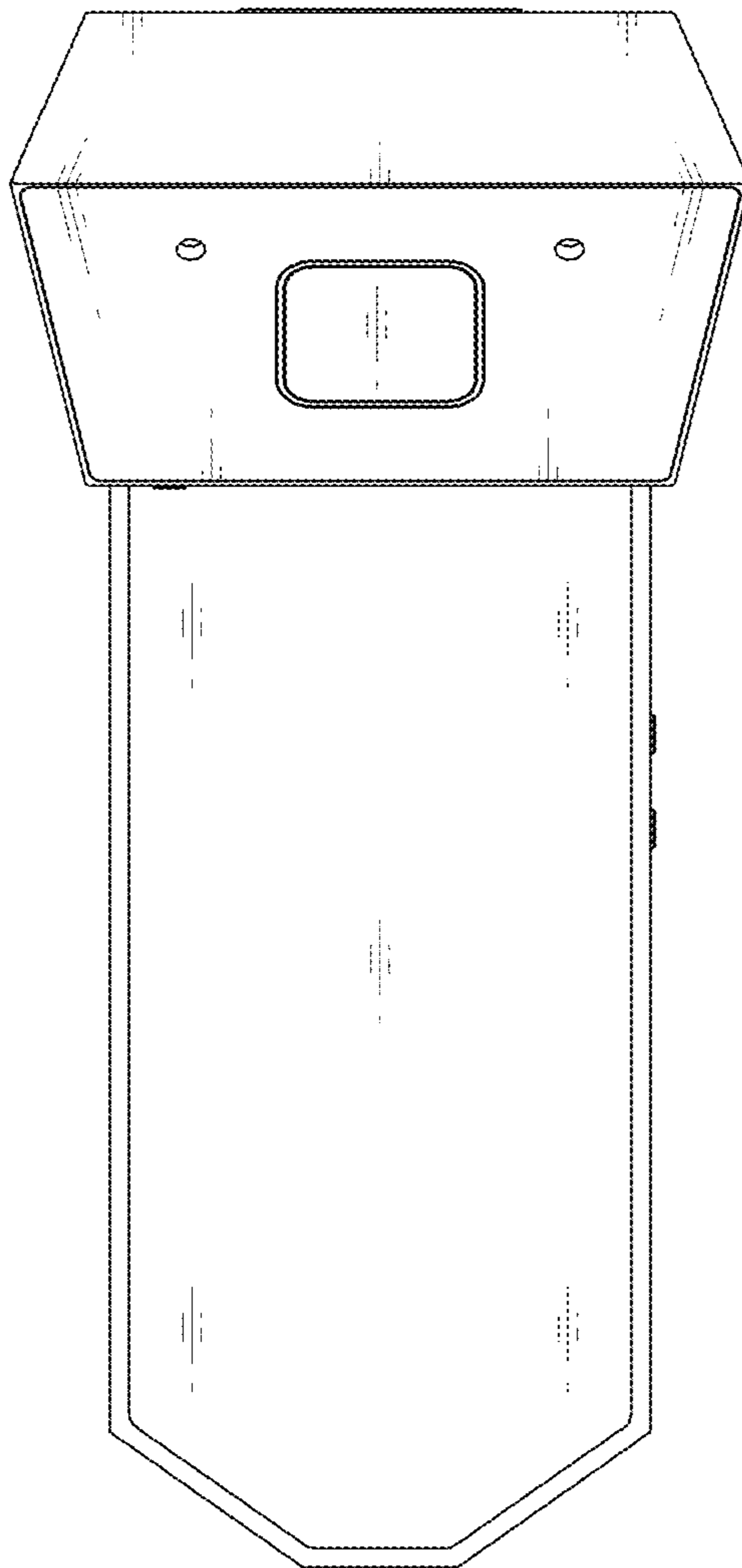


FIG. 3

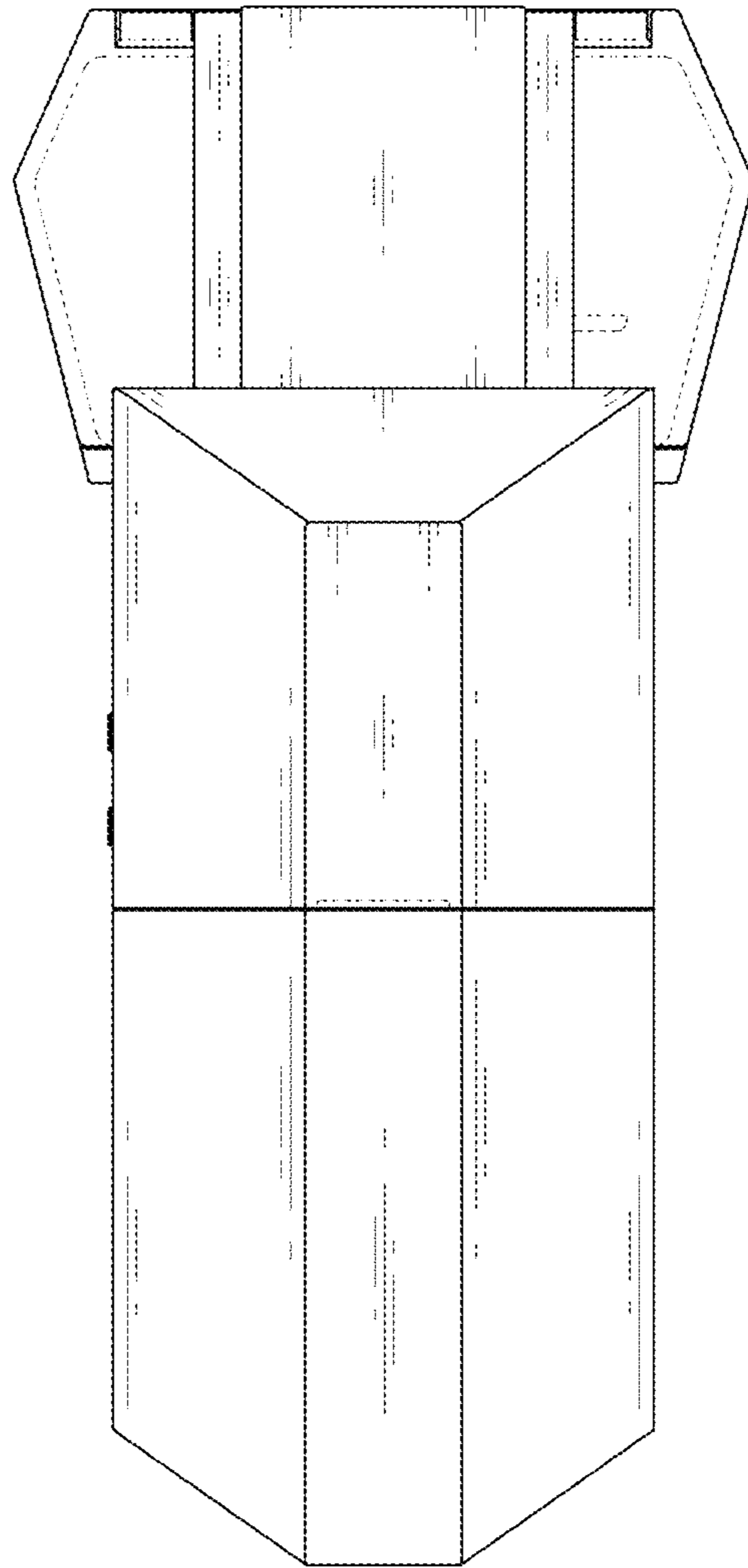


FIG. 4

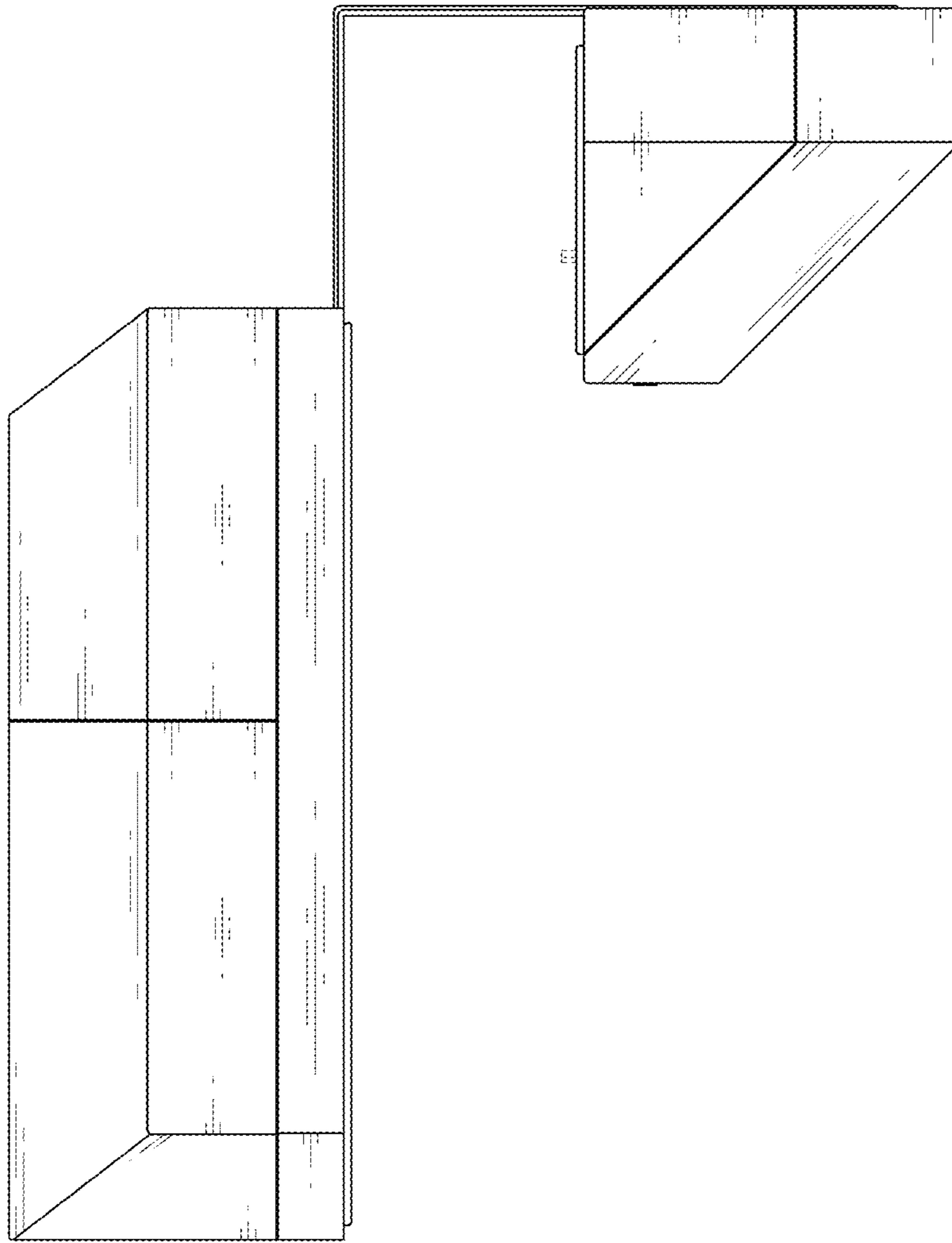


FIG. 5

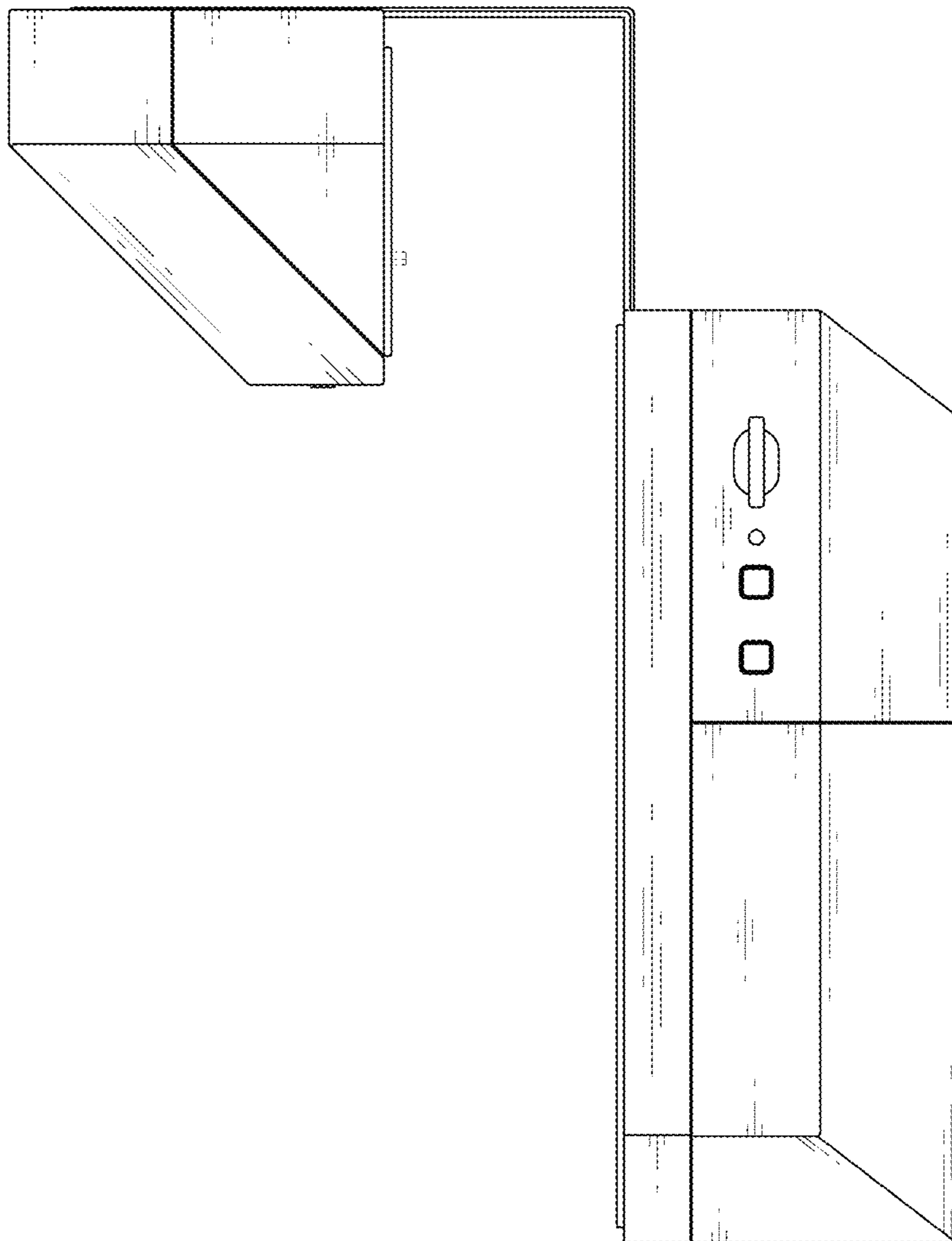


FIG. 6

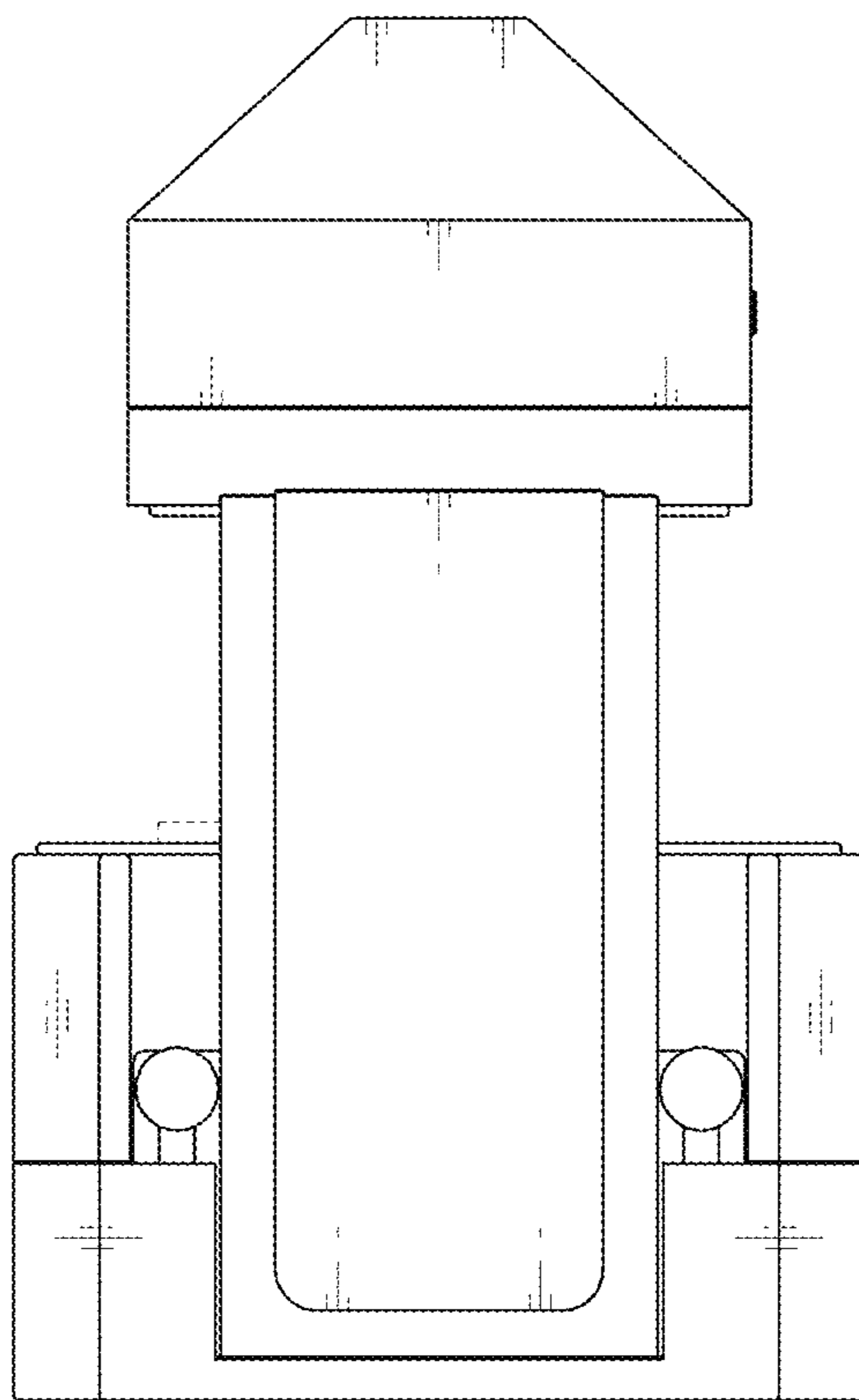


FIG. 7

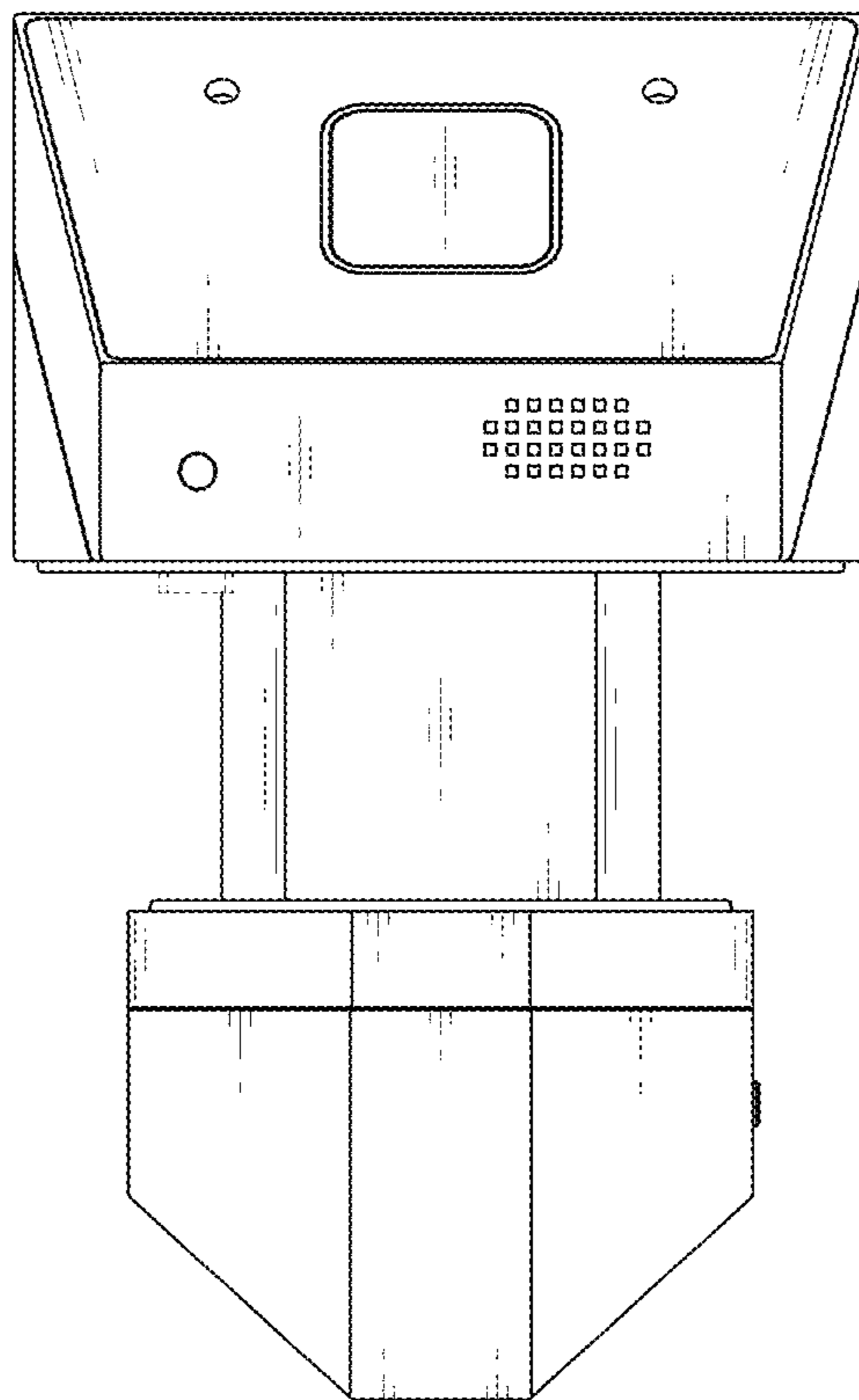


FIG. 8

