



US00D807941S

(12) **United States Design Patent**  
**Kamei**

(10) **Patent No.:** **US D807,941 S**

(45) **Date of Patent:** **\*\* Jan. 16, 2018**

(54) **ELECTRONIC CAMERA**

(71) Applicant: **FUJIFILM Corporation**, Tokyo (JP)

(72) Inventor: **Keita Kamei**, Saitama (JP)

(73) Assignee: **FUJIFILM Corporation**, Tokyo (JP)

(\*\*) Term: **15 Years**

(21) Appl. No.: **29/580,352**

(22) Filed: **Oct. 7, 2016**

(30) **Foreign Application Priority Data**

Apr. 8, 2016 (JP) ..... 2016-007899

(51) **LOC (11) Cl.** ..... **16-01**

(52) **U.S. Cl.**  
USPC ..... **D16/202**

(58) **Field of Classification Search**  
USPC ..... D16/200, 202-206, 208, 218, 219;  
348/373-376; 396/535, 539-541  
CPC ..... G03B 15/03; G03B 17/02; G03B 17/04;  
G03B 17/56; G03B 19/04; H04N 5/2251;  
H04N 5/2252; H04N 5/2253; H04N  
5/2254; H04N 2101/00  
See application file for complete search history.

(56) **References Cited**

**U.S. PATENT DOCUMENTS**

7,804,541 B2 *	9/2010	Ogino	.....	H04N 5/2251 348/373
D631,496 S *	1/2011	Tainaka	.....	D16/202
D647,552 S *	10/2011	Ogasawara	.....	D16/202
D657,408 S *	4/2012	Tainaka	.....	D16/202
D662,958 S *	7/2012	Fujita	.....	D16/202
D681,710 S *	5/2013	Sato	.....	D16/200
D698,839 S *	2/2014	Sato	.....	D16/200
D716,862 S *	11/2014	Hoshi	.....	D16/202
D727,990 S *	4/2015	Sakai	.....	D16/202
D729,297 S *	5/2015	Ikegame	.....	D16/202

D749,659 S *	2/2016	Kamei	.....	D16/202
2011/0109790 A1 *	5/2011	Shinohara	.....	G03B 17/14 348/373
2011/0298970 A1 *	12/2011	Shinohara	.....	G03B 17/14 348/373

**FOREIGN PATENT DOCUMENTS**

JP D1495652 S 4/2014

**OTHER PUBLICATIONS**

Notice of Reasons for Rejection, Office Action for Japanese Design Application No. 2016-007899, dated Jul. 26, 2016.

\* cited by examiner

*Primary Examiner* — Philip S Hyder

*Assistant Examiner* — Ramzi Almatrahi

(74) *Attorney, Agent, or Firm* — Birch, Stewart, Kolasch & Birch, LLP

(57) **CLAIM**

The ornamental design for an electronic camera, as shown and described.

**DESCRIPTION**

FIG. 1 is a perspective view of an electronic camera showing my new design;

FIG. 2 is a front view thereof;

FIG. 3 is a rear view thereof;

FIG. 4 is a top plan view thereof;

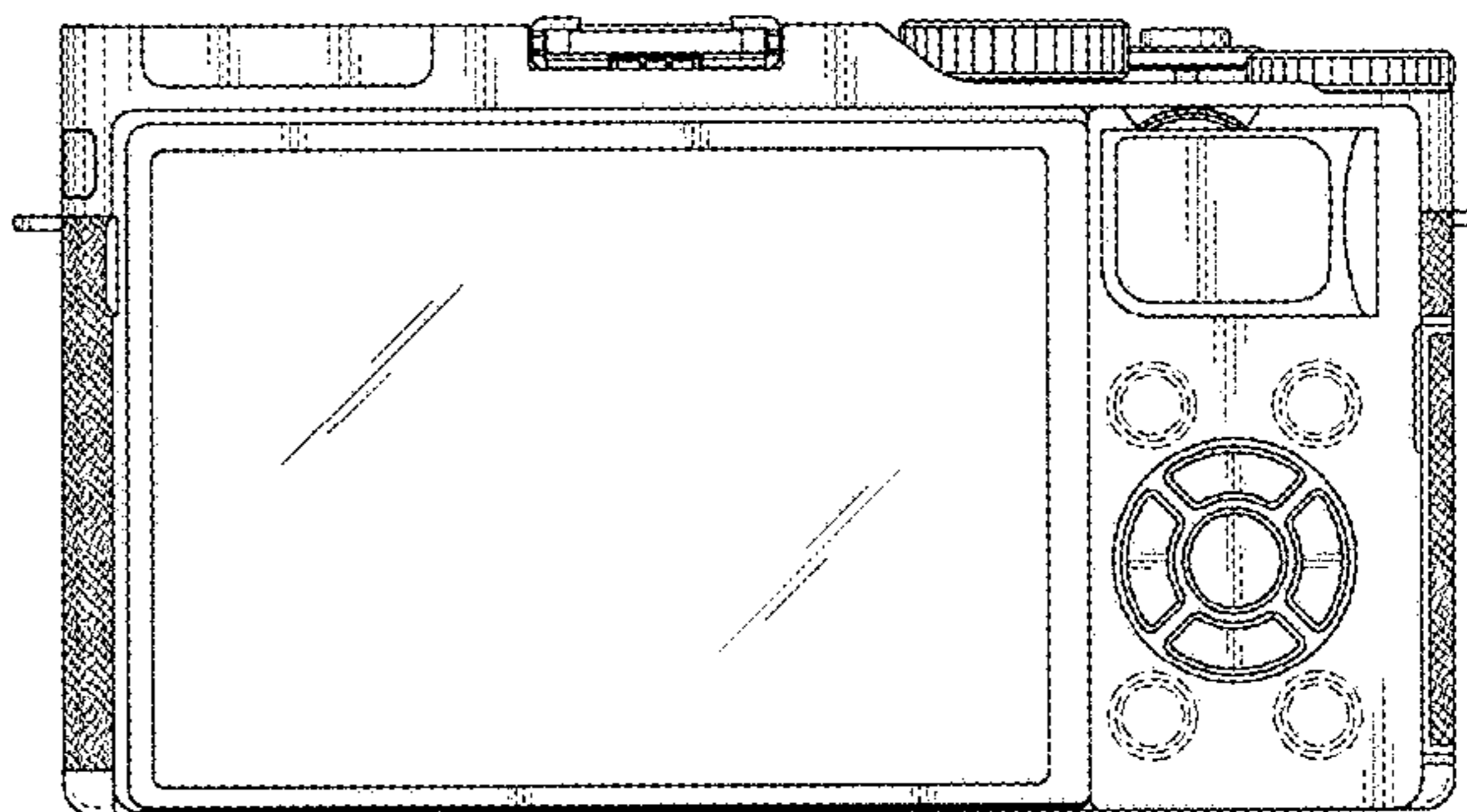
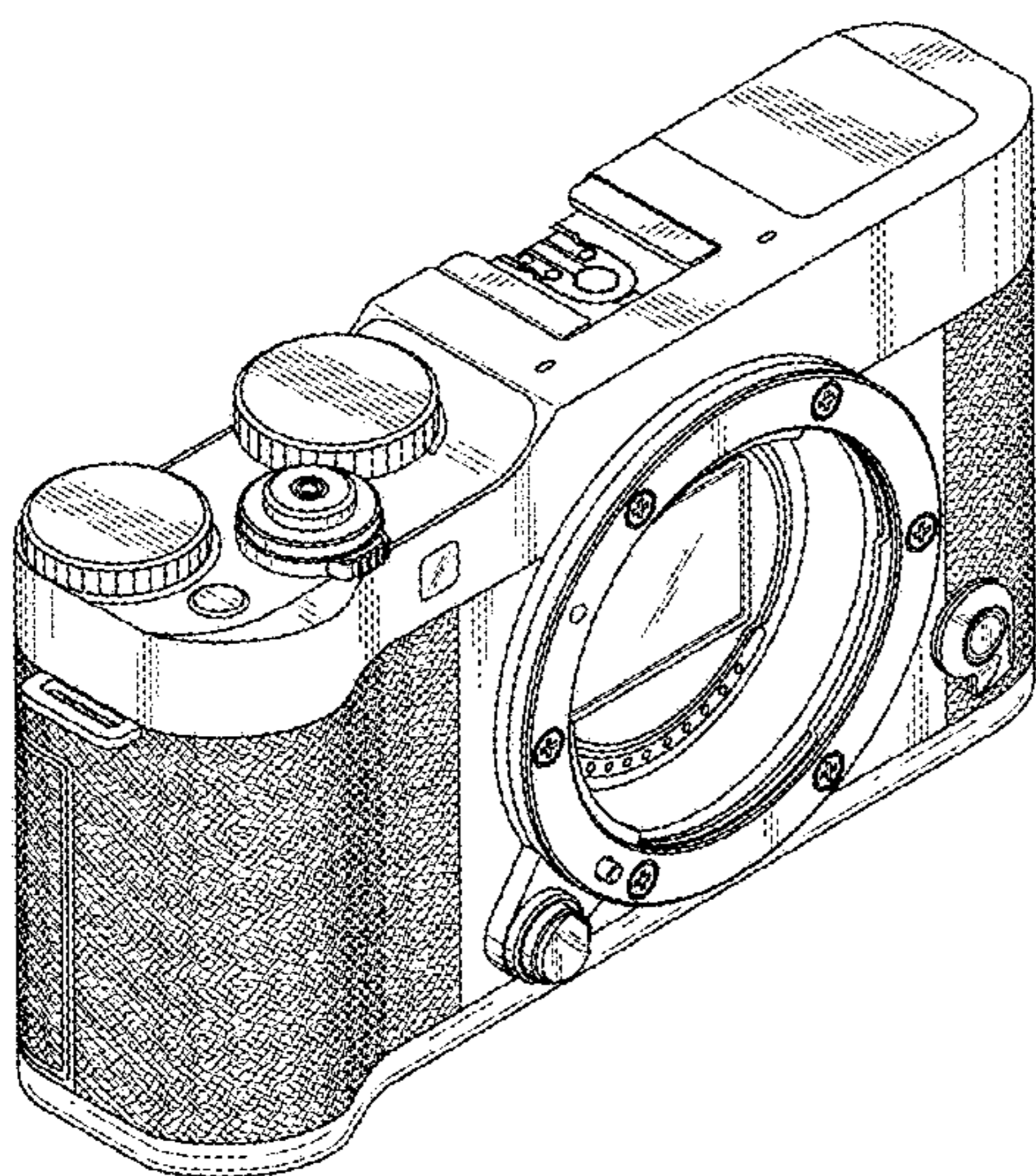
FIG. 5 is a bottom plan view thereof;

FIG. 6 is a right side view thereof; and,

FIG. 7 is a left side view thereof.

The broken lines depict portions of an electronic camera in which the design is embodied that form no part of the claimed design.

**1 Claim, 4 Drawing Sheets**



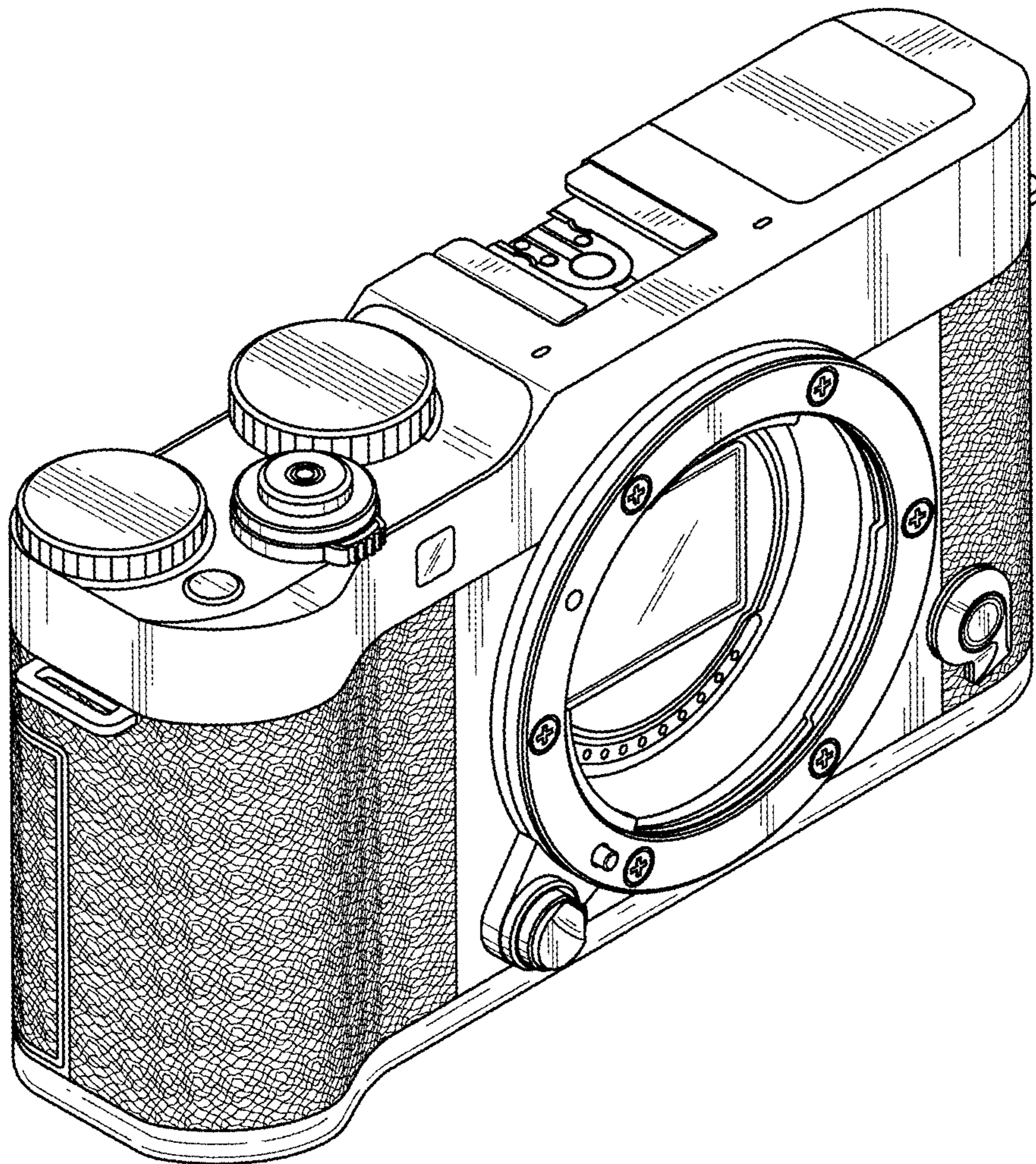


FIG.1

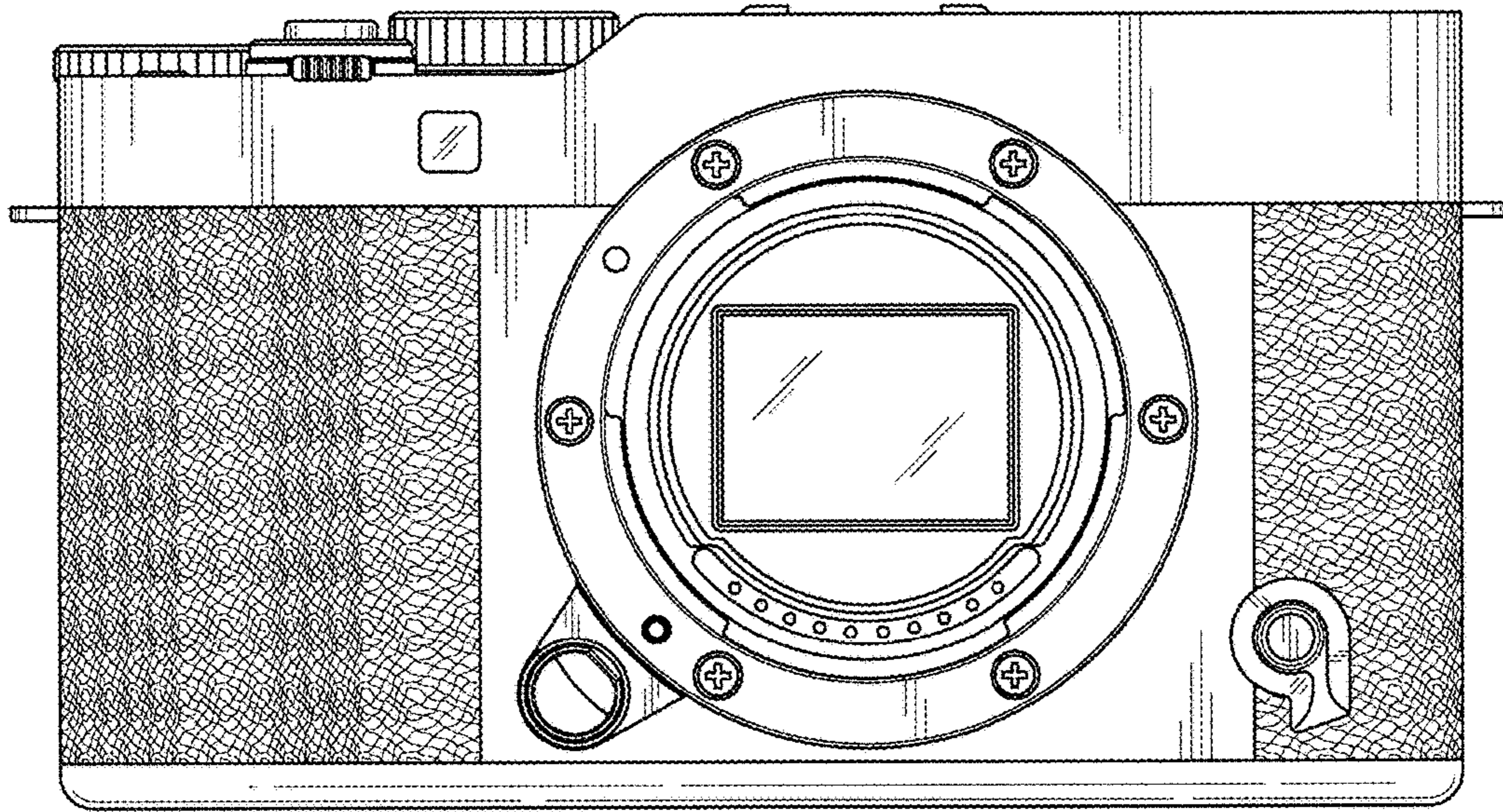


FIG. 2

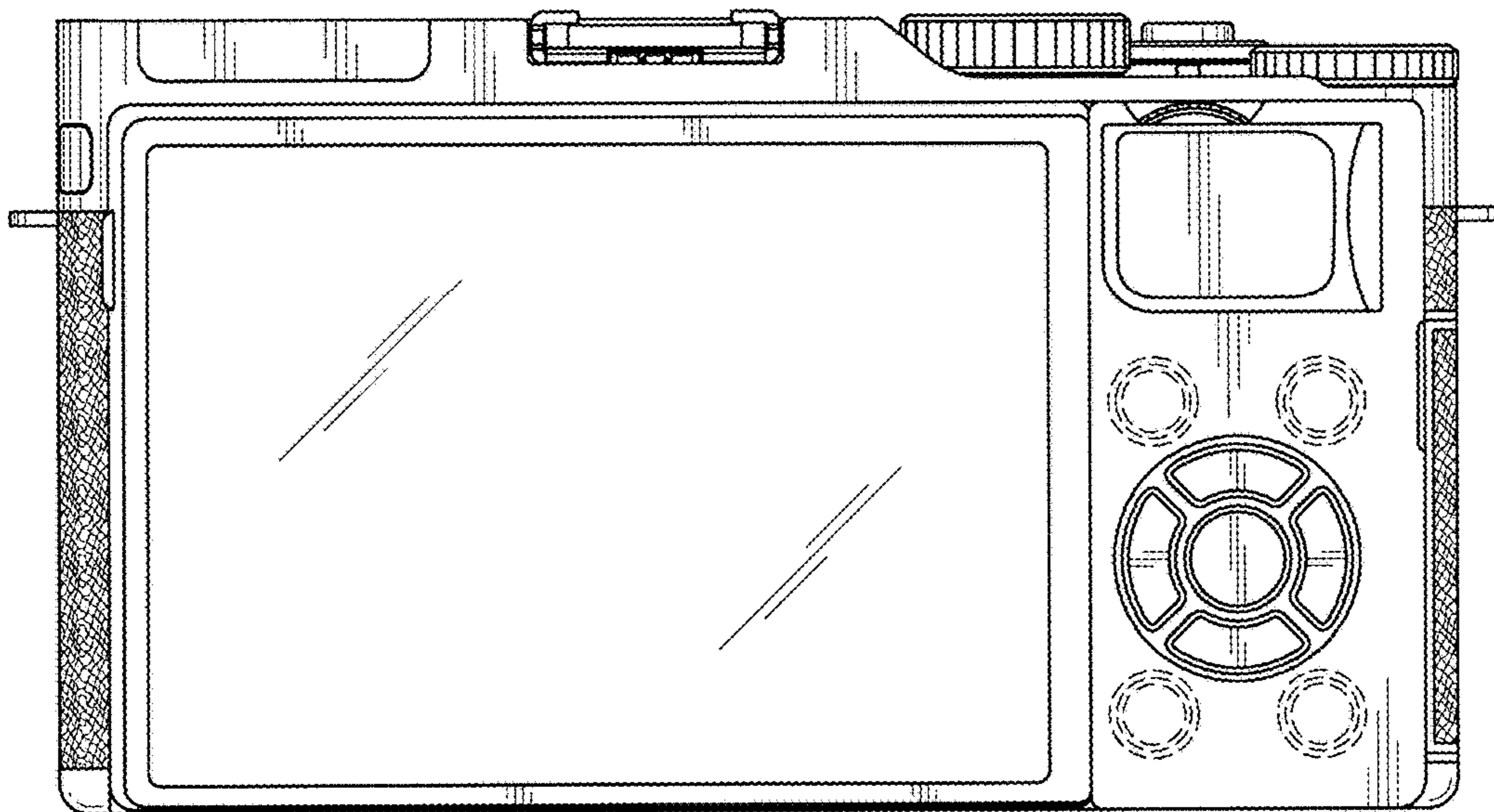


FIG. 3

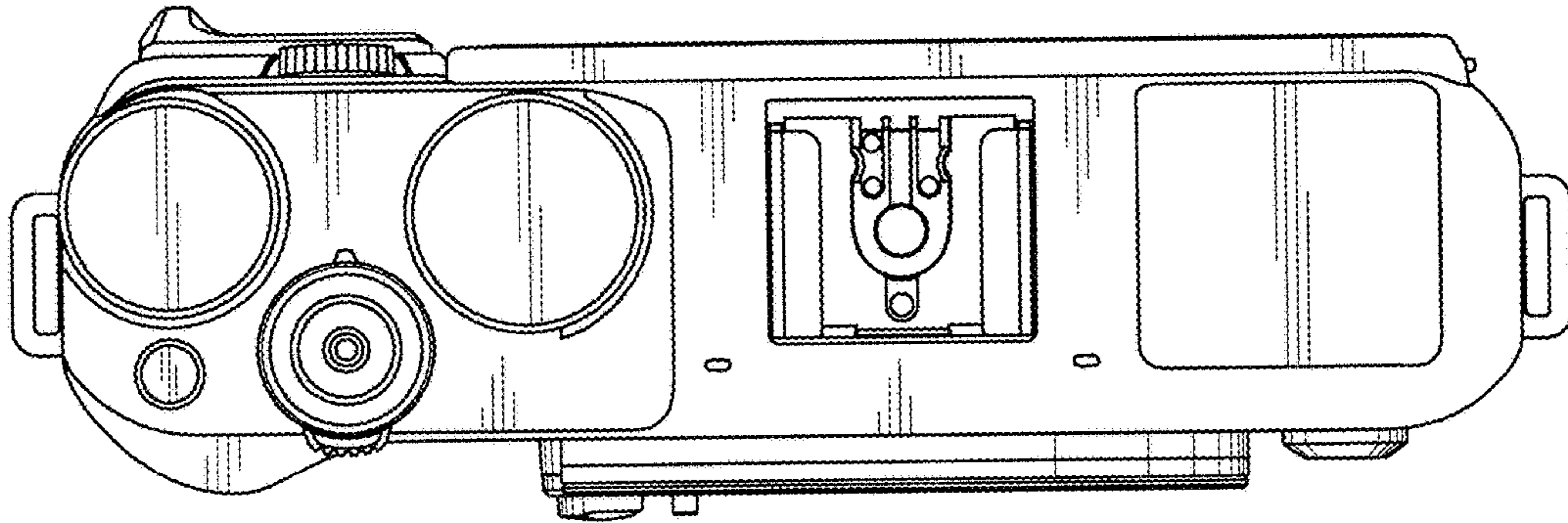


FIG.4

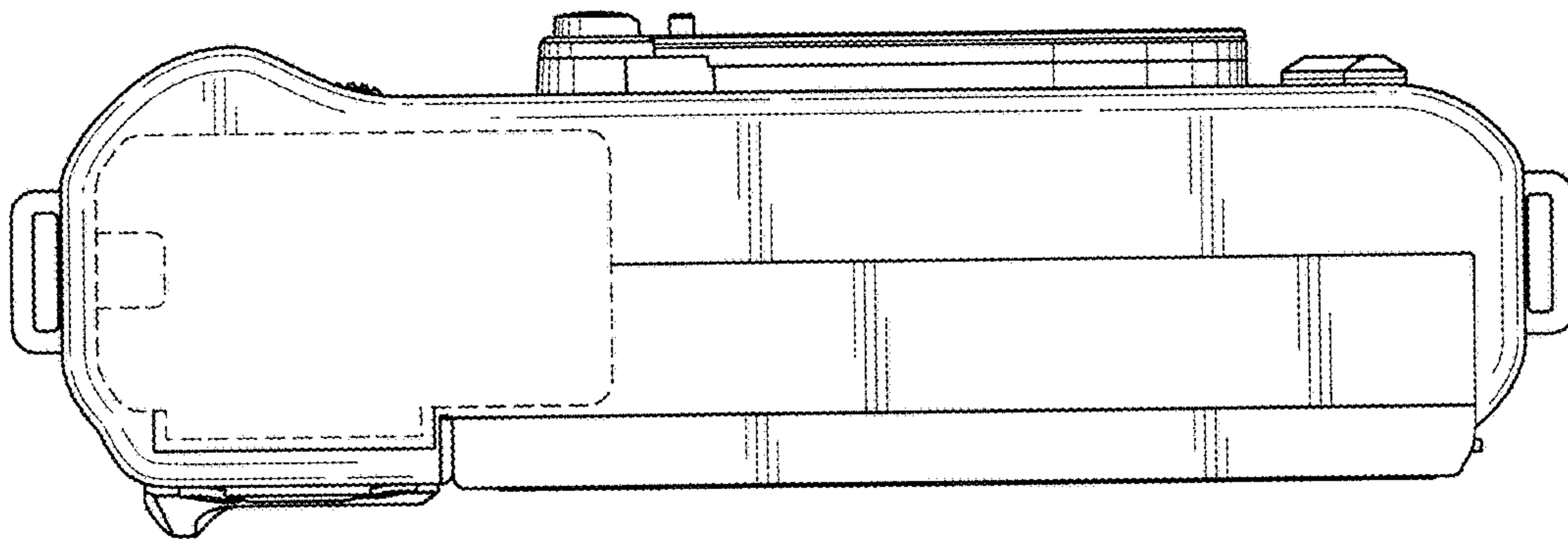


FIG.5

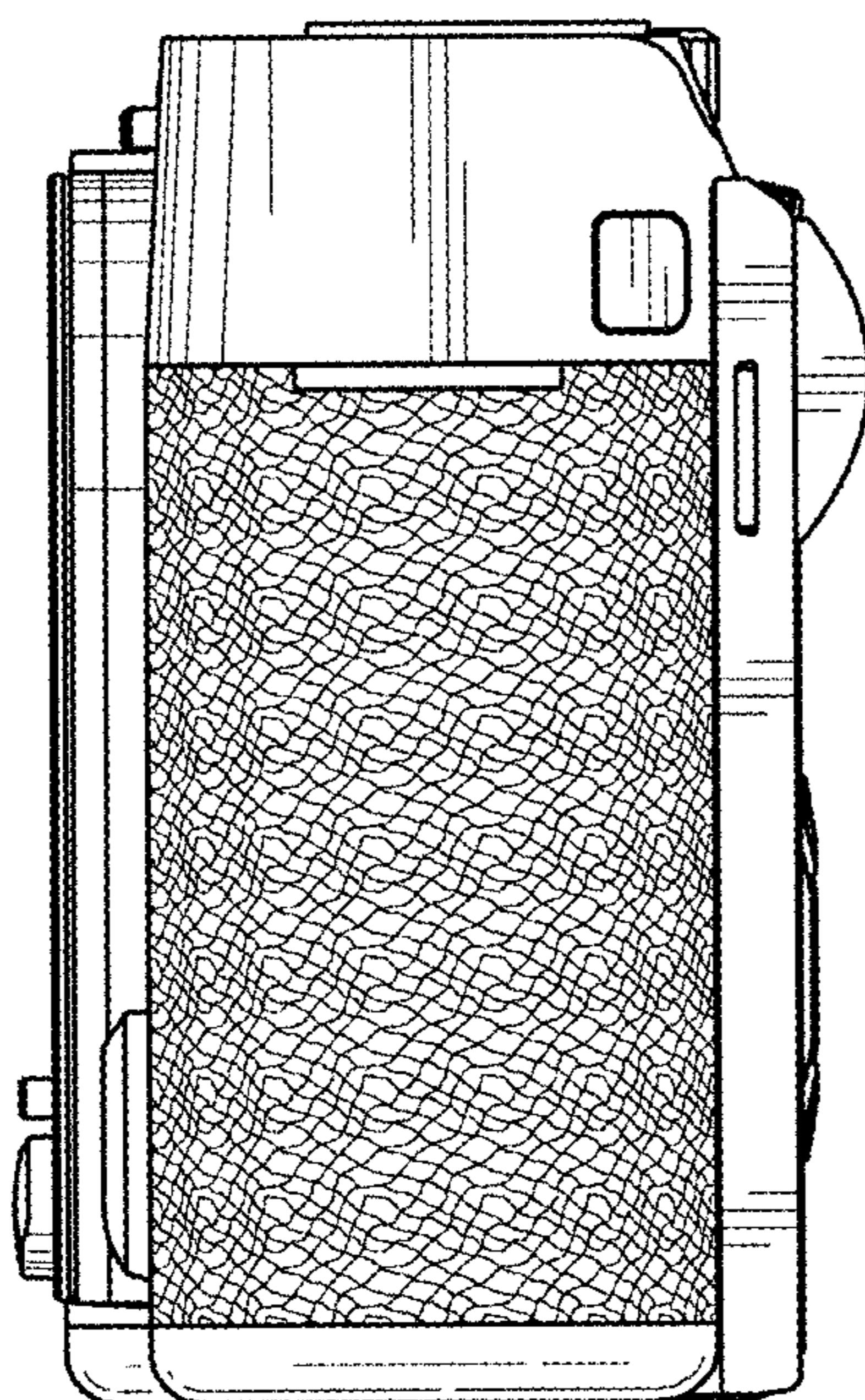


FIG. 6

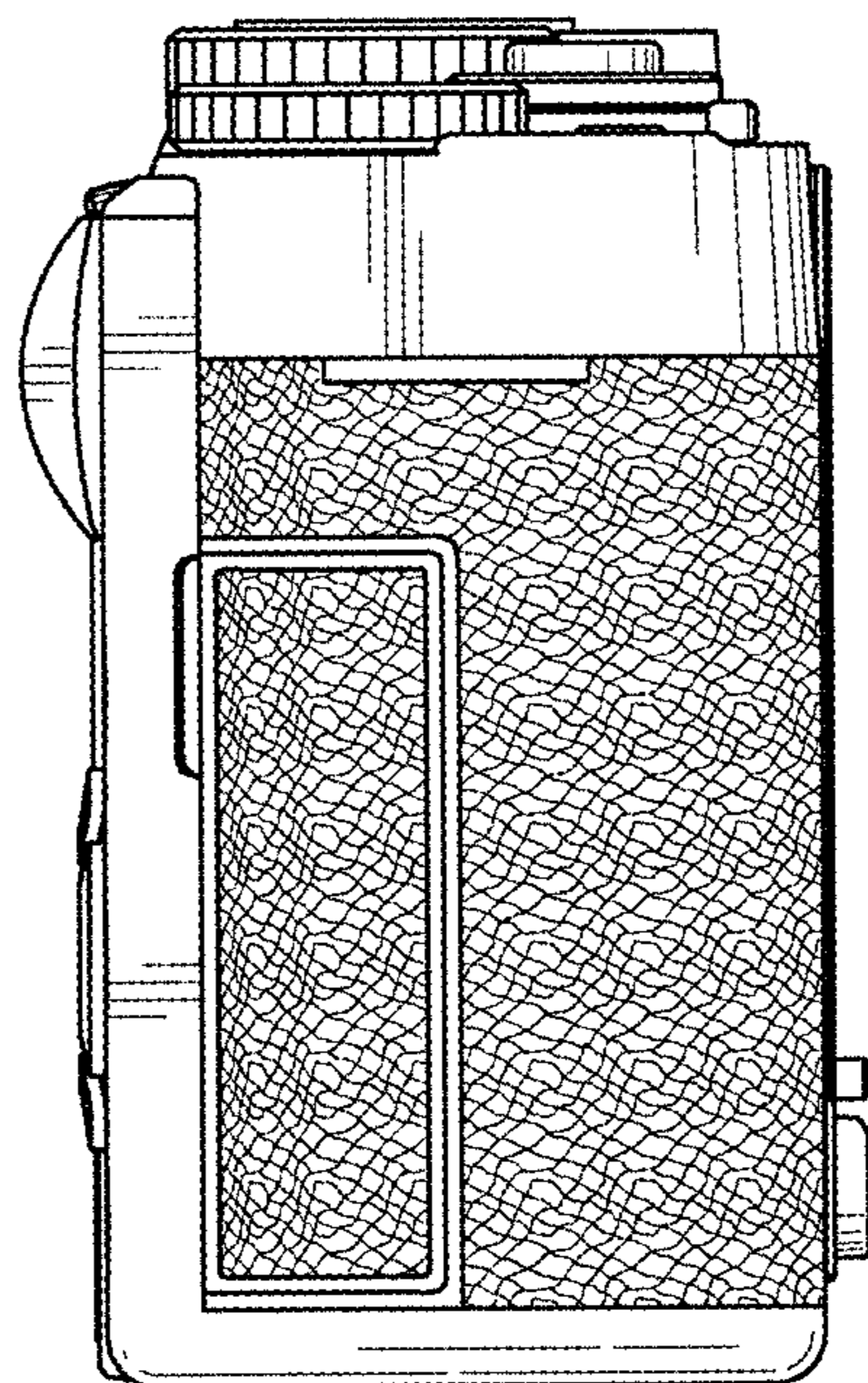


FIG. 7