



US00D807940S

(12) **United States Design Patent**
Tsukamoto

(10) **Patent No.:** **US D807,940 S**
(45) **Date of Patent:** **** Jan. 16, 2018**

(54) **DIGITAL CAMERA**
(71) Applicant: **Nikon Corporation**, Tokyo (JP)
(72) Inventor: **Chihiro Tsukamoto**, Tokyo (JP)
(73) Assignee: **Nikon Corporation**, Tokyo (JP)
(**) Term: **15 Years**

(21) Appl. No.: **29/556,929**
(22) Filed: **Mar. 4, 2016**

(30) **Foreign Application Priority Data**
Sep. 7, 2015 (JP) 2015-019852
(51) **LOC (11) Cl.** **16-01**
(52) **U.S. Cl.**
USPC **D16/202**
(58) **Field of Classification Search**
USPC D16/200, 202-206, 208, 217, 218, 219;
348/340, 373-376; 396/89, 176-178,
396/535, 539-541
CPC G03B 15/03; G03B 17/02; G03B 17/04;
G03B 17/56; G03B 19/04; H04N 5/2251;
H04N 5/2252; H04N 5/2253; H04N
5/2254; H04N 2101/00
See application file for complete search history.

(56) **References Cited**
U.S. PATENT DOCUMENTS
6,351,609 B1 * 2/2002 Hosokawa G03B 15/03
396/177
D524,346 S * 7/2006 Haga D16/202
D557,308 S * 12/2007 Matsuda D16/202
D559,291 S * 1/2008 Hayashi D16/202
D594,892 S * 6/2009 Kamiya D16/202
D607,481 S * 1/2010 Takahashi D16/217
D609,730 S * 2/2010 Nakamura D16/202

7,701,505 B2 * 4/2010 Kikuchi H04N 5/2252
348/373
D672,802 S * 12/2012 Nojima D16/219
D690,755 S 10/2013 Nikaido
D698,840 S * 2/2014 Nakamura D16/202
(Continued)

FOREIGN PATENT DOCUMENTS

JP 1450408 S 9/2012

OTHER PUBLICATIONS

Web page of Nikon Corporation, News release dated Jul. 30, 2009 which introduces the launch of "Nikon D300S", a Nikon digital single-lens reflex camera, printed from the Internet on Feb. 19, 2016, pp. 1-4. http://www.nikon.co.jp/news/2009/0730_d300s_02.htm.

(Continued)

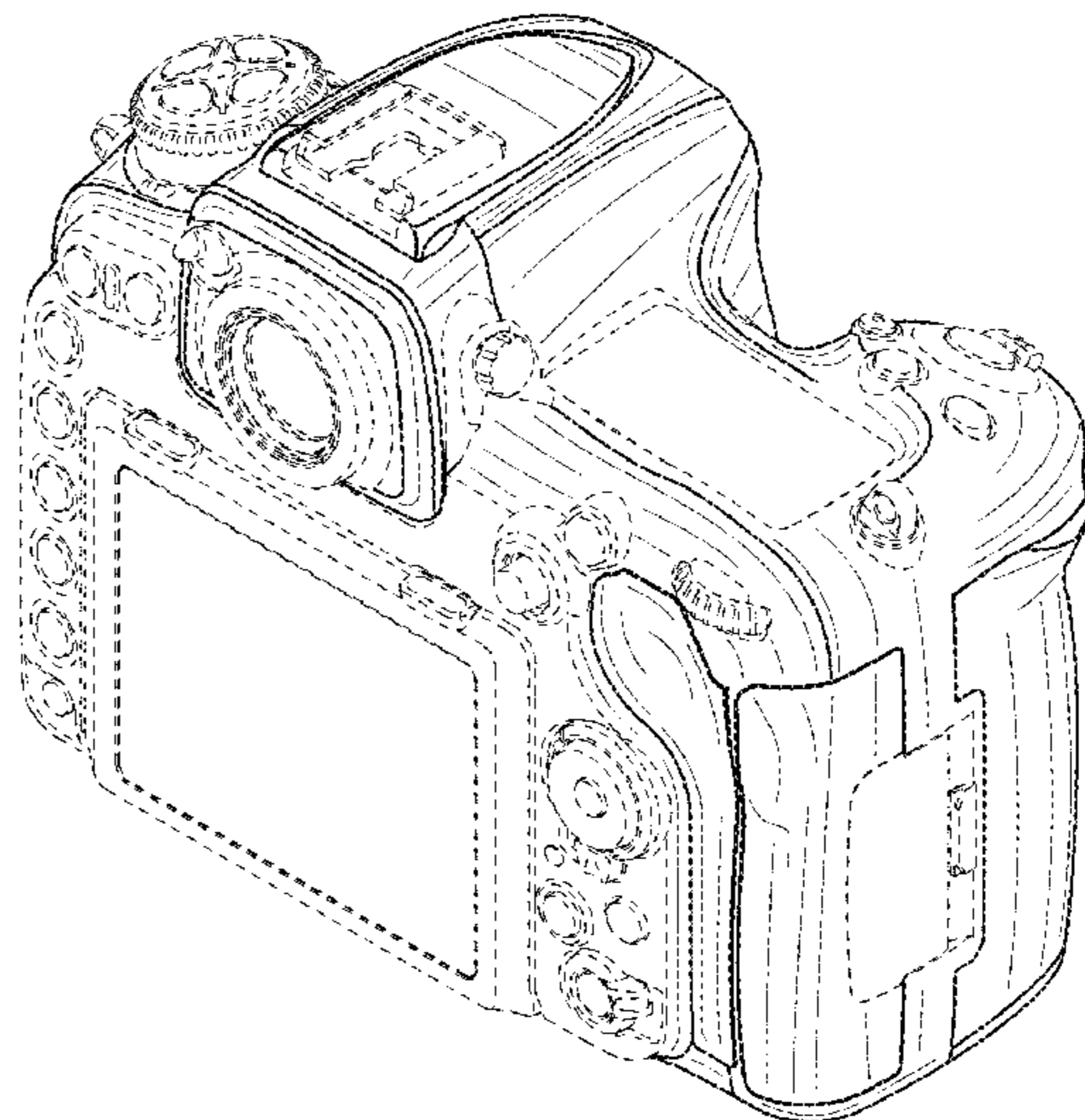
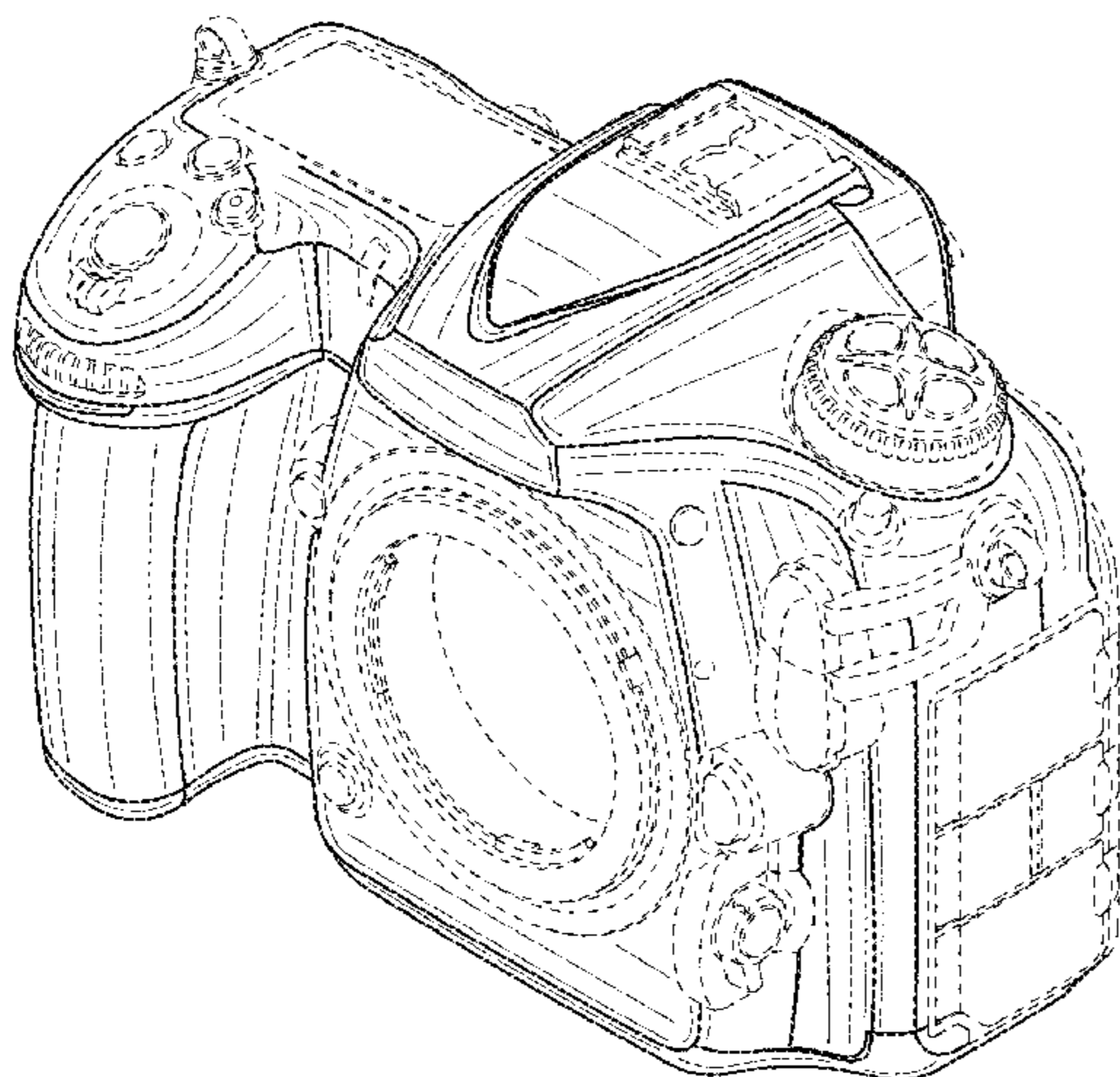
Primary Examiner — Philip S Hyder
Assistant Examiner — Ramzi Almatrahi
(74) *Attorney, Agent, or Firm* — Wolf, Greenfield & Sacks, P.C.

(57) **CLAIM**
The ornamental design for a digital camera, as shown and described.

DESCRIPTION

FIG. 1 is a front, top, and right side perspective view of a digital camera showing my new design; FIG. 2 is a rear, top, and left side perspective view thereof; FIG. 3 is a front view thereof; FIG. 4 is a rear view thereof; FIG. 5 is a top plan view thereof; FIG. 6 is a bottom plan view thereof; FIG. 7 is a right side view thereof; and, FIG. 8 is a left side view thereof. The broken lines depict portions of the digital camera in which the design is embodied that form no part of the claimed design.

1 Claim, 8 Drawing Sheets



(56)

References Cited

U.S. PATENT DOCUMENTS

D724,131 S * 3/2015 Kim D16/202
D736,846 S * 8/2015 Jang D16/202
D749,658 S * 2/2016 Watanabe D16/202

OTHER PUBLICATIONS

Web page of Nikon Corporation, Press release dated Feb. 21, 2013 which introduces the launch of “D7100” and “WR-1”, a Nikon digital single-lens reflex camera, printed from the Internet on Feb. 18, 2016, pp. 1-6. http://www.nikon.co.jp/news/2013/0221_d7100_01.htm.

* cited by examiner

FIG. 1

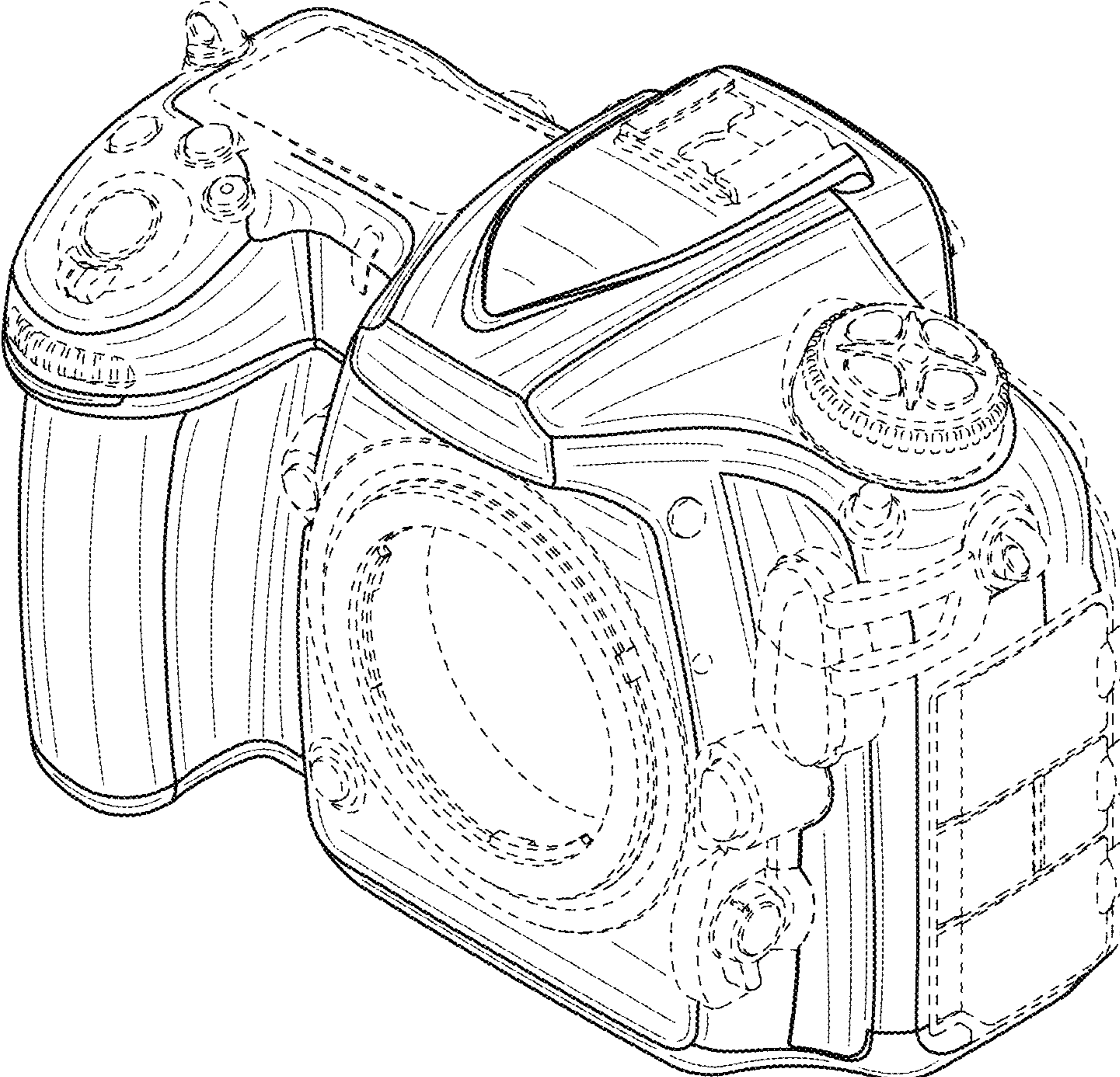


FIG. 2

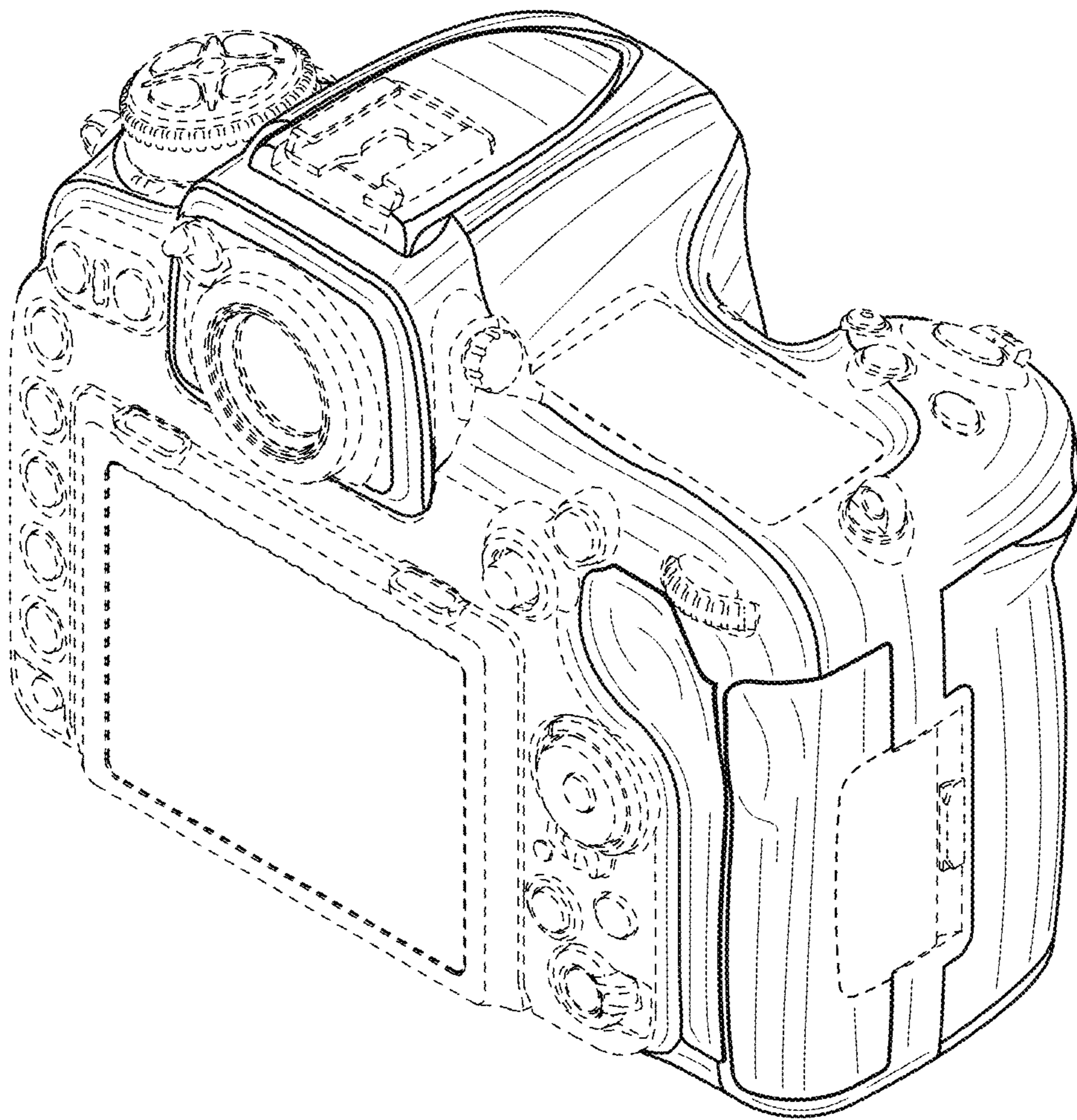


FIG. 3

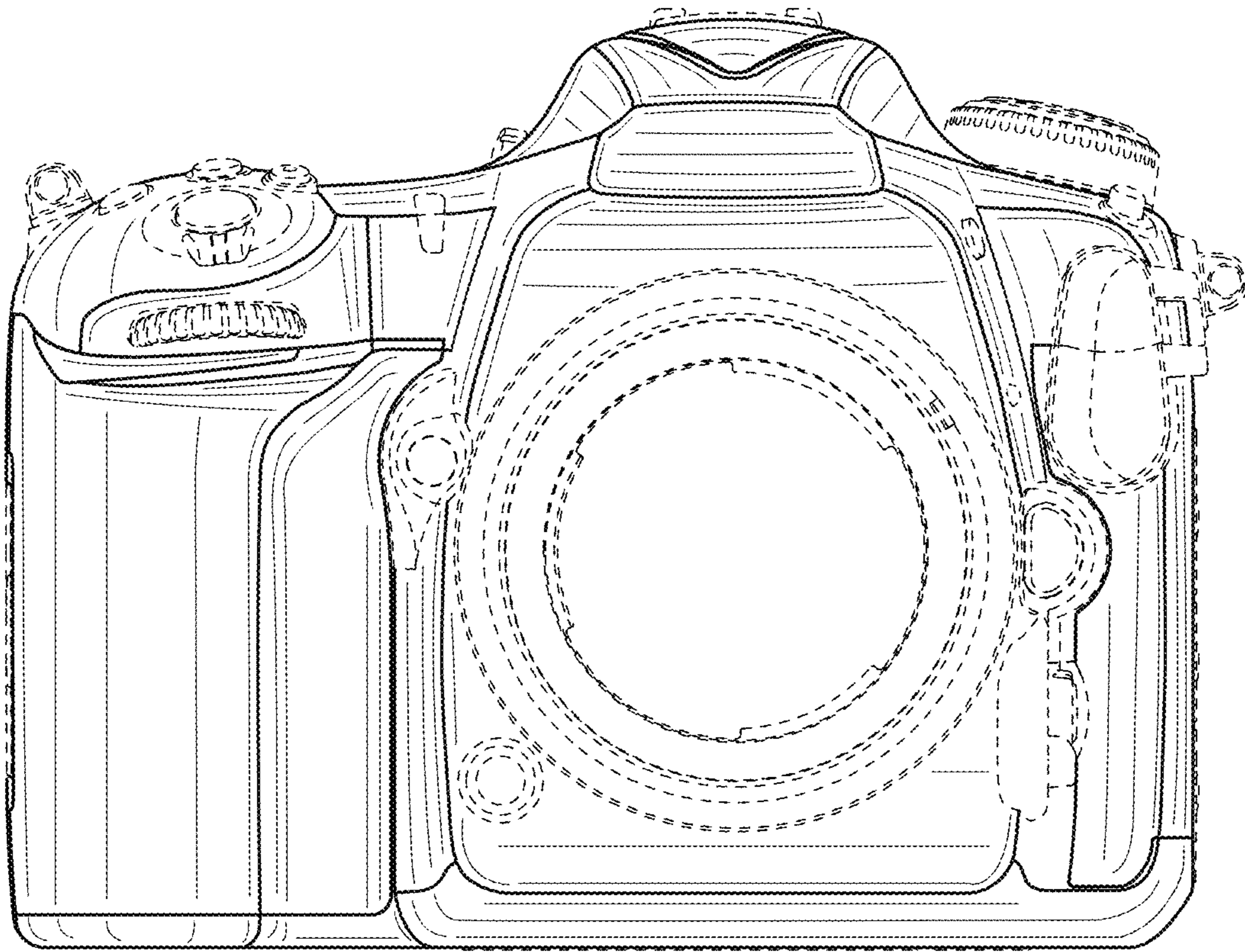


FIG. 4

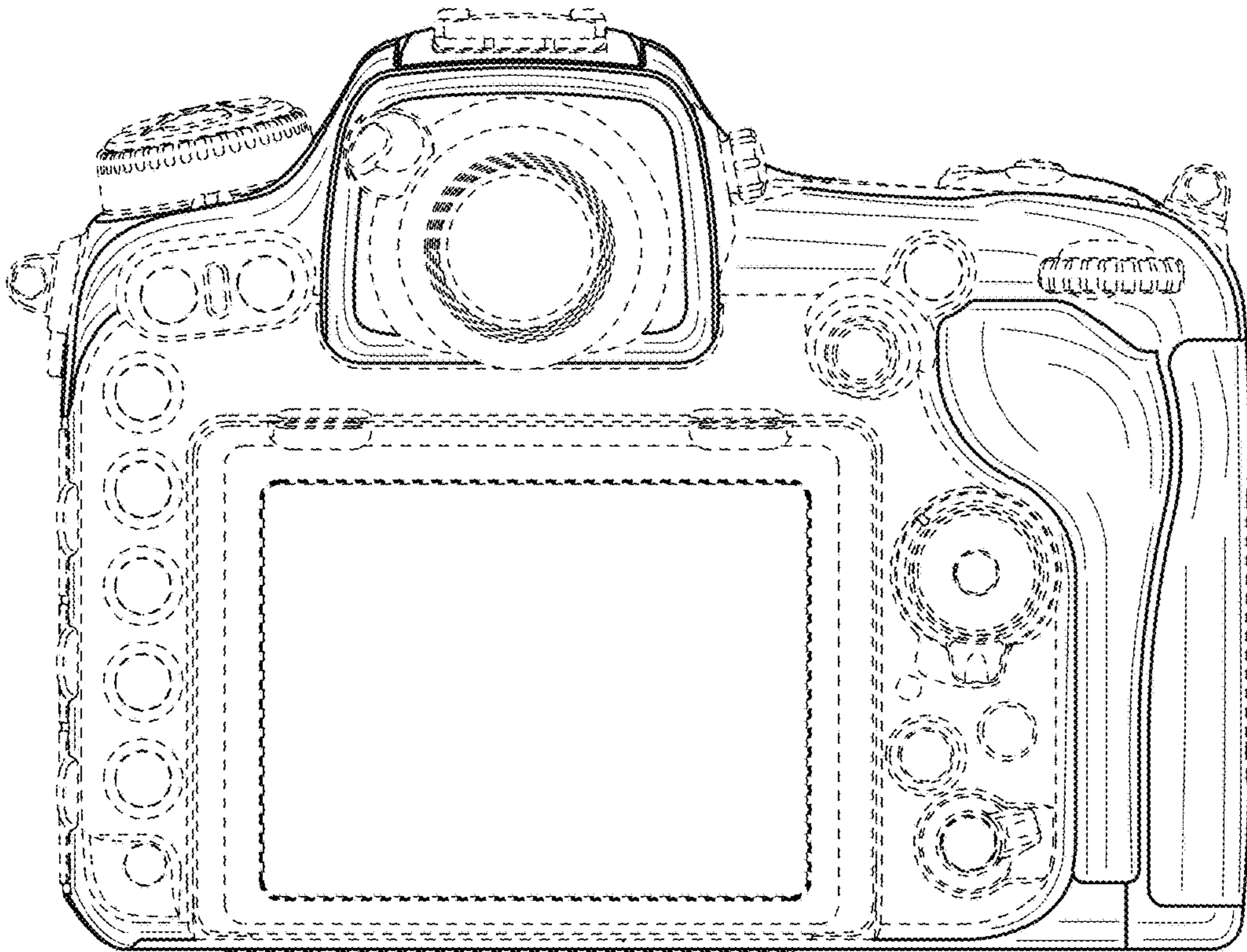


FIG. 5

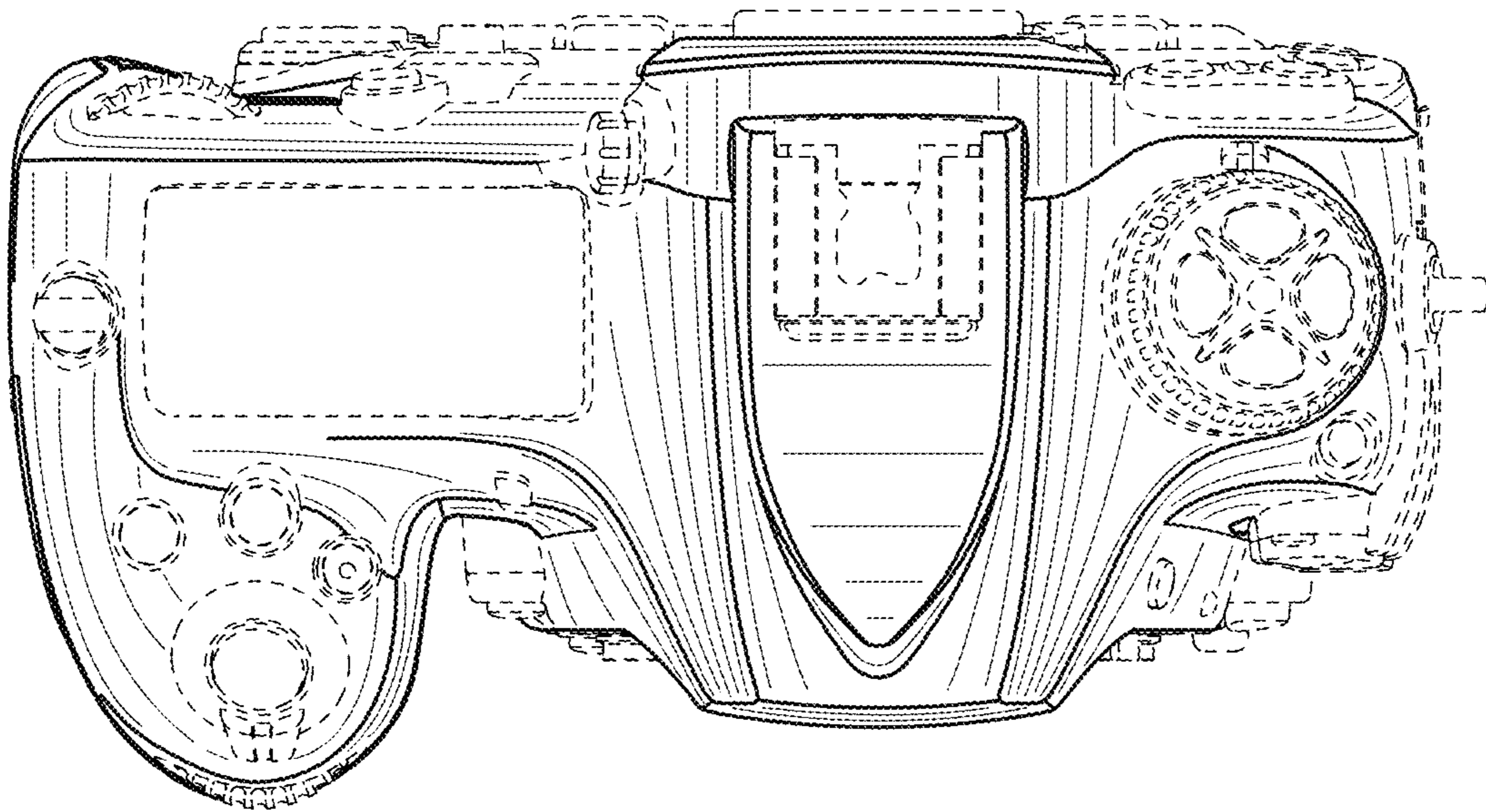


FIG. 6

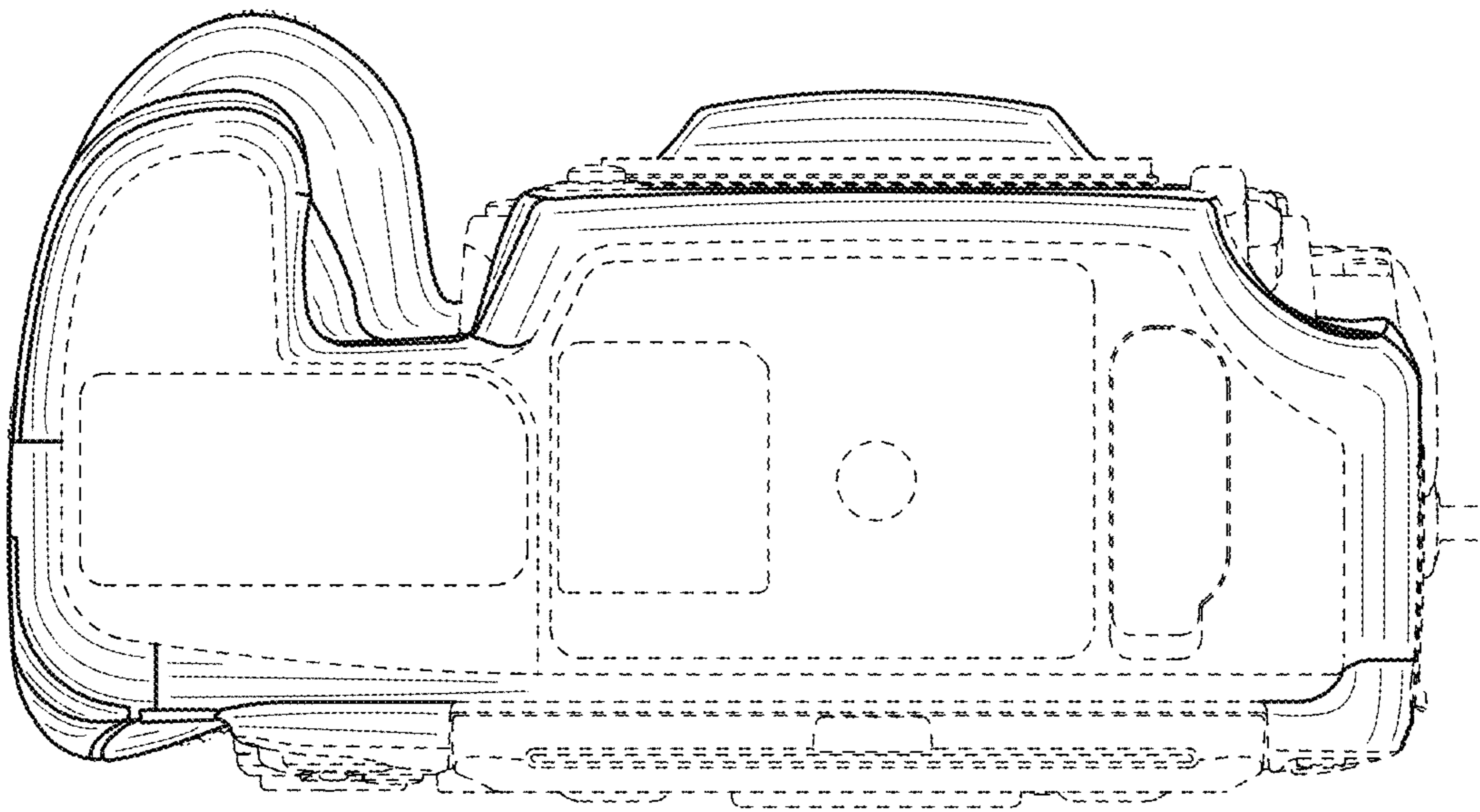


FIG. 7

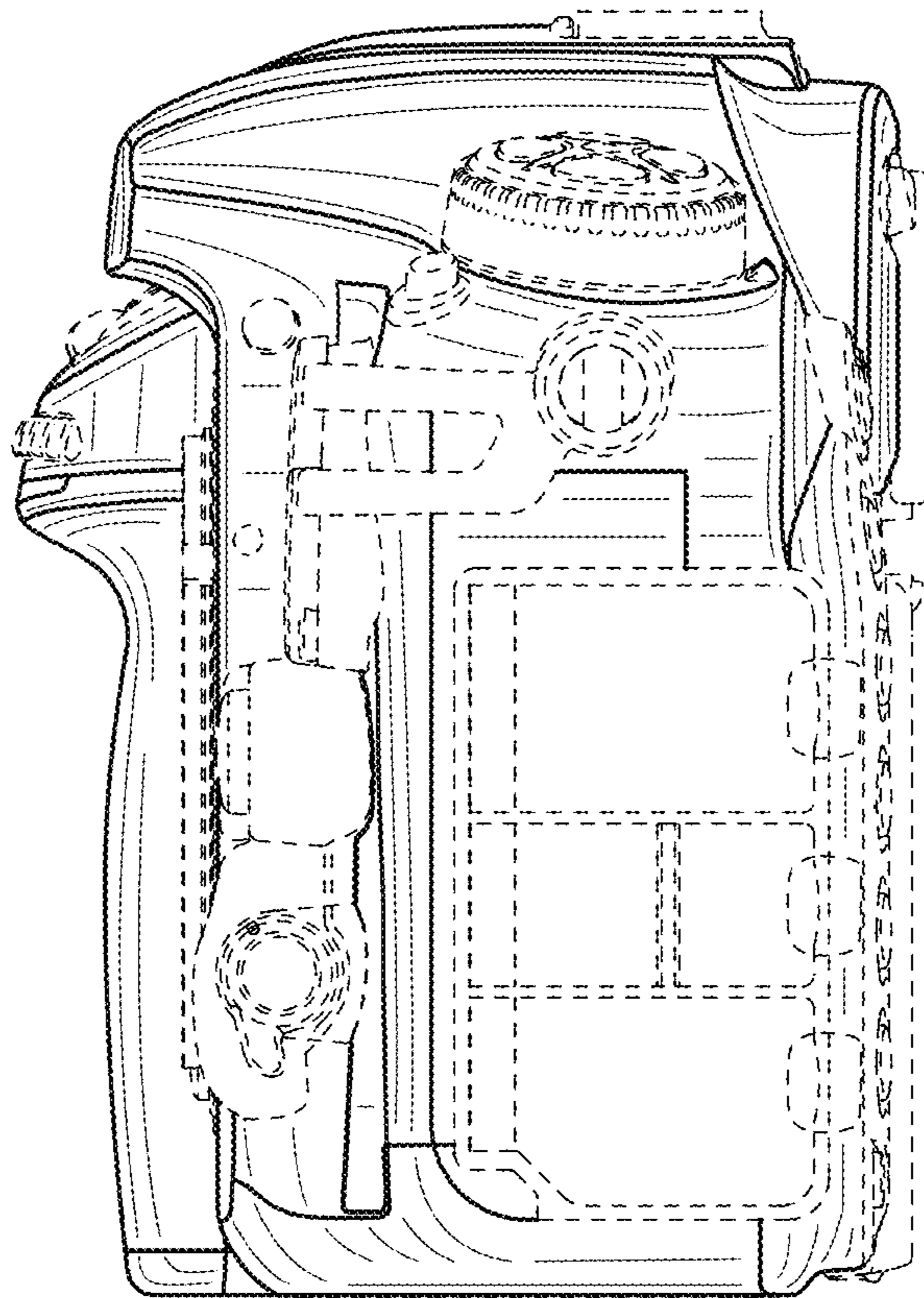


FIG. 8

