

US00D807939S

(12) **United States Design Patent**
Lundin et al.

(10) **Patent No.:** **US D807,939 S**
(45) **Date of Patent:** **** Jan. 16, 2018**

(54) **ACCESSORY FOR A CAMERA LENS**

(71) Applicant: **Evoko Unlimited AB**, Nacka (SE)

(72) Inventors: **Claes Lundin**, Malmo (SE); **Kasimir Hellstrom**, Lund (SE); **Casper Asmussen**, Malmo (SE)

(73) Assignee: **EVOKO UNLIMITED AB**, Nacka (SE)

(**) Term: **15 Years**

(21) Appl. No.: **29/565,949**

(22) Filed: **May 25, 2016**

(30) **Foreign Application Priority Data**

May 23, 2016 (EM) 003147792

(51) **LOC (11) Cl.** **16-01**

(52) **U.S. Cl.**
USPC **D16/200**

(58) **Field of Classification Search**
USPC D14/124, 125, 126, 129, 133, 314, 317,
D14/336, 348-351, 356, 420; D16/200,
D16/201, 202, 203, 205-221, 225, 232,
D16/235

CPC G03B 15/03; G03B 17/04; G03B 17/56;
G03B 19/04; H04N 5/2251-5/2254

See application file for complete search history.

(56) **References Cited**

U.S. PATENT DOCUMENTS

D195,999 S * 8/1963 Bach D16/130
D275,766 S * 10/1984 Suzuki D16/101
D446,537 S * 8/2001 Petravic D16/220
D475,381 S * 6/2003 Komatsu D16/202
D481,404 S * 10/2003 Ng D16/202
D487,104 S * 2/2004 Obata D16/202
D501,865 S * 2/2005 Li D16/212
D503,182 S * 3/2005 Ogura D16/202
6,889,006 B2 5/2005 Kobayashi

D509,235 S * 9/2005 Imai D16/202
D537,765 S * 3/2007 Porter D12/193
D577,050 S * 9/2008 Dayan D16/218
D605,680 S * 12/2009 Okada D16/218
D606,108 S * 12/2009 Feinbloom D16/220
7,677,815 B2 * 3/2010 Lane G03B 17/04
348/373

(Continued)

FOREIGN PATENT DOCUMENTS

CN 201173987 12/2008
JP 2007206137 8/2007

OTHER PUBLICATIONS

Evoko Groupie, posted at Evoko.se, posting date Sep. 5, 2016, [online], [site visited Jun. 19, 2017]. Available from Internet, <URL: <https://www.evoko.se/wp-content/uploads/2014/04/Evoko-Groupie-Product-sheet-v0.1.pdf>>.*

Primary Examiner — Susan E Krakower

Assistant Examiner — L. A. Grabenstetter

(74) *Attorney, Agent, or Firm* — Brooks Kushman P.C.

(57) **CLAIM**

The ornamental design for an accessory for a camera lens, as shown and described.

DESCRIPTION

FIG. 1 is a front side elevational view of our accessory for a camera lens;

FIG. 2 is a left side elevational view;

FIG. 3 is a rear side elevational view;

FIG. 4 is a right side elevational view;

FIG. 5 is a top plan view;

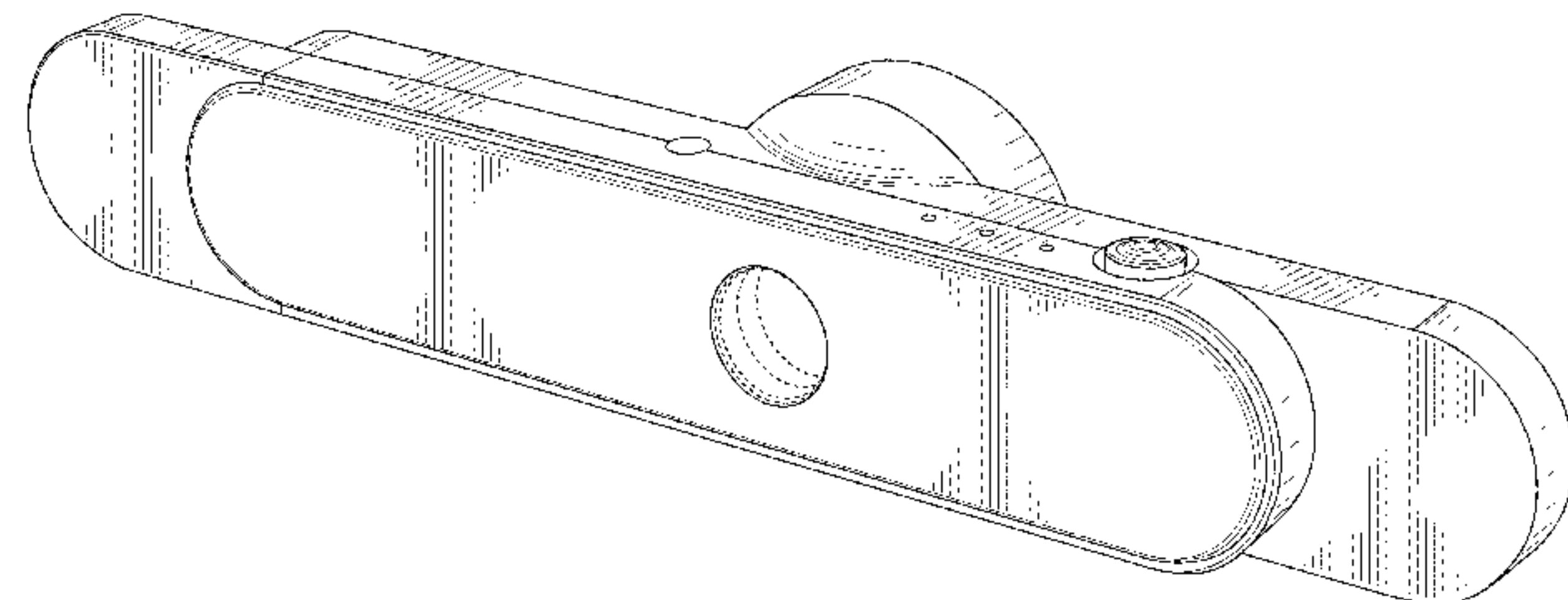
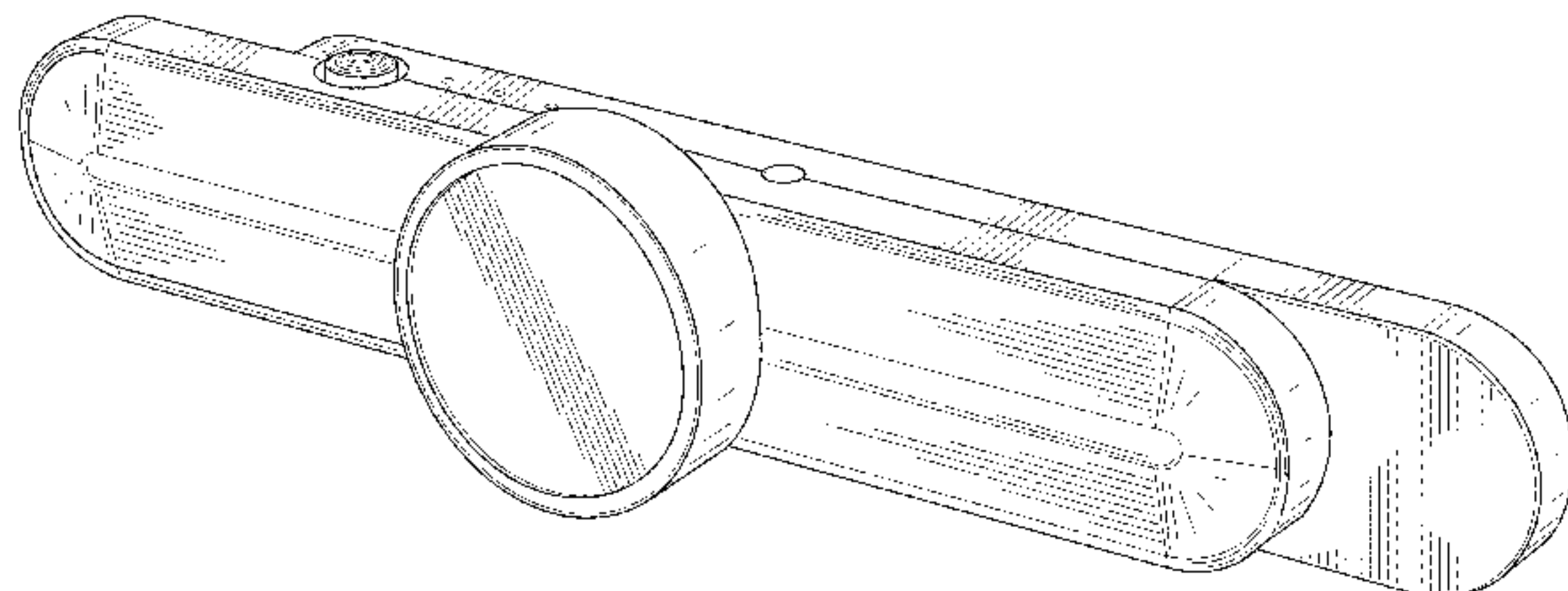
FIG. 6 is a bottom plan view;

FIG. 7 is a front perspective view; and,

FIG. 8 is a rear perspective view.

The broken lines represent unclaimed portion of the accessory for a camera lens.

1 Claim, 8 Drawing Sheets



(56)

References Cited

U.S. PATENT DOCUMENTS

8,073,324	B2	12/2011	Tsai	
8,194,132	B2 *	6/2012	Dayan	B60K 35/00 340/435
8,279,544	B1	10/2012	O'Neill	
D690,757	S *	10/2013	Bart	D16/203
D697,958	S *	1/2014	O'Neill	D16/134
D698,380	S *	1/2014	Fletcher	D16/202
D716,360	S *	10/2014	Schechter	D16/208
8,891,187	B2	11/2014	O'Neill	
D730,969	S *	6/2015	O'Neill	D16/219
D734,804	S *	7/2015	Chung	D12/193
2004/0218081	A1	11/2004	Lohr et al.	
2007/0280677	A1	12/2007	Drake et al.	
2009/0181729	A1	7/2009	Griffin, Jr. et al.	
2013/0002939	A1	1/2013	O'Neill	

* cited by examiner

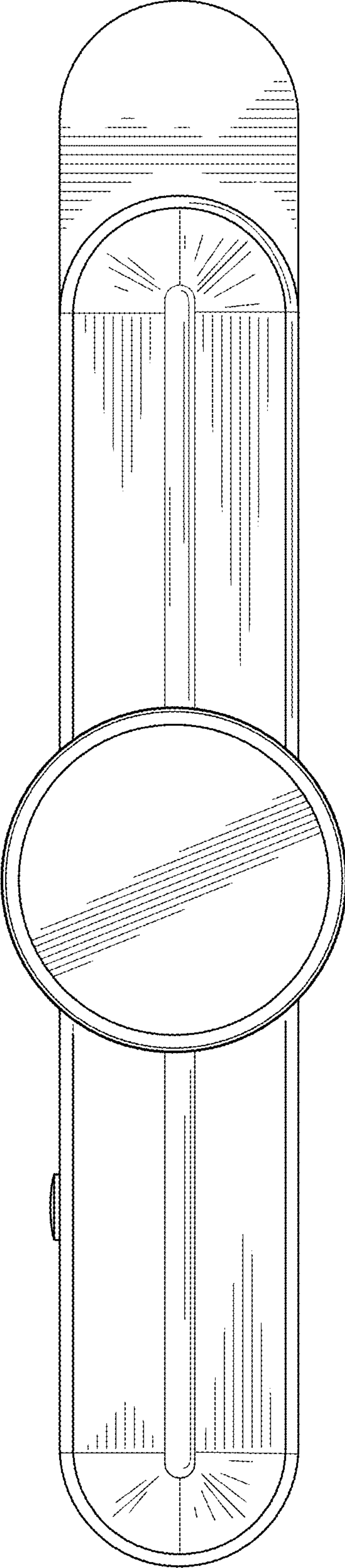


FIG. 1

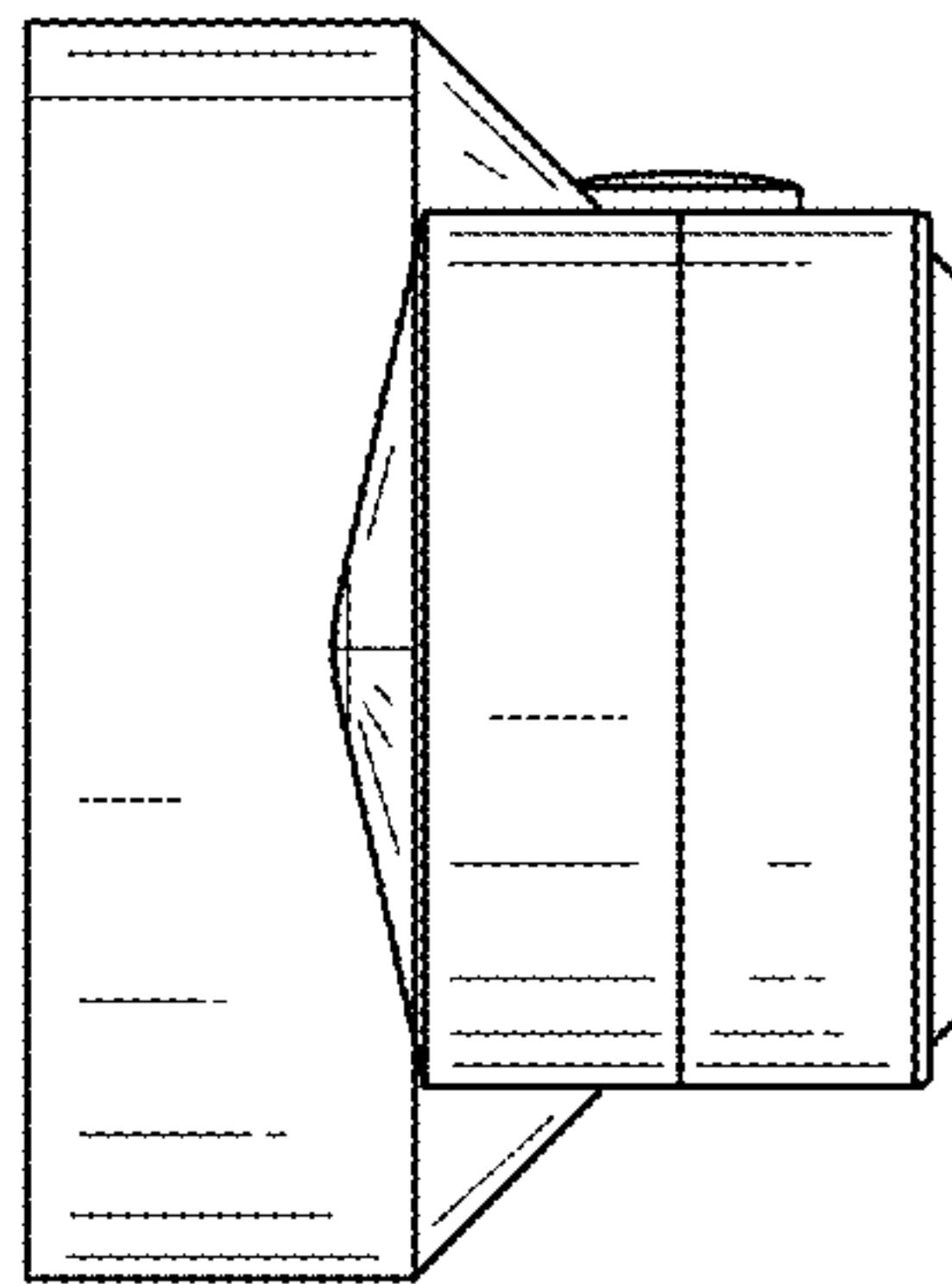


FIG. 2

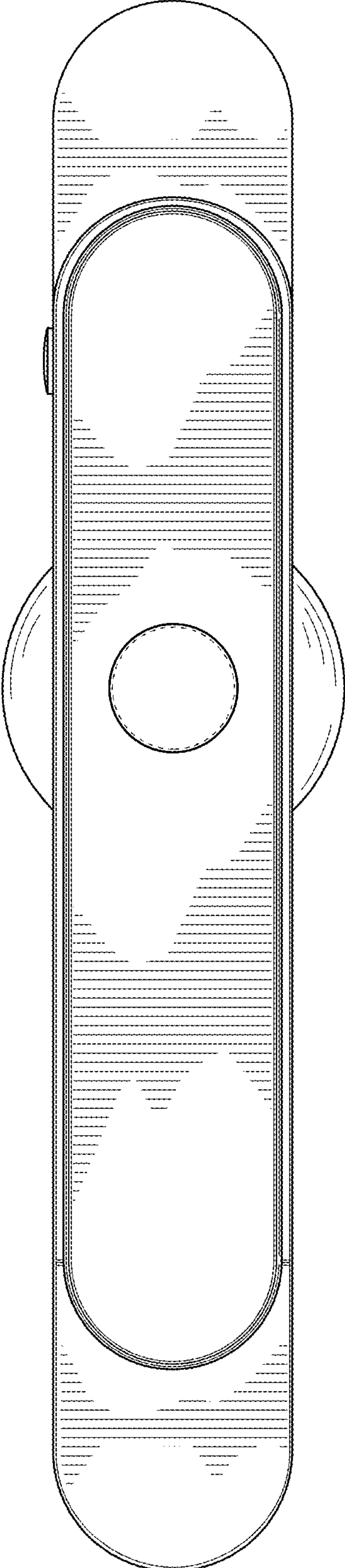


FIG. 3

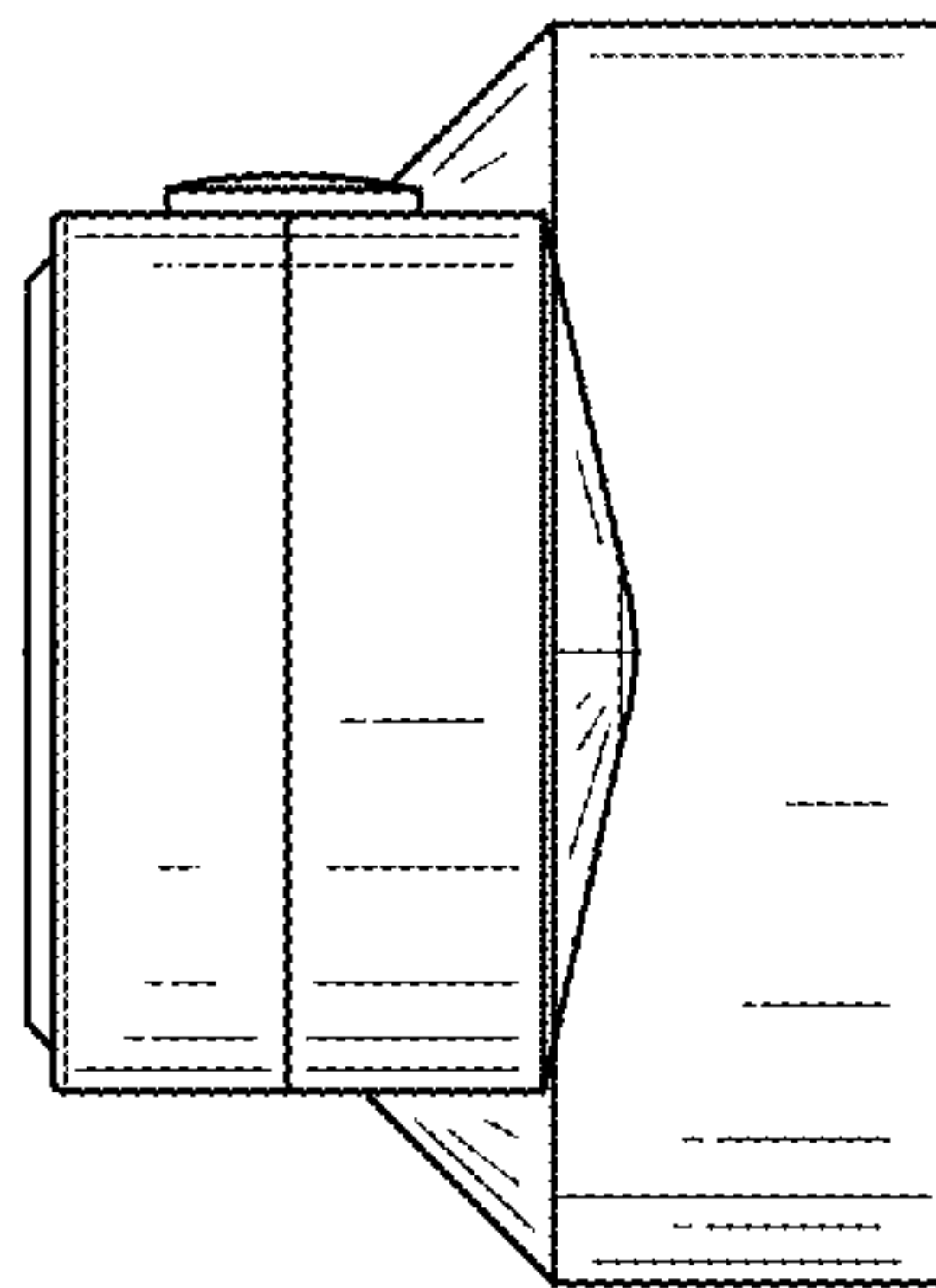


FIG. 4

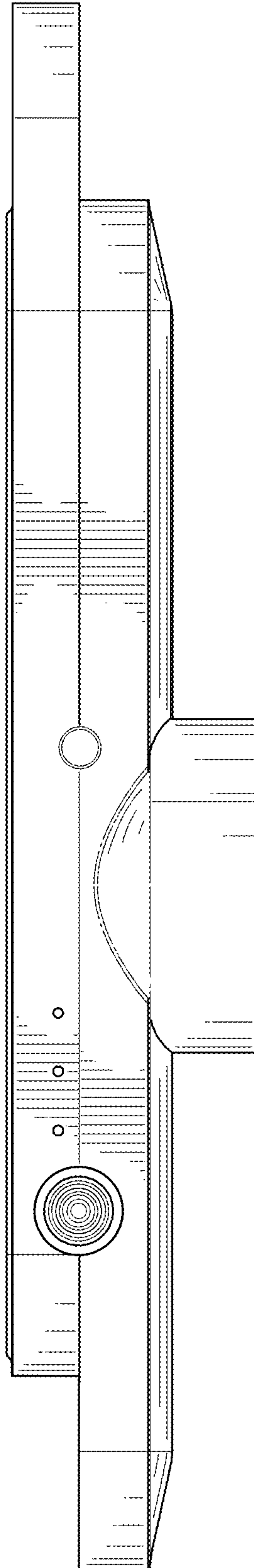


FIG. 5

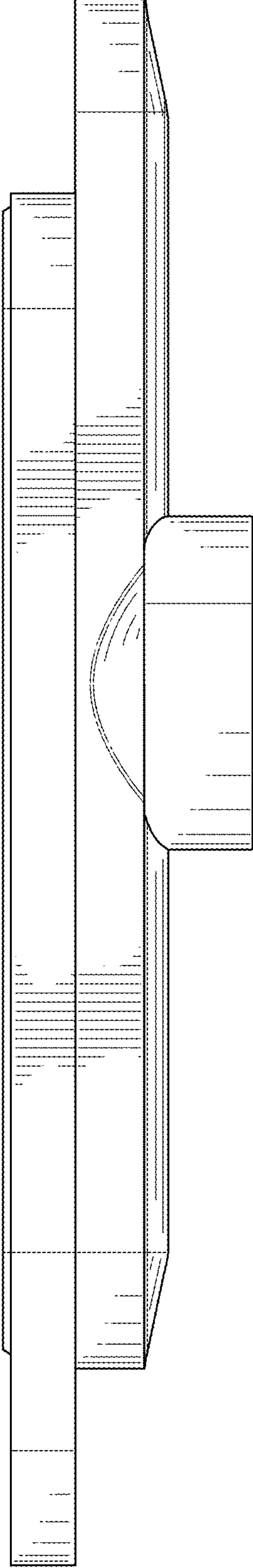


FIG. 6

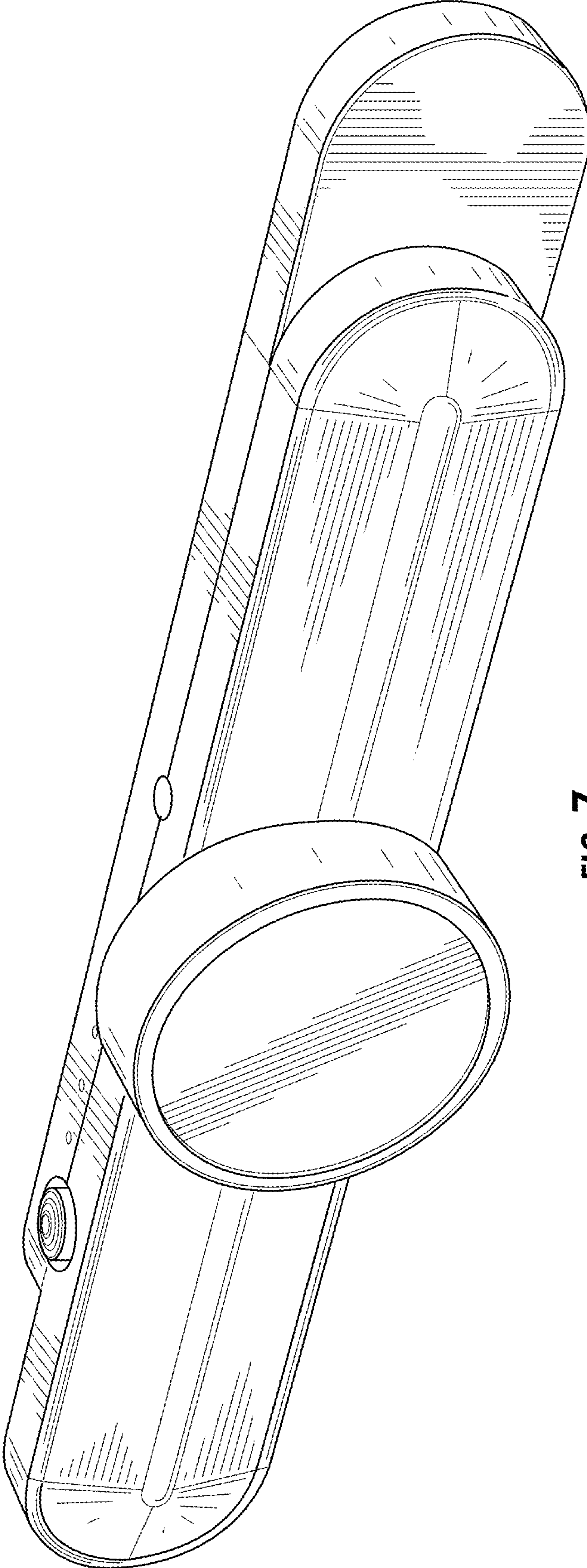


FIG. 7

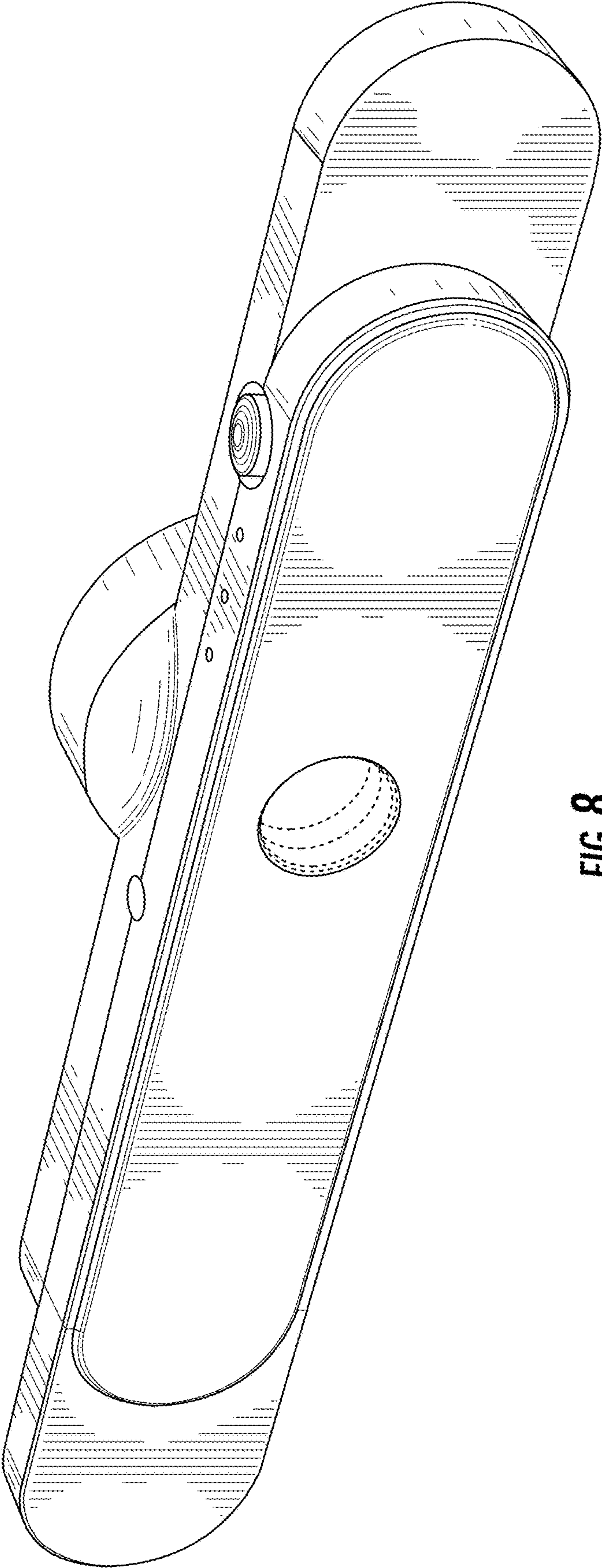


FIG. 8